



US00D882424S

(12) **United States Design Patent** (10) **Patent No.:** **US D882,424 S**
Simpson et al. (45) **Date of Patent:** **** Apr. 28, 2020**

(54) **CREDIT CARD-SIZE LOW-E DETECTION DEVICE FOR POSITIONING OF THE DEVICE AGAINST A GLASS**

(71) Applicant: **EDTM, Inc.**, Toledo, OH (US)

(72) Inventors: **Jeffrey A. Simpson**, Wayne, NE (US);
Mark A. Imbrock, Sylvania, OH (US);
Jed Martens, Anthon, IA (US); **Nathan Strimpel**, Toledo, OH (US)

(73) Assignee: **EDTM, Inc.**, Toledo, OH (US)

(**) Term: **15 Years**

(21) Appl. No.: **29/653,803**

(22) Filed: **Jun. 19, 2018**

(51) **LOC (12) Cl.** **10-04**

(52) **U.S. Cl.**
USPC **D10/47; D10/78**

(58) **Field of Classification Search**
USPC D10/47, 78
CPC F25D 19/006; G01T 1/244; G01T 1/00;
G01T 1/003; G01T 1/006; G01T 1/02;
G01T 1/023; G01T 1/026; G01T 1/04;
G01T 1/06; G01T 1/08; G01T 1/10;
G01T 1/105; G01T 1/11; G01T 1/115;
G01T 1/12; G01T 1/14; G01T 1/142;
G01T 1/15; G01T 1/16; G01T 1/1603;
G01T 1/1606; G01T 1/161; G01T 1/1611;
G01T 1/1612; G01T 1/1614; G01T
1/1615; G01T 1/1617; G01T 1/1618;
G01T 1/163; G01T 1/1635; G01T 1/164;
G01T 1/1641; G01T 1/1642; G01T
1/1644; G01T 1/1645; G01T 1/1647;
G01T 1/1648; G01T 1/166; G01T 1/1663;
G01T 1/1666; G01T 1/167; G01T 1/169;
G01T 1/17; G01T 1/171; G01T 1/172;
G01T 1/175; G01T 1/178; G01T 1/18;
G01T 1/185; G01T 1/20; G01T 1/2002;
G01T 1/2004; G01T 1/2006; G01T
1/2008; G01T 1/201; G01T 1/2012; G01T
1/2014; G01T 1/2016; G01T 1/2018;

G01T 1/202; G01T 1/2023; G01T 1/2026;
G01T 1/203; G01T 1/2033; G01T 1/2036;
G01T 1/204; G01T 1/2042; G01T 1/2045;
G01T 1/2047; G01T 1/205; G01T 1/208;
G01T 1/22; G01T 1/24; G01T 1/241;
G01T 1/242; G01T 1/243; G01T 1/245;
G01T 1/246; G01T 1/247; G01T 1/248;
G01T 1/249; G01T 1/26; G01T 1/28;
G01T 1/29; G01T 1/2907; G01T 1/2914;
G01T 1/2921; G01T 1/2928;

(Continued)

(56) **References Cited**

U.S. PATENT DOCUMENTS

D490,326 S * 5/2004 Saubolle D10/47
6,781,134 B1 * 8/2004 Murray G01T 7/00
250/370.12

(Continued)

Primary Examiner — Antoine Duval Davis

(74) *Attorney, Agent, or Firm* — MacMillan, Sobanski & Todd, LLC

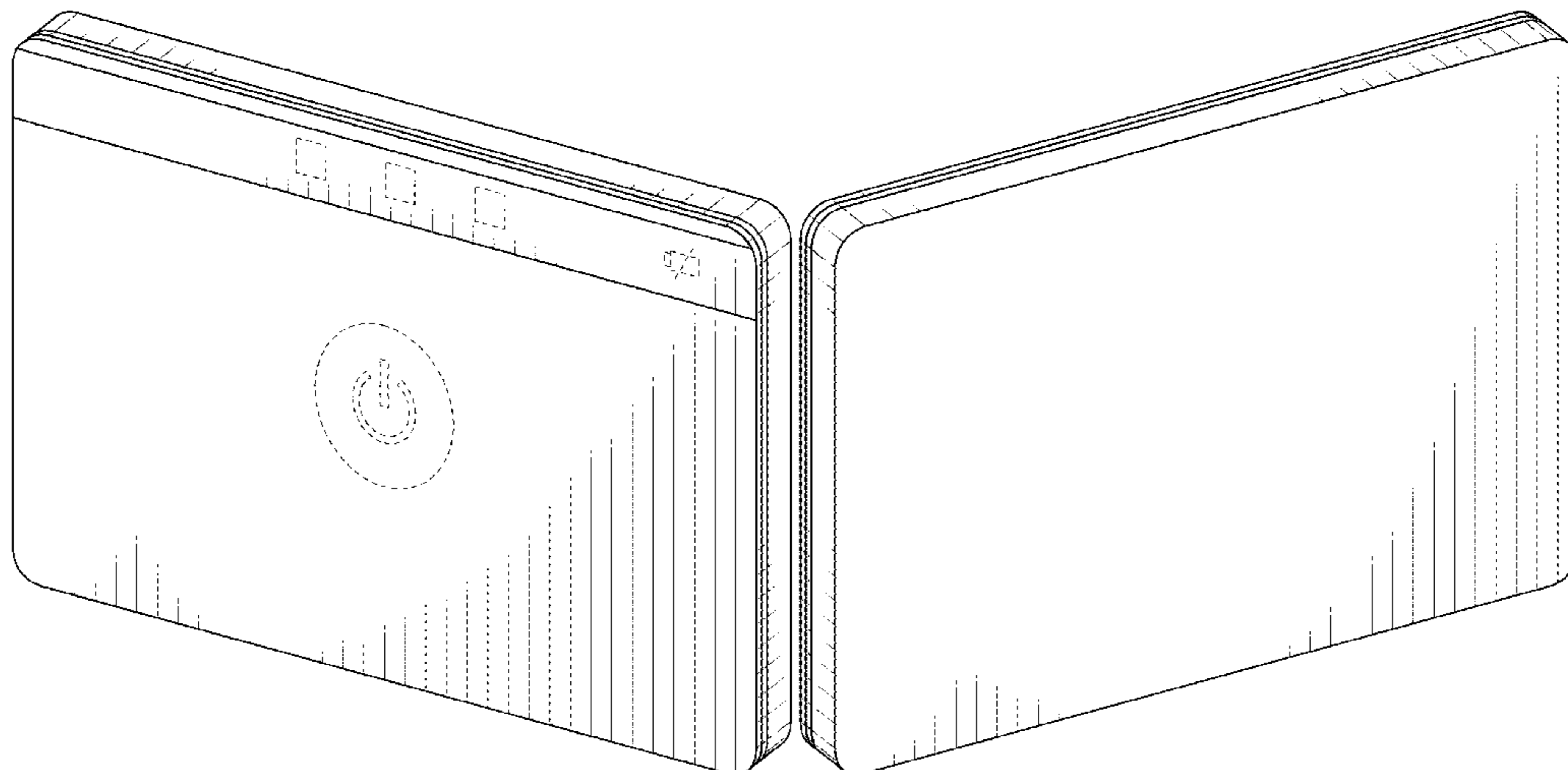
(57) **CLAIM**

The ornamental designs for a credit card-size low-E detection device for positioning of the device against a glass, as shown and described.

DESCRIPTION

FIG. 1 is a perspective front elevational view of a credit card-size low-E detection device for positioning of the device against a glass according to one embodiment; FIG. 2 is a top plan view of the embodiment; FIG. 3 is a back plan view of the embodiment; FIG. 4 is a side elevational of the embodiment; FIG. 5 is an elevational view of the embodiment; and, FIG. 6 is a back perspective view of the embodiment. The broken lines in the Figures are included for the purpose of illustrating portions of the embodiments that form no part of the claimed design.

1 Claim, 4 Drawing Sheets



(58) **Field of Classification Search**

CPC G01T 1/2935; G01T 1/2942; G01T 1/295;
G01T 1/2957; G01T 1/2964; G01T
1/2971; G01T 1/2978; G01T 1/2985;
G01T 1/2992; G01T 1/30; G01T 1/32;
G01T 1/34; G01T 1/36; G01T 1/361;
G01T 1/362; G01T 1/363; G01T 1/365;
G01T 1/366; G01T 1/367; G01T 1/368;
G01T 1/38; G01T 1/40; G01T 3/00;
G01T 3/001; G01T 3/003; G01T 3/005;
G01T 3/006; G01T 3/008; G01T 3/02;
G01T 3/04; G01T 3/06; G01T 3/065;
G01T 3/08; G01T 3/085; G01T 5/00;
G01T 5/002; G01T 5/004; G01T 5/006;
G01T 5/008; G01T 5/02; G01T 5/04;
G01T 5/06; G01T 5/08; G01T 5/10;
G01T 5/12; G01T 5/122; G01T 5/125;
G01T 5/127; G01T 7/00

See application file for complete search history.

(56) **References Cited**

U.S. PATENT DOCUMENTS

7,732,781 B2 * 6/2010 Burks G01T 1/244
250/339.03
D866,498 S * 11/2019 Mercer D14/138 G

* cited by examiner

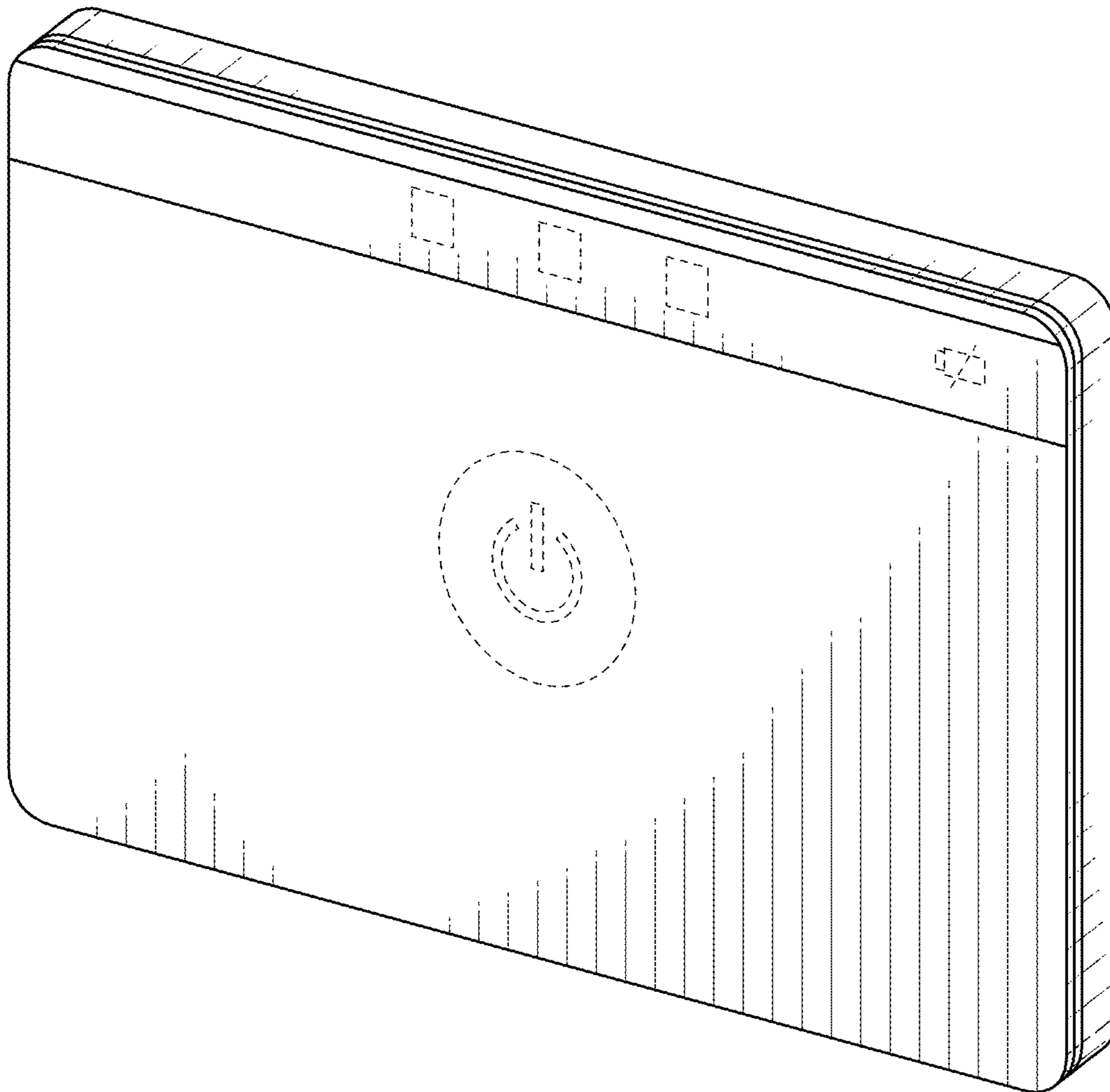


FIG. 1

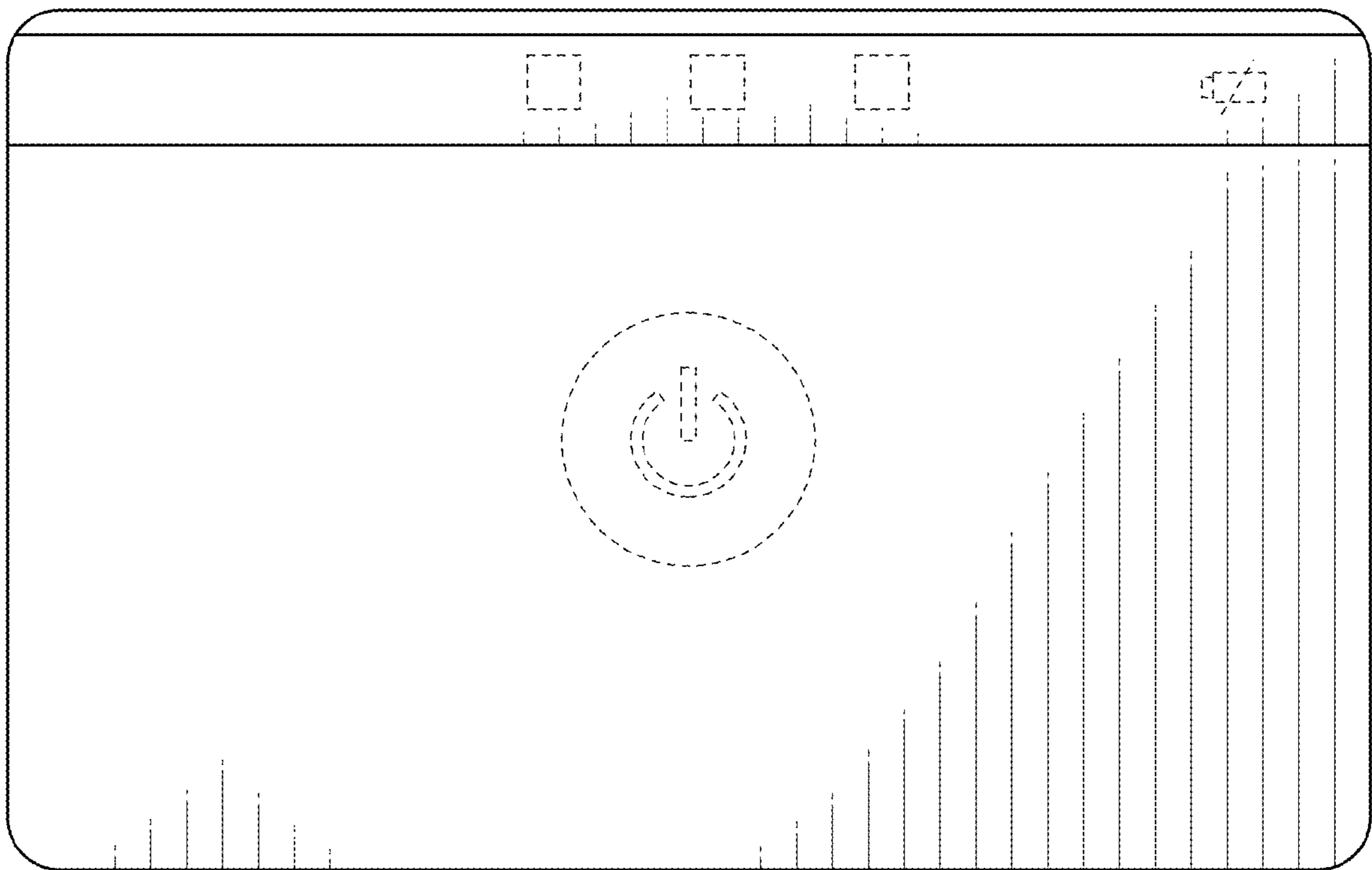


FIG. 2

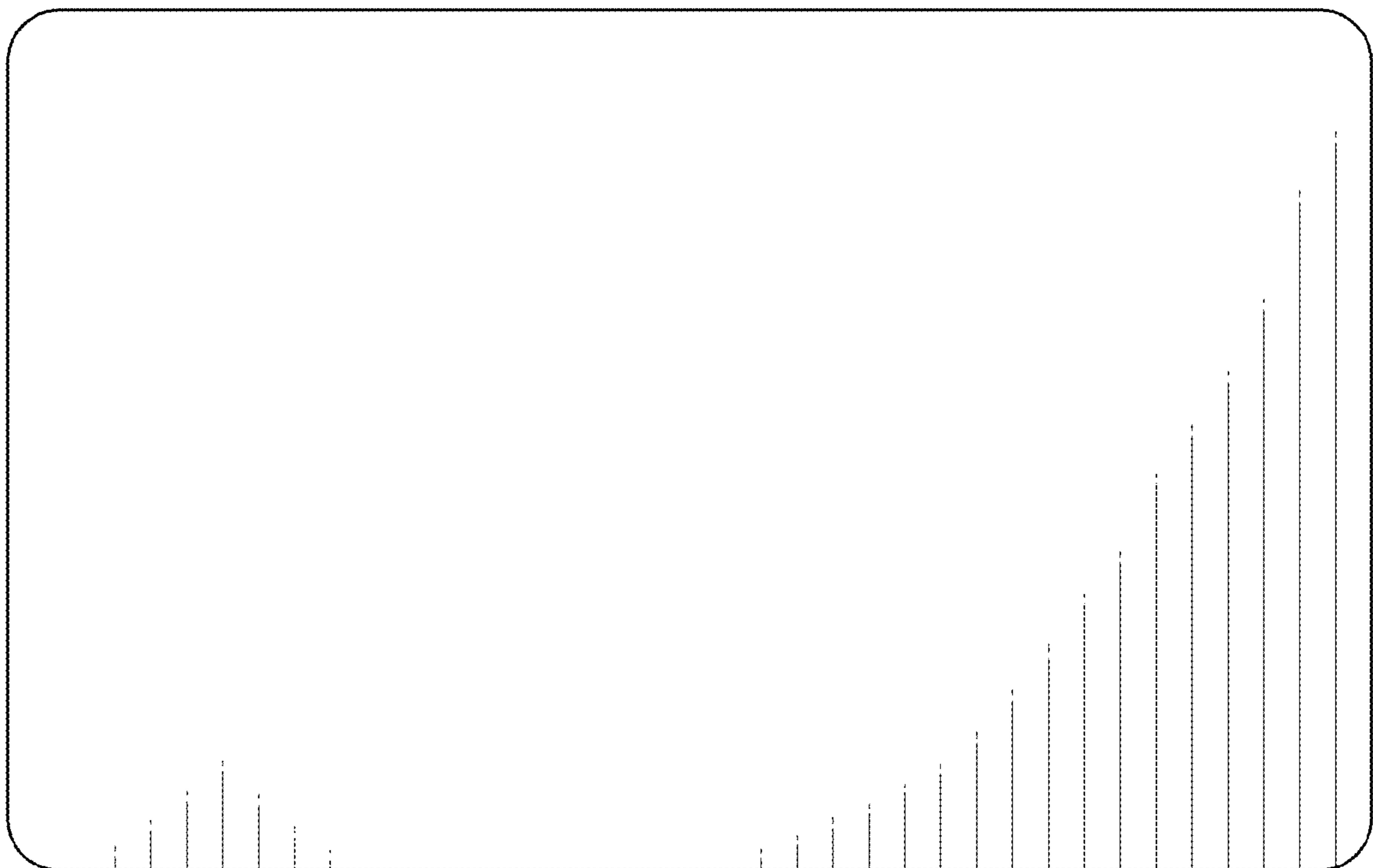


FIG. 3



FIG. 4

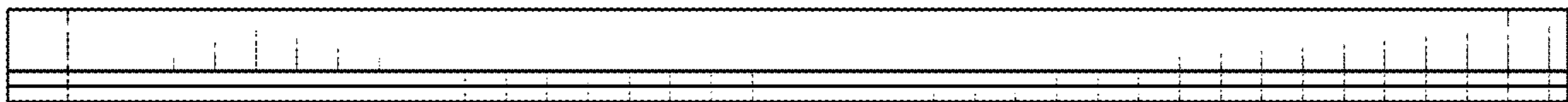


FIG. 5

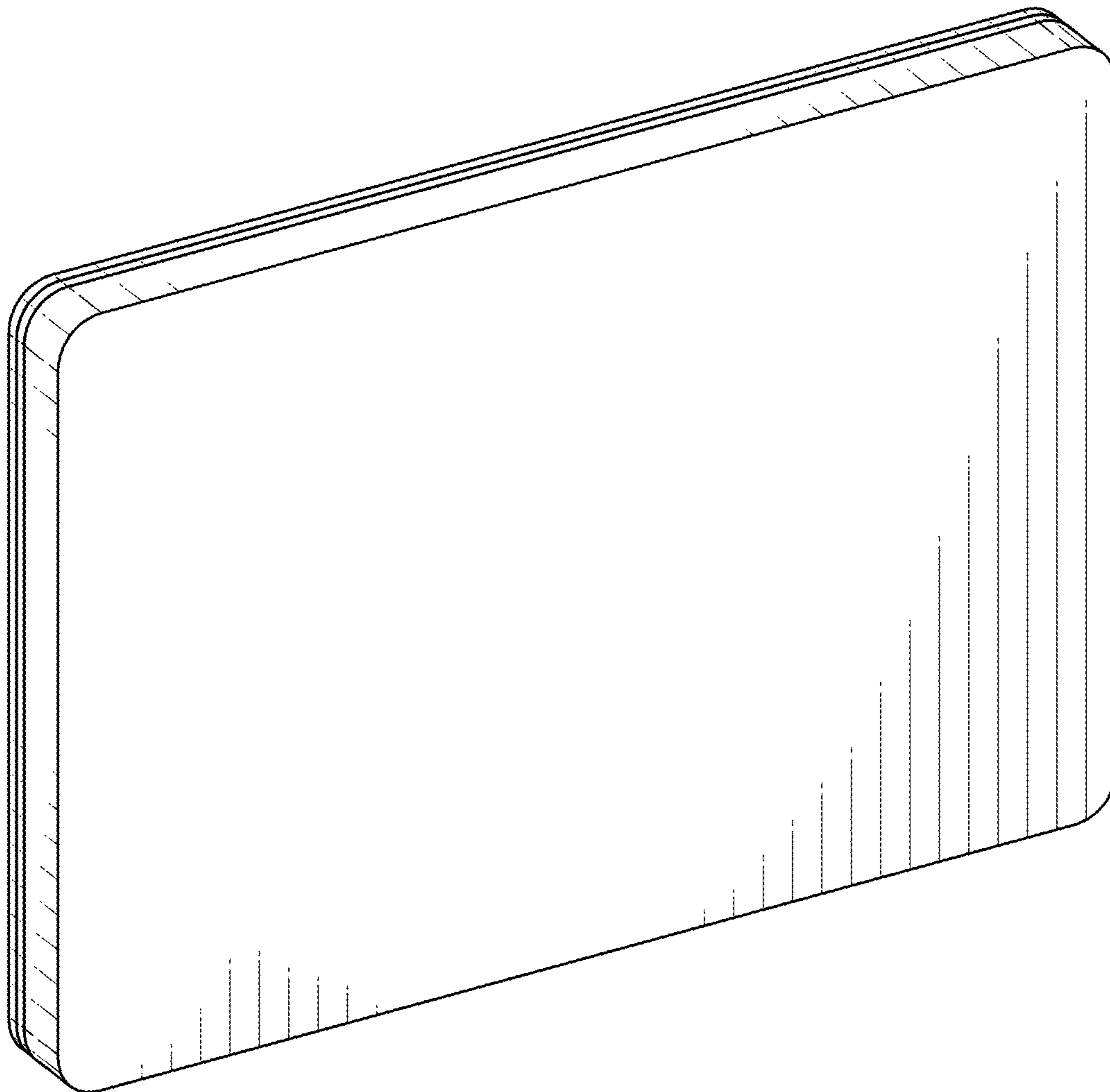


FIG. 6