



US00D882421S

(12) **United States Design Patent**
Herrmann

(10) **Patent No.:** **US D882,421 S**

(45) **Date of Patent:** **** Apr. 28, 2020**

(54) **WATCH CASE**

(71) Applicant: **Richemont International SA,**
Villars-sur-Glane (CH)

(72) Inventor: **Camille Herrmann,** Gland (CH)

(73) Assignee: **Richemont International SA,**
Villars-sur-Glane (CH)

(**) Term: **15 Years**

(21) Appl. No.: **29/673,630**

(22) Filed: **Dec. 17, 2018**

(30) **Foreign Application Priority Data**

Jun. 18, 2018 (WO) DM/101710

(51) **LOC (12) Cl.** **10-02**

(52) **U.S. Cl.**
USPC **D10/38**

(58) **Field of Classification Search**

USPC D10/30, 31, 32, 33, 34, 35, 36, 37, 38,
D10/39, 122, 123, 124, 126, 128, 132;
D11/1, 2, 3, 12

CPC G04B 1/00; G04B 19/00; G04B 19/26;
G04B 19/06; G04B 19/10; G04B 19/18;
G04B 19/106; G04B 19/12; G04B 19/20;
G04B 19/22; G04B 19/21; G04B 17/28;
G04B 17/285

See application file for complete search history.

(56) **References Cited**

U.S. PATENT DOCUMENTS

D318,810 S * 8/1991 Bourquin D10/39
D326,232 S * 5/1992 Kurebayashi D10/39

D373,957 S * 9/1996 Mareschal D10/30
D421,922 S * 3/2000 Wunderman D10/39
D676,338 S * 2/2013 Jacquerye D10/39
D759,511 S * 6/2016 Belamich D10/126
D762,491 S * 8/2016 Okazaki D10/126
D768,512 S * 10/2016 Ruffieux D10/32
D771,506 S * 11/2016 Basargin D10/32
D834,953 S * 12/2018 Agayev D10/30

FOREIGN PATENT DOCUMENTS

WO WO-D100349-001 * 3/2018

* cited by examiner

Primary Examiner — Sheryl Lane

Assistant Examiner — Samantha N Wood

(74) *Attorney, Agent, or Firm* — Taft Stettinius &
Hollister LLP

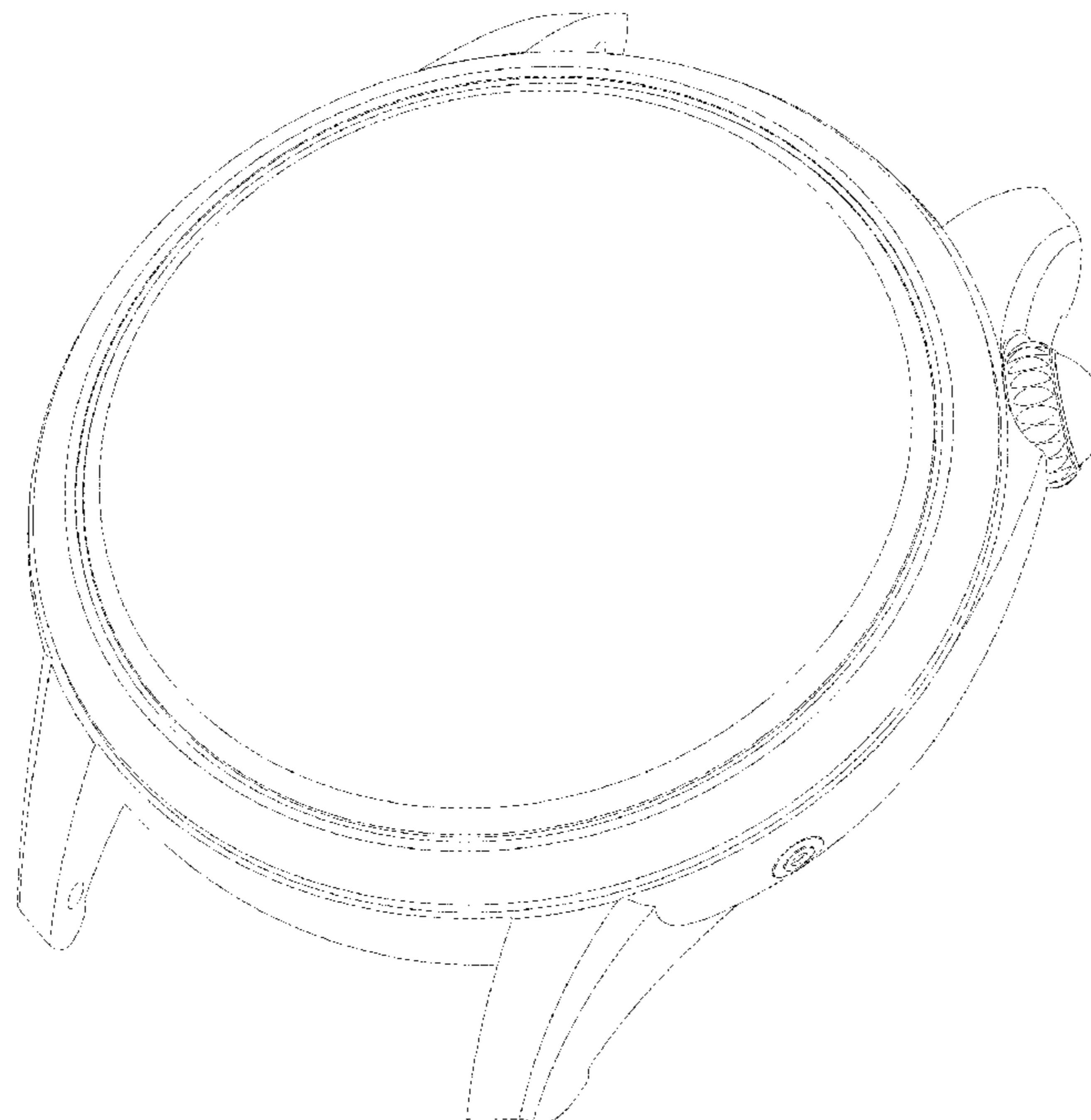
(57) **CLAIM**

The ornamental design for a watch case, as shown and described.

DESCRIPTION

FIG. 1 is a front elevational view of a watch case showing my new design;
FIG. 2 is a back elevational view thereof;
FIG. 3 is a right side elevational view thereof;
FIG. 4 is a left side elevational view thereof;
FIG. 5 is a bottom plan view thereof;
FIG. 6 is a top plan view thereof;
FIG. 7 is a front, right side perspective view thereof; and,
FIG. 8 is a back, left side perspective view thereof.

1 Claim, 8 Drawing Sheets



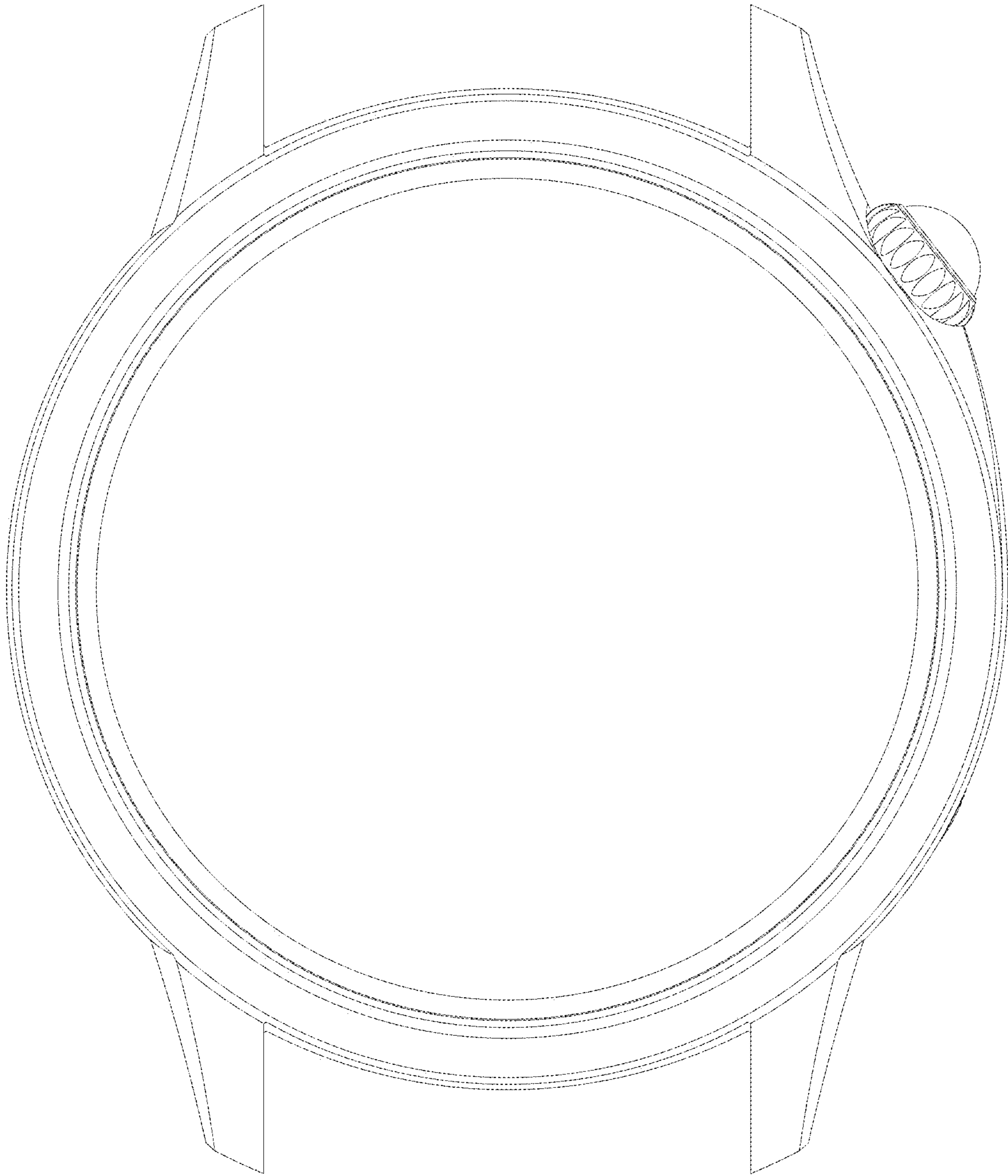


Fig. 1

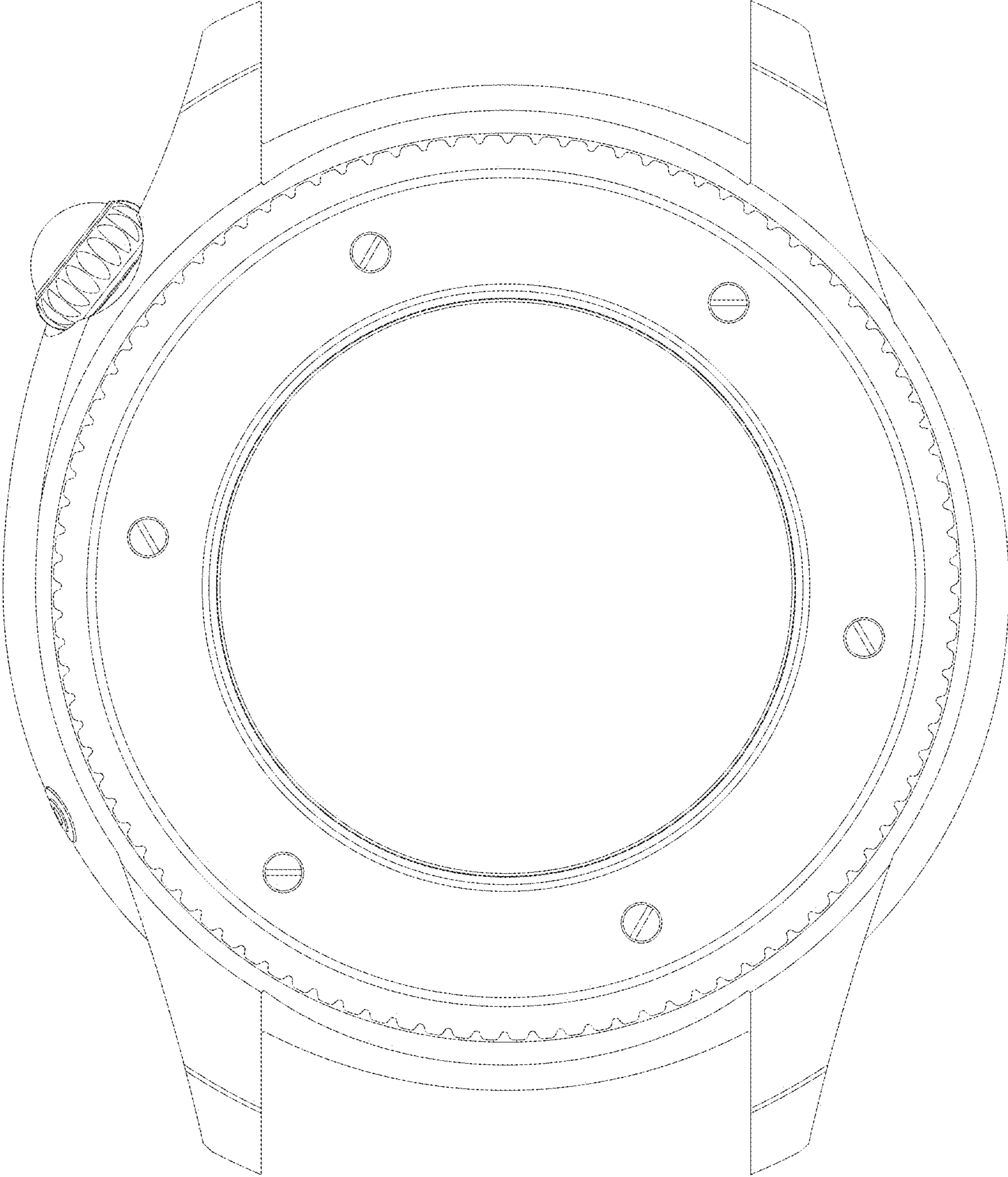


Fig. 2

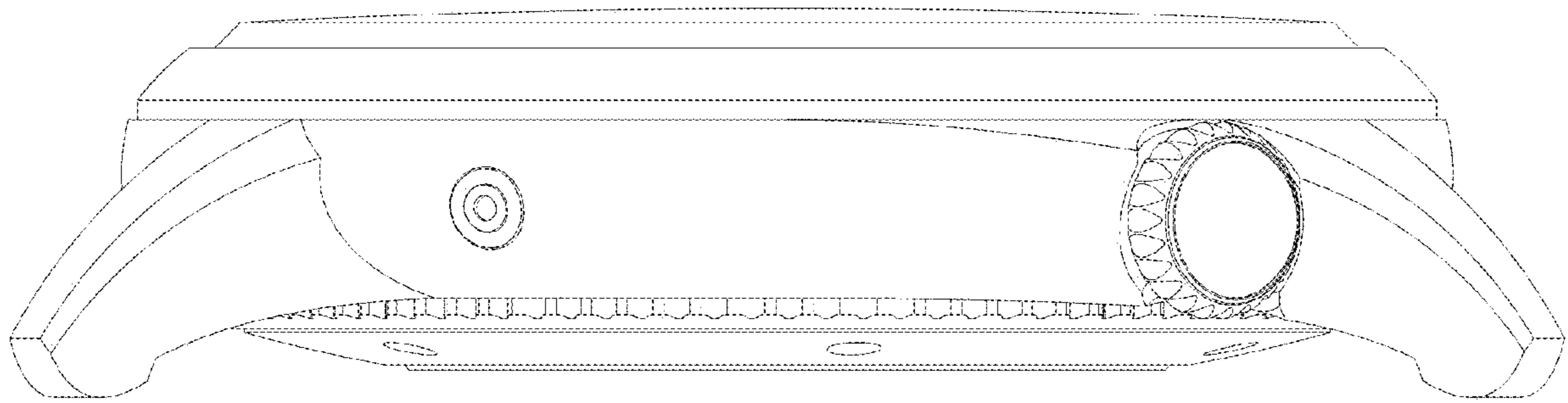


Fig. 3

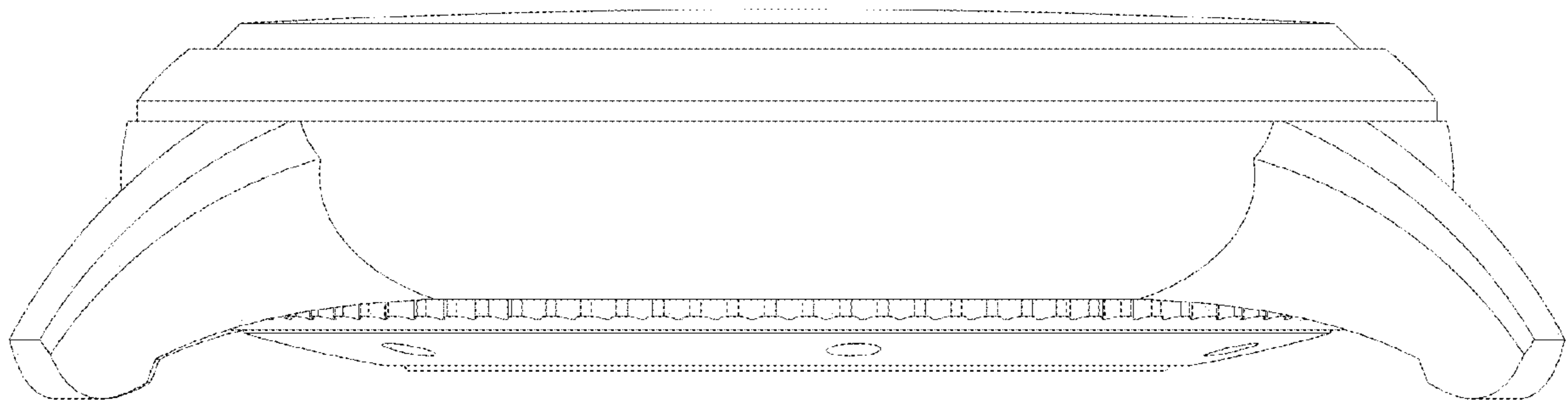


Fig. 4

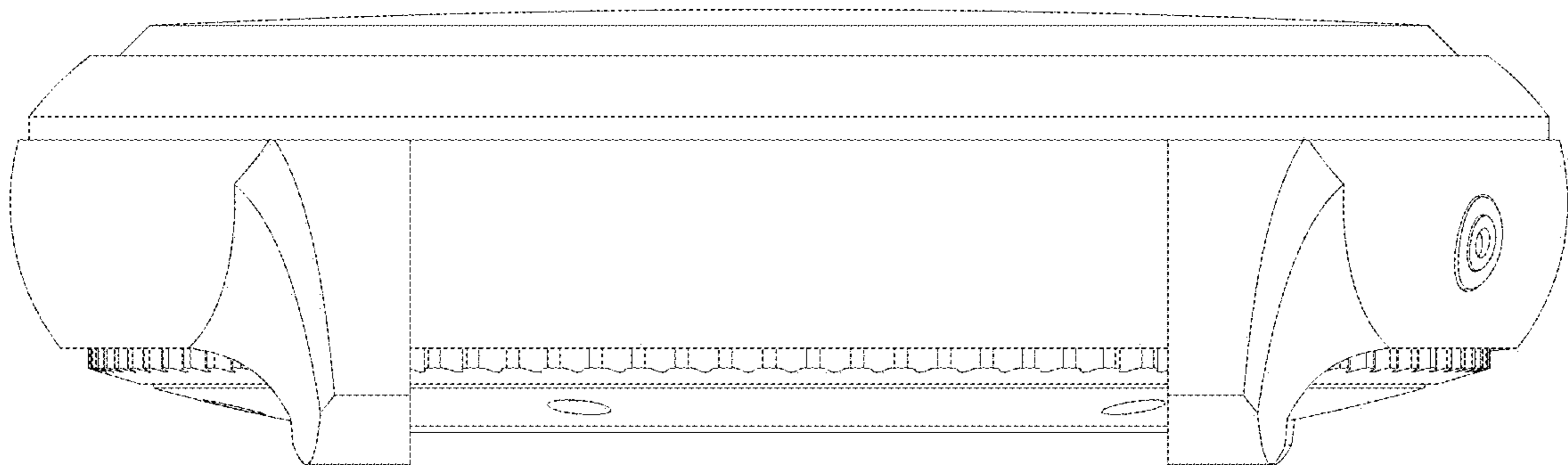


Fig. 5

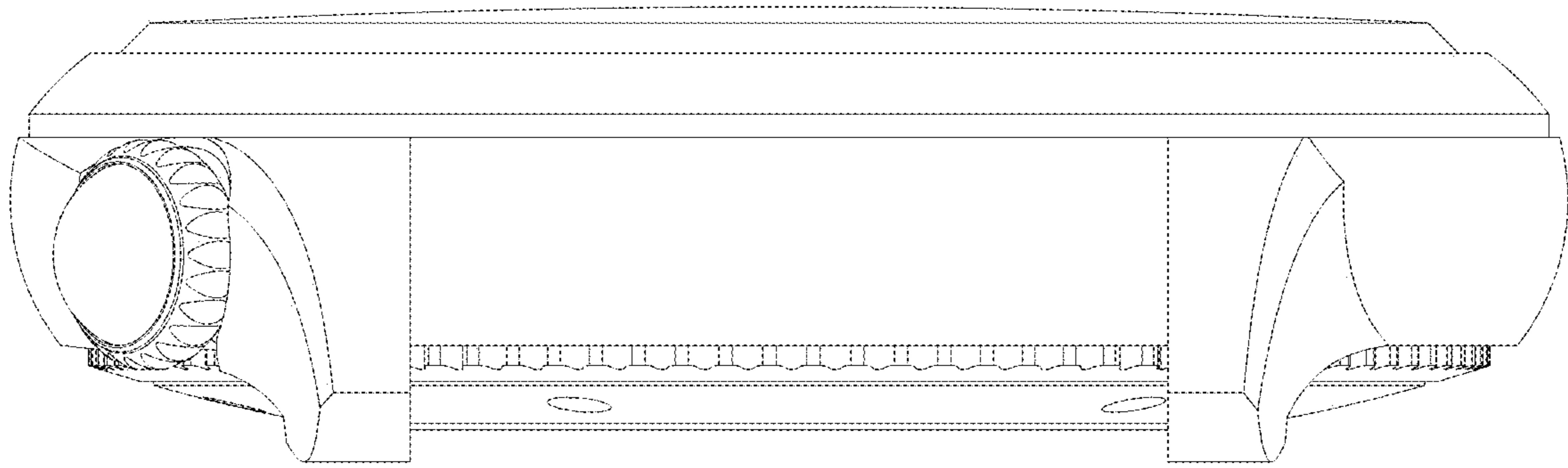


Fig. 6

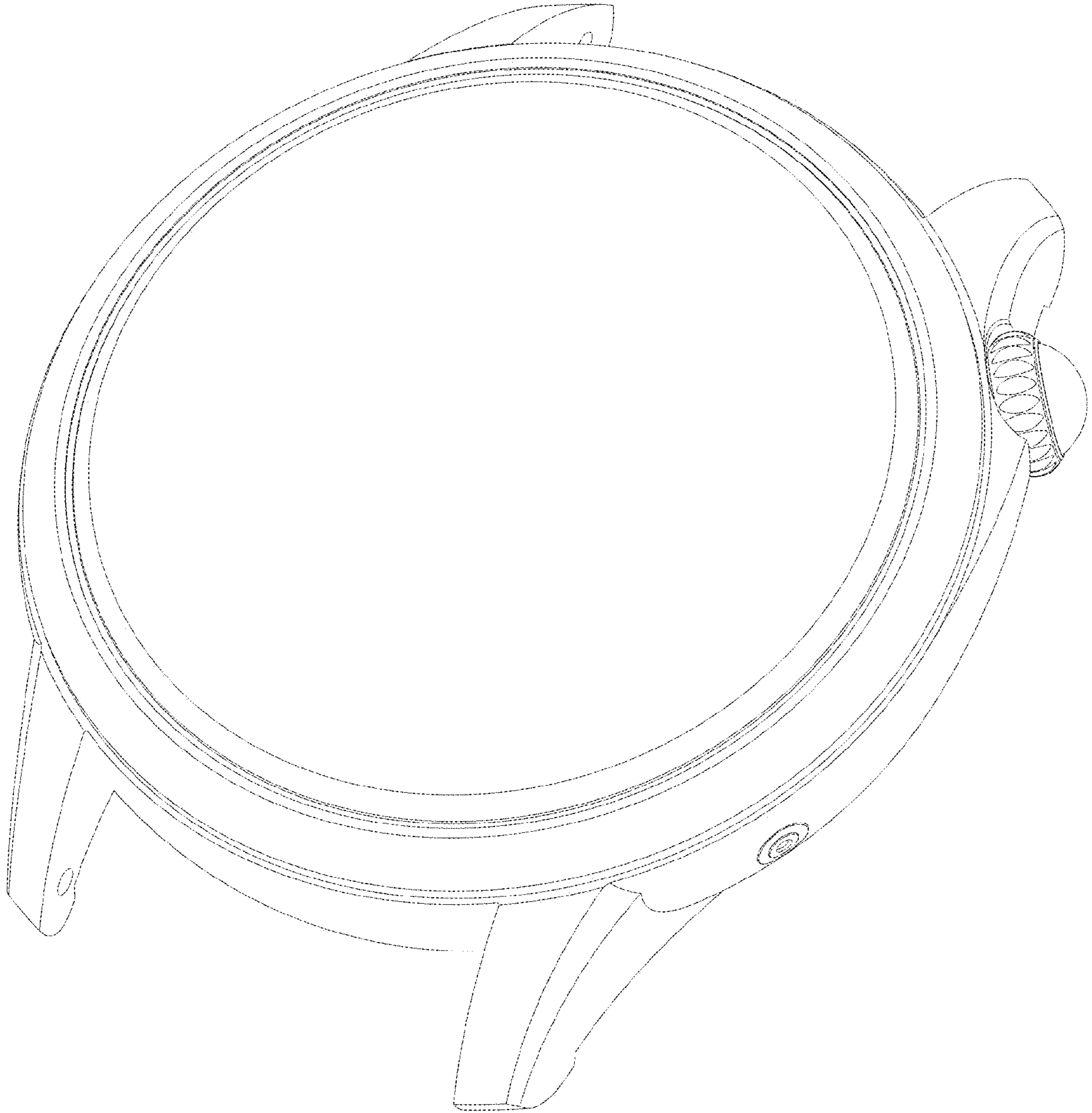


Fig. 7

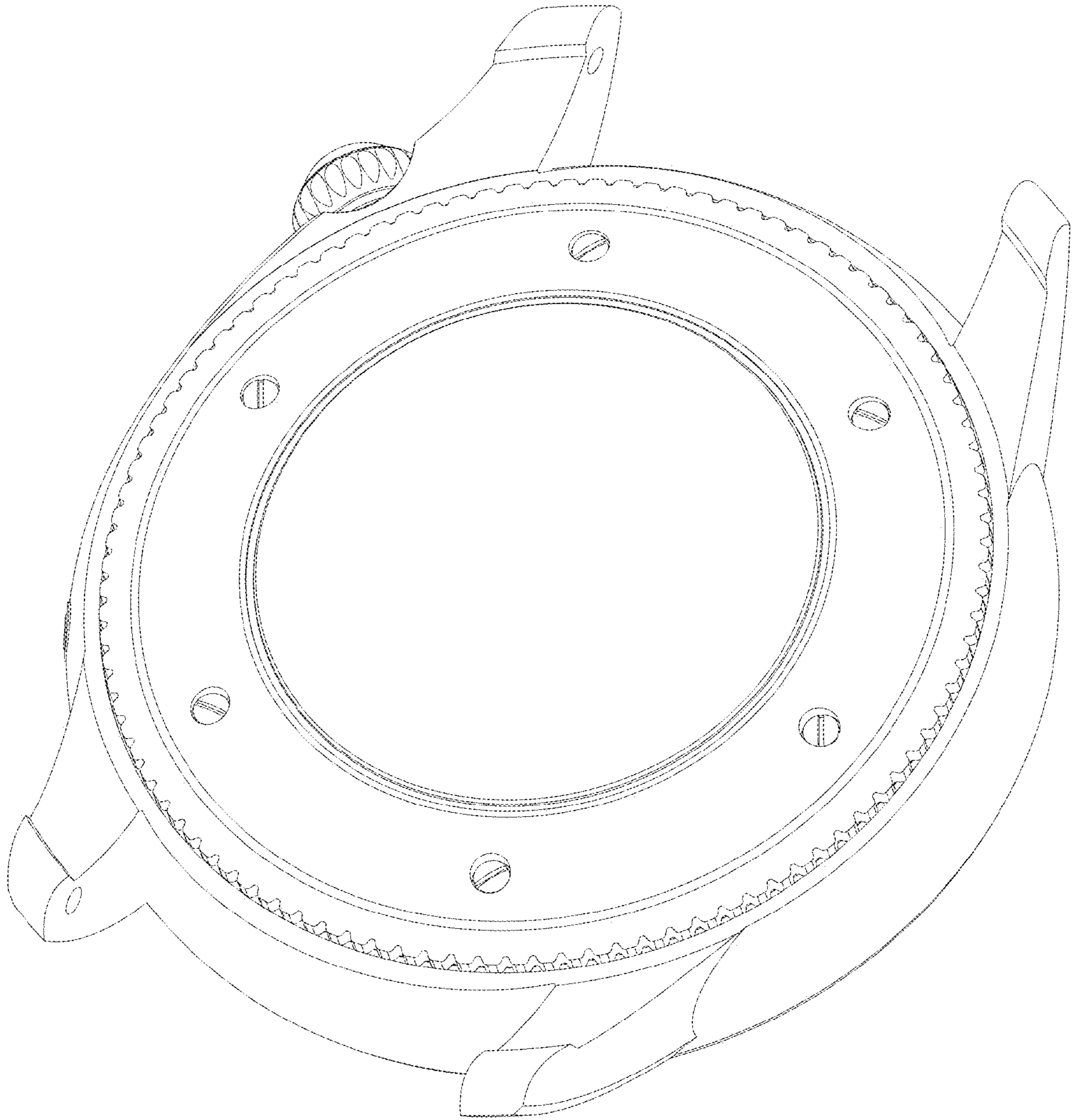


Fig. 8