

US00D882416S

(12) **United States Design Patent** (10) **Patent No.:** **US D882,416 S**
Duarte de Castro et al. (45) **Date of Patent:** **** Apr. 28, 2020**

- (54) **HERB MAILING CONTAINER WITH ROOT POCKET**
- (71) Applicants: **Tiago Dias Duarte de Castro**, Thermal, CA (US); **Suzette Overgaag**, Thermal, CA (US)
- (72) Inventors: **Tiago Dias Duarte de Castro**, Thermal, CA (US); **Suzette Overgaag**, Thermal, CA (US)
- (**) Term: **15 Years**
- (21) Appl. No.: **29/666,703**
- (22) Filed: **Oct. 15, 2018**
- (51) **LOC (12) Cl.** **09-03**
- (52) **U.S. Cl.**
USPC **D9/737**
- (58) **Field of Classification Search**
USPC D9/418, 420, 424-426, 737, 759, 761; D7/538, 539, 541, 555, 556, 571, 601, D7/702, 703, 628, 629; D3/201, 270, D3/271.1, 273, 294, 295, 302, 901, 903; 220/575, 500; 206/6.1, 822; 229/406, 229/407, 116.1, 116.2, 120.02
CPC B65D 43/169; B65D 45/00; B65D 1/36; B65D 2543/00194; B65D 2543/00296; B65D 2543/00555; B65D 2581/3425; B65D 25/04; B65D 43/0218; A47G 19/02; A47G 19/065; A47G 23/0608
See application file for complete search history.

4,189,868 A	2/1980	Tymchuck et al.	
4,242,835 A	1/1981	Mondragon Sorribes	
5,001,860 A	3/1991	Rudnick	
5,224,598 A	7/1993	Angeles et al.	
D342,896 S *	1/1994	Gottofredi	D9/425
D345,911 S *	4/1994	Elbaz	D9/425
D357,627 S	4/1995	Angeles et al.	
D368,030 S *	3/1996	Elbaz	D9/425
5,613,605 A	3/1997	Angeles et al.	
D398,844 S *	9/1998	Oberloier	D9/415
D454,493 S *	3/2002	Chung	D3/263
D474,020 S *	5/2003	Wang	D3/274
D504,065 S *	4/2005	Belser	D9/423
D538,639 S *	3/2007	Dunshee	D9/420
D596,935 S *	7/2009	Golota	D9/420
D627,221 S *	11/2010	Kovatch	D9/426
D665,254 S *	8/2012	Miller	D9/424
D788,926 S *	6/2017	Parlante	D24/176
9,771,188 B2 *	9/2017	Glassman	A45F 5/00
D814,316 S	4/2018	Overgaag	
D825,351 S *	8/2018	Buck	D9/761
2018/0064045 A1	3/2018	Overgaag	

* cited by examiner

Primary Examiner — W. A. Teddy Falloway
(74) *Attorney, Agent, or Firm* — Kirk A. Buhler; Buhler & Associates Patenting

(57) **CLAIM**

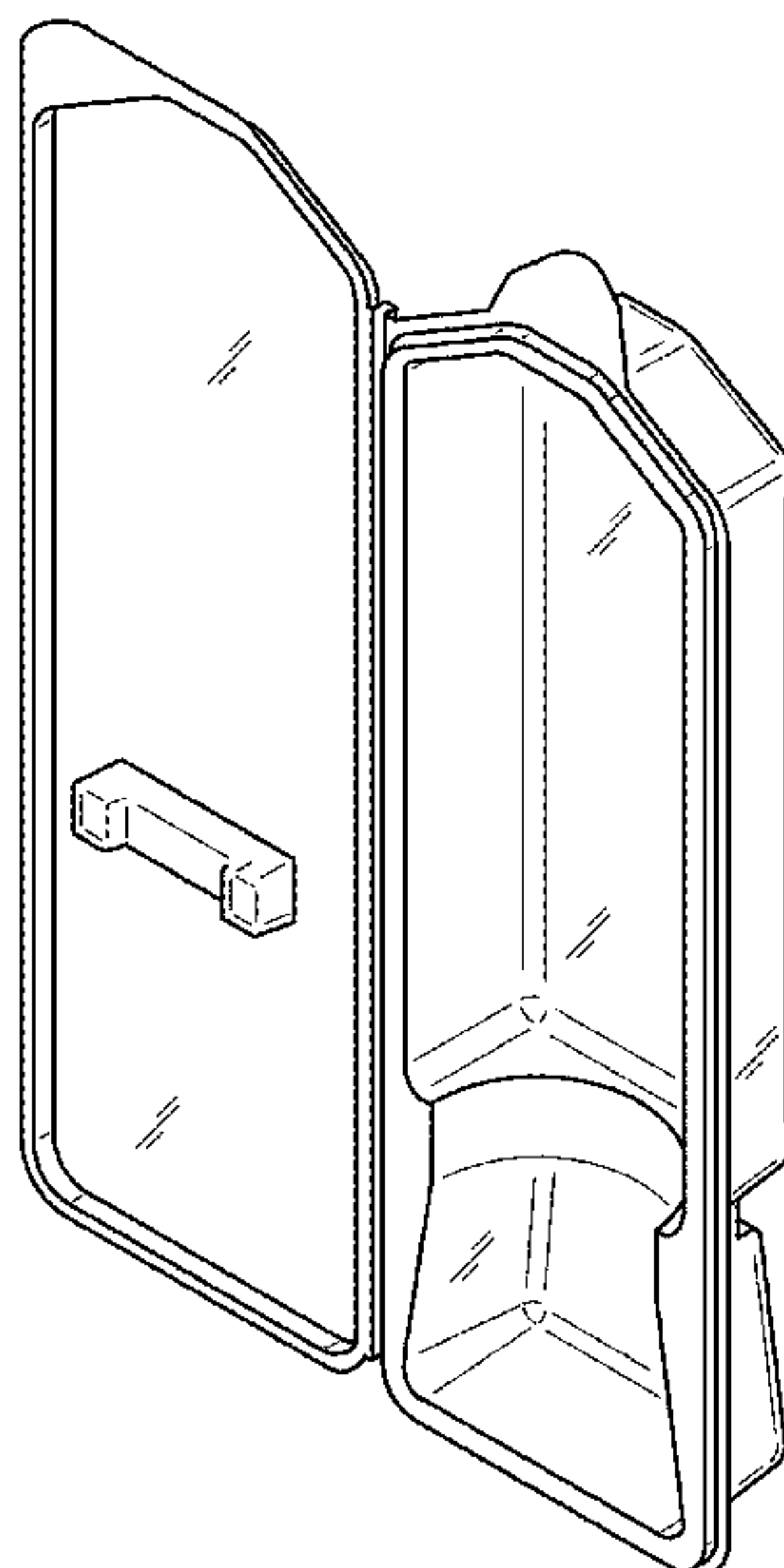
The ornamental design for an herb mailing container with root pocket, as shown.

DESCRIPTION

FIG. 1 is a front top perspective view of an herb mailing container with root pocket showing our new design;
FIG. 2 is a front elevation view thereof;
FIG. 3 is a rear elevation view thereof;
FIG. 4 is a left side elevation view thereof;
FIG. 5 is a right side elevation view thereof;
FIG. 6 is a top plan view thereof; and,
FIG. 7 is a bottom view thereof.

1 Claim, 5 Drawing Sheets

- (56) **References Cited**
U.S. PATENT DOCUMENTS
- | | | |
|-------------|---------|-----------|
| 3,300,697 A | 1/1967 | Woodford |
| 3,314,194 A | 4/1967 | Halleck |
| 3,868,054 A | 2/1975 | Congleton |
| 4,075,786 A | 2/1978 | Van Zyl |
| 4,118,890 A | 10/1978 | Shore |



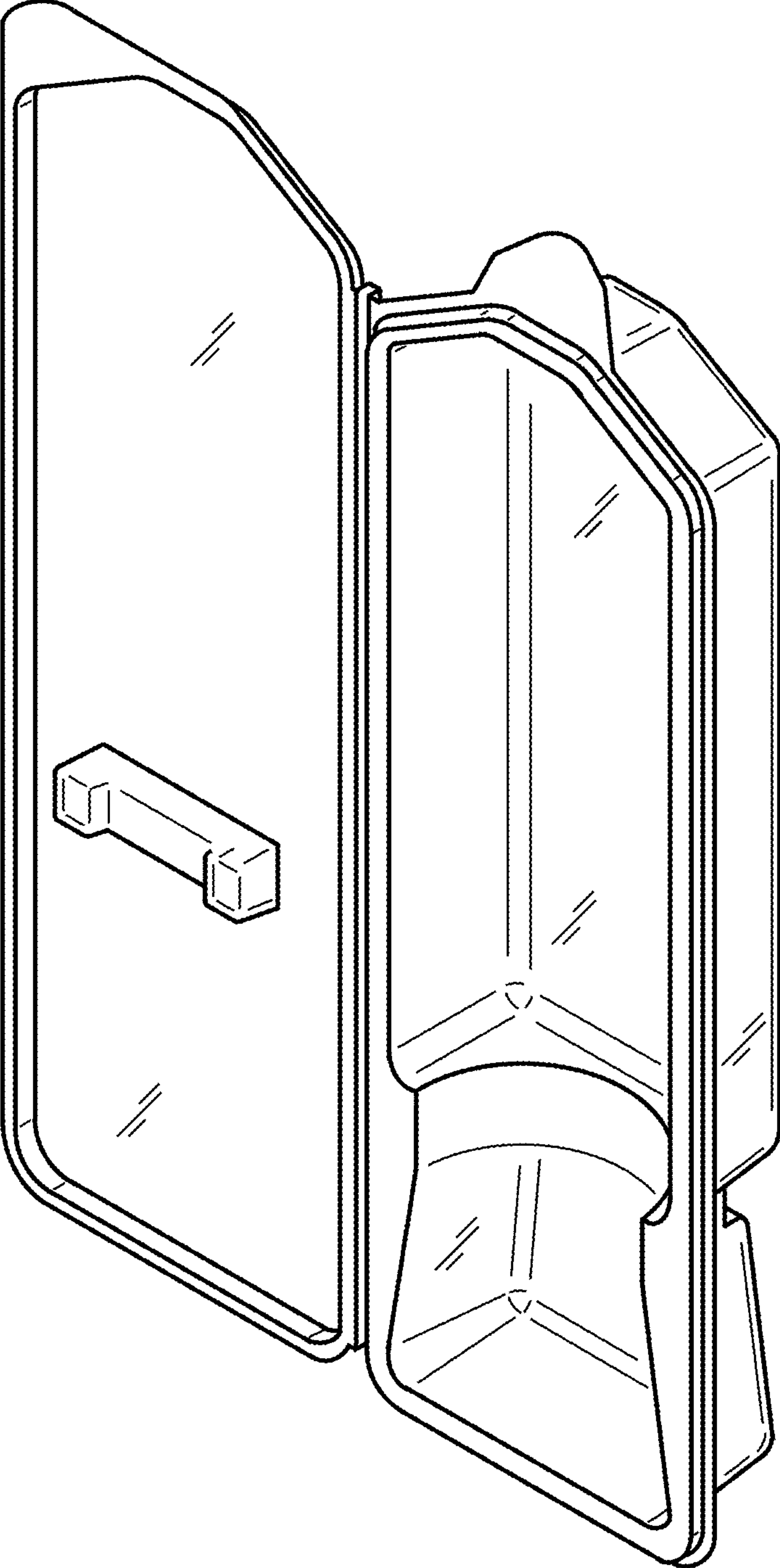


FIG. 1

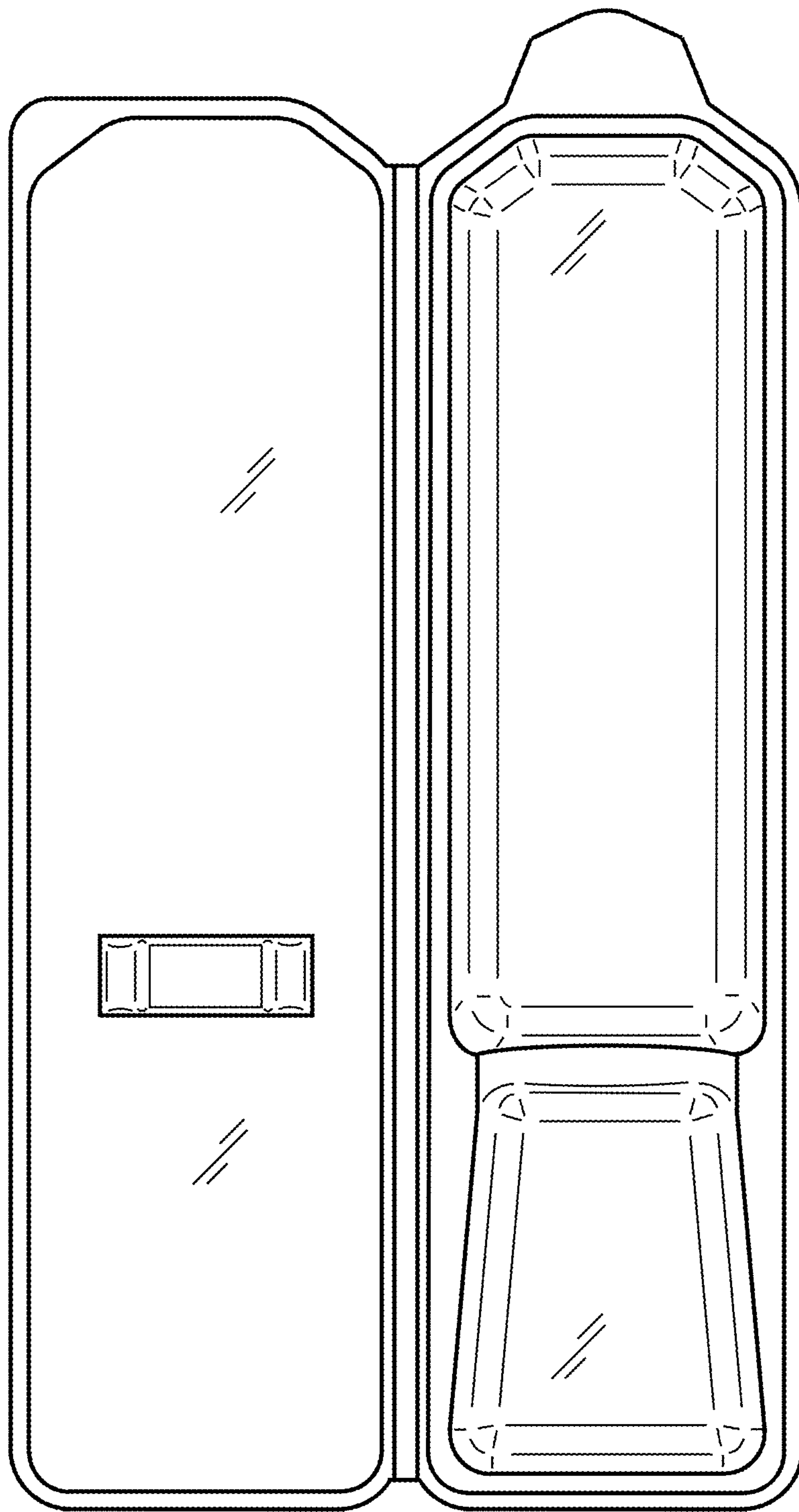


FIG. 2

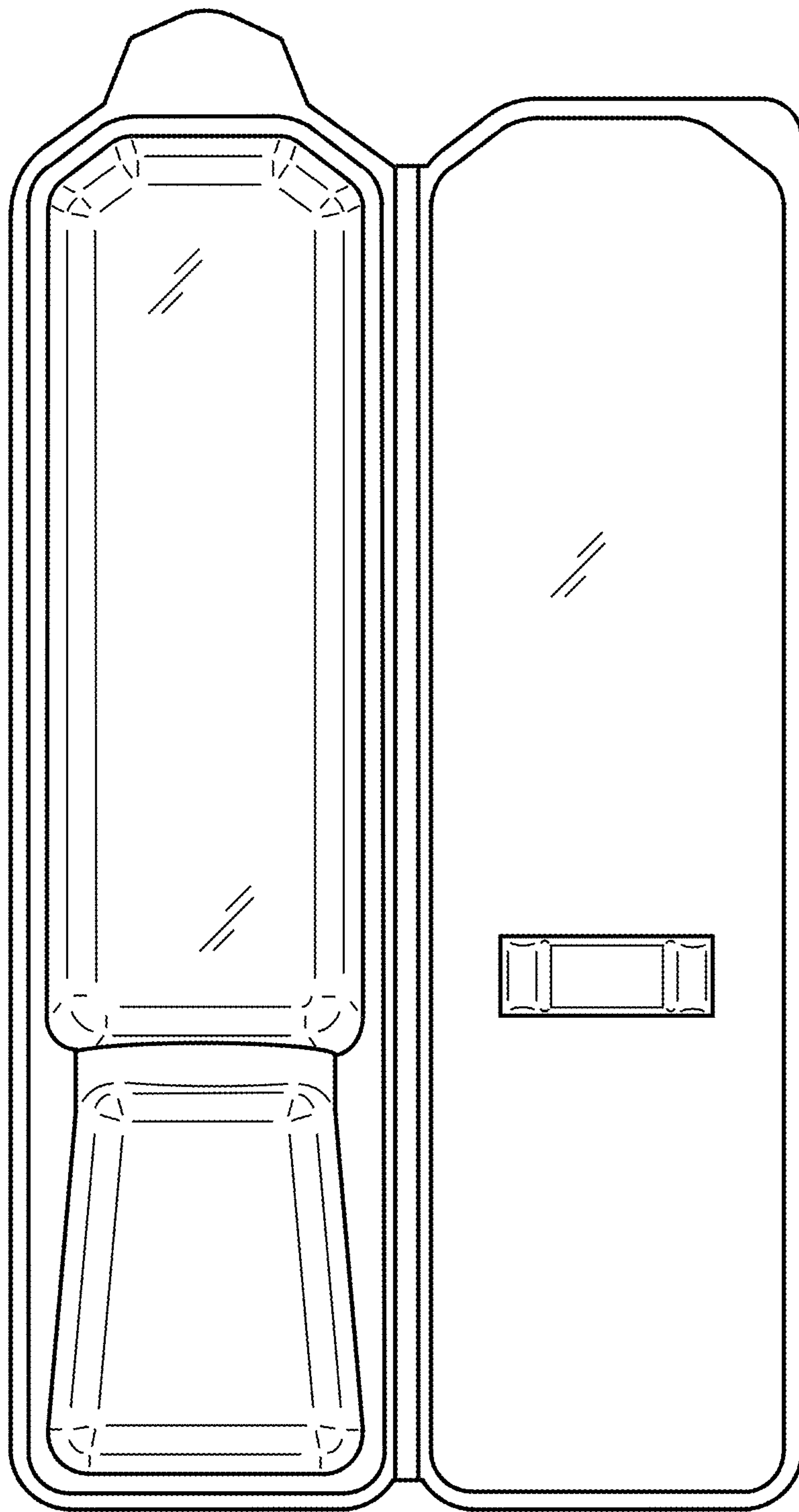


FIG. 3

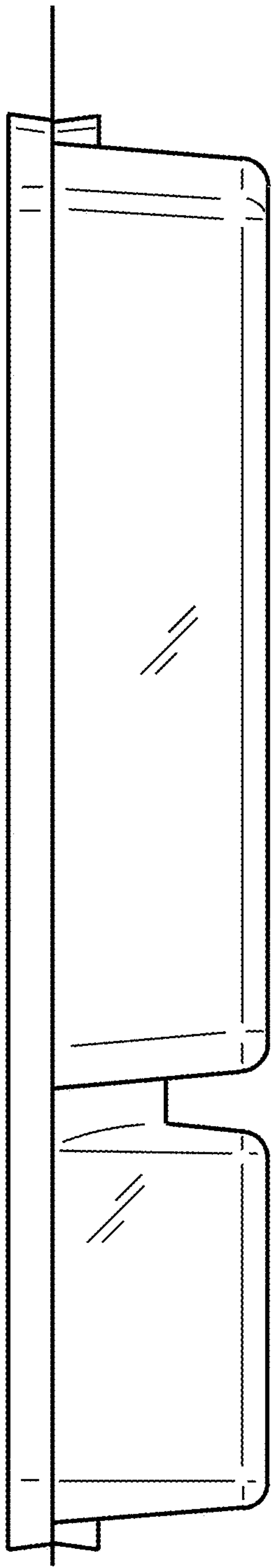


FIG. 4

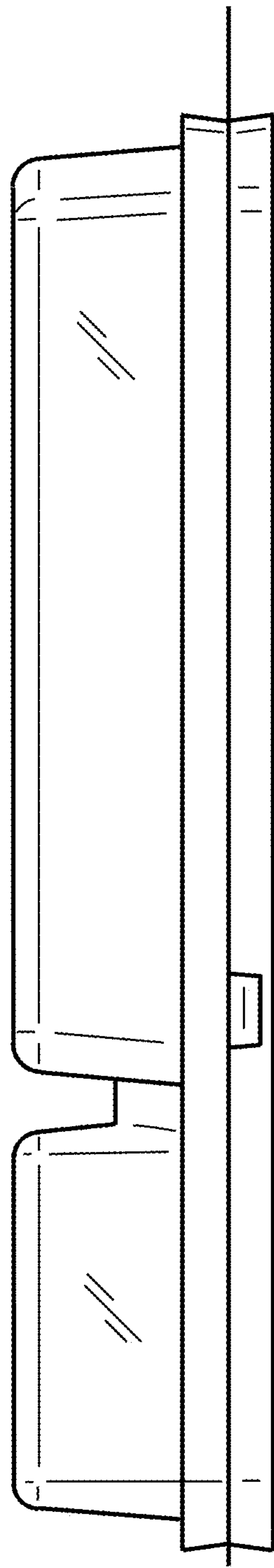


FIG. 5

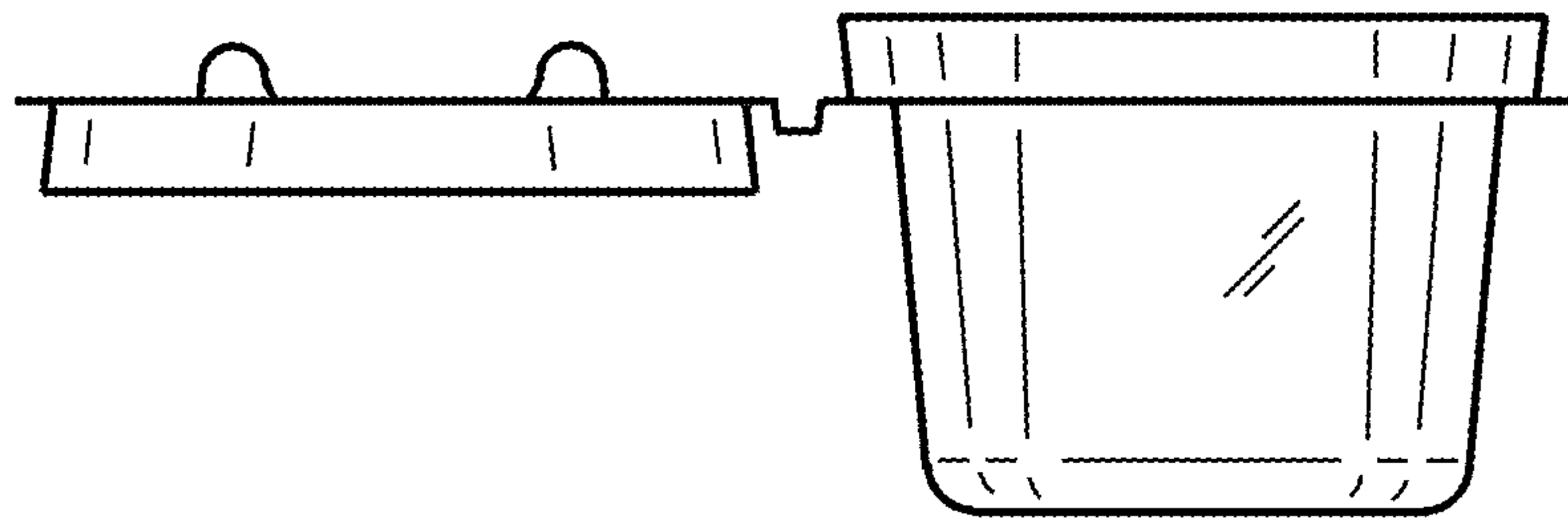


FIG. 6

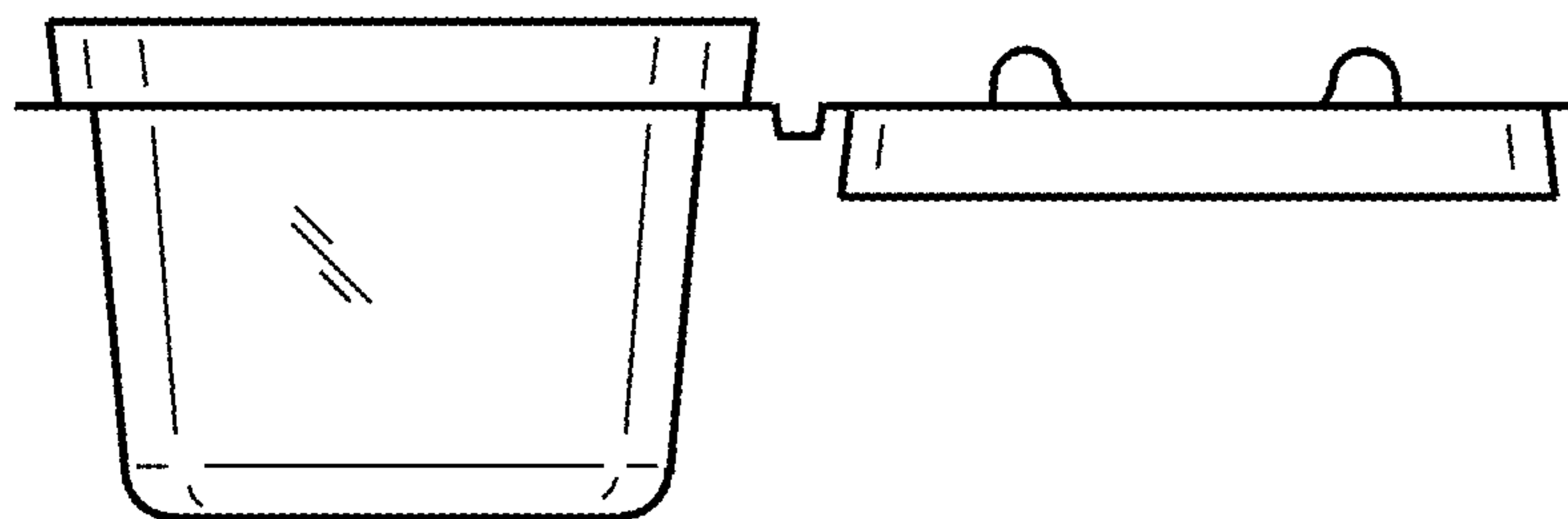


FIG. 7