



US00D882415S

(12) **United States Design Patent**
Duarte de Castro et al.

(10) **Patent No.:** **US D882,415 S**
(45) **Date of Patent:** **** Apr. 28, 2020**

(54) **HERB MAILING CONTAINER WITH ROOT POCKET**

(71) Applicants: **Tiago Dias Duarte de Castro**,
Thermal, CA (US); **Suzette Overgaag**,
Thermal, CA (US)

(72) Inventors: **Tiago Dias Duarte de Castro**,
Thermal, CA (US); **Suzette Overgaag**,
Thermal, CA (US)

(**) Term: **15 Years**

(21) Appl. No.: **29/663,039**

(22) Filed: **Sep. 11, 2018**

(51) **LOC (12) Cl.** **09-03**

(52) **U.S. Cl.**
USPC **D9/737**

(58) **Field of Classification Search**
USPC D9/418, 420, 424-426, 737, 759, 761;
D7/538, 539, 541, 555, 556, 571, 601,
D7/702, 703, 628, 629; D3/201, 270,
D3/271.1, 273, 294, 295, 302, 901, 903;
220/575, 500; 206/6.1, 822; 229/406,
229/407, 116.1, 116.2, 120.02

CPC B65D 43/169; B65D 45/00; B65D 1/36;
B65D 2543/00194; B65D 2543/00296;
B65D 2543/00555; B65D 2581/3425;
B65D 25/04; B65D 43/0218; A47G
19/02; A47G 19/065; A47G 23/0608

See application file for complete search history.

(56) **References Cited**

U.S. PATENT DOCUMENTS

3,300,697 A	1/1967	Woodford
3,314,194 A	4/1967	Halleck
3,868,054 A	2/1975	Congleton
4,075,786 A	2/1978	Van Zyl
4,118,890 A	10/1978	Shore

4,189,868 A	2/1980	Tymchuck et al.
4,242,835 A	1/1981	Mondragon Sorribes
5,001,860 A	3/1991	Rudnick
5,224,598 A	7/1993	Angeles et al.
D342,896 S *	1/1994	Gottofredi D9/425
D345,911 S *	4/1994	Elbaz D9/425
D357,627 S	4/1995	Angeles et al.
D368,030 S *	3/1996	Elbaz D9/425
5,613,605 A	3/1997	Angeles et al.
D398,844 S *	9/1998	Oberloier D9/415
D454,493 S *	3/2002	Chung D3/263
D474,020 S *	5/2003	Wang D3/274
D504,065 S *	4/2005	Belser D9/423
D538,639 S *	3/2007	Dunshee D9/420
D596,935 S *	7/2009	Golota D9/420
D627,221 S *	11/2010	Kovatch D9/426
D665,254 S *	8/2012	Miller D9/424
D788,926 S *	6/2017	Parlante D24/176
9,771,188 B2 *	9/2017	Glassman A45F 5/00

(Continued)

Primary Examiner — W. A. Teddy Falloway

(74) *Attorney, Agent, or Firm* — Kirk A. Buhler; Buhler & Associates Patenting

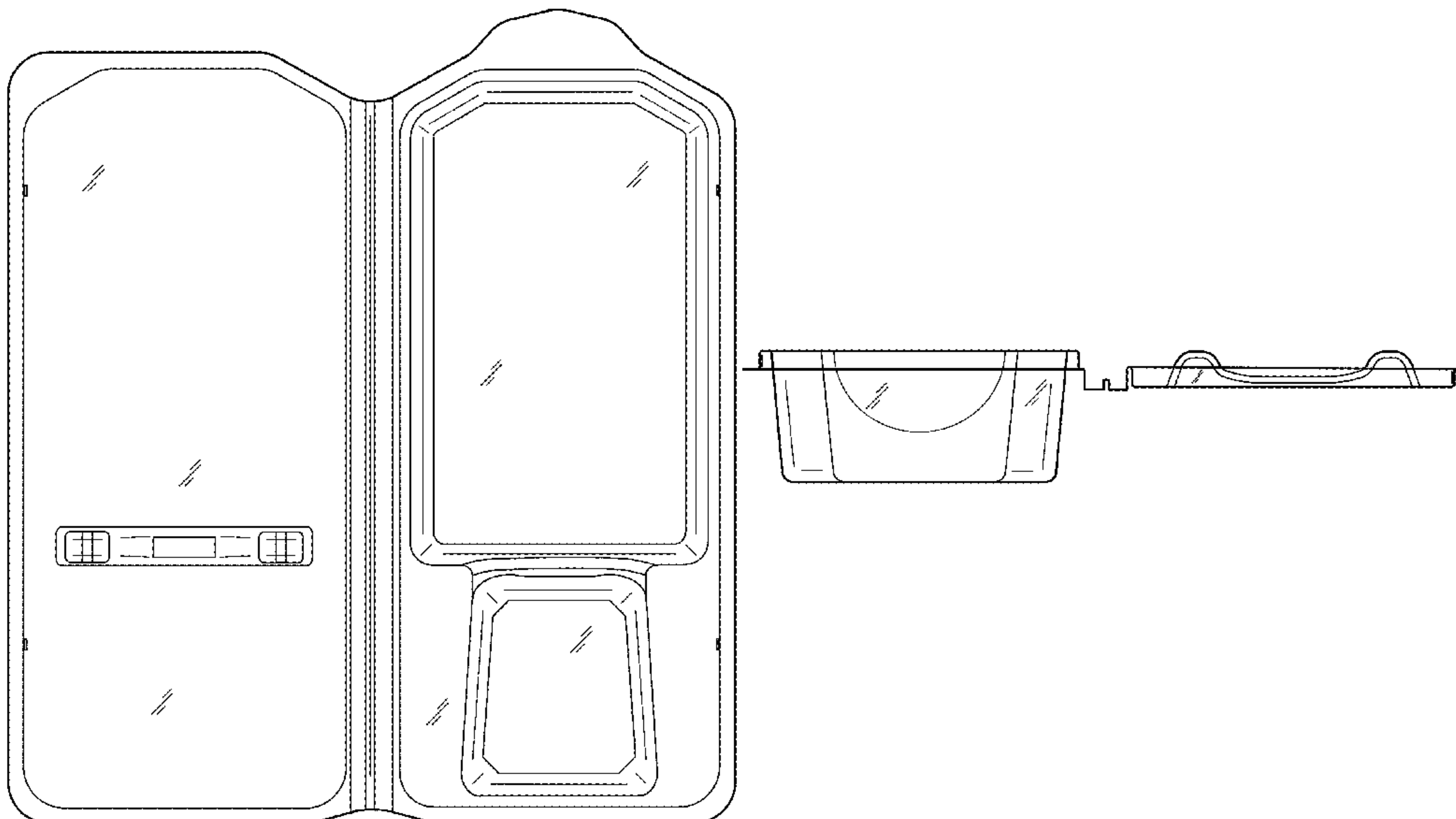
(57) **CLAIM**

The ornamental design for an herb mailing container with root pocket, as shown.

DESCRIPTION

FIG. 1 is a front elevation view of an herb mailing container with root pocket showing my new design;
FIG. 2 is a right side elevation view thereof;
FIG. 3 is a left side elevation view thereof;
FIG. 4 is a bottom view thereof;
FIG. 5 is a top plan view thereof;
FIG. 6 is a bottom view in a closed configuration thereof;
FIG. 7 is a rear elevation view thereof;
FIG. 8 is a front elevation view in a closed configuration thereof; and,
FIG. 9 is a right side elevation view in a closed configuration.

1 Claim, 5 Drawing Sheets



(56)

References Cited

U.S. PATENT DOCUMENTS

D814,316 S 4/2018 Overgaag
D825,351 S * 8/2018 Buck D9/761
2018/0064045 A1 3/2018 Overgaag

* cited by examiner

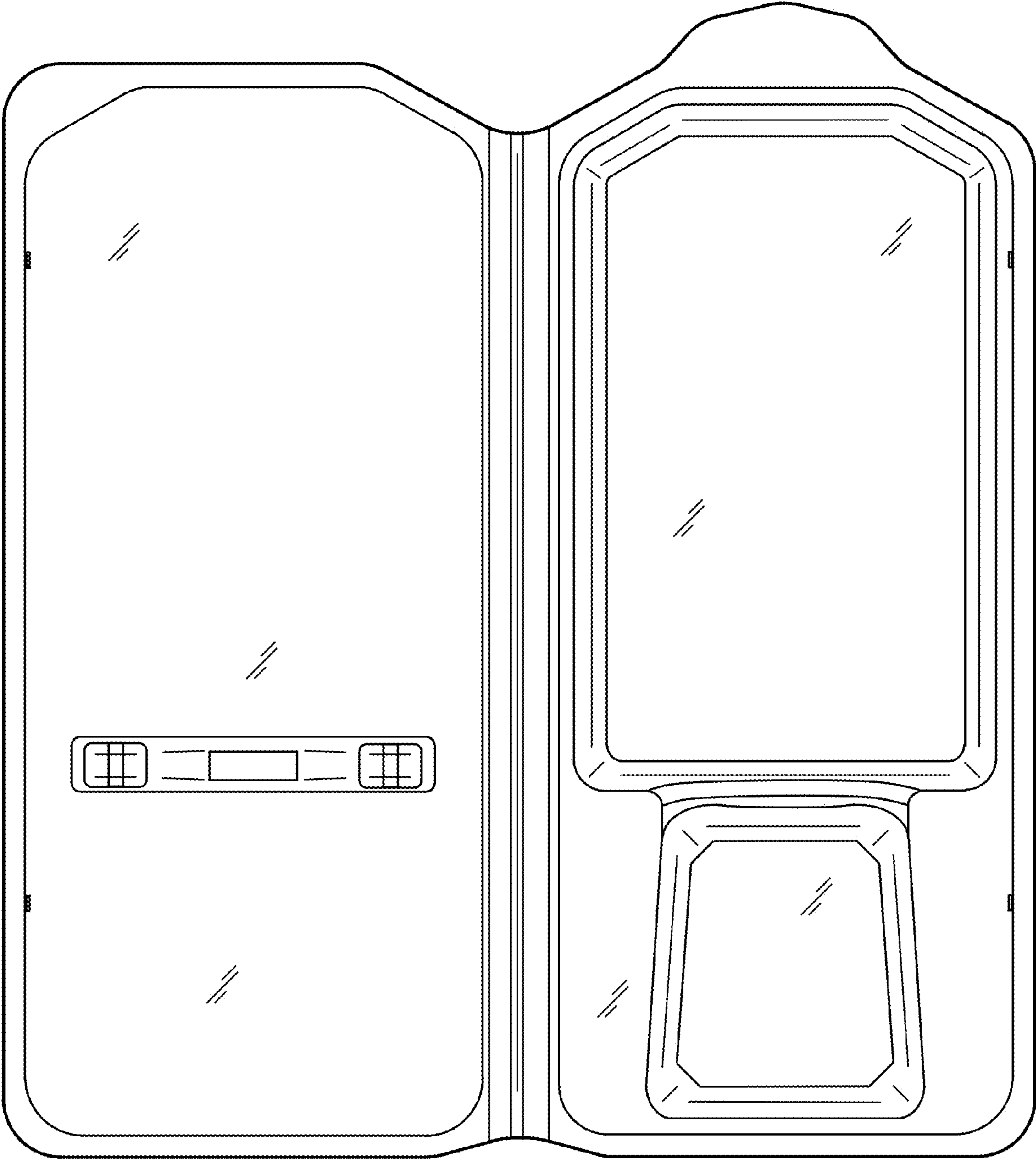


FIG. 1

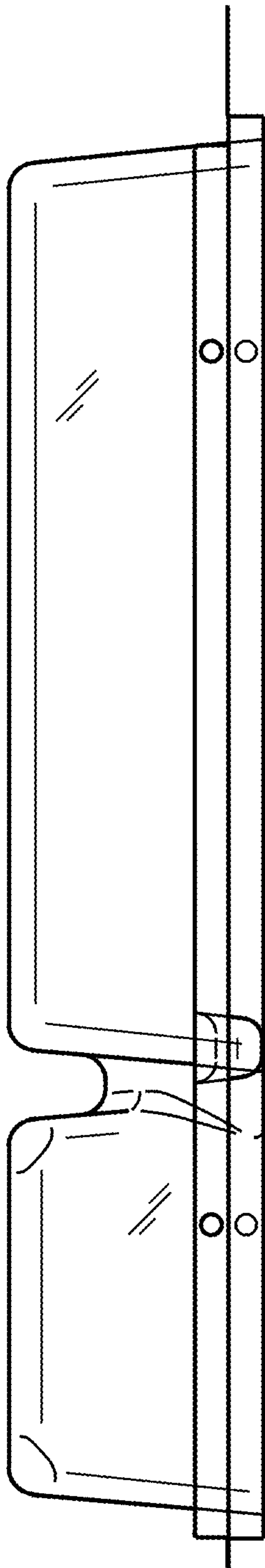


FIG. 2

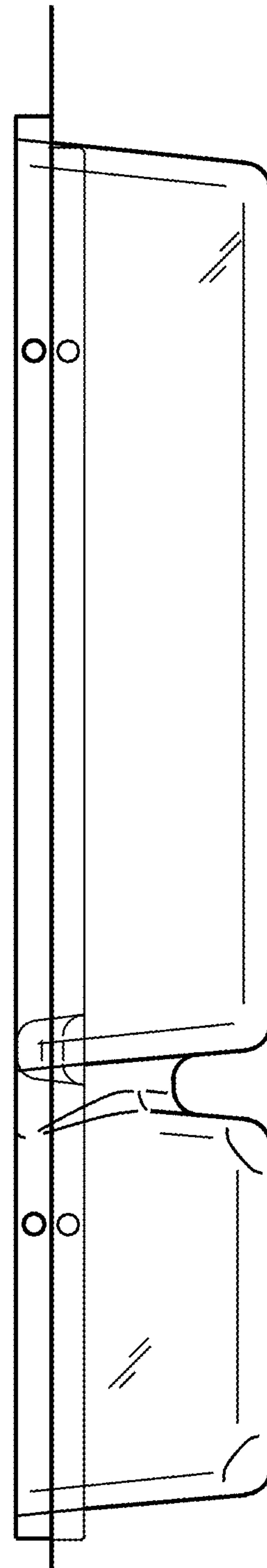


FIG. 3

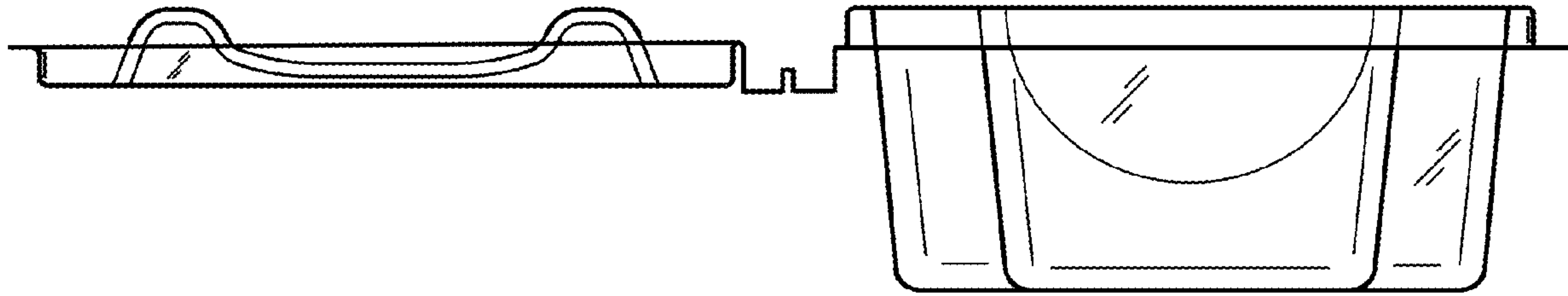


FIG. 4

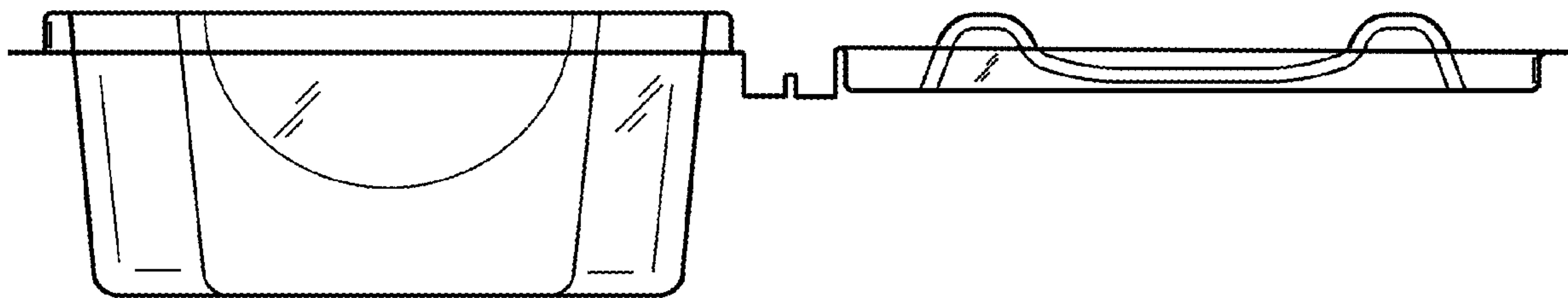


FIG. 5

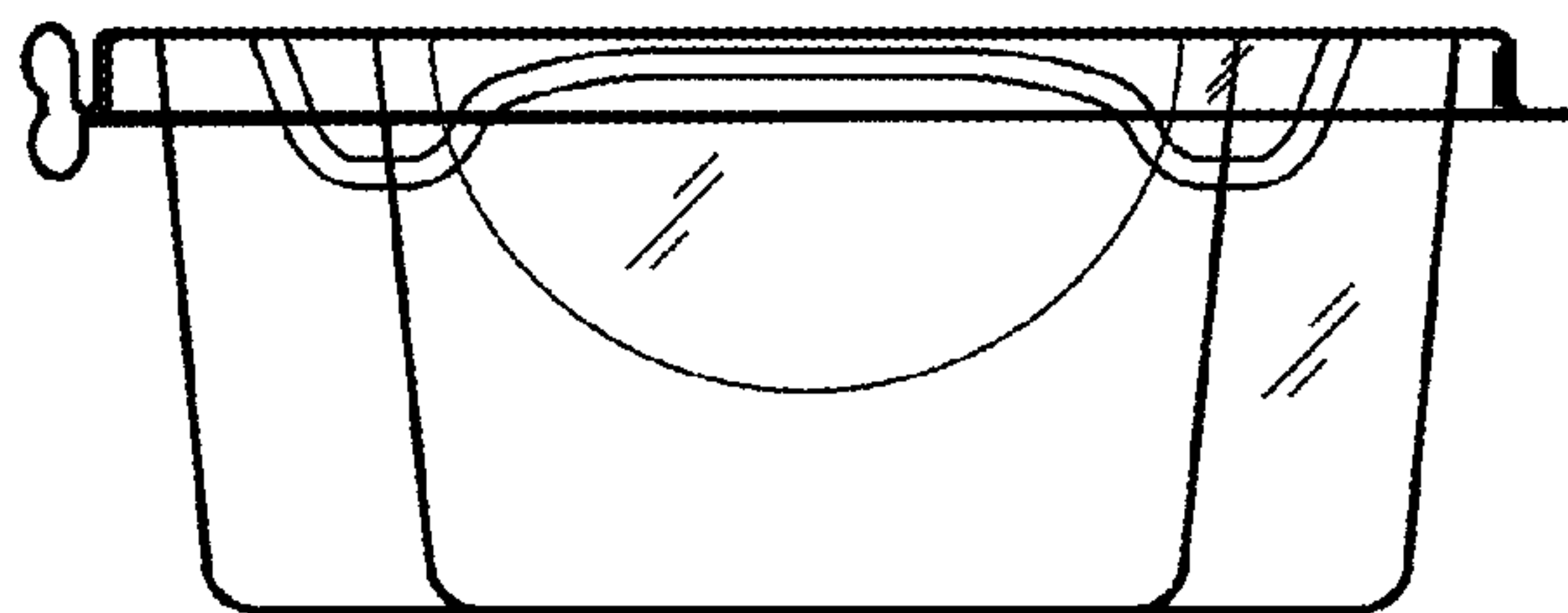


FIG. 6

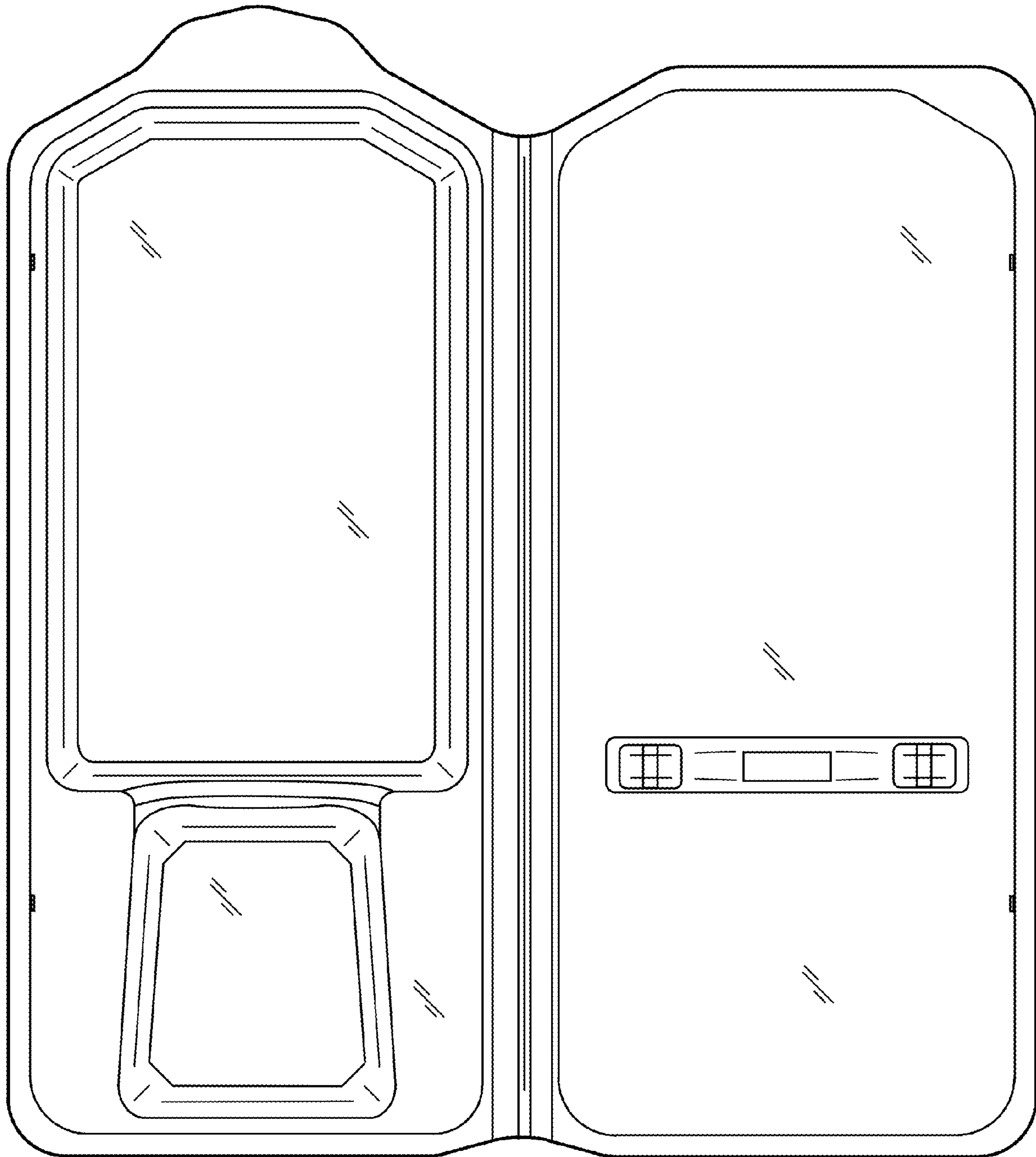


FIG. 7

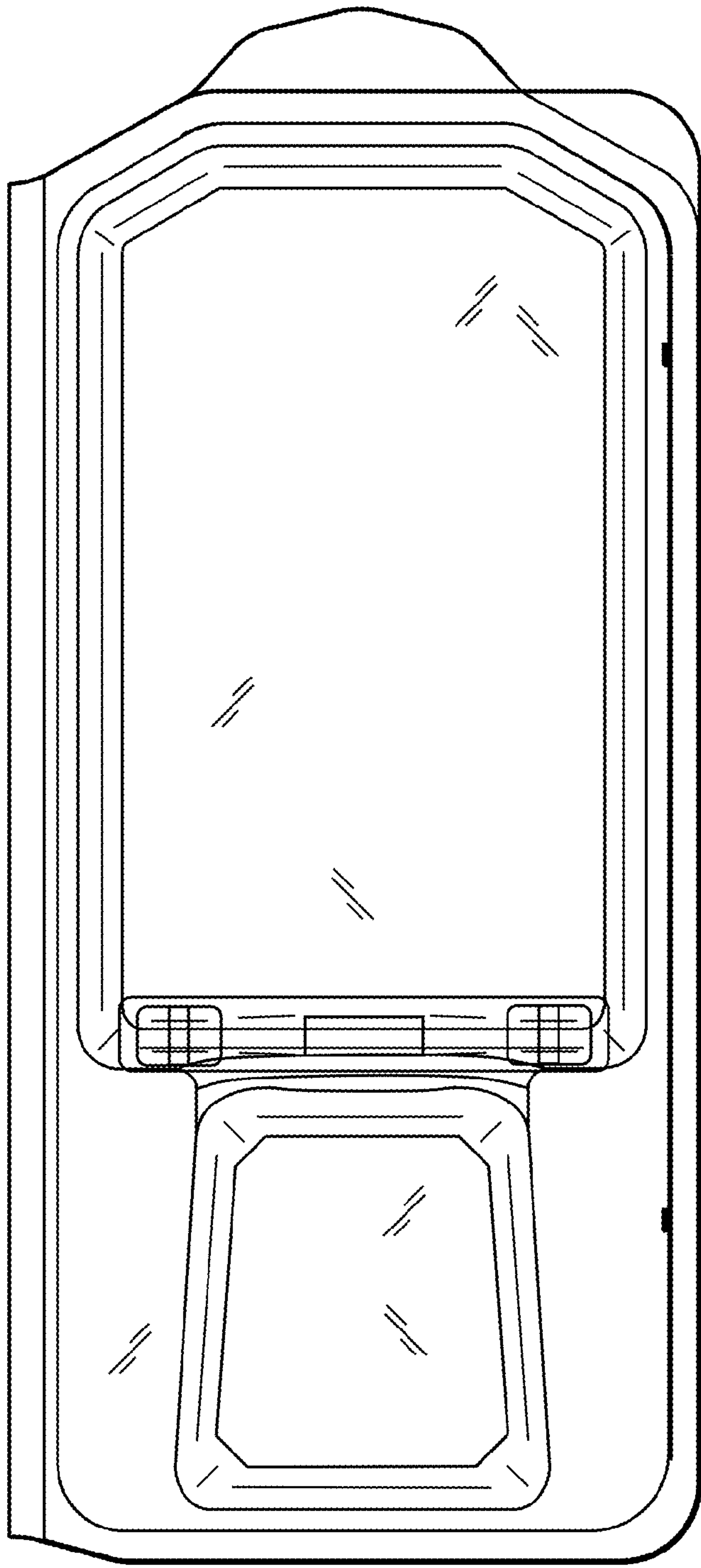


FIG. 8

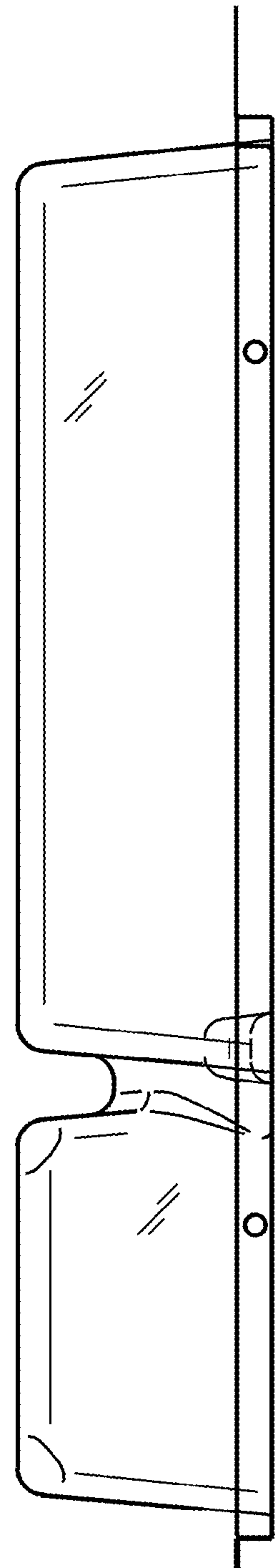


FIG. 9