



US00D882412S

(12) **United States Design Patent**  
**Tempfli et al.**

(10) **Patent No.:** **US D882,412 S**  
(45) **Date of Patent:** **\*\* Apr. 28, 2020**

(54) **PACKAGING BOTTLE FOR LIQUIDS**

(71) Applicants: **Karl Tempfli**, Gottmadingen (DE);  
**Volker Heinzle**, Krauchenwies (DE);  
**Magdalena Orasche**, Freyung (DE)

(72) Inventors: **Karl Tempfli**, Gottmadingen (DE);  
**Volker Heinzle**, Krauchenwies (DE);  
**Magdalena Orasche**, Freyung (DE)

(73) Assignee: **Aptar Radolfzell GmbH**, Radolfzell  
(DE)

(\*\*) Term: **15 Years**

(21) Appl. No.: **29/675,085**

(22) Filed: **Dec. 28, 2018**

(30) **Foreign Application Priority Data**

Jul. 10, 2018 (EM) ..... 005499258

(51) **LOC (12) Cl.** ..... **09-01**

(52) **U.S. Cl.**  
USPC ..... **D9/724**

(58) **Field of Classification Search**  
USPC ..... D9/549, 551, 558, 559, 723, 724, 726;  
D7/300, 312; D24/197  
CPC ..... B05B 11/3059; B05B 11/0027; B05B  
11/0032; B05B 11/3004; B05B 11/3015;  
B05B 11/306; B05B 11/3064  
See application file for complete search history.

(56) **References Cited**

**U.S. PATENT DOCUMENTS**

4,830,224 A \* 5/1989 Brison ..... B05B 11/0027  
222/153.06  
6,090,086 A \* 7/2000 Bolden ..... A61F 9/0026  
604/295  
D515,431 S \* 2/2006 Dehaene ..... D9/558  
D544,957 S \* 6/2007 Bloc ..... D24/110  
D579,786 S \* 11/2008 Py ..... D9/724

D655,621 S \* 3/2012 Py ..... D9/724  
D711,542 S \* 8/2014 Pierson ..... D24/176  
D770,287 S \* 11/2016 Holaschke ..... D9/453  
2002/0176734 A1 \* 11/2002 Keating ..... A45D 34/042  
401/270  
2008/0118299 A1 \* 5/2008 Py ..... B65D 47/18  
2010/0187260 A1 \* 7/2010 Stadelhofer ..... B05B 11/0027  
222/207  
2010/0206908 A1 \* 8/2010 Pruvot ..... B05B 11/3059  
222/153.13  
2010/0254749 A1 \* 10/2010 Amiconi ..... C11D 17/041  
401/196

(Continued)

**OTHER PUBLICATIONS**

U.S. Appl. No. 29/675,084, filed Dec. 28, 2018.

(Continued)

*Primary Examiner* — Lauren R Calve

(74) *Attorney, Agent, or Firm* — Flynn Thiel, P.C.

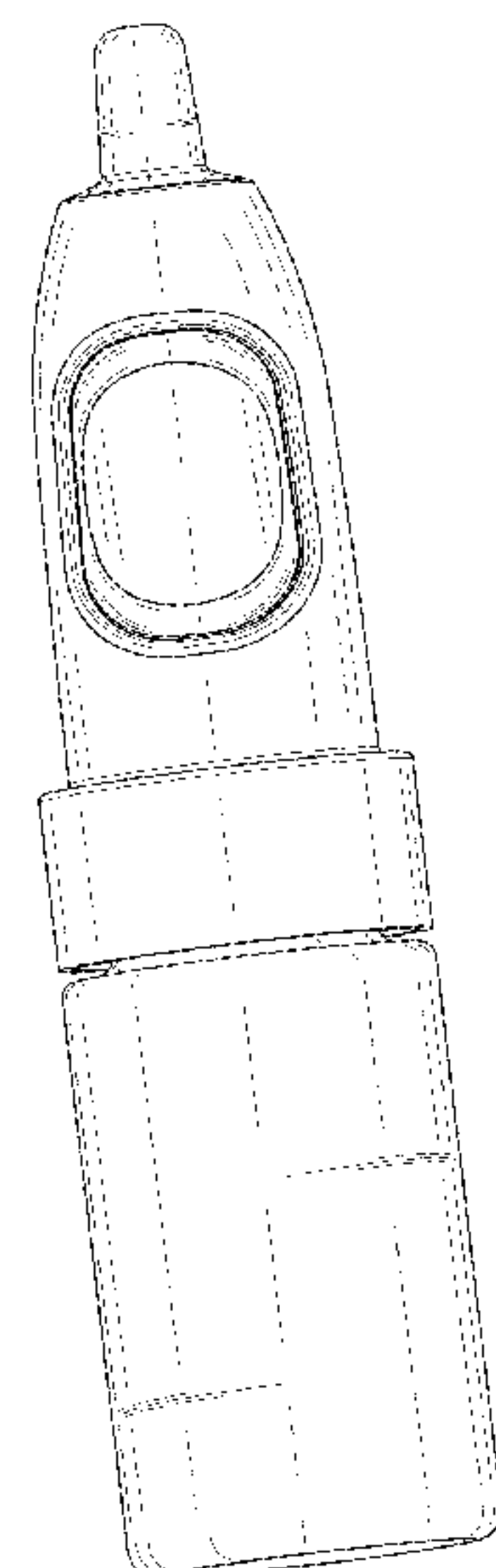
(57) **CLAIM**

The ornamental design for a packaging bottle for liquids, as shown and described.

**DESCRIPTION**

FIG. 1 is a perspective view of a packaging bottle for liquids showing our new design;  
FIG. 2 is a front view thereof;  
FIG. 3 is a right side view thereof;  
FIG. 4 is a rear view thereof;  
FIG. 5 is a left side view thereof;  
FIG. 6 is a top view thereof;  
FIG. 7 is a bottom view thereof; and,  
FIG. 8 is a perspective view of the packaging bottle for liquids showing a cap thereon for reference.  
The broken lines illustrating portions of the packaging bottle for liquids are for environmental purposes only and form no part of the claimed design.

**1 Claim, 7 Drawing Sheets**



(56)

**References Cited**

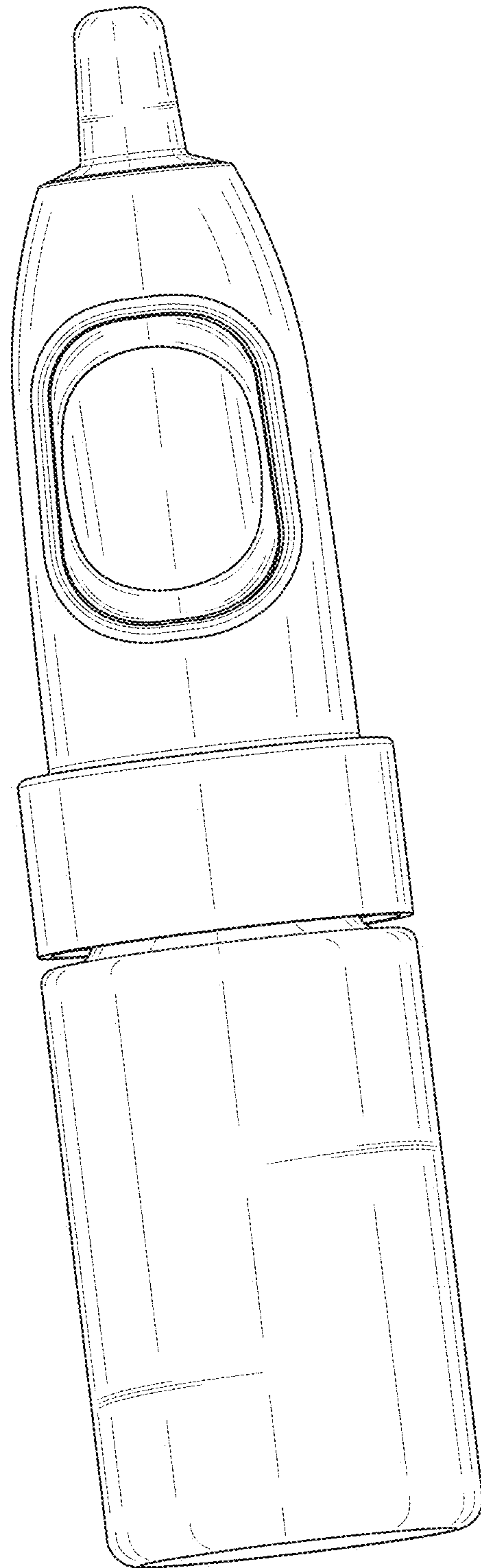
U.S. PATENT DOCUMENTS

2014/0097207 A1\* 4/2014 Szymiczek ..... B05B 11/0032  
222/153.13  
2014/0263457 A1\* 9/2014 Barber ..... A61M 15/08  
222/153.13  
2015/0088069 A1\* 3/2015 Kim ..... A61M 15/08  
604/149  
2015/0284177 A1\* 10/2015 Patil ..... B05B 11/0027  
222/153.04  
2015/0335528 A1\* 11/2015 Kim ..... A61H 35/04  
128/200.17  
2019/0029395 A1\* 1/2019 Porter ..... A45D 34/04  
2019/0111448 A1\* 4/2019 Greiner-Perth ..... B05B 11/0027

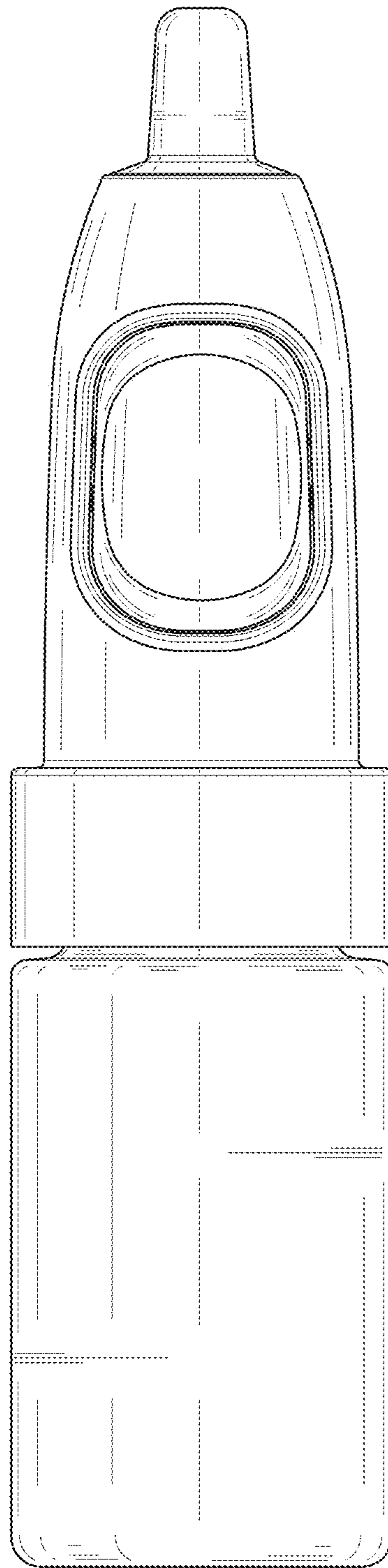
OTHER PUBLICATIONS

U.S. Appl. No. 29/675,091, filed Dec. 28, 2018.  
U.S. Appl. No. 29/675,095, filed Dec. 28, 2018.  
U.S. Appl. No. 29/675,097, filed Dec. 28, 2018.  
U.S. Appl. No. 29/675,098, filed Dec. 28, 2018.  
U.S. Appl. No. 29/675,099, filed Dec. 28, 2018.

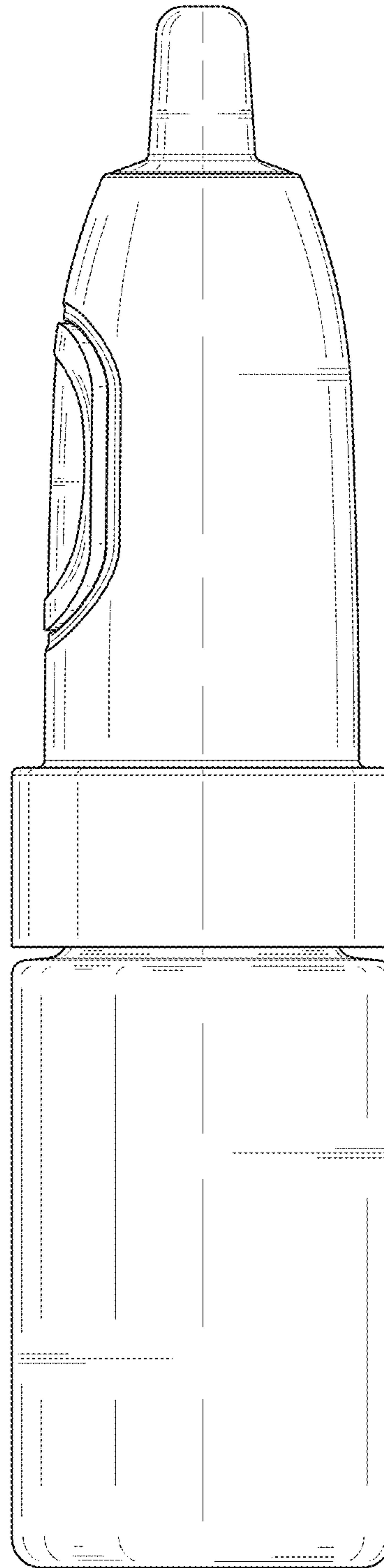
\* cited by examiner



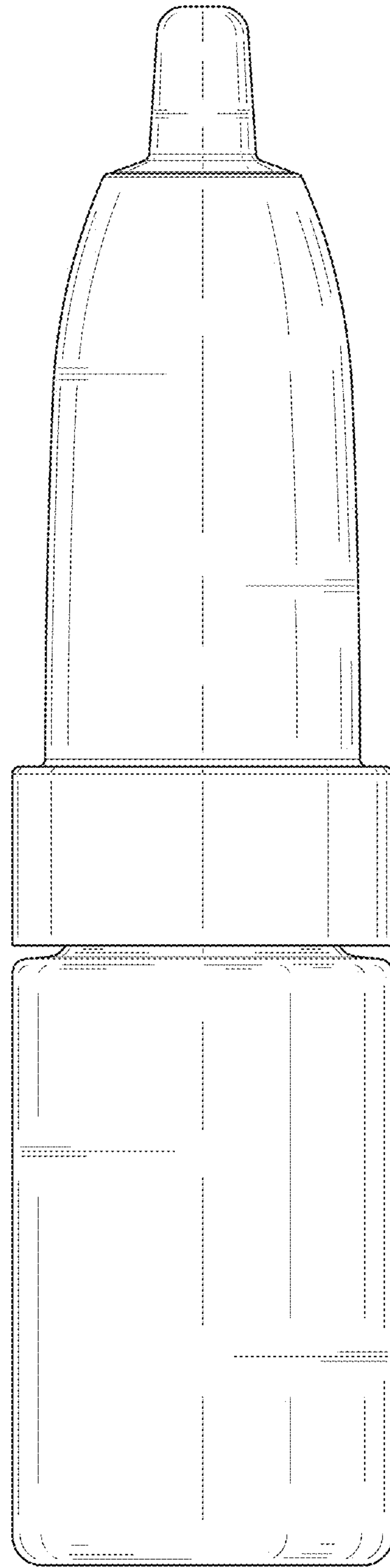
**FIG. 1**



**FIG. 2**

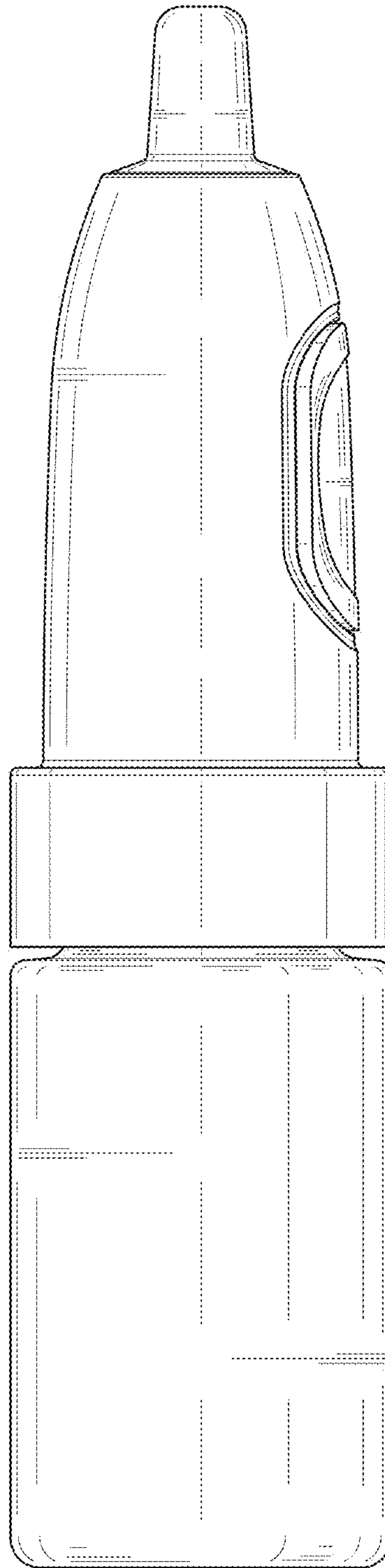


**FIG. 3**

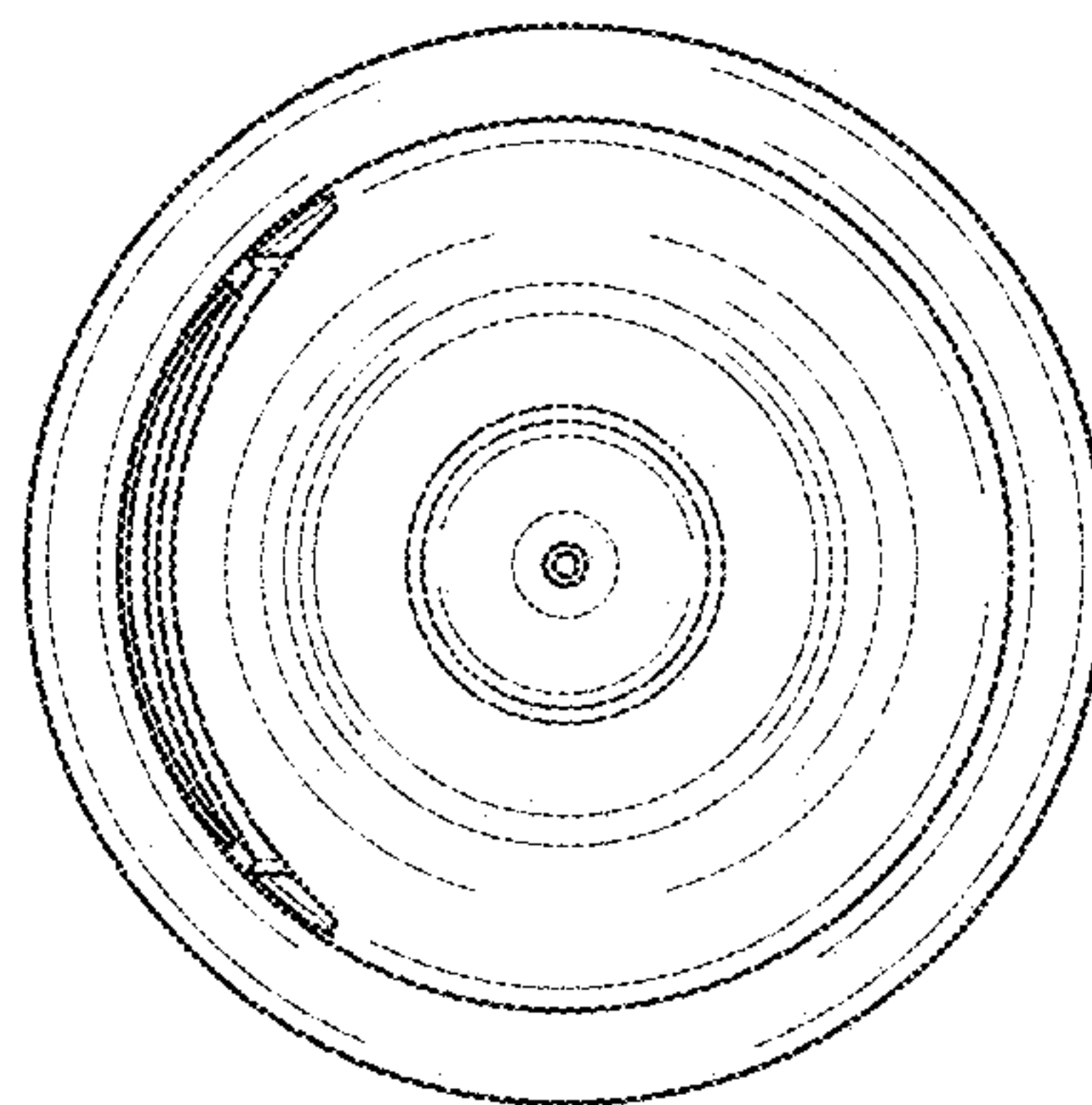


**FIG. 4**

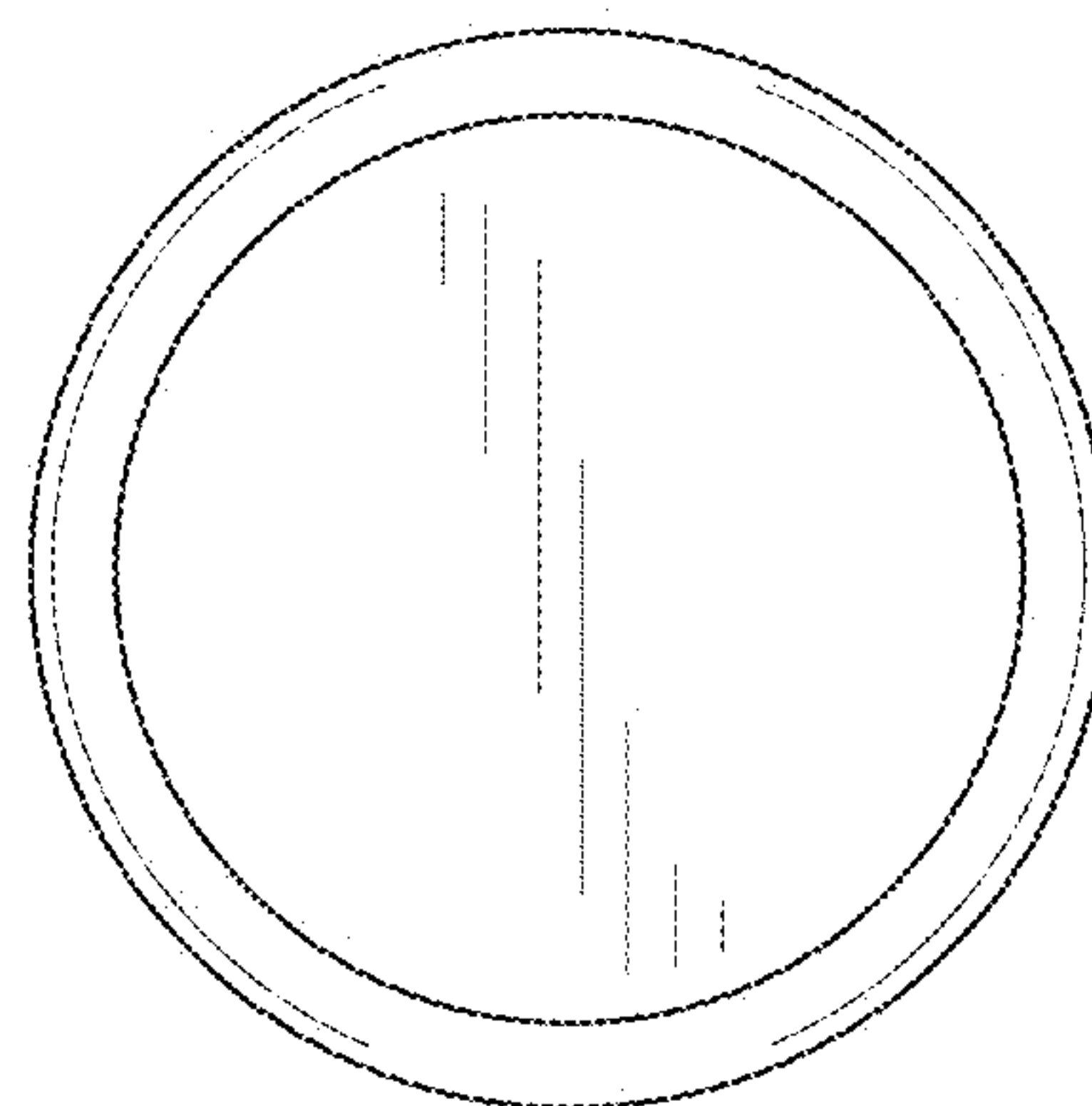




**FIG. 5**

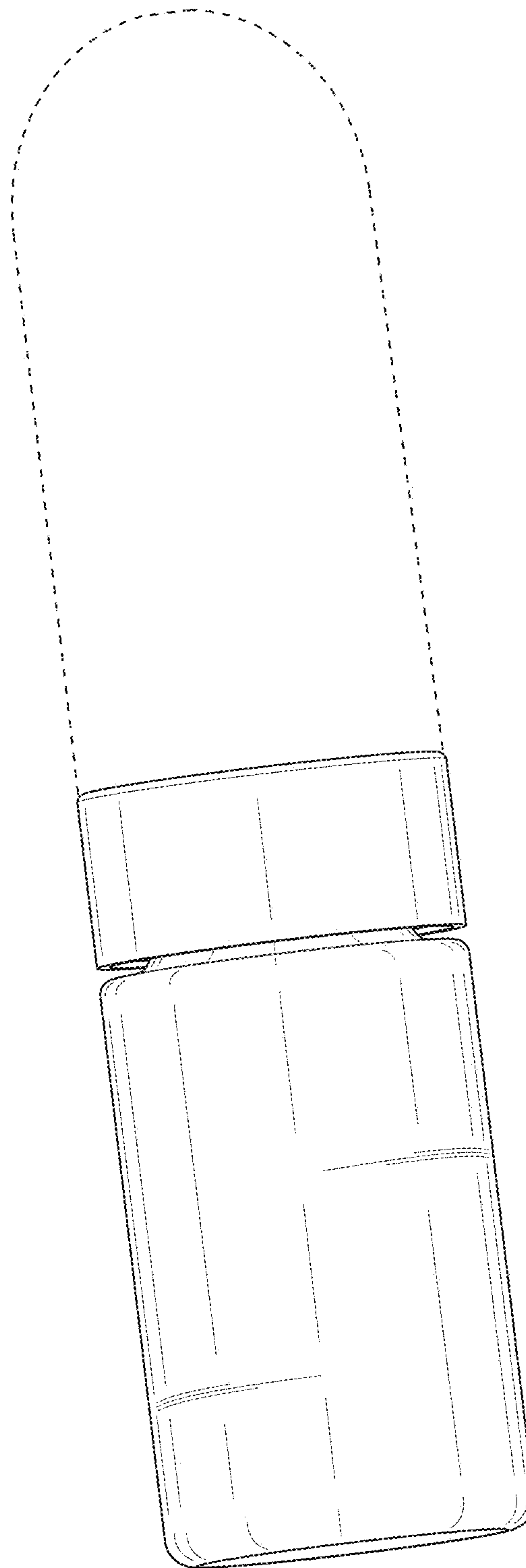


**FIG. 6**



**FIG. 7**





**FIG. 8**