



US00D882411S

(12) **United States Design Patent**
Jacobsson et al.

(10) **Patent No.:** **US D882,411 S**
(45) **Date of Patent:** **** Apr. 28, 2020**

(54) **PACKAGING CARTON**

CPC B65D 33/00; B65D 33/12; B65D 33/16;
B65D 31/00; B65D 31/10; B65D 5/00;
B65D 5/06; A45C 1/00; A45C 1/02;
A45C 3/06; A45C 3/00; A45C 3/10
See application file for complete search history.

(71) Applicant: **Tetra Laval Holdings & Finance S.A.**,
Pully (CH)

(72) Inventors: **Kristian Jacobsson**, Dalby (SE); **Frida Åberg**, Stockholm (SE); **Stefan Strandberg**, Stockholm (SE); **Nicola Chamberlain**, Stockholm (SE)

(56) **References Cited**

U.S. PATENT DOCUMENTS

(73) Assignee: **TETRA LAVAL HOLDINGS & FINANCE S.A.**, Pully (CH)

D580,779 S *	11/2008	Hartwell	D9/705
D694,647 S *	12/2013	Hermes	D9/702
D697,819 S *	1/2014	Saville	D9/703
D811,238 S *	2/2018	van den Berg	D9/703
D823,129 S *	7/2018	Williams	D9/702

(**) Term: **15 Years**

* cited by examiner

(21) Appl. No.: **29/668,097**

Primary Examiner — Abraham Bahta

(22) Filed: **Oct. 26, 2018**

(74) *Attorney, Agent, or Firm* — Knobbe, Martens, Olson & Bear, LLP

(30) **Foreign Application Priority Data**

May 4, 2018 (EM) 005257375-0001

(51) **LOC (12) Cl.** **09-05**

(52) **U.S. Cl.**
USPC **D9/712**

(58) **Field of Classification Search**

USPC D9/702-714, 430-434, 423, 499;
D3/303, 202, 205, 221, 226, 246, 240,
D3/304-315, 201, 276; 383/6, 105-120,
383/127, 10; 220/915.1, 915.2, 592.01,
220/773, 755; D7/601, 605-607,
D7/709-710, 393, 394, 395, 602, 622,
D7/624.2; 206/139, 428, 488, 427, 433,
206/434, 432; 229/117.19, 116.5, 923,
229/87.03, 87.18, 87.19, 117.09;
150/100, 107; 493/226; 215/399, 396

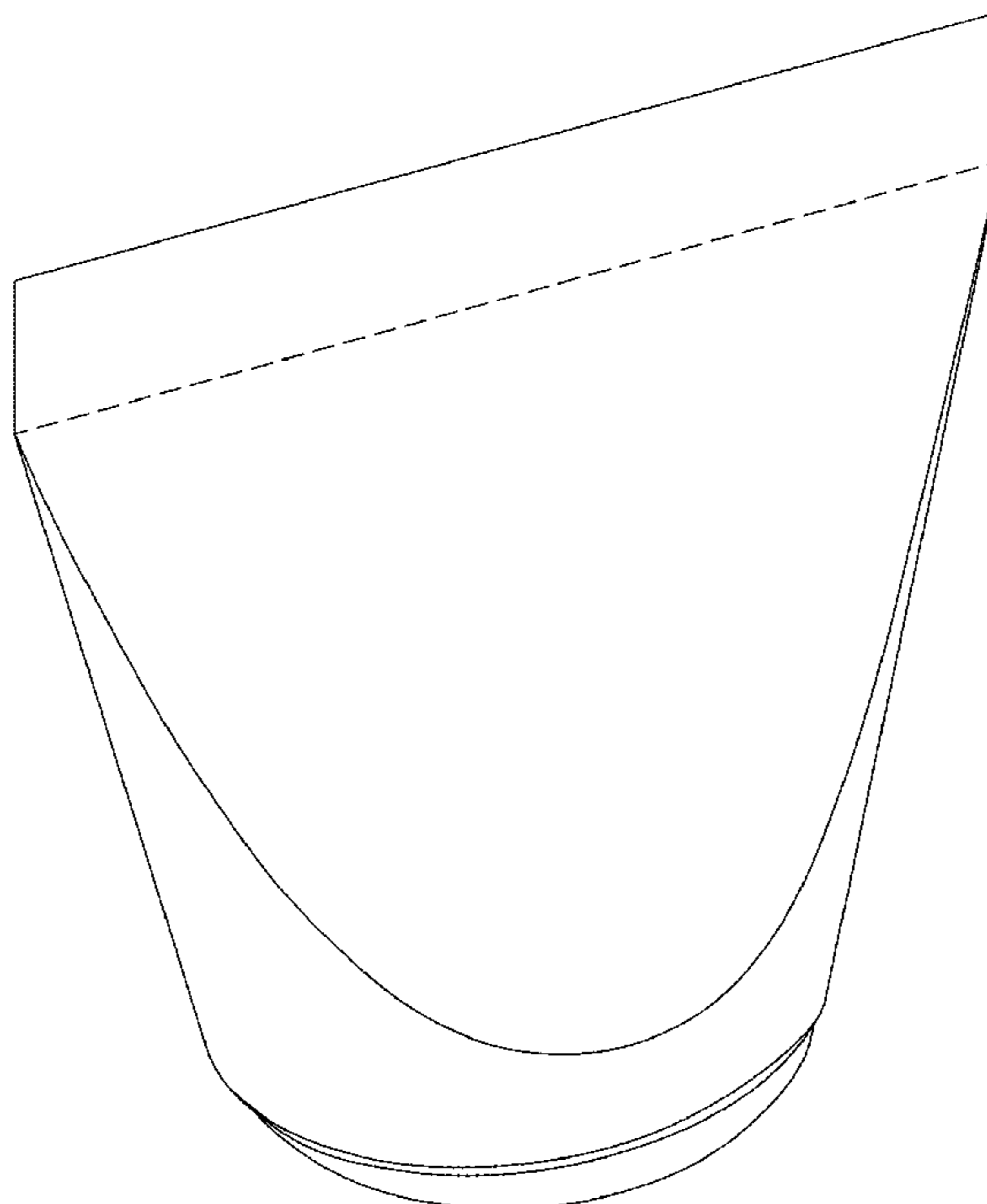
(57) **CLAIM**

The ornamental design for a packaging carton, as shown and described.

DESCRIPTION

FIG. 1 is a perspective view of a packaging carton, according to our new design;
FIG. 2 is a front elevational view thereof;
FIG. 3 is a rear elevational view thereof;
FIG. 4 is a left side elevational view thereof;
FIG. 5 is a left side elevational view thereof;
FIG. 6 is a top plan view thereof; and,
FIG. 7 is a bottom plan view thereof.
The broken lines in the figures depict perforation and do form a part of the claimed subject matter.

1 Claim, 7 Drawing Sheets



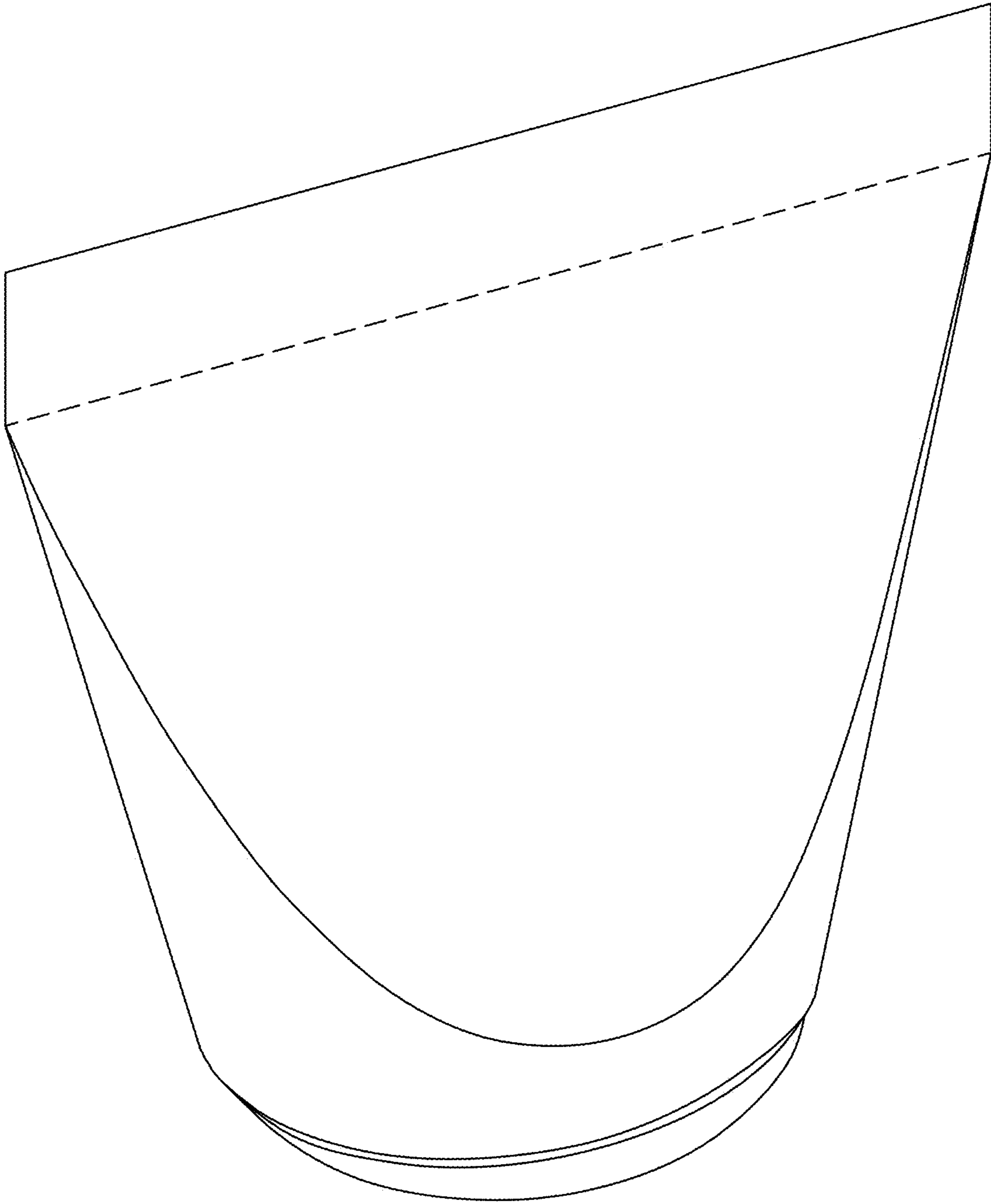


FIG. 1

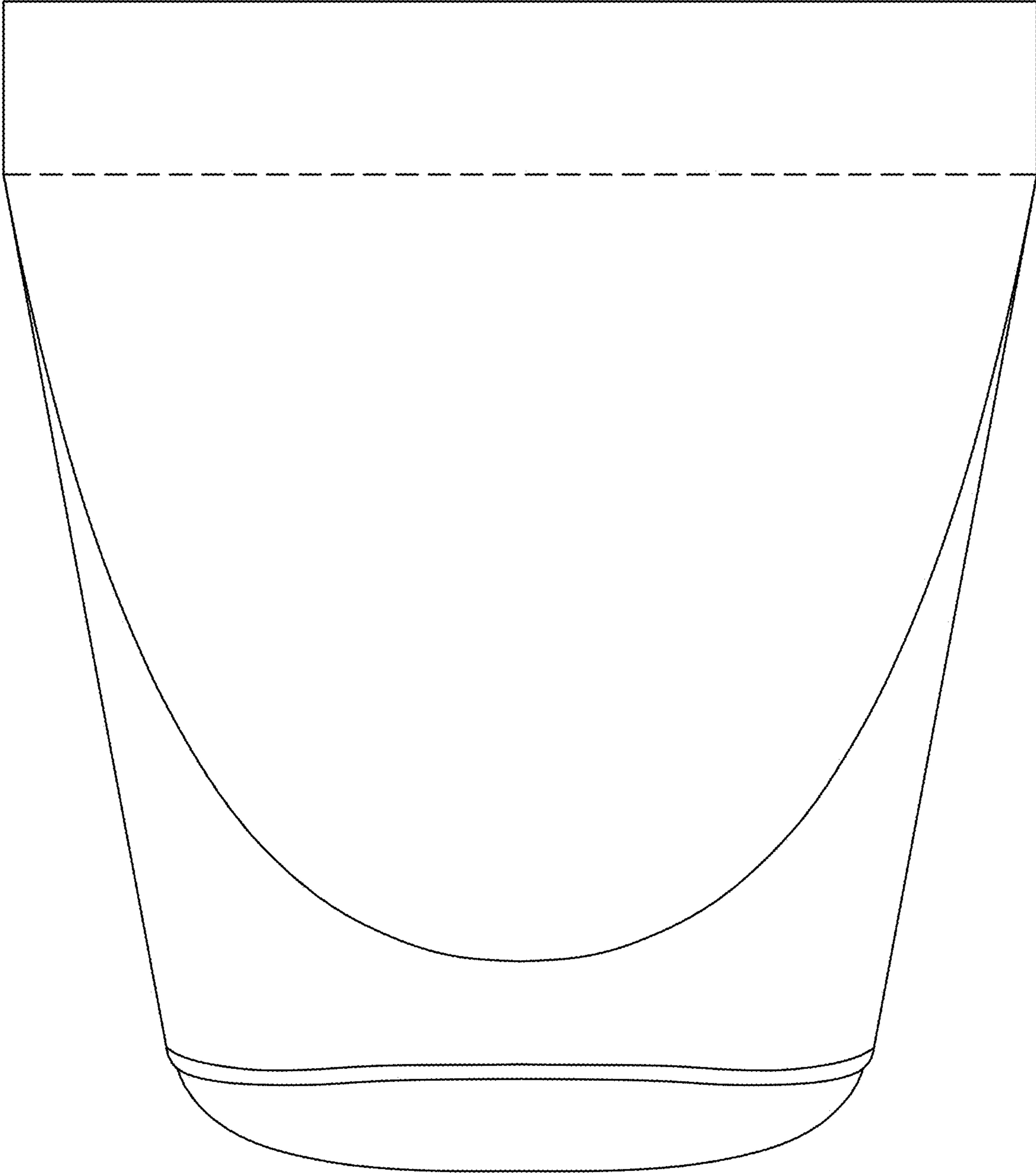


FIG. 2

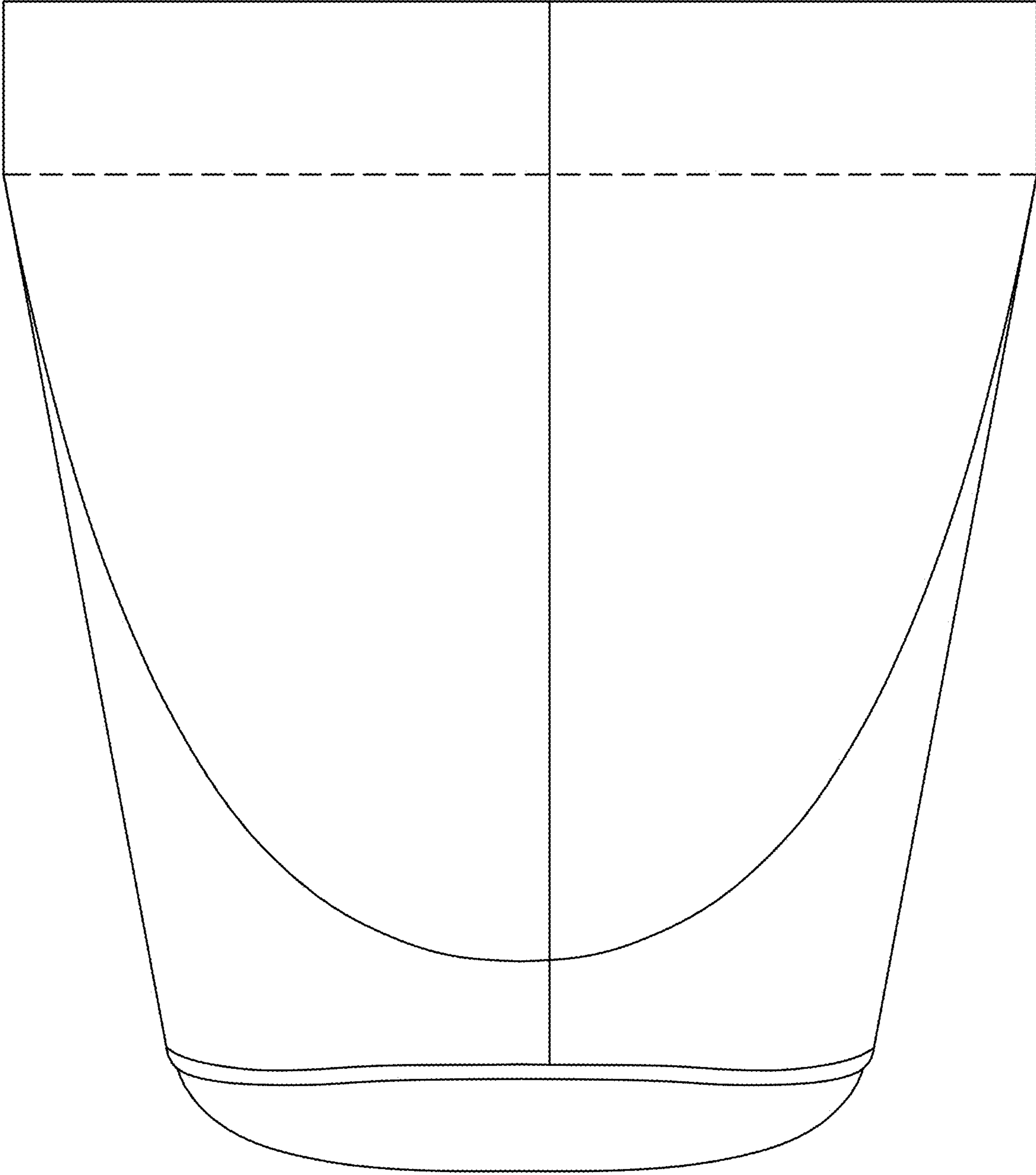


FIG. 3

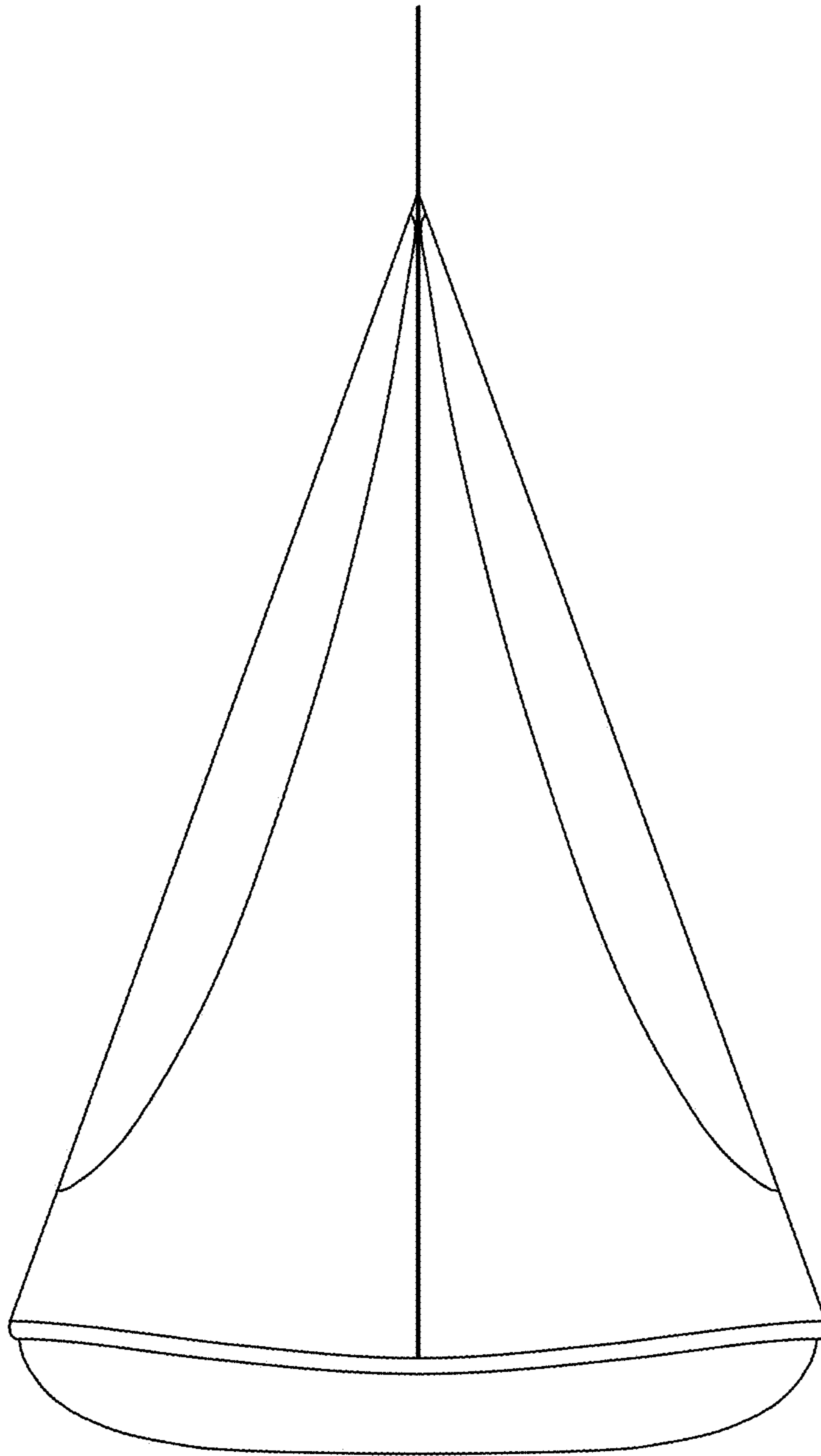


FIG. 4

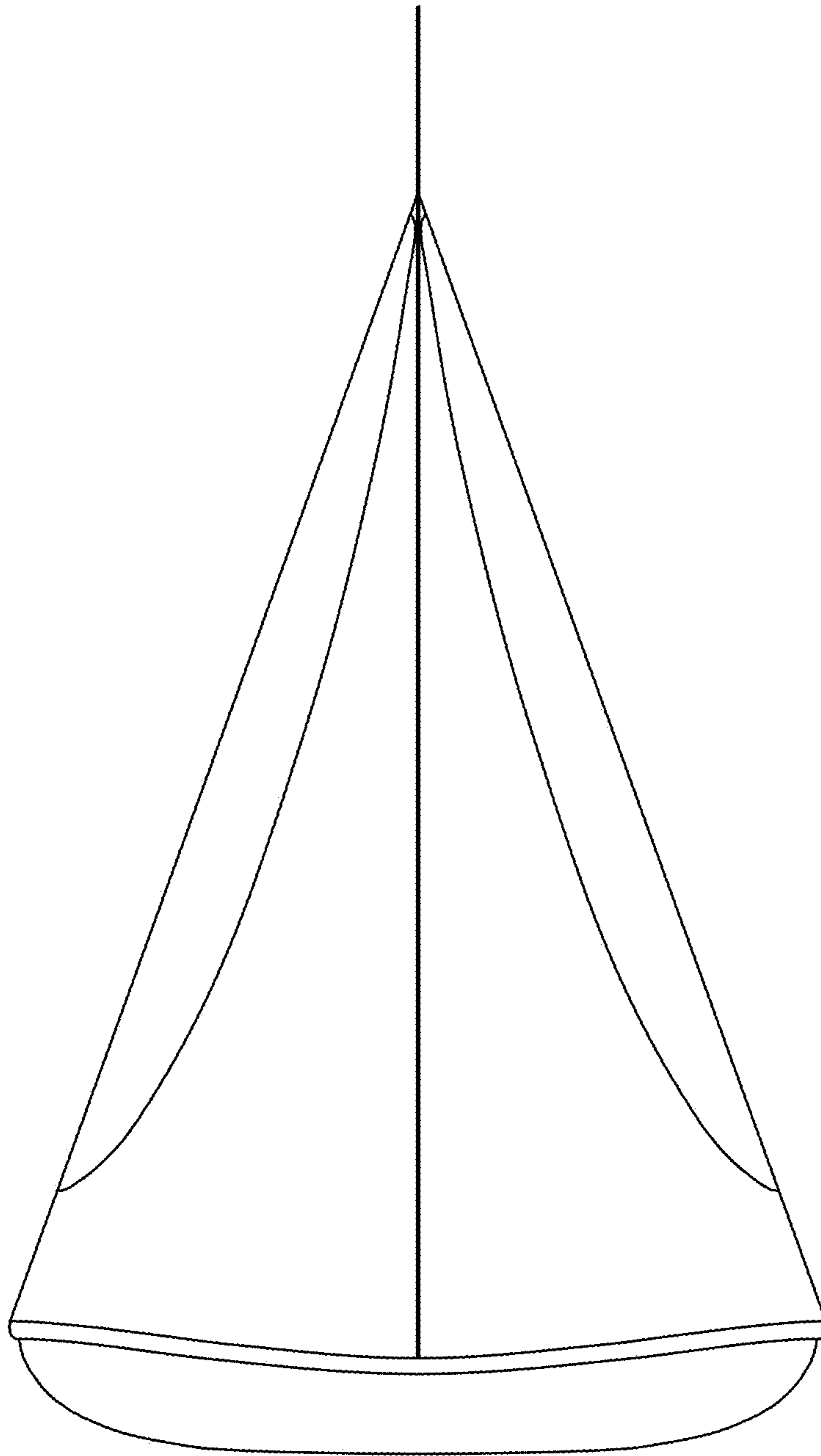


FIG. 5

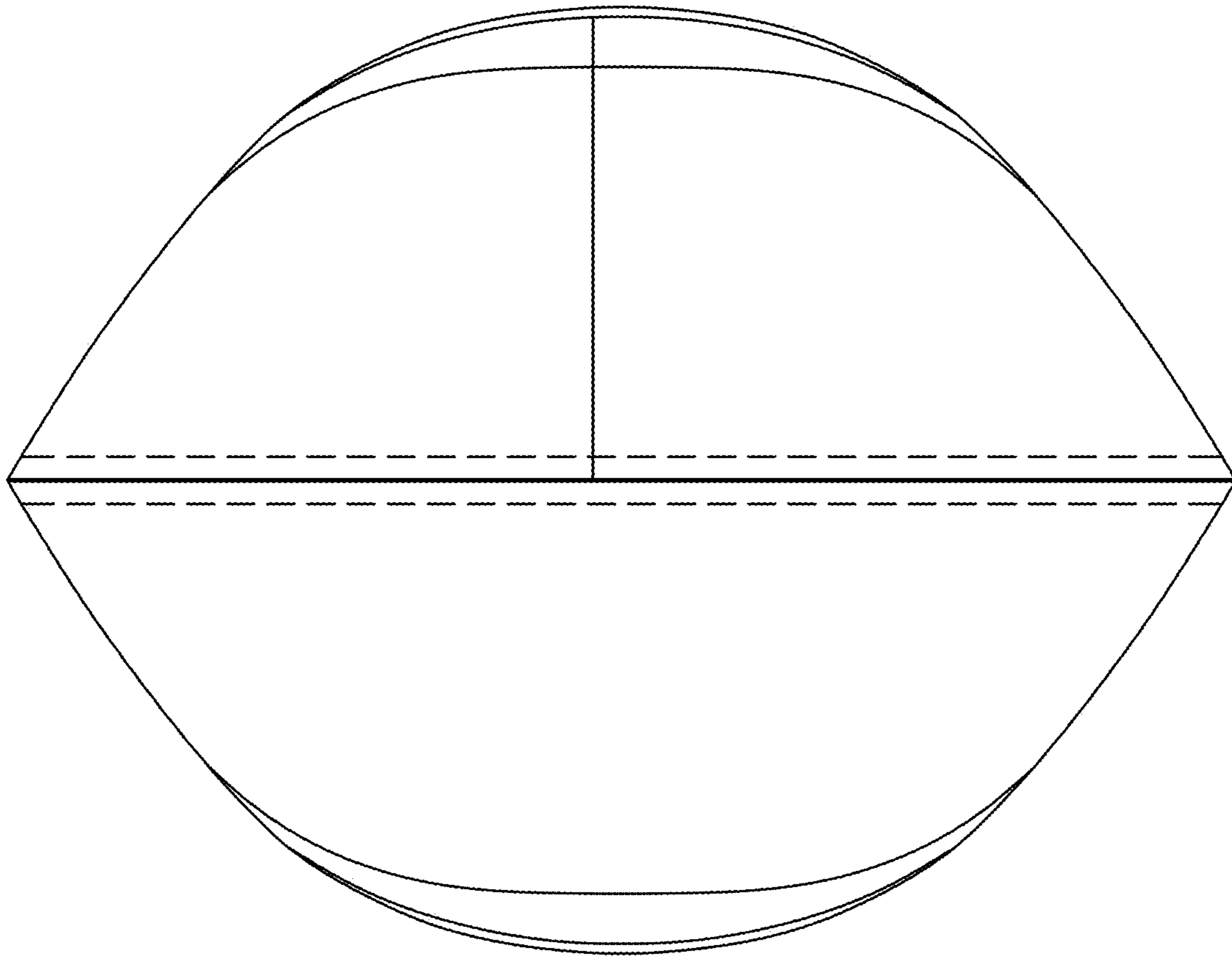


FIG. 6

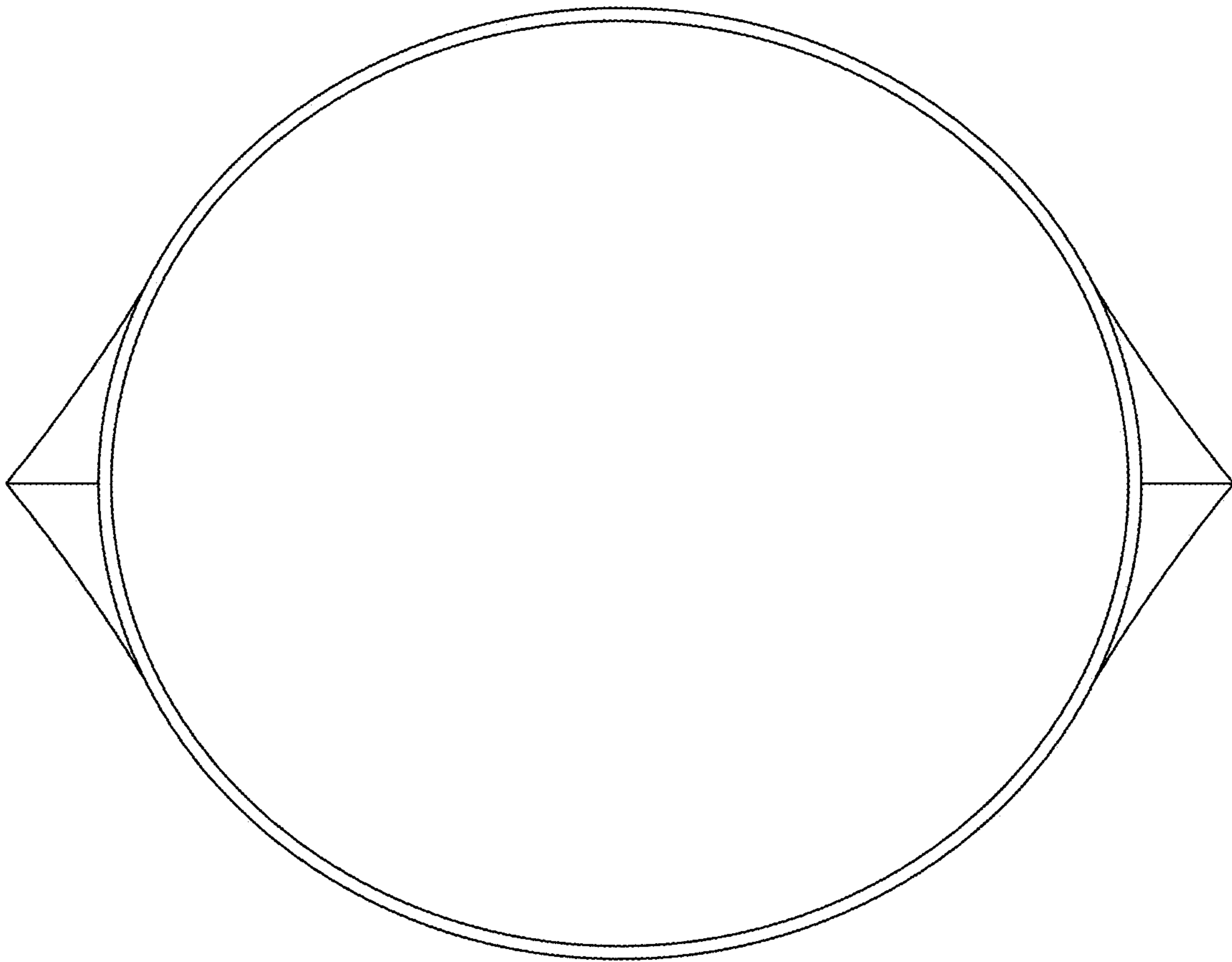


FIG. 7

UNITED STATES PATENT AND TRADEMARK OFFICE
CERTIFICATE OF CORRECTION

PATENT NO. : D882,411 S
APPLICATION NO. : 29/668097
DATED : April 28, 2020
INVENTOR(S) : Jacobsson et al.

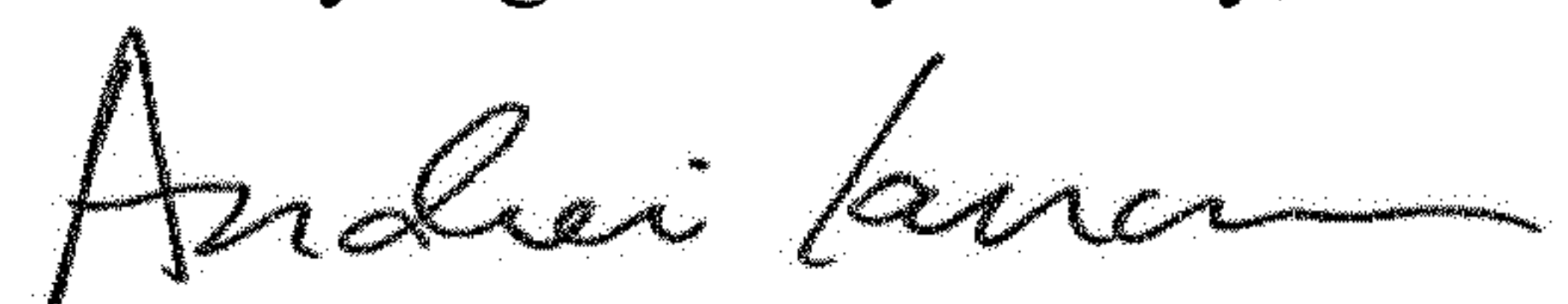
Page 1 of 1

It is certified that error appears in the above-identified patent and that said Letters Patent is hereby corrected as shown below:

On the Title Page

In Column 2, Description, please delete the description of FIGURE 4 and insert -- FIGURE 4 is a right side elevational view thereof; --

Signed and Sealed this
Twenty-eighth Day of July, 2020



Andrei Iancu
Director of the United States Patent and Trademark Office