



US00D882410S

(12) **United States Design Patent** (10) **Patent No.:** **US D882,410 S**
Tan (45) **Date of Patent:** **** Apr. 28, 2020**

(54) **SEALABLE WAVE BAG**

- (71) Applicant: **Pan Pacific Plastics Mfg., Inc.**,
Hayward, CA (US)
- (72) Inventor: **Hin Siang Michael Tan**, Danville, CA
(US)
- (73) Assignee: **PAN PACIFIC PLASTICS MFG.,
INC.**, Hayward, CA (US)
- (**) Term: **15 Years**
- (21) Appl. No.: **29/699,453**
- (22) Filed: **Jul. 25, 2019**

Related U.S. Application Data

- (63) Continuation of application No. 29/661,712, filed on
Aug. 30, 2018, now Pat. No. Des. 855,475, which is
(Continued)
- (51) **LOC (12) Cl.** **09-05**
- (52) **U.S. Cl.**
USPC **D9/709**
- (58) **Field of Classification Search**
USPC D9/702-714, 430-434, 423, 499;
D3/303, 202, 205, 221, 226, 246, 240,
(Continued)

(56) **References Cited**

U.S. PATENT DOCUMENTS

- D241,321 S 9/1976 Paige
 - 4,125,220 A 11/1978 Suominen
- (Continued)

FOREIGN PATENT DOCUMENTS

- AU 5715973 A 1/1975
 - BE 829266 9/1975
- (Continued)

OTHER PUBLICATIONS

Hin Siang Michael Tan, U.S. Appl. No. 15/374,764, filed Dec. 9,
2016.
(Continued)

Primary Examiner — Abraham Bahta
(74) *Attorney, Agent, or Firm* — Beyer Law Group LLP

(57) **CLAIM**

I claim the ornamental design for a sealable wave bag,
substantially as shown and described.

DESCRIPTION

FIG. 1 is a front right perspective view of a sealable wave bag showing my new design.

FIG. 2 is a front view of the sealable wave bag of FIG. 1, the rear view being a mirror image thereof.

FIG. 3 is a left side view thereof, the right side view being a mirror image thereof.

FIG. 4 is a top view thereof.

FIG. 5 is a bottom view thereof.

FIG. 6 is an interior view of a rear sheet-like panel, taken along the plane of the line 6-6 in FIG. 3.

FIG. 7 is an interior view of a front sheet-like panel, taken along the plane of the line 7-7 in FIG. 3.

FIG. 8 is a front right perspective view of the sealable wave bag of FIG. 1, illustrating the sealable wave bag in an opened position.

FIG. 9 is a front left perspective view thereof.

FIG. 10 is a front right perspective view of the opened sealable wave bag of FIG. 8, illustrating the opened sealable wave bag with a front handle flap folded down.

FIG. 11 is a front right perspective view of the opened sealable wave bag of FIG. 8, illustrating the opened sealable wave bag with both the front and a rear handle flap folded down.

FIG. 12 is a front right perspective view of the opened sealable wave bag of FIG. 10, illustrating content, shown in dash-dot-dash lines, contained in the opened sealable wave bag, as well as partial removal of a protective cover over an adhesive seal.

(Continued)

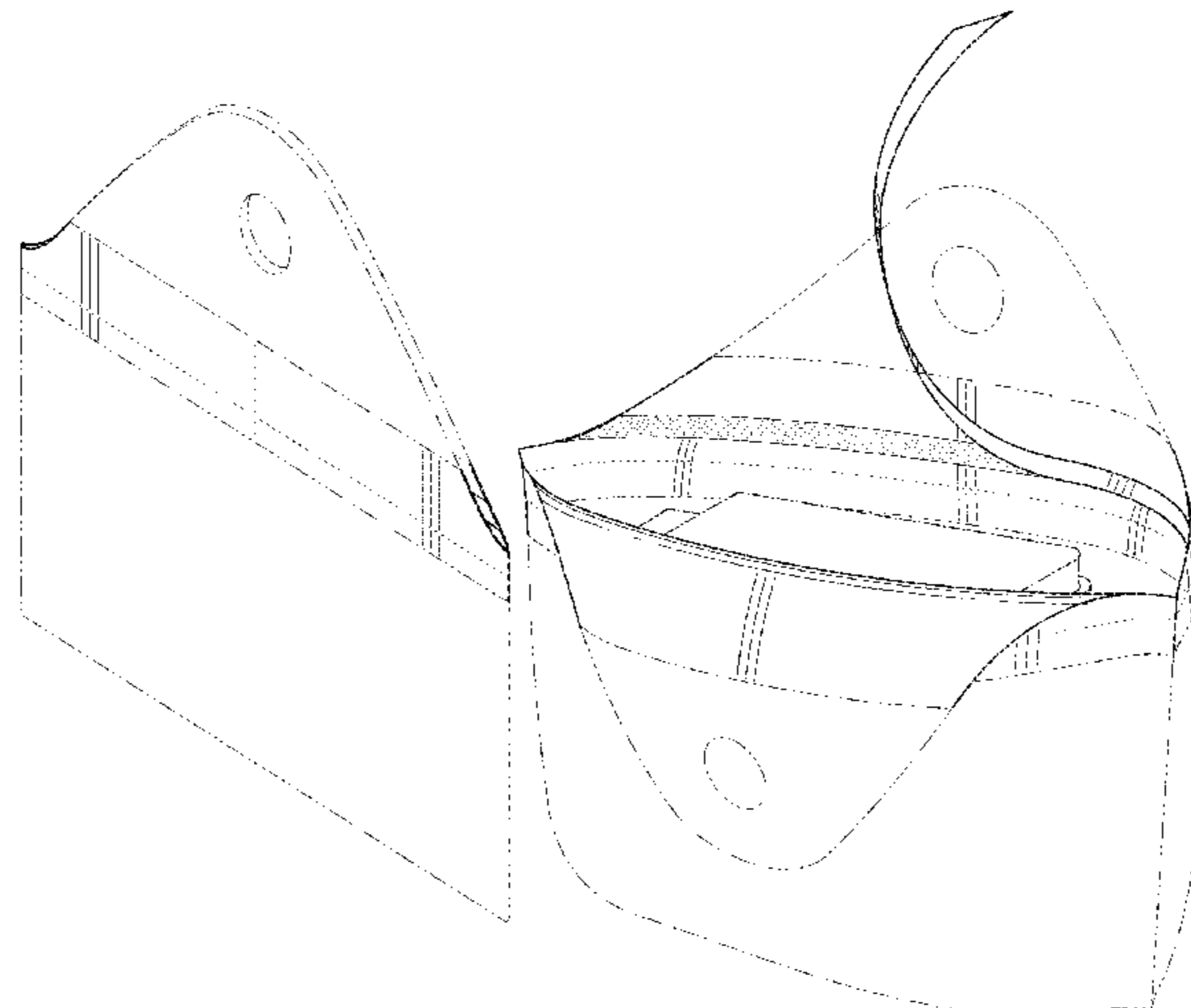


FIG. 13 is a front right perspective view of the sealable wave bag of FIG. 12, illustrating the front and rear handle flaps sealed together by the adhesive seal at the region generally represented by the two horizontal parallel lines; and,

FIG. 14 is a front right perspective view of the sealable wave bag of FIG. 13, illustrating the front and rear handle flaps removed from the remaining wave bag, via perforations, shown in dash-dash lines, to access the contents, shown in dash-dot-dash lines.

The dash-dot-dot-dash lines in the Figures show portions of the sealable wave bag which form no part of the claimed design.

The dash-dot-dash line showing of content within the sealable wave bag is included for the purpose of illustrating environmental structure and forms no part of the claimed design.

The dash-dash lines illustrate perforations in the sealable wave bag for the purpose of opening the sealed wave bag. The shade lines in the Figures show contours and not surface ornamentation.

1 Claim, 12 Drawing Sheets

Related U.S. Application Data

a continuation of application No. 29/611,777, filed on Jul. 25, 2017, now Pat. No. Des. 830,850, which is a continuation of application No. 15/388,740, filed on Dec. 22, 2016, which is a continuation-in-part of application No. 15/374,764, filed on Dec. 9, 2016, now abandoned.

(58) **Field of Classification Search**

USPC D3/304–315, 201, 276; 383/6, 105–120, 383/127, 10; 220/915.1, 915.2, 592.01, 220/773, 755; D7/601, 605–607, D7/709–710, 393, 394, 395, 602, 622, D7/624.2; 206/139, 428, 488, 427, 433, 206/434, 432; 229/117.19, 116.5, 923, 229/87.03, 87.18, 87.19, 117.09; 150/100, 107; 493/226; 215/399, 396
CPC B65D 33/00; B65D 33/12; B65D 33/16; B65D 31/00; B65D 31/10; B65D 5/00; B65D 5/06; A45C 1/00; A45C 1/02; A45C 3/06; A45C 3/00; A45C 3/10

See application file for complete search history.

(56) **References Cited**

U.S. PATENT DOCUMENTS

4,216,899 A 8/1980 Kamp
D258,204 S 2/1981 Rudenschold

4,717,262 A	1/1988	Roen	
4,759,643 A	7/1988	Canno	
4,877,335 A	10/1989	Barnard	
4,932,791 A	6/1990	Vetter	
5,045,040 A	9/1991	Vetter	
5,338,118 A	8/1994	DeMatteis	
5,720,557 A	2/1998	Simonsen	
D404,203 S	1/1999	Maier-Aichen	
D684,369 S	6/2013	Daigle	
D706,030 S	6/2014	Wang	
D755,510 S	5/2016	Haast	
D782,918 S *	4/2017	Ross	D9/705
D784,157 S	4/2017	Ross	
D796,967 S	9/2017	Abang, Jr.	
D830,850 S *	10/2018	Tan	B65B 7/02 D9/709
2003/0232112 A1	12/2003	Whitmore	
2004/0042688 A1	3/2004	Lee	
2006/0017279 A1	1/2006	Wu	
2007/0031067 A1	2/2007	Gebhardt	
2008/0063325 A1	3/2008	Miller et al.	
2008/0247683 A1	10/2008	Schmal et al.	
2009/0226121 A1	9/2009	Veder	
2013/0022714 A1	1/2013	Coderre	
2014/0241847 A1	8/2014	Short	
2014/0270598 A1	9/2014	Pang	
2015/0197388 A1	7/2015	Maglio, Jr.	
2016/0229613 A1	8/2016	Morofuji	
2017/0166358 A1	6/2017	Chandaria	

FOREIGN PATENT DOCUMENTS

DE	102013020683	12/2013
JP	2016098039	5/1916

OTHER PUBLICATIONS

Hin Siang Michael Tan, U.S. Appl. No. 15/388,740, filed Dec. 22, 2016.
Hin Siang Michael Tan, U.S. Appl. No. 29/611,777, filed Jul. 25, 2017.
Hin Siang Michael Tan, U.S. Appl. No. 15/832,412, filed Dec. 5, 2017.
Hin Siang Michael Tan, U.S. Appl. No. 29/661,712, filed Aug. 30, 2018.
Hin Siang Michael Tan, U.S. Appl. No. 29/693,676, filed Jun. 4, 2019.
IPS Industries, “Tamper Safe & Reusable” brochure, www.IPSPI.com, obtained in 2017, prior to Dec. 5, 2017.
Pak Sher, “IntegriLiner” brochure, www.paksher.com, obtained in 2017, prior to Dec. 5, 2017.
Pak Sher, “IntegriBag” brochure, www.paksher.com, obtained in 2017, prior to Dec. 5, 2017.
International Application No. PCT/US2017/064767 filed Dec. 5, 2017.
Office Action U.S. Appl. No. 15/382,412 Dated Feb. 6, 2018.
Office Action U.S. Appl. No. 15/832,412 Dated Jun. 11, 2018.
Final Office Action U.S. Appl. No. 15/832,412 Dated Nov. 16, 2018.
Hand-Carry Published May 30, 2016.

* cited by examiner

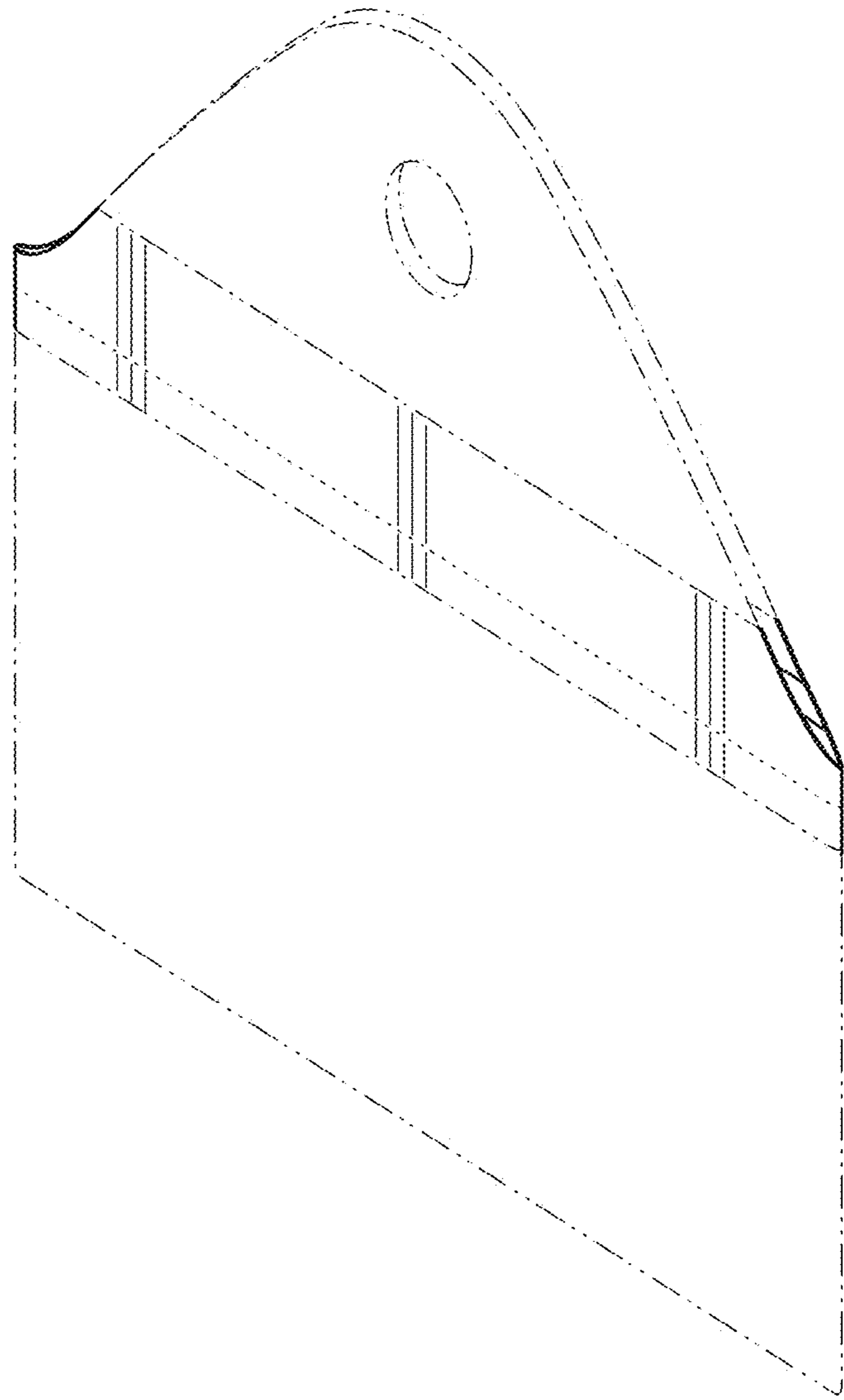


FIG. 1

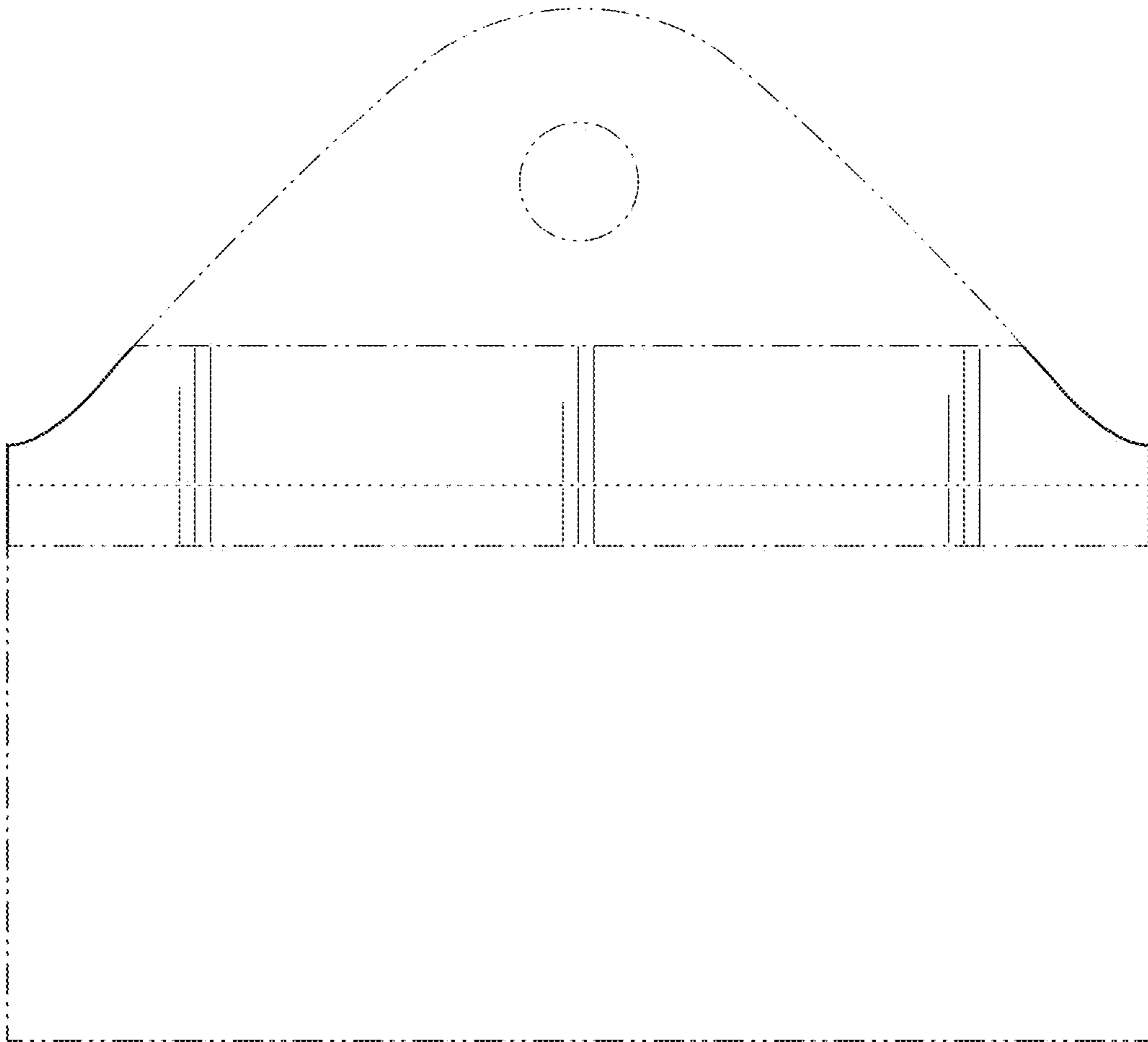


FIG. 2

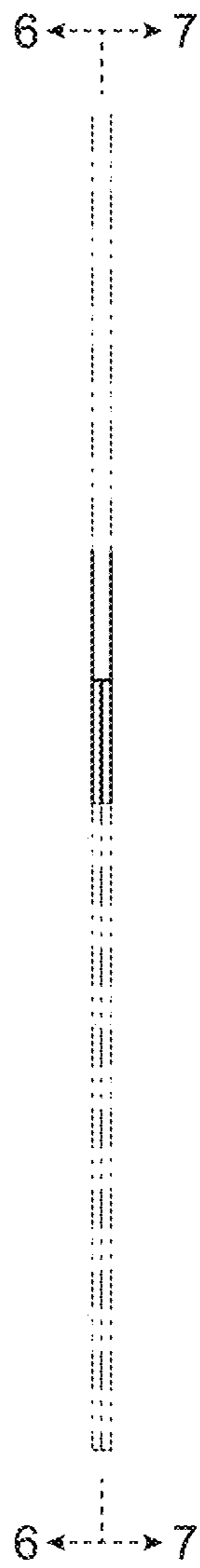


FIG. 3

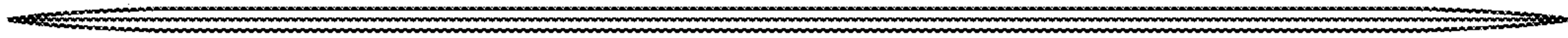


FIG. 4

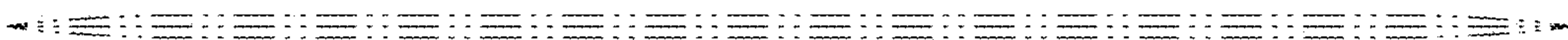


FIG. 5

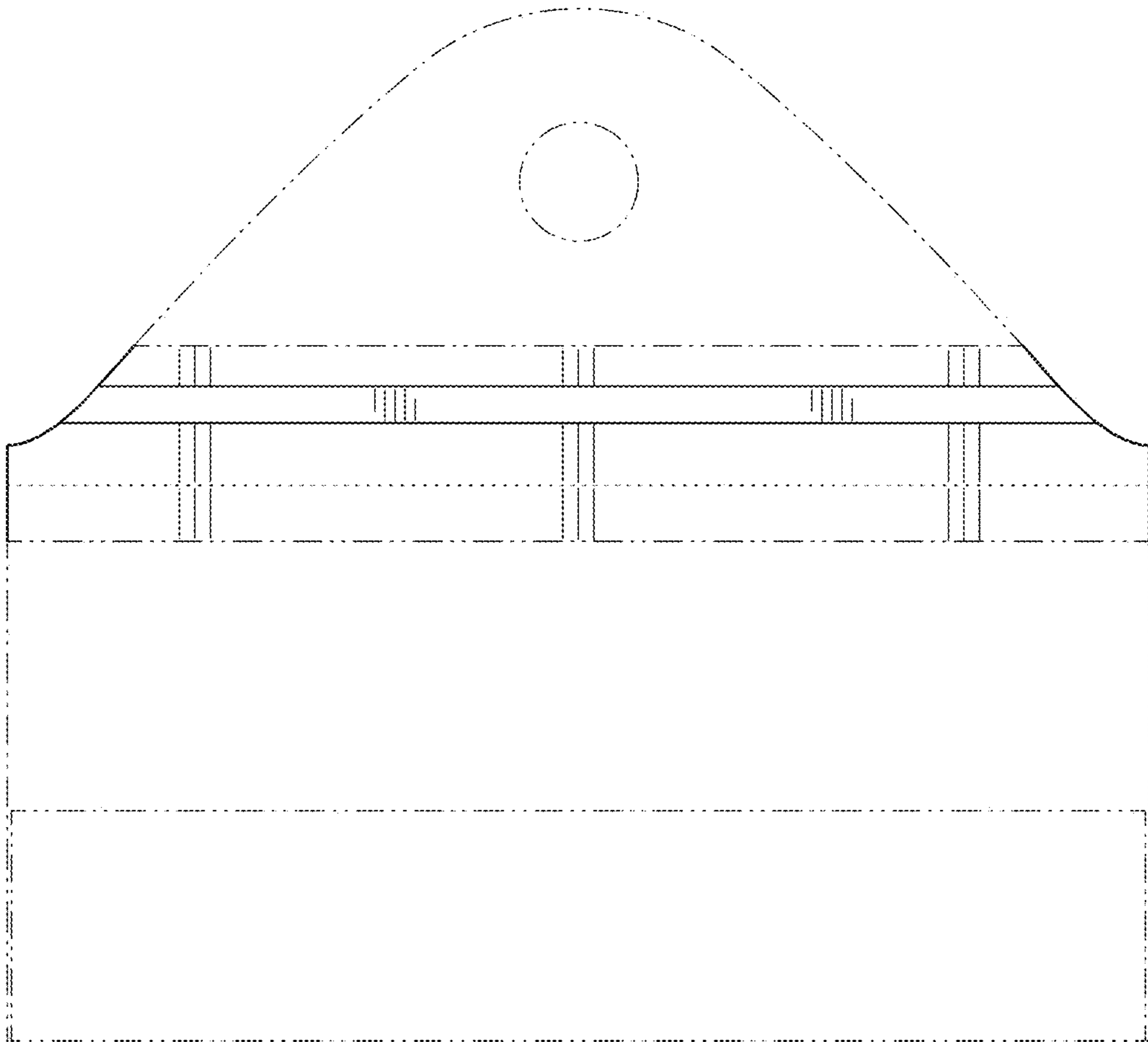


FIG. 6

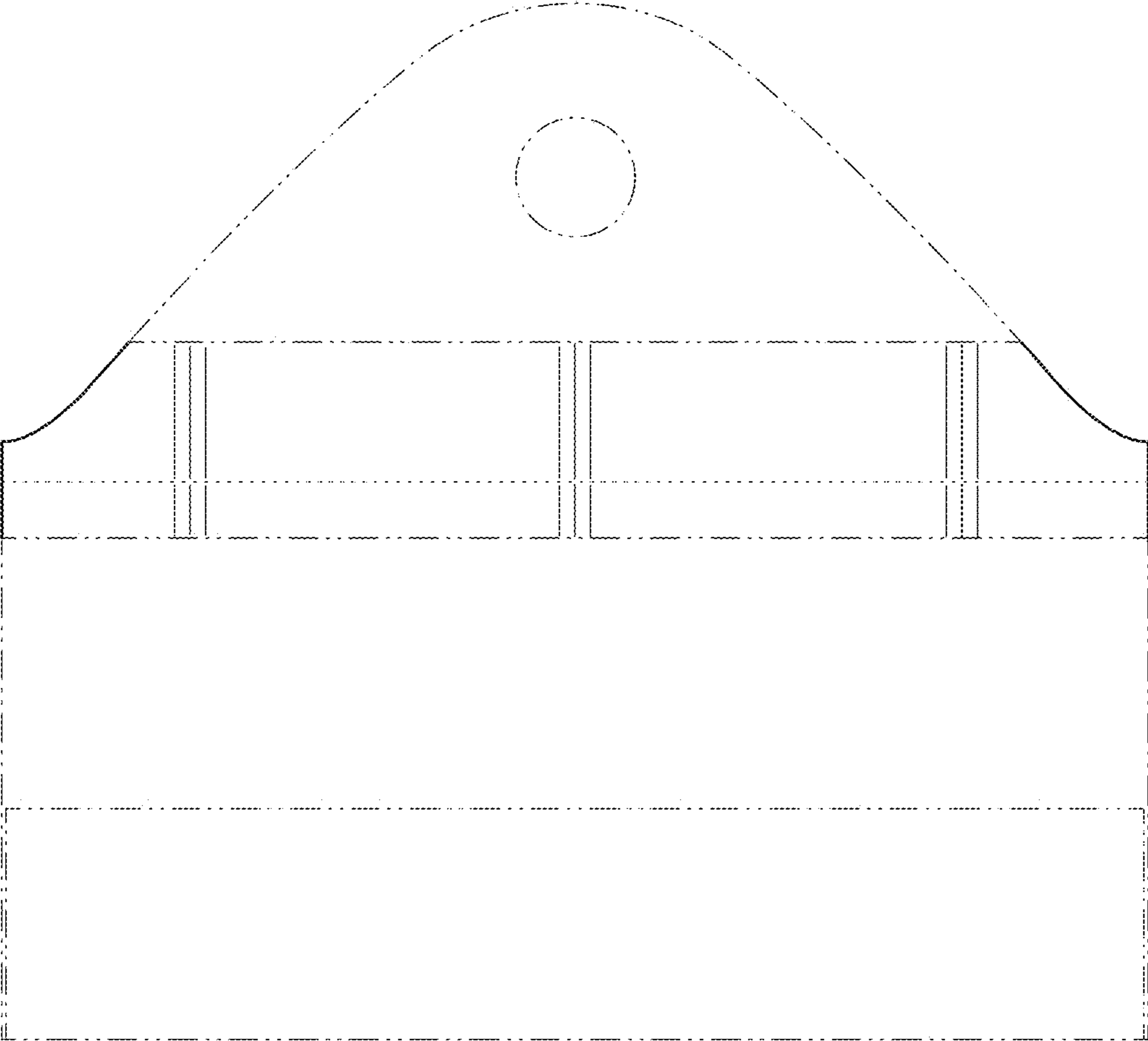


FIG. 7

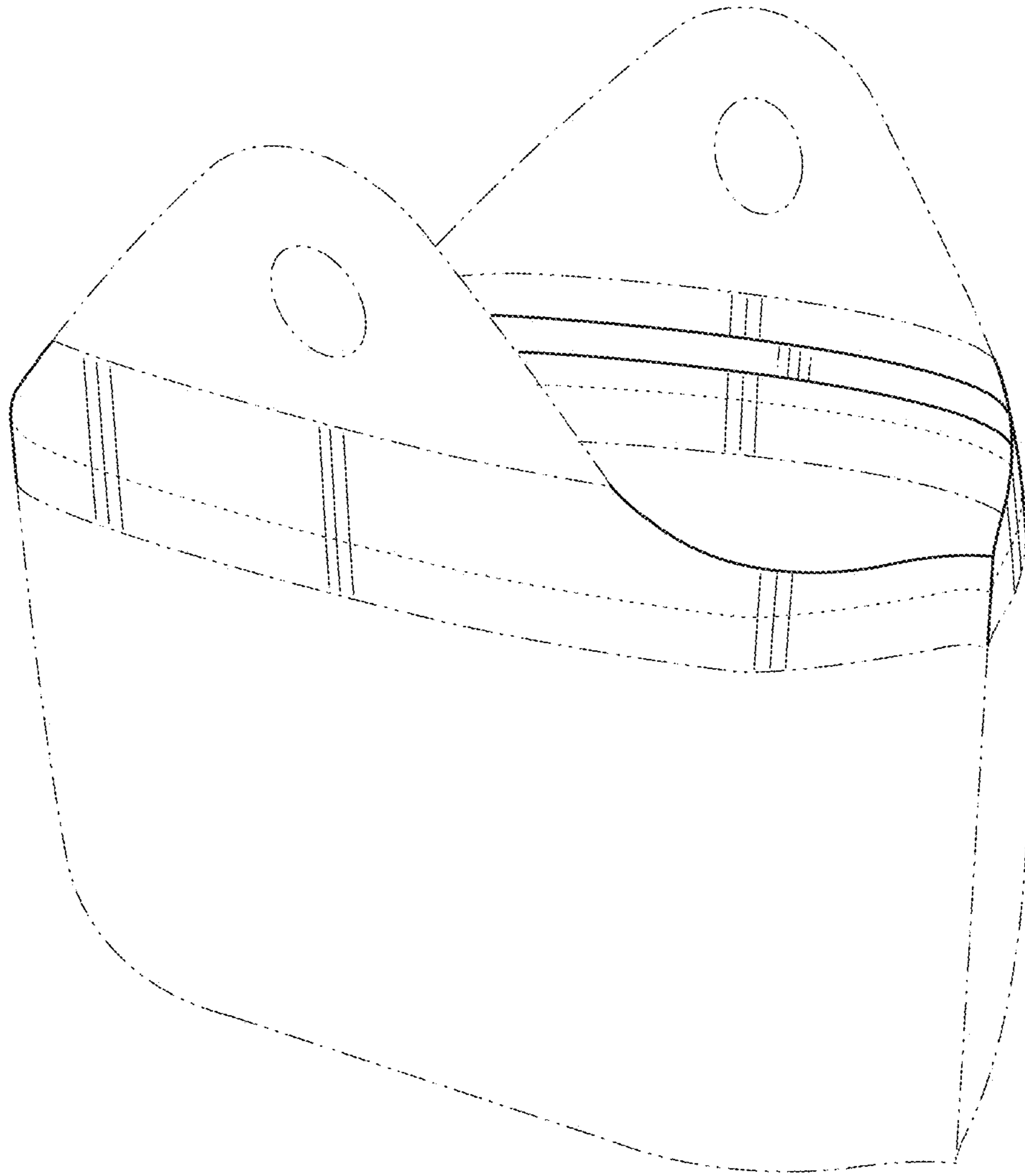


FIG. 8

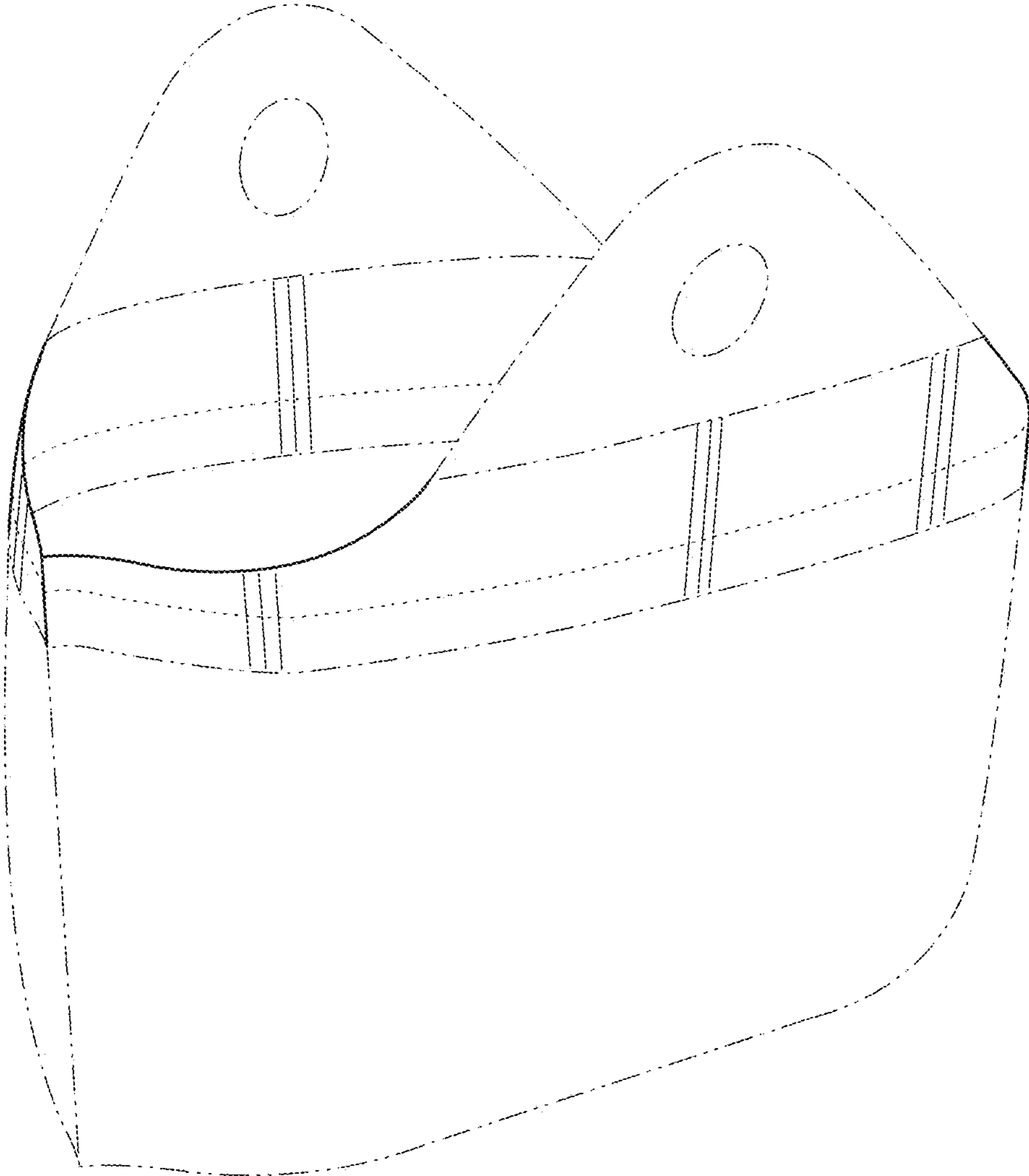


FIG. 9

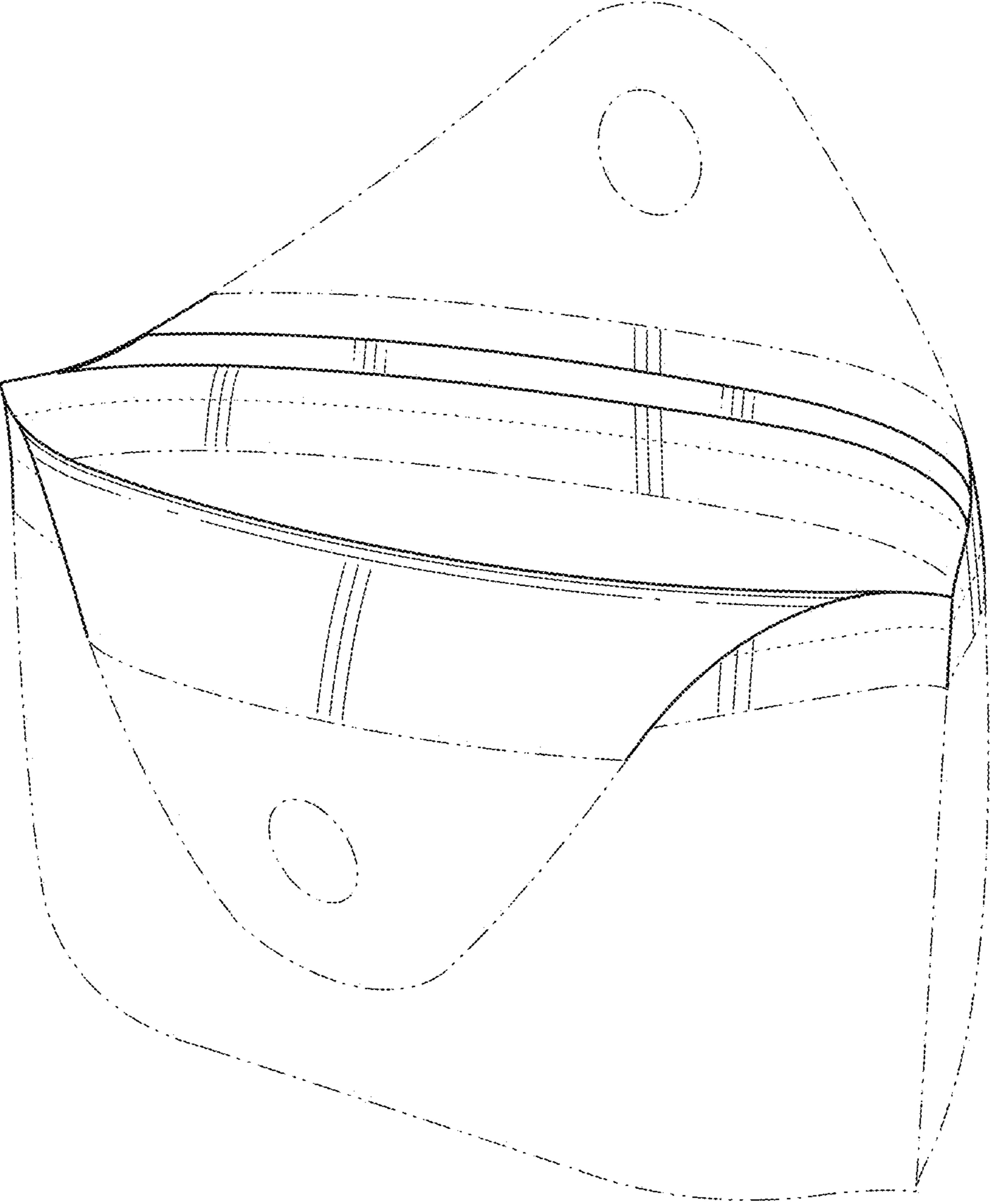


FIG. 10

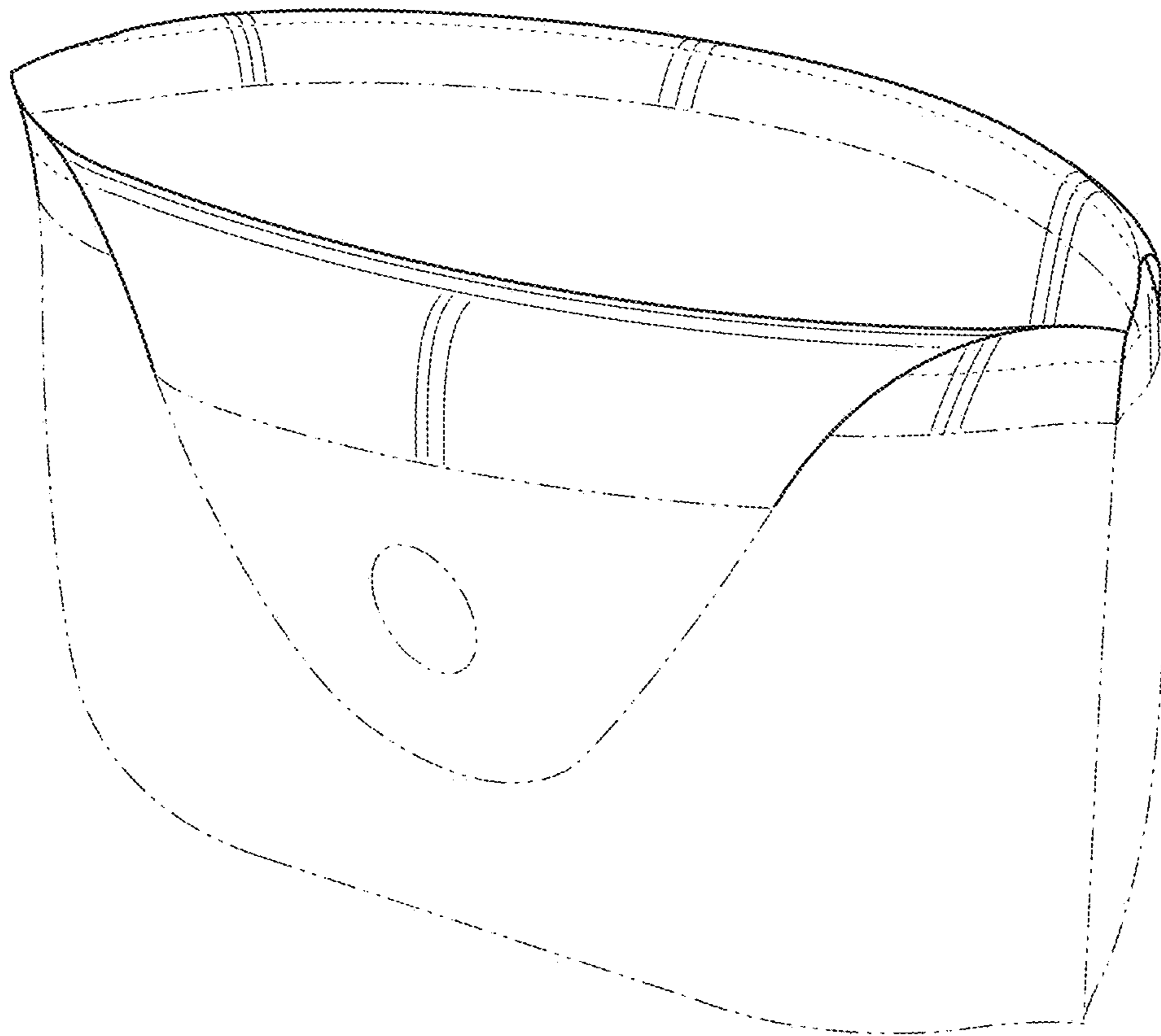


FIG. 11

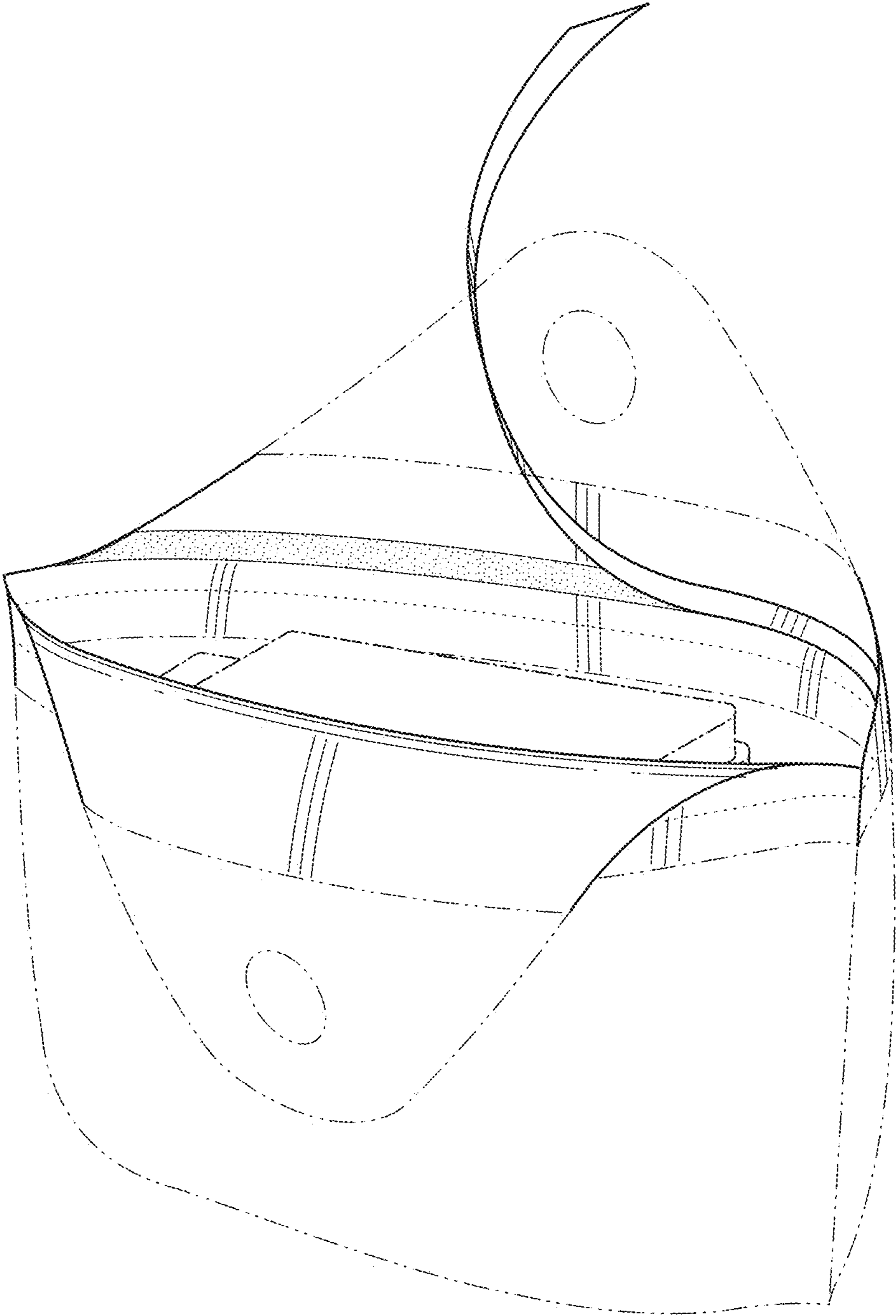


FIG. 12

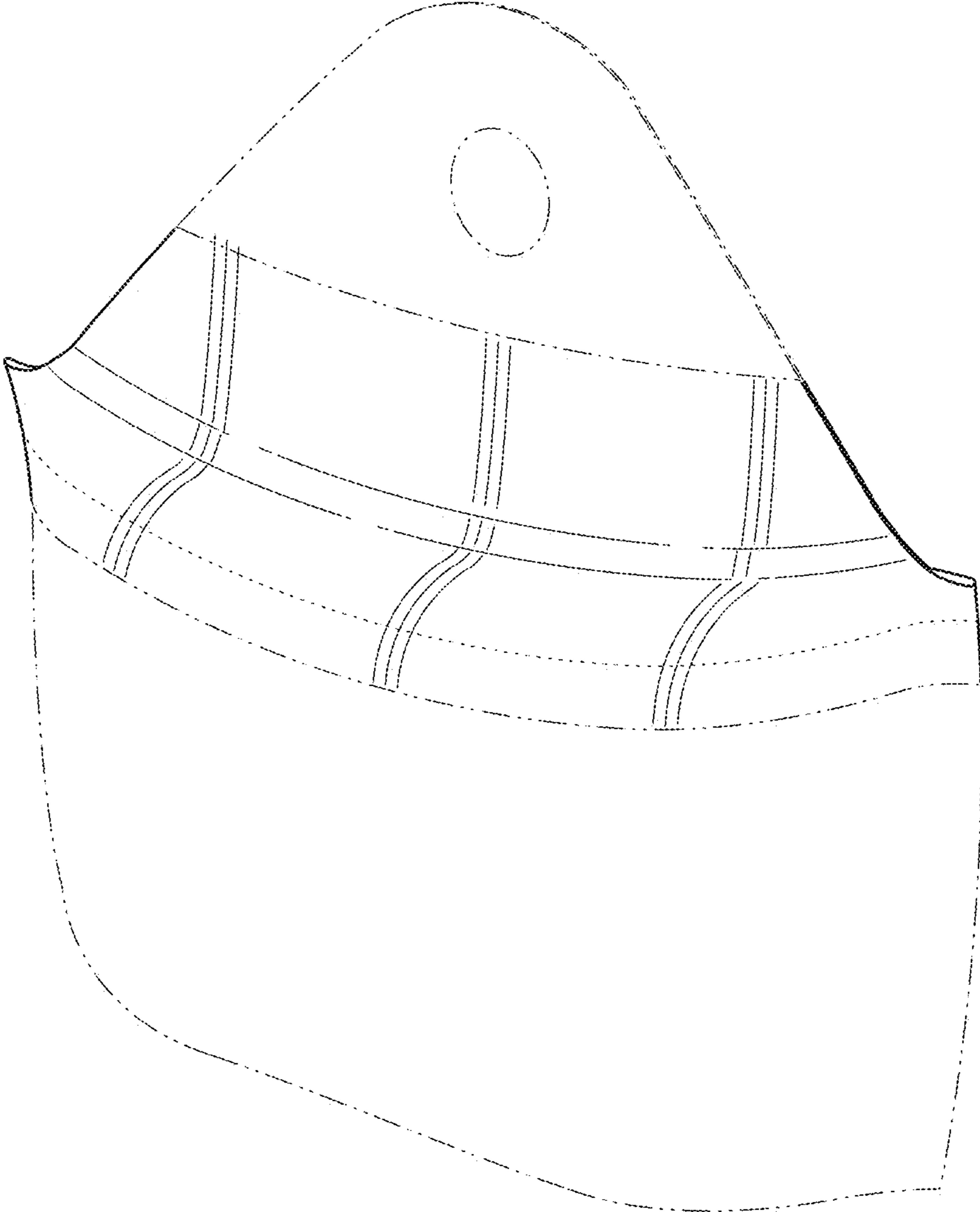


FIG. 13

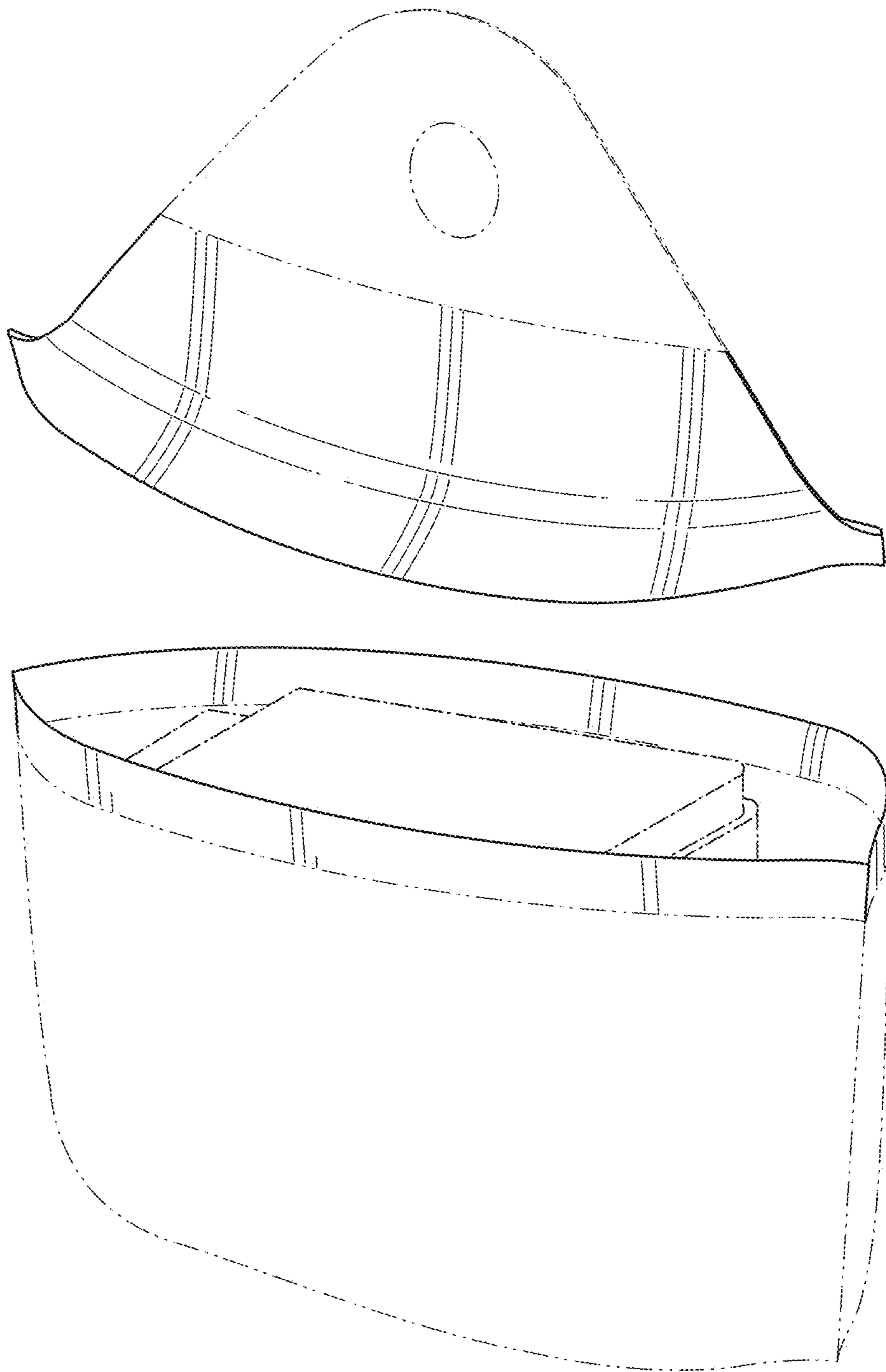


FIG. 14