



US00D882409S

(12) **United States Design Patent**
Wong

(10) **Patent No.:** **US D882,409 S**

(45) **Date of Patent:** **** Apr. 28, 2020**

- (54) **TRAVEL BOTTLE**
- (71) Applicant: **KwunHang Wong**, Hongkong (CN)
- (72) Inventor: **KwunHang Wong**, Hongkong (CN)
- (73) Assignee: **Yuangdong Electrical Industry (Shenzhen) Co., Ltd.**, Shenzhen (CN)
- (**) Term: **15 Years**
- (21) Appl. No.: **29/667,949**
- (22) Filed: **Oct. 25, 2018**
- (51) **LOC (12) Cl.** **09-01**
- (52) **U.S. Cl.**
USPC **D9/686**
- (58) **Field of Classification Search**
USPC D9/682-694, 719, 723-729, 544-546,
D9/559-575, 448; D28/76, 77, 91, 91.1;
D23/366
CPC .. B05B 11/00-3098; B65D 2501/0081; B65D
83/14; B65D 83/16; B65D 83/20; B65D
83/201; B65D 83/205; B65D 83/206;
B65D 83/207; B65D 83/38; B65D
83/382; B65D 83/384; B65D 83/386;
B65D 83/40; B65D 83/42; B65D 83/75;
B65D 83/752; A45D 34/02-06; A45D
2034/0002; A45D 2034/0005; A45D
2200/05-10
See application file for complete search history.

- D610,463 S * 2/2010 Duchaufour-Lawrance
D9/600
- D655,200 S * 3/2012 Gross B65D 83/56
D9/687
- 8,308,030 B2 * 11/2012 Dugeon A45D 34/02
215/272
- 8,490,837 B2 * 7/2013 Michaux B65D 83/22
222/153.13
- D689,997 S * 9/2013 Caroën D23/366
- D712,596 S * 9/2014 Lee D28/77
- D744,697 S * 12/2015 Chertoff D28/76
- D751,415 S * 3/2016 Otani D9/686
- D764,309 S * 8/2016 Yakos D9/682

(Continued)

FOREIGN PATENT DOCUMENTS

- CN 301837870 * 2/2012
- CN 303384526 * 9/2015

(Continued)

Primary Examiner — Catherine A Tuttle
(74) *Attorney, Agent, or Firm* — Justin Lampel

(57) **CLAIM**

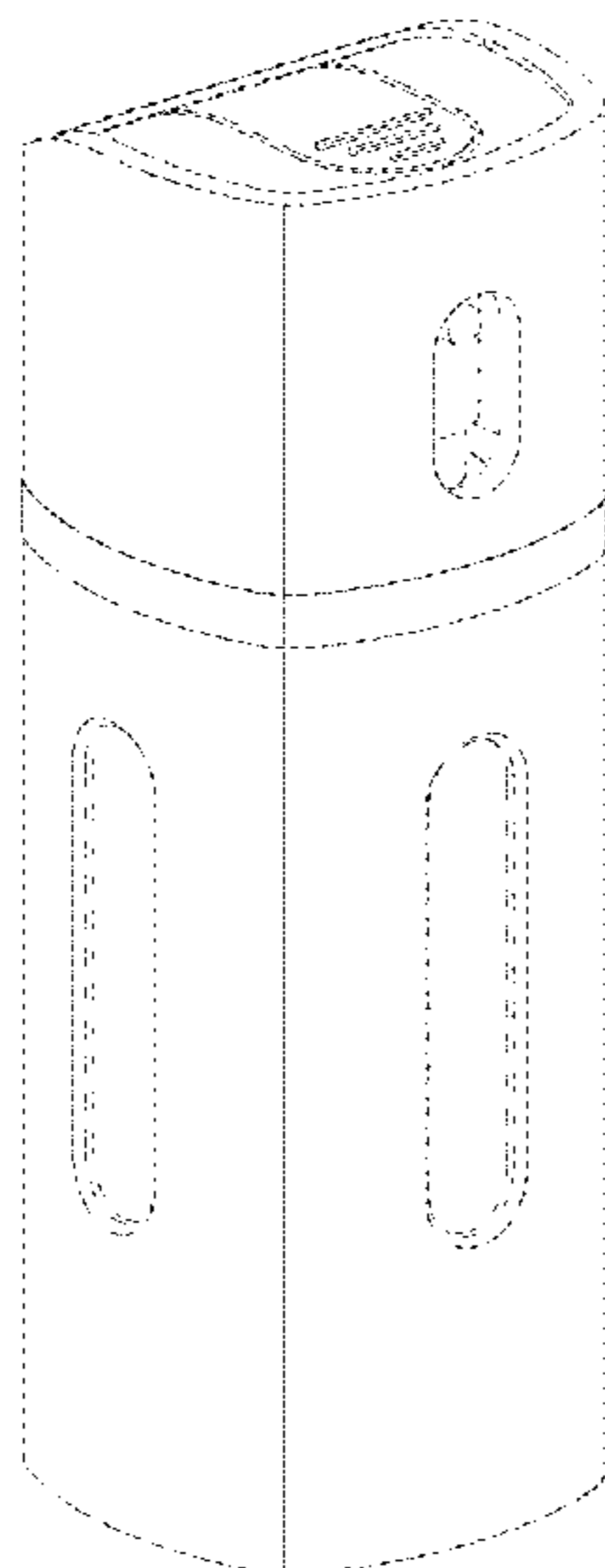
The ornamental design for a travel bottle, as shown and described.

DESCRIPTION

FIG. 1 is a perspective view of a travel bottle showing my new design;
 FIG. 2 is a top plan view thereof;
 FIG. 3 is a rear elevational view thereof;
 FIG. 4 is a bottom plan view thereof;
 FIG. 5 is a right side view thereof;
 FIG. 6 is a front elevational view thereof; and,
 FIG. 7 is a left side view thereof.
 The broken lines depict elements of the travel bottle that form no part of the claimed design. The unshaded areas within the bottom end and each oblong region containing broken lines likewise form no part of the claimed design.

1 Claim, 7 Drawing Sheets

- (56) **References Cited**
U.S. PATENT DOCUMENTS
- 3,632,024 A * 1/1972 Usen B65D 83/205
222/402.11
- D225,327 S * 12/1972 Marsh D23/207
- D260,605 S * 9/1981 Saunders D9/686
- D320,455 S * 10/1991 Malcolm D24/197
- D437,212 S * 2/2001 Adachi D9/686
- D541,169 S * 4/2007 Ball D9/537
- D584,638 S * 1/2009 Castelnuovo-Tedesco D9/686



(56)

References Cited

U.S. PATENT DOCUMENTS

D785,458 S * 5/2017 Futagami D9/529
D833,079 S * 11/2018 Fang D28/91.1
D833,879 S * 11/2018 Staab D9/529
D853,035 S * 7/2019 Moretti D28/76
D862,244 S * 10/2019 Servaire D9/688
10,486,177 B2 * 11/2019 Park B05B 9/0416
2009/0302062 A1 * 12/2009 Maddy B05B 15/30
222/183
2015/0232258 A1 * 8/2015 Betts B65D 83/205
222/153.11

FOREIGN PATENT DOCUMENTS

CN 304326220 * 10/2017
CN 304503377 * 2/2018
CN 304503385 * 2/2018
EM 000517248-0002 * 6/2006
EM 002041426-0004 * 5/2012
JP D1404182 * 12/2010
KR 300429311.0000 * 10/2006
KR 300515150.0000 * 12/2008
WO WO-2018169823 A1 * 9/2018 A45C 13/1069
WO WO-2018185165 A1 * 10/2018 B65D 35/12

* cited by examiner

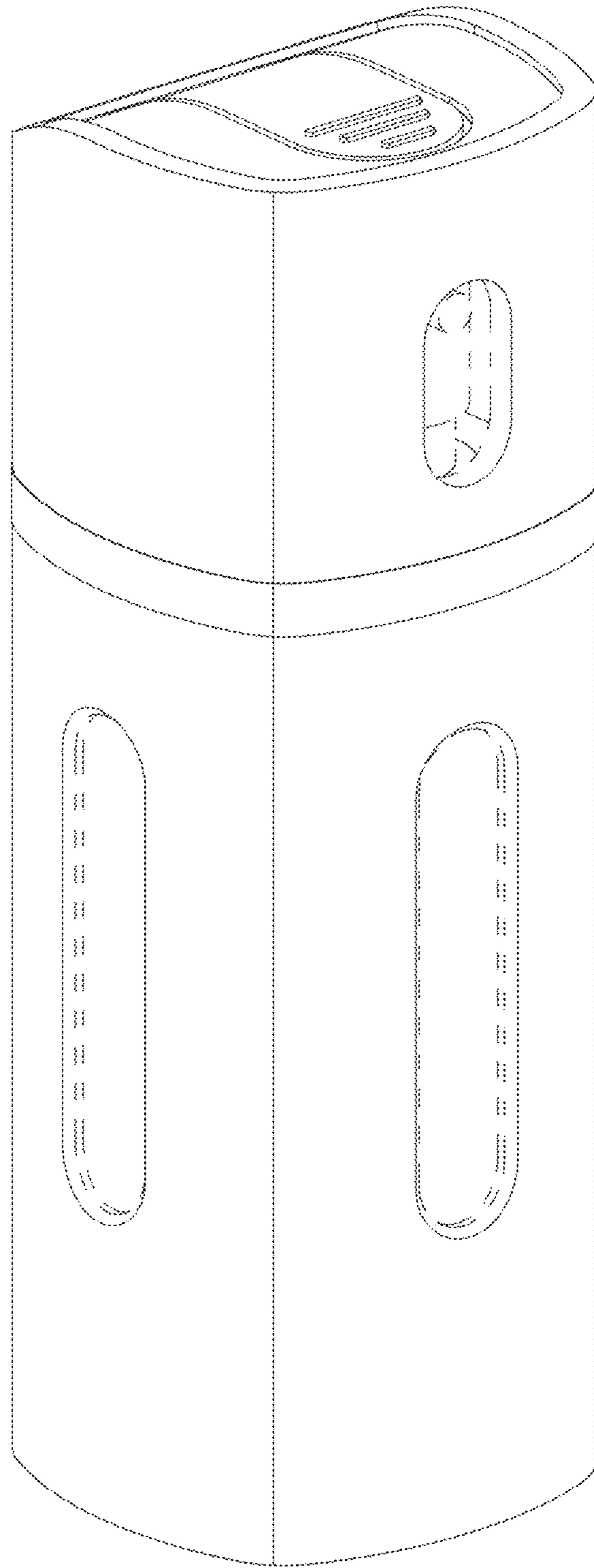


FIG.1

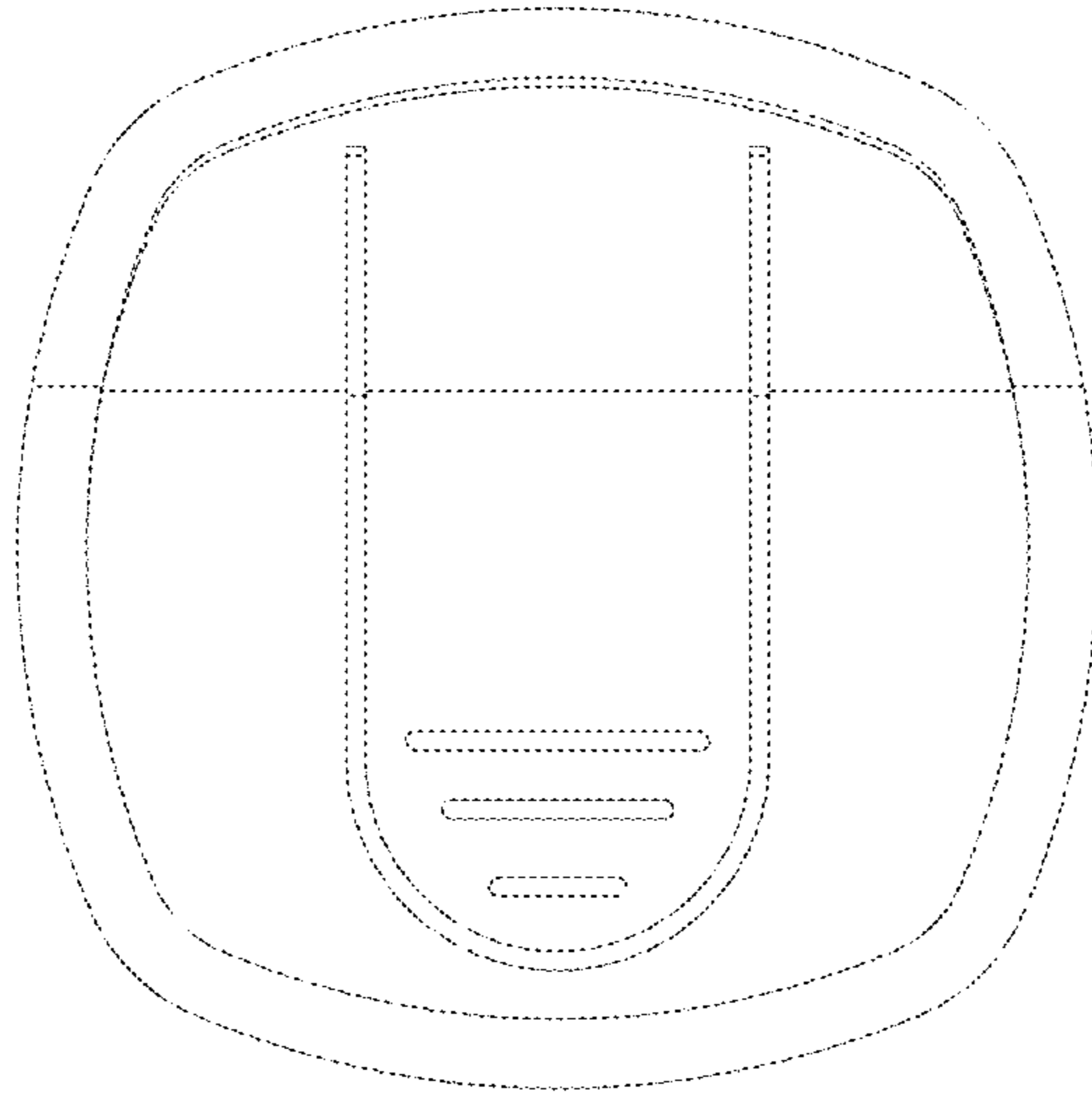


FIG.2

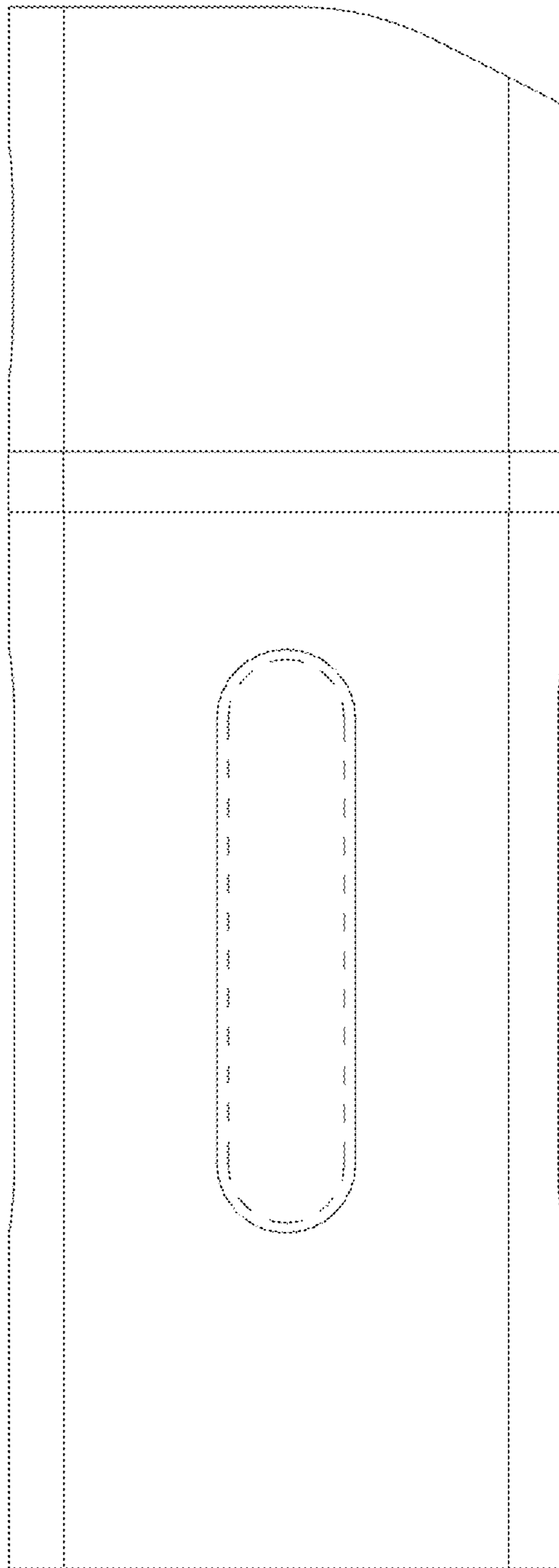


FIG. 3

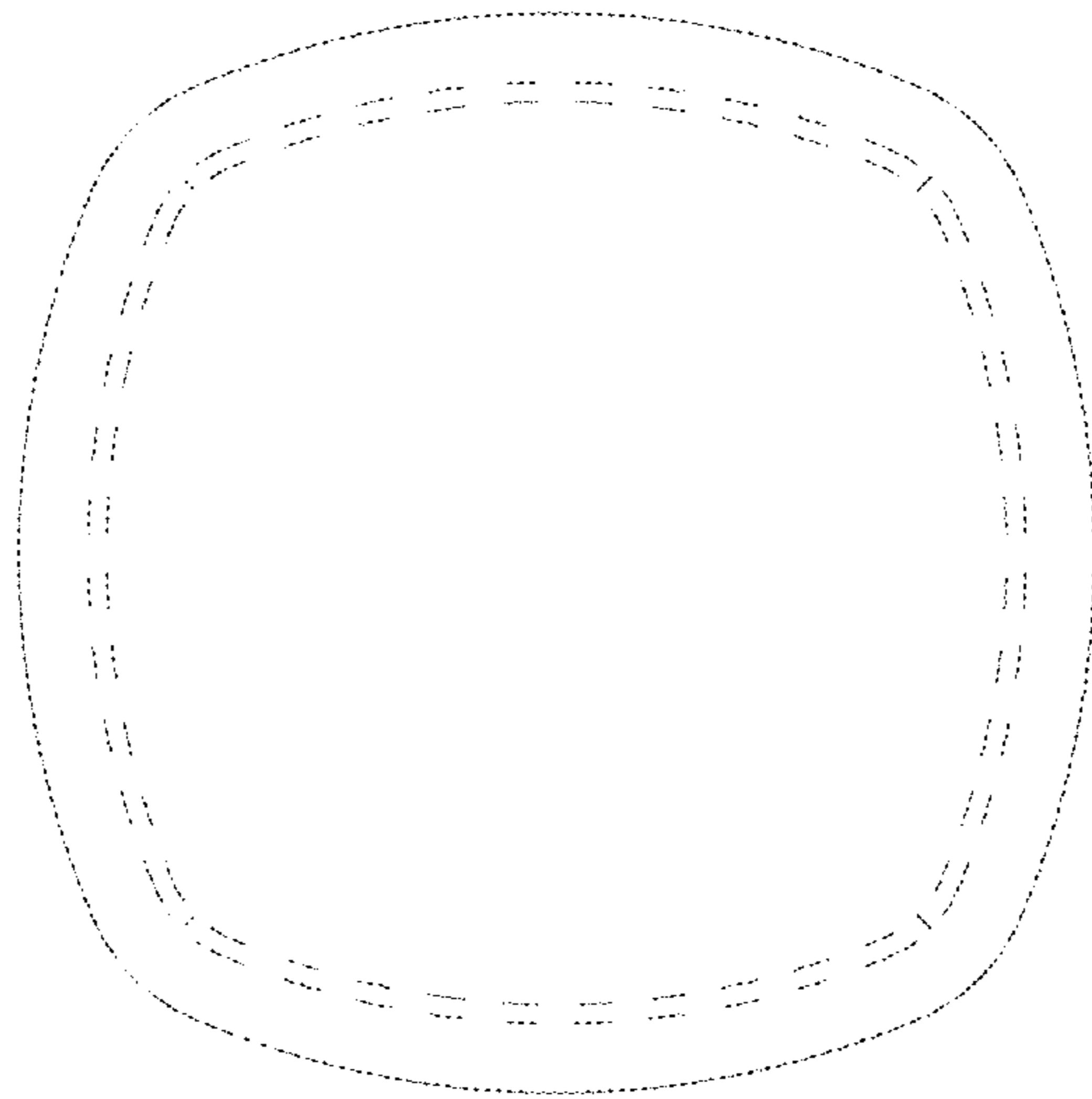


FIG.4

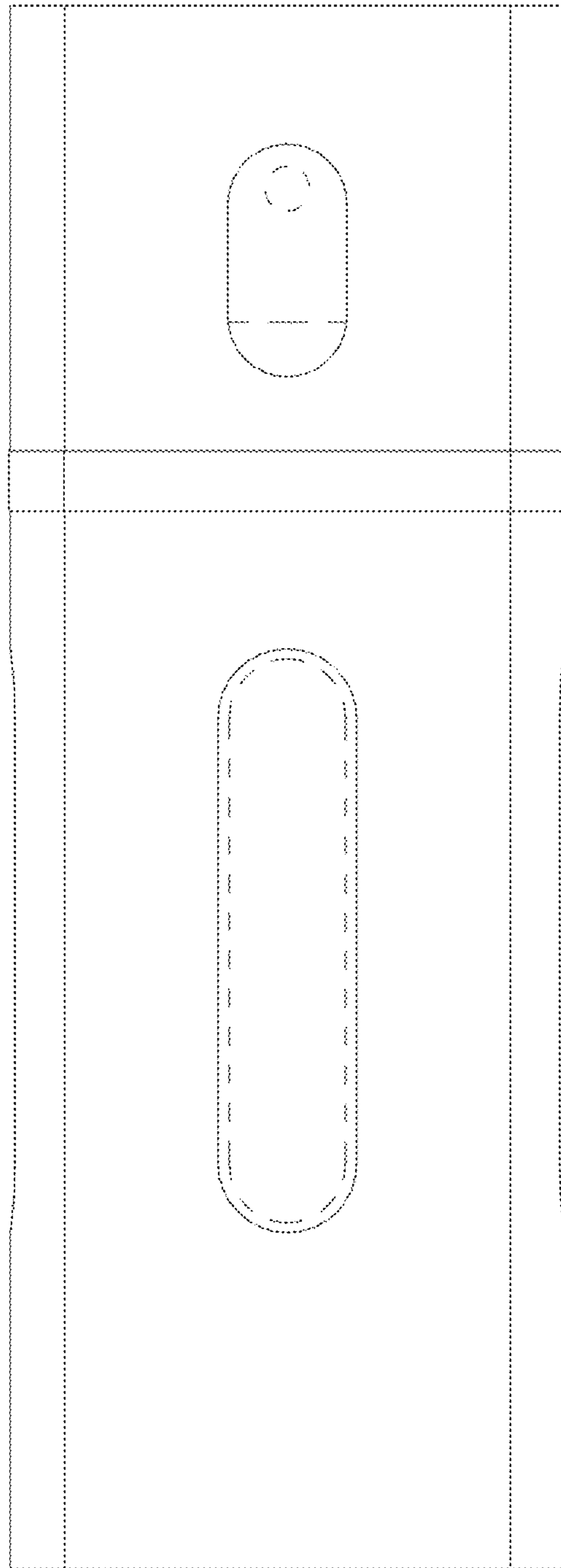


FIG. 5

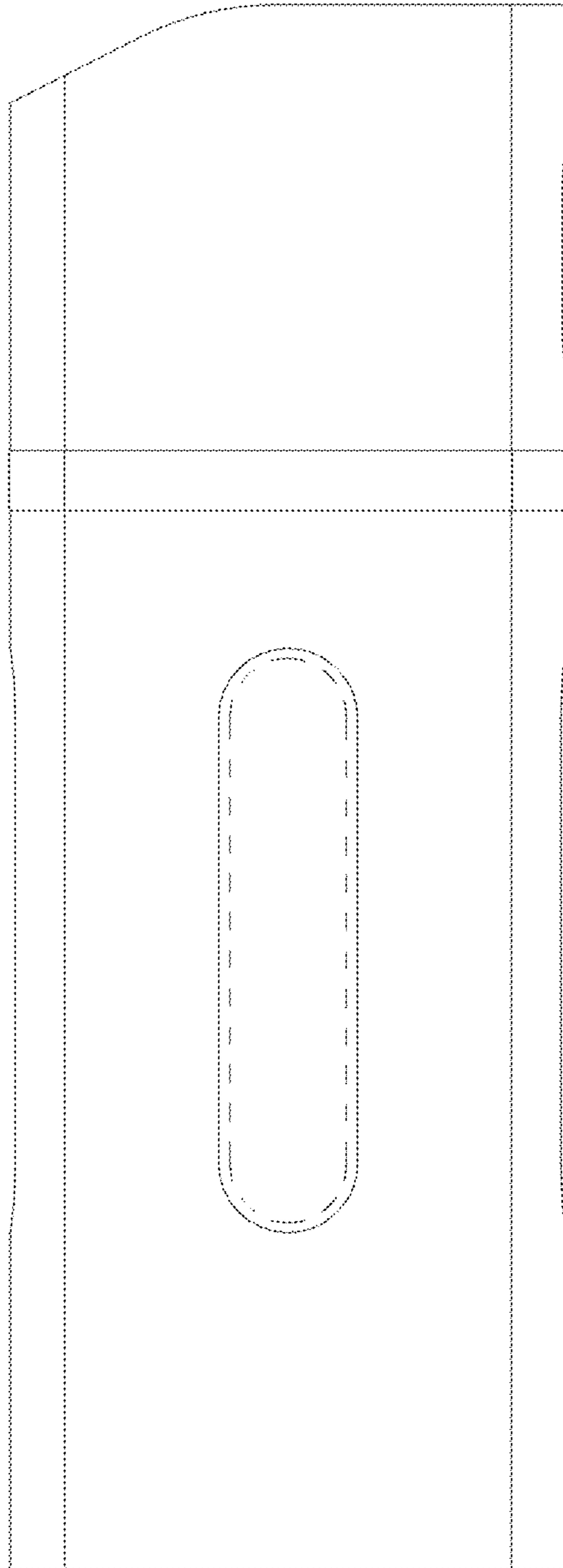


FIG. 6

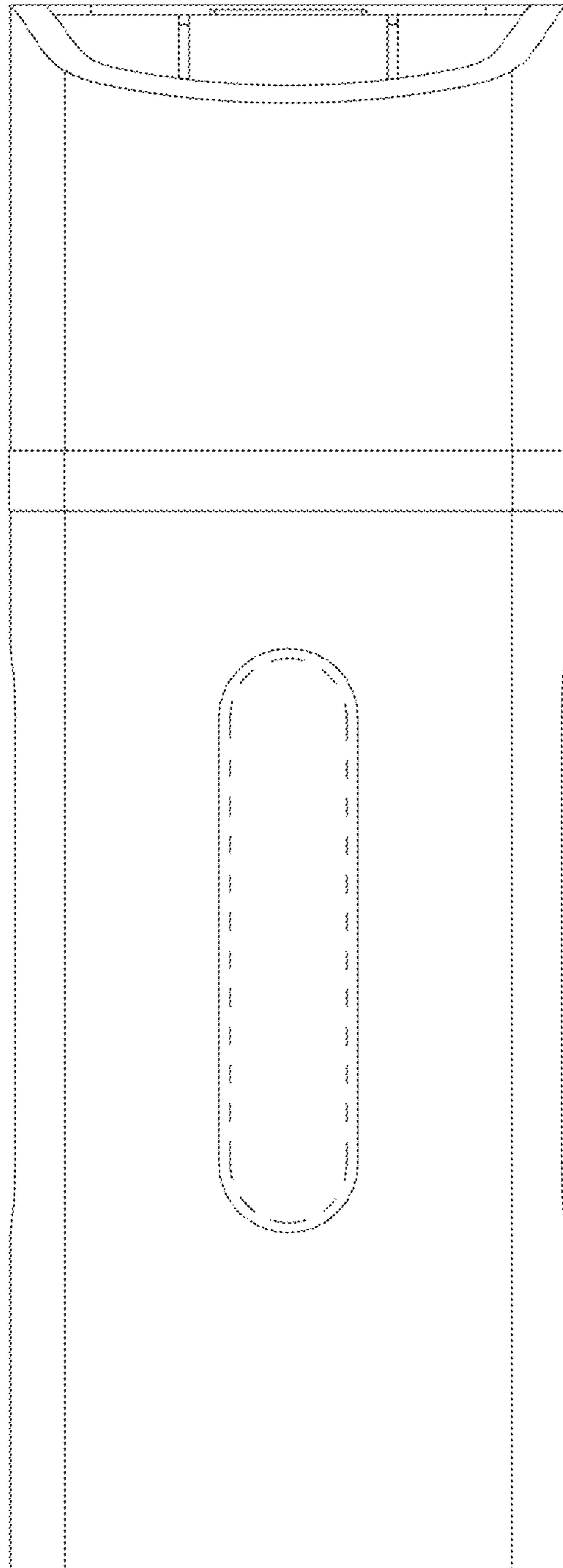


FIG. 7