



US00D882404S

(12) **United States Design Patent**  
**Hudson et al.**

(10) **Patent No.:** **US D882,404 S**

(45) **Date of Patent:** **\*\* Apr. 28, 2020**

(54) **STORAGE CONTAINER**

(56) **References Cited**

(71) Applicant: **THE SHERWIN-WILLIAMS COMPANY**, Cleveland, OH (US)

U.S. PATENT DOCUMENTS

(72) Inventors: **Richard D. Hudson**, North Olmsted, OH (US); **James J. Johnson**, Akron, OH (US); **Gustavo A. Morales**, Brunswick, OH (US); **Edward Ray Goodwin, Jr.**, Westlake, OH (US); **Michael C. Lambertson, Jr.**, Aurora, OH (US); **Charles T. Buckel, Jr.**, Valley City, OH (US)

D248,370 S	7/1978	Beekenkamp
D266,450 S	10/1982	Swett
D268,810 S	5/1983	Hartung
D269,303 S	6/1983	Goetz
D321,317 S	11/1991	Sherman
D333,065 S	2/1993	Murphy
D336,817 S	6/1993	Wilcox
D340,189 S	10/1993	Fletcher
D347,578 S	6/1994	Curzon
D355,365 S	2/1995	Charbonneau

(Continued)

(73) Assignee: **THE SHERWIN-WILLIAMS COMPANY**, Cleveland, OH (US)

*Primary Examiner* — Shannon W Morgan

*Assistant Examiner* — Keith Frank

(\*\*) Term: **15 Years**

(74) *Attorney, Agent, or Firm* — Tucker Ellis LLP; Carlos Garritano

(21) Appl. No.: **29/669,999**

(57) **CLAIM**

(22) Filed: **Nov. 13, 2018**

The ornamental design for a storage container, as shown and described.

**Related U.S. Application Data**

**DESCRIPTION**

(63) Continuation of application No. 29/630,792, filed on Dec. 22, 2017, now Pat. No. Des. 840,819, which is a continuation of application No. 29/573,849, filed on Aug. 10, 2016, now Pat. No. Des. 815,534.

FIG. 1 is a perspective view of a storage container showing our new design;

(51) **LOC (12) Cl.** ..... **09-01**

FIG. 2 is a rear perspective view thereof;

(52) **U.S. Cl.**

FIG. 3 is a front view thereof;

USPC ..... **D9/526**; D9/575; D9/531

FIG. 4 is a rear view thereof;

(58) **Field of Classification Search**

FIG. 5 is a left side view thereof;

USPC ..... D7/598, 600; D9/443, 454, 516, D9/522-524, 526-528, 530-533, 537, D9/540, 544, 545, 549, 575, 715, 719, D9/741-745; D32/53, 53.1, 54;

FIG. 6 is a right side view thereof;

D23/211, 211.1, 212

FIG. 7 is a top view thereof; and,

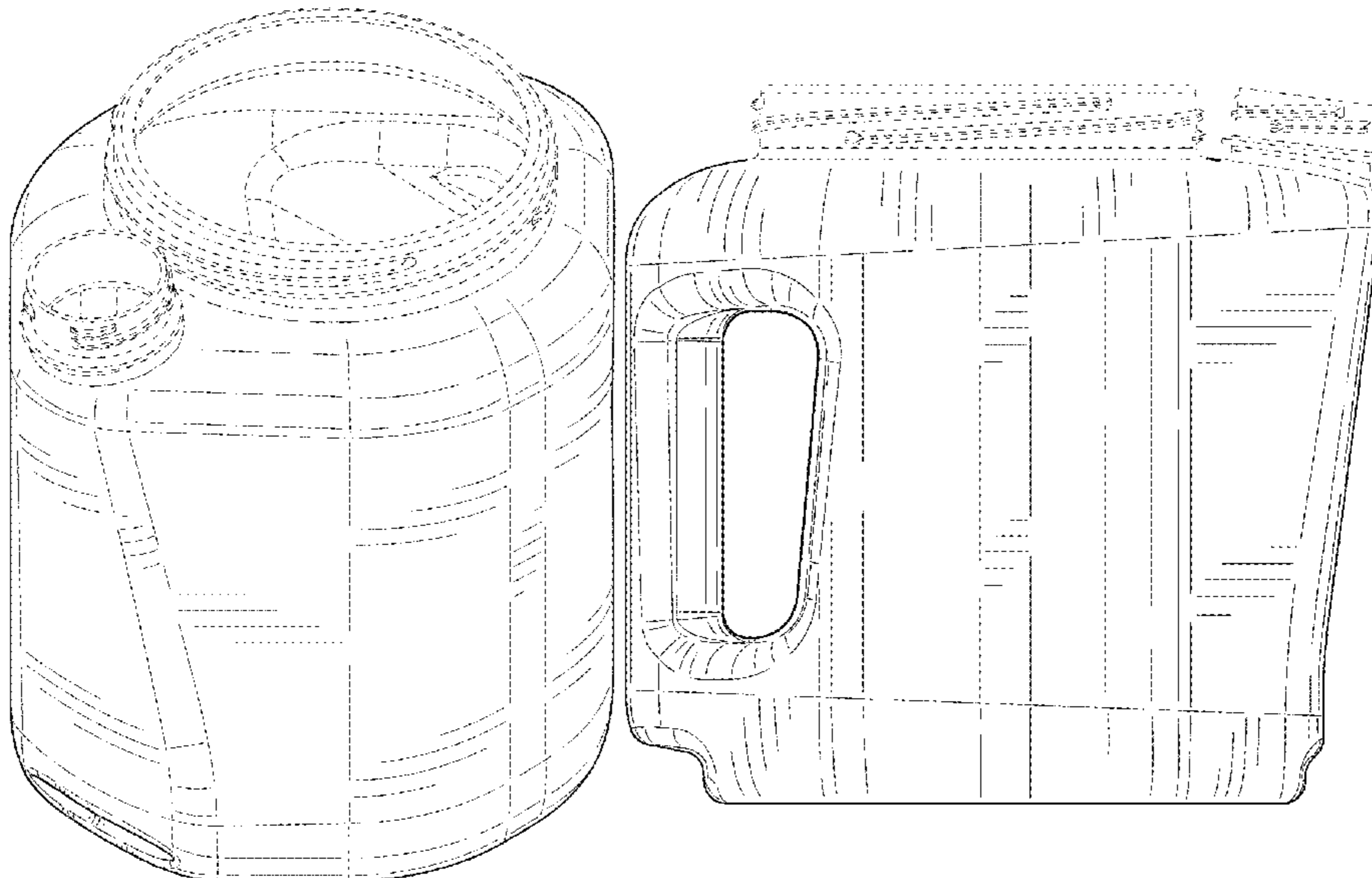
CPC ..... B44D 3/12; B65D 25/32; B65D 21/0231; B65D 23/102; B65D 47/06

FIG. 8 is a bottom view thereof.

See application file for complete search history.

The evenly spaced and dashed broken lines in the drawings showing the storage container illustrate the portions of the storage container that form no part of the claimed design. The dash-dot-dash lines in the drawings represent boundary lines between claimed and unclaimed areas of the storage container.

**1 Claim, 8 Drawing Sheets**



(56)

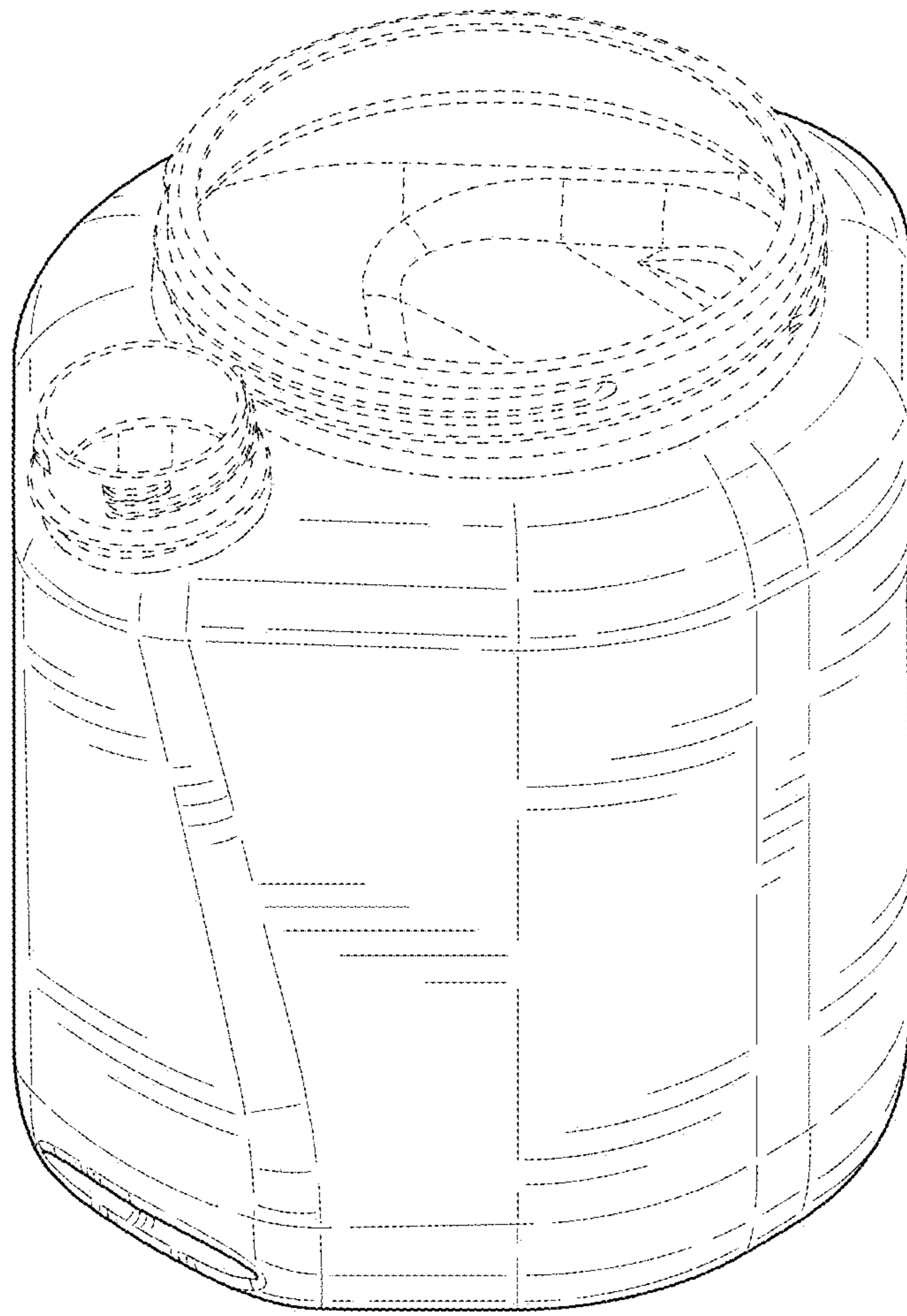
References Cited

U.S. PATENT DOCUMENTS

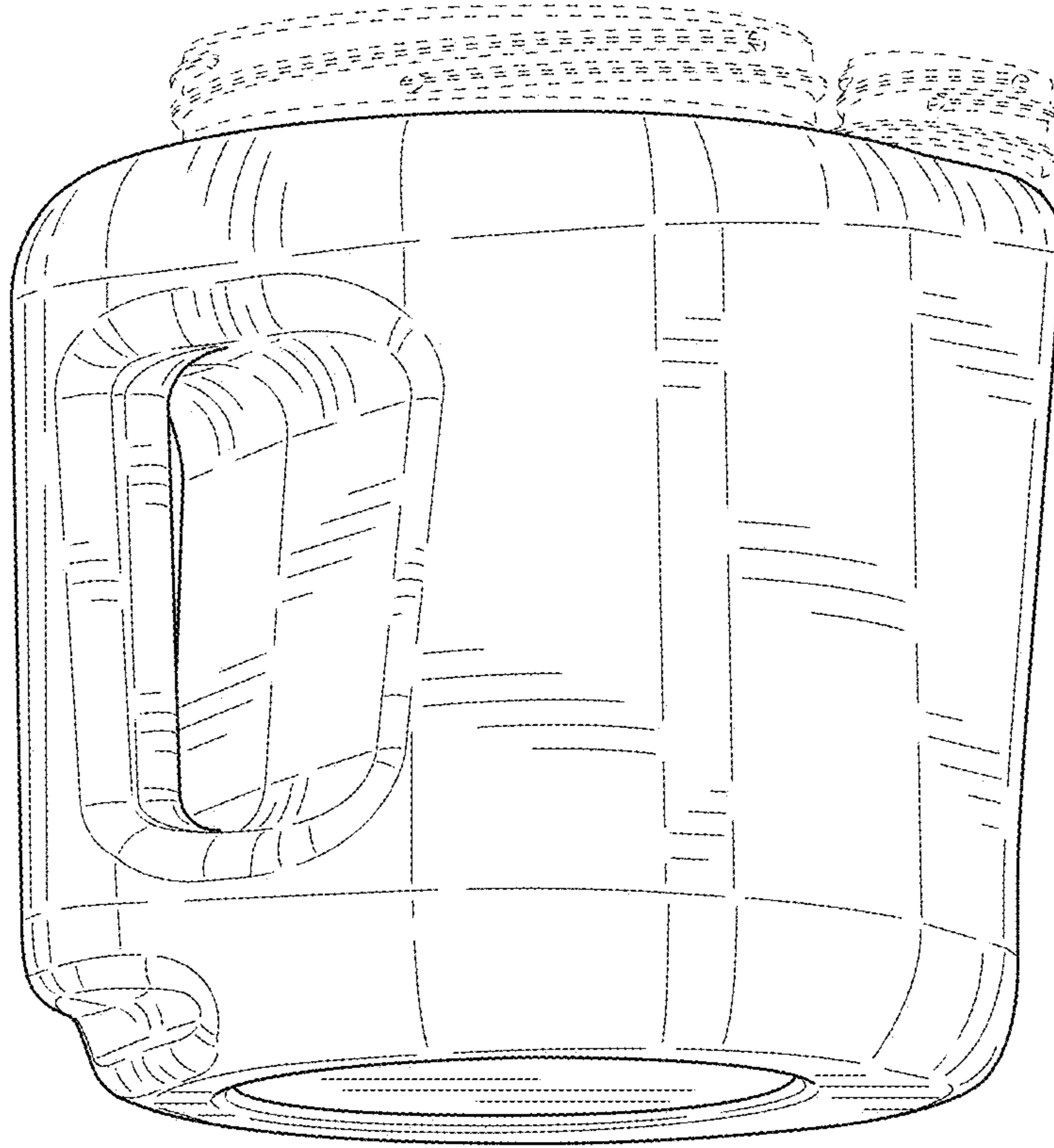
D367,201 S 2/1996 Joergensen  
 D370,153 S 5/1996 Chaney  
 5,549,216 A 8/1996 Scholl  
 5,564,525 A 10/1996 Dunnegan  
 D378,494 S 3/1997 Miller  
 5,669,526 A 9/1997 Keyfauver  
 5,727,708 A 3/1998 Erickson  
 D394,184 S 5/1998 Demore  
 D398,663 S 9/1998 Freelandier  
 5,855,304 A 1/1999 Dean  
 D431,472 S 10/2000 Cain  
 D458,514 S 6/2002 Dorion  
 D460,845 S 7/2002 Bergman  
 D479,802 S 9/2003 Arduinl  
 6,708,838 B2 3/2004 Bergman  
 D505,076 S 5/2005 Logan  
 6,983,862 B2\* 1/2006 Nottingham ..... B01F 15/00733  
 206/508  
 D548,603 S\* 8/2007 Young ..... D9/531  
 D550,090 S 9/2007 Meeker  
 D563,229 S 3/2008 Dowel  
 D573,475 S\* 7/2008 Nottingham ..... D9/531  
 D608,195 S 1/2010 Germann  
 D610,856 S 3/2010 Hoffman  
 7,703,641 B2 4/2010 Bravo  
 D615,860 S 5/2010 Cero, Jr.  
 D623,954 S 9/2010 Hawry  
 D630,475 S 1/2011 Lu  
 D643,694 S 8/2011 Lu  
 D652,305 S 1/2012 Yourist  
 D653,548 S 2/2012 Wycoff

D680,431 S 4/2013 Hopkins  
 D684,813 S 6/2013 Eyal  
 D691,052 S 10/2013 Minghetti  
 D708,009 S 7/2014 Gillette  
 D708,010 S 7/2014 Gillette  
 D712,740 S 9/2014 Antal  
 D715,590 S 10/2014 Mangano  
 D722,885 S\* 2/2015 Mooney ..... D9/543  
 D728,298 S 5/2015 Ma  
 D739,233 S 9/2015 Antal, Sr.  
 D742,065 S 10/2015 Leidel  
 D742,241 S 11/2015 Shell-Schnitzer  
 D744,186 S\* 11/2015 Gringer ..... D32/53.1  
 D749,948 S 2/2016 Groglopo Favetto  
 D751,913 S 3/2016 Seecof  
 9,290,310 B2 3/2016 Sinn  
 D758,859 S 6/2016 Sorensen  
 9,446,884 B2\* 9/2016 McGinley ..... A47G 19/12  
 D783,917 S\* 4/2017 Gringer ..... D32/53.1  
 D794,445 S\* 8/2017 Yourist ..... D23/211.1  
 D795,008 S 8/2017 Eyal  
 D800,565 S\* 10/2017 Bonaventura ..... D9/524  
 D803,138 S 11/2017 Fretz  
 D806,543 S 1/2018 Finkbohner  
 2007/0187412 A1\* 8/2007 Gruskin ..... B65D 1/10  
 220/500  
 2007/0187413 A1 8/2007 Gruskin  
 2007/0187420 A1\* 8/2007 Gruskin ..... B65D 25/2897  
 220/771  
 2007/0261983 A1\* 11/2007 Flanagan-Kent .....  
 B65D 21/0231  
 206/510

\* cited by examiner

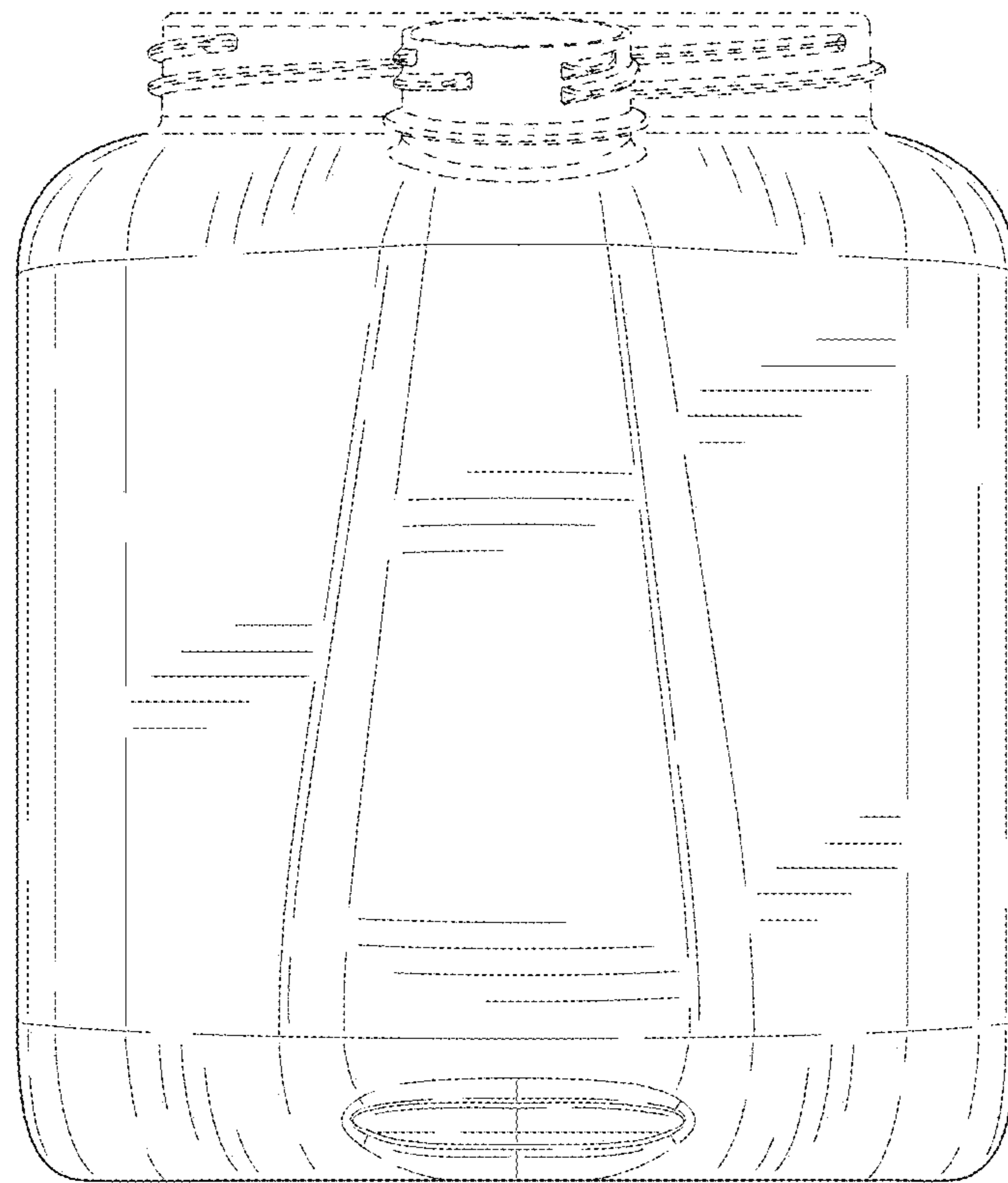


**FIG. 1**

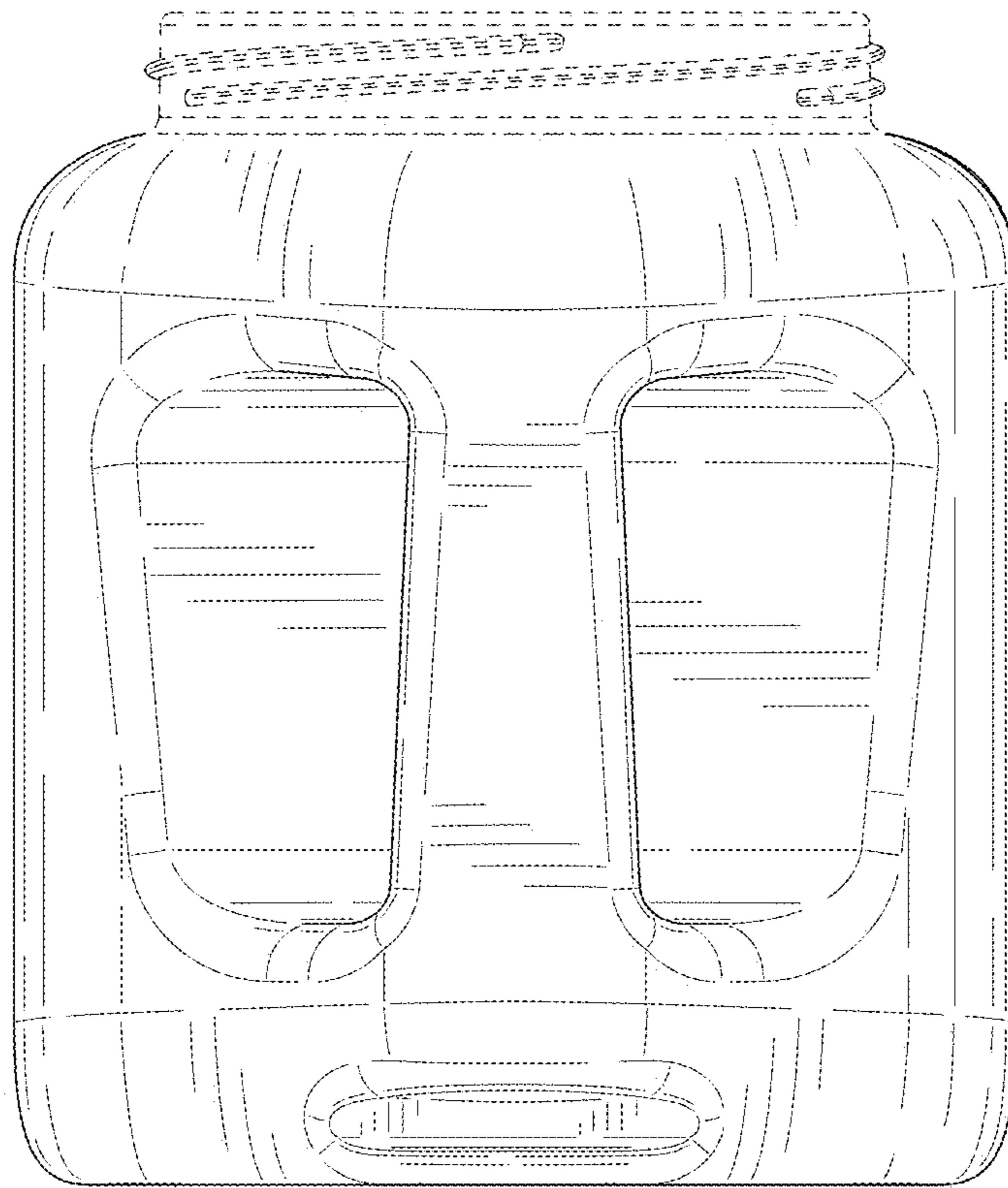


**FIG. 2**

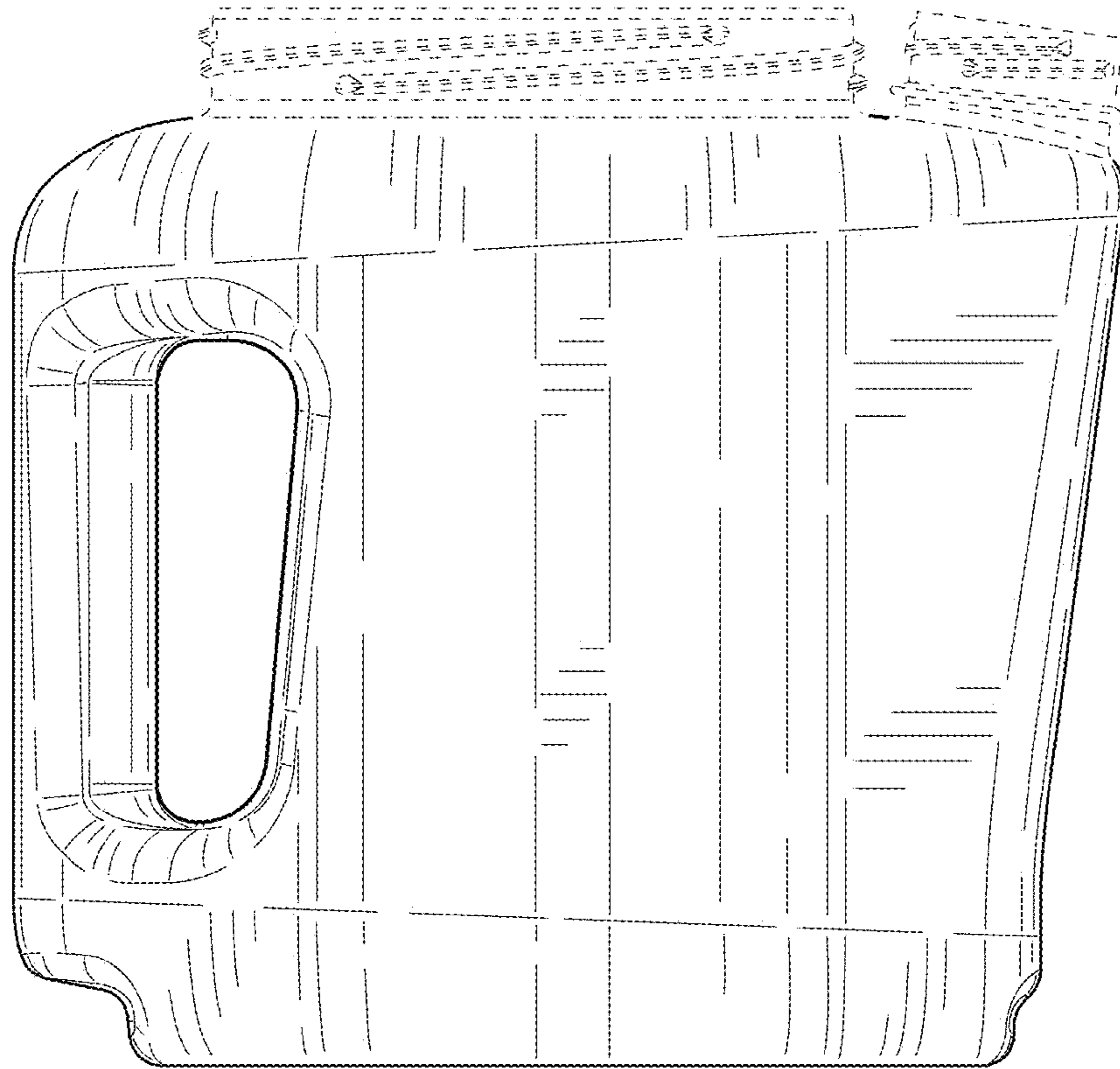




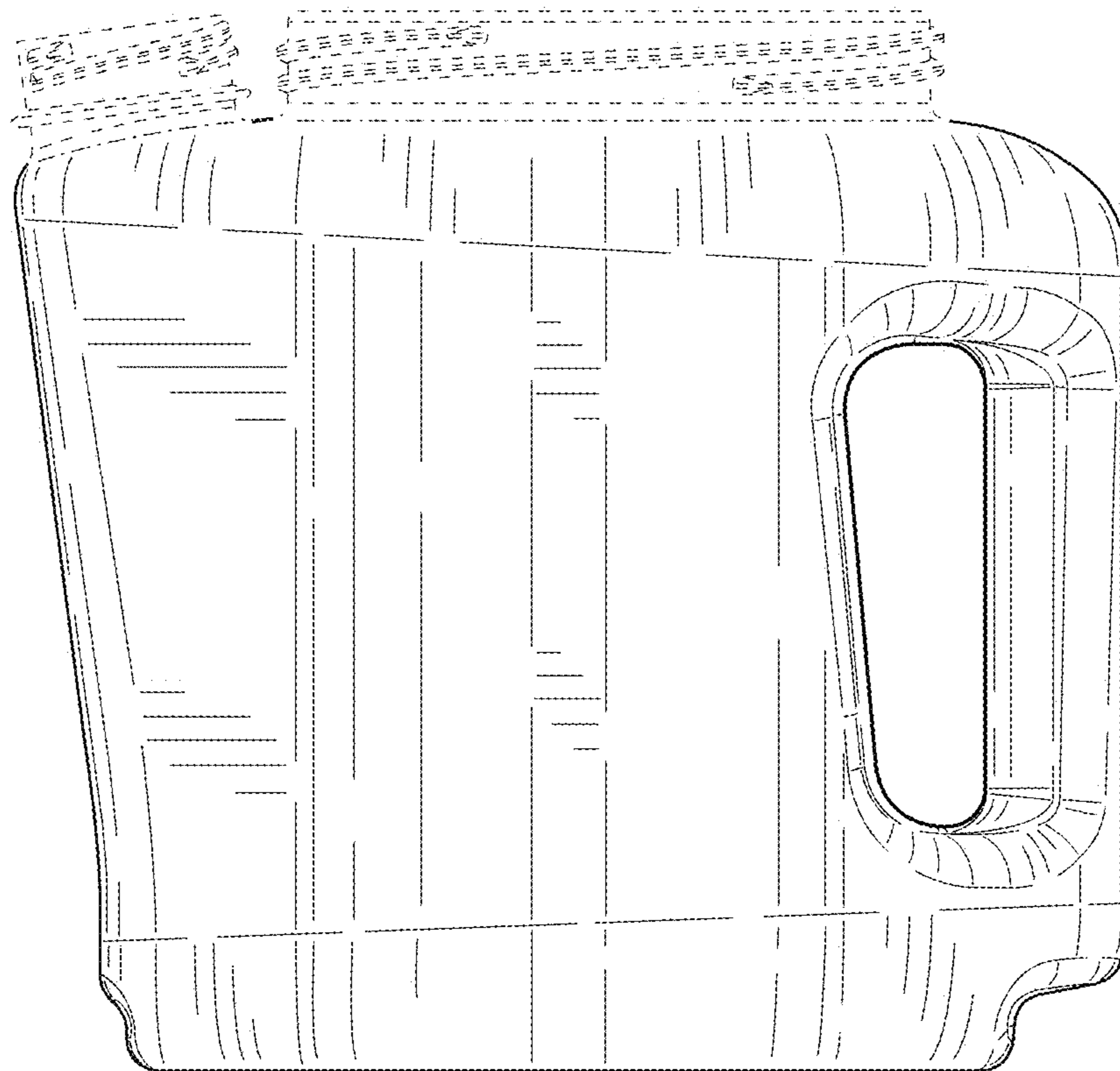
**FIG. 3**



**FIG. 4**



**FIG. 5**



**FIG. 6**



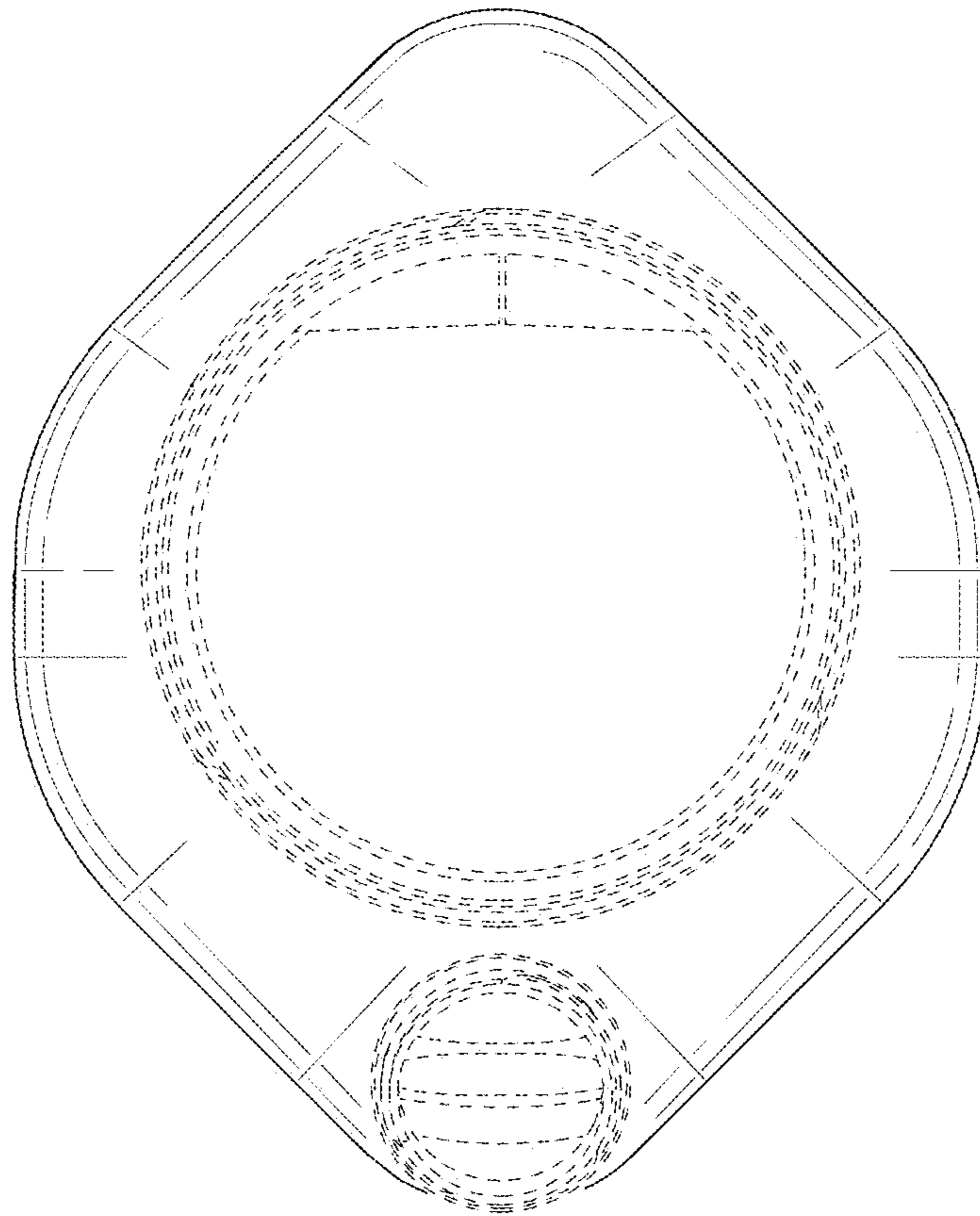
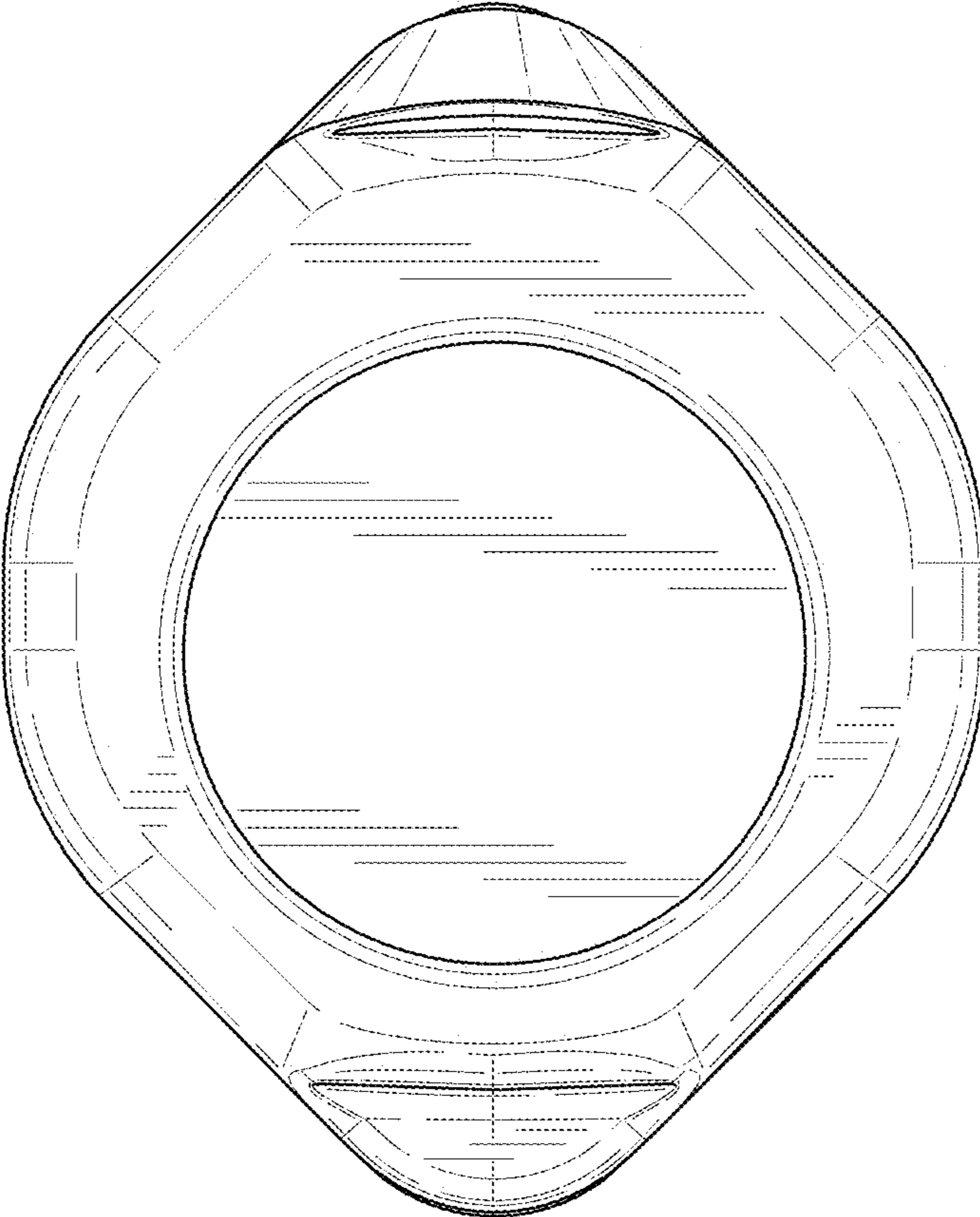


FIG. 7



**FIG. 8**