



US00D882402S

(12) **United States Design Patent**
Uetsuki et al.

(10) **Patent No.:** **US D882,402 S**

(45) **Date of Patent:** **** Apr. 28, 2020**

(54) **CONTAINER**

(71) Applicant: **Kobayashi Pharmaceutical Co., Ltd.**,
Osaka (JP)

(72) Inventors: **Hidetomo Uetsuki**, Osaka (JP);
Tomonori Shinkoda, Osaka (JP);
Satoru Komiyama, Osaka (JP)

(73) Assignee: **Kobayashi Pharmaceutical Co., Ltd.**
(JP)

(**) Term: **15 Years**

(21) Appl. No.: **29/633,234**

(22) Filed: **Jan. 12, 2018**

(30) **Foreign Application Priority Data**

Aug. 4, 2017 (JP) 2017-016897

(51) **LOC (12) Cl.** **09-01**

(52) **U.S. Cl.**
USPC **D9/516; D9/575**

(58) **Field of Classification Search**
USPC D9/516, 520, 523, 526, 529, 530, 542,
D9/549, 550, 571, 575, 715, 719;
D24/121, 197, 224
CPC B65D 23/102; B65D 83/00; B65D 83/285
See application file for complete search history.

(56) **References Cited**

U.S. PATENT DOCUMENTS

D194,711 S *	2/1963	Bateman	D9/526
D358,332 S *	5/1995	Schneider	D9/522
D395,240 S *	6/1998	Dinand	D9/454
D414,115 S *	9/1999	Goettner	D9/526
D454,788 S *	3/2002	Pezzoli	D9/521
D501,139 S *	1/2005	Conway	D9/444
D582,282 S *	12/2008	Althoff	D9/522
D661,986 S *	6/2012	Floyd	D9/516

D668,542 S *	10/2012	Thurin	D9/447
D701,460 S *	3/2014	Adams	D9/516
D749,949 S *	2/2016	Bruining	D9/447
D782,314 S *	3/2017	Taylor	D9/516
D821,206 S *	6/2018	Christianson	D9/516

FOREIGN PATENT DOCUMENTS

JP	D1478163	8/2016
JP	D1478165	8/2016
JP	D1481654	10/2016

* cited by examiner

Primary Examiner — Shannon W Morgan

Assistant Examiner — Keith Frank

(74) *Attorney, Agent, or Firm* — Saidman DesignLaw
Group, LLC

(57) **CLAIM**

The ornamental design for a container, as shown and described.

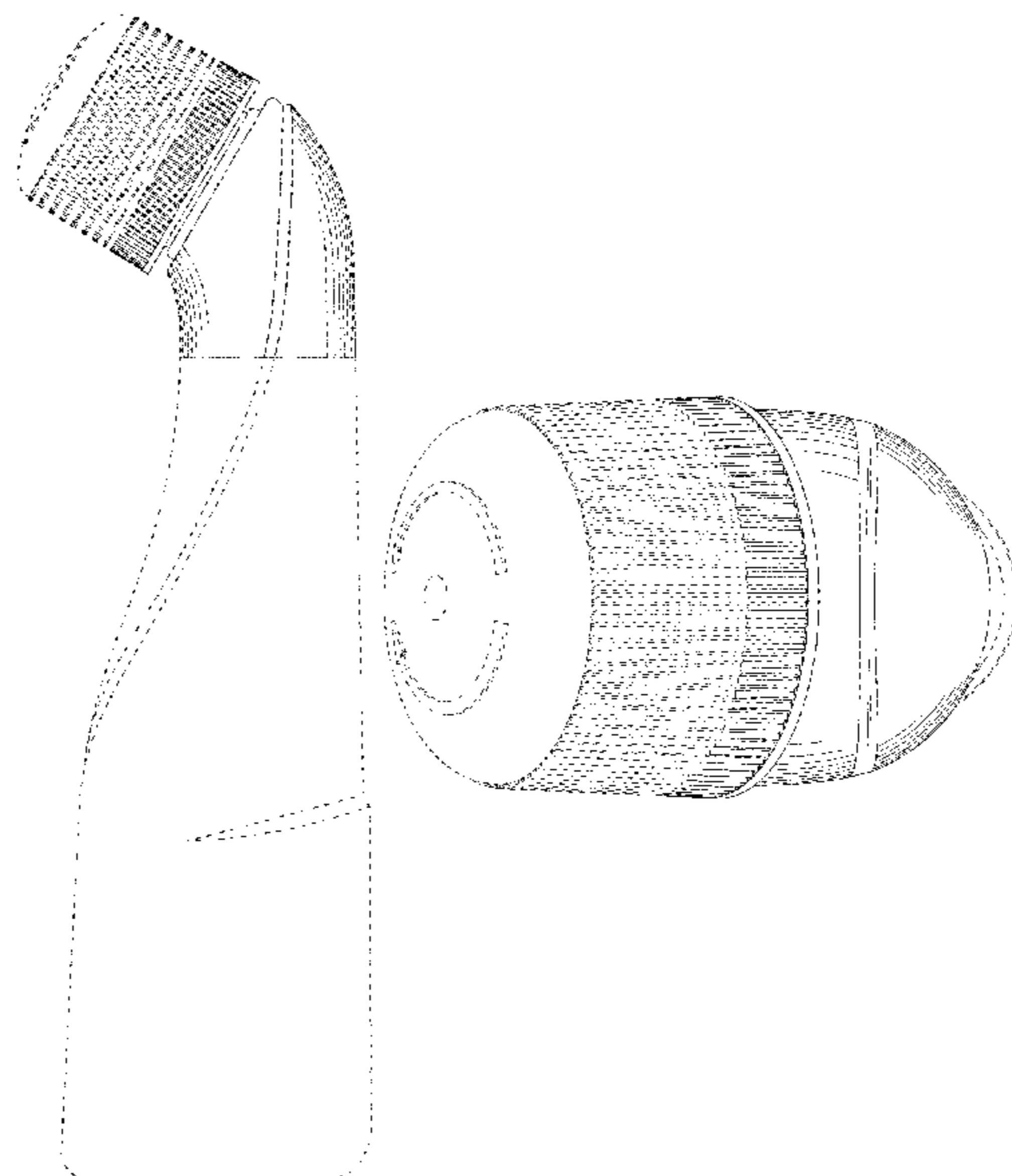
DESCRIPTION

FIG. 1 is a front view of a container showing our new design;
FIG. 2 is a rear view thereof;
FIG. 3 is a left side view thereof;
FIG. 4 is a right side view thereof;
FIG. 5 is a top view thereof;
FIG. 6 is a bottom view thereof;
FIG. 7 is an enlarged first perspective view thereof;
FIG. 8 is an enlarged second perspective view thereof;
FIG. 9 is an enlarged front view of FIG. 1 thereof;
FIG. 10 is an enlarged right side view of FIG. 4 thereof; and,
FIG. 11 is an enlarged top view of FIG. 5 thereof.

The broken lines illustrate structure or features which form no part of the claimed design.

The dot-dash broken lines illustrate boundaries which form no part of the claimed design.

1 Claim, 7 Drawing Sheets



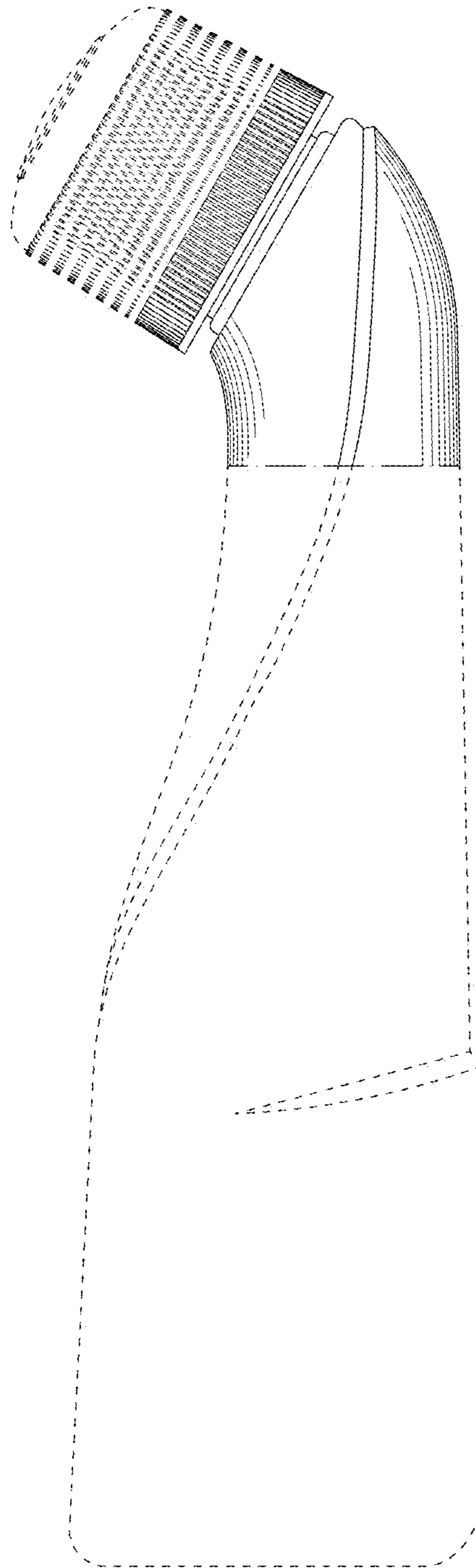


FIG.1

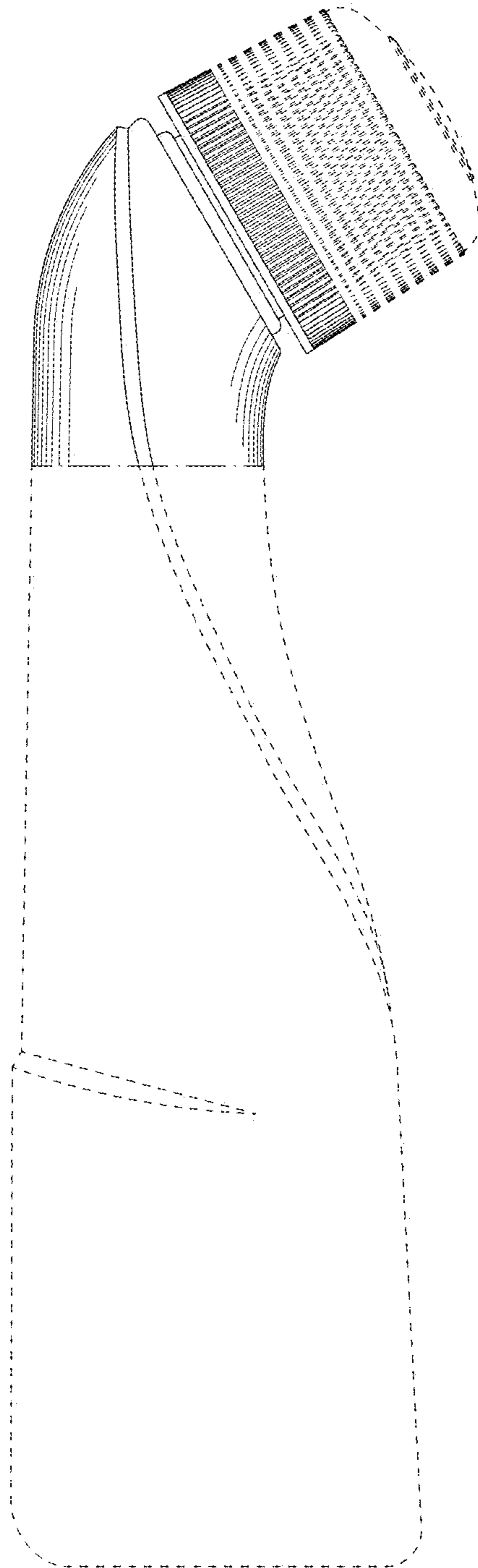


FIG.2

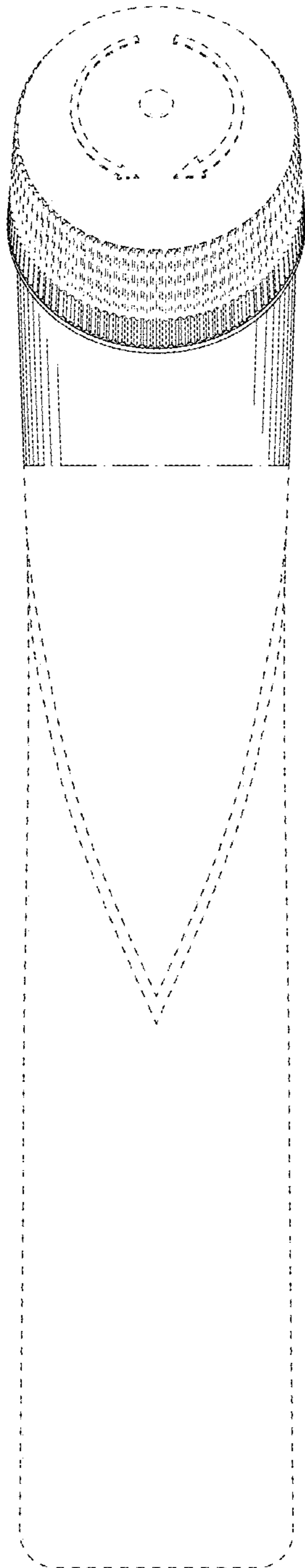


FIG. 3

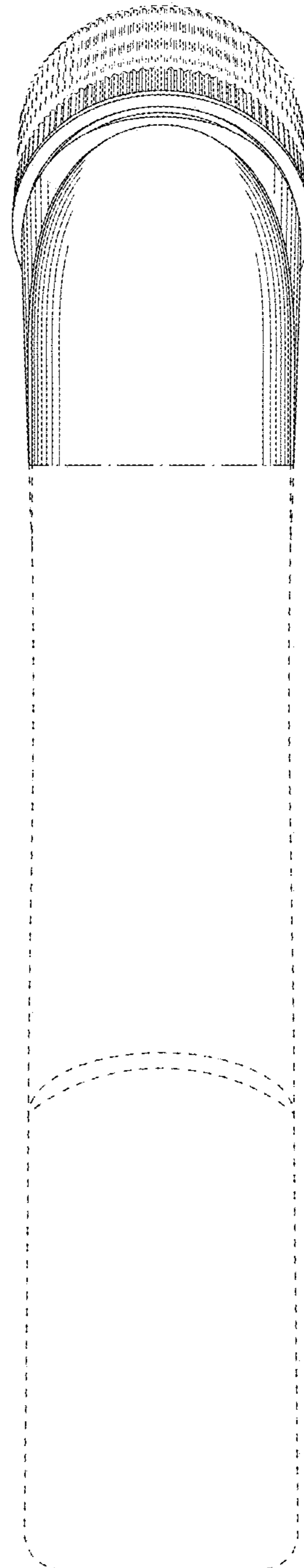


FIG. 4

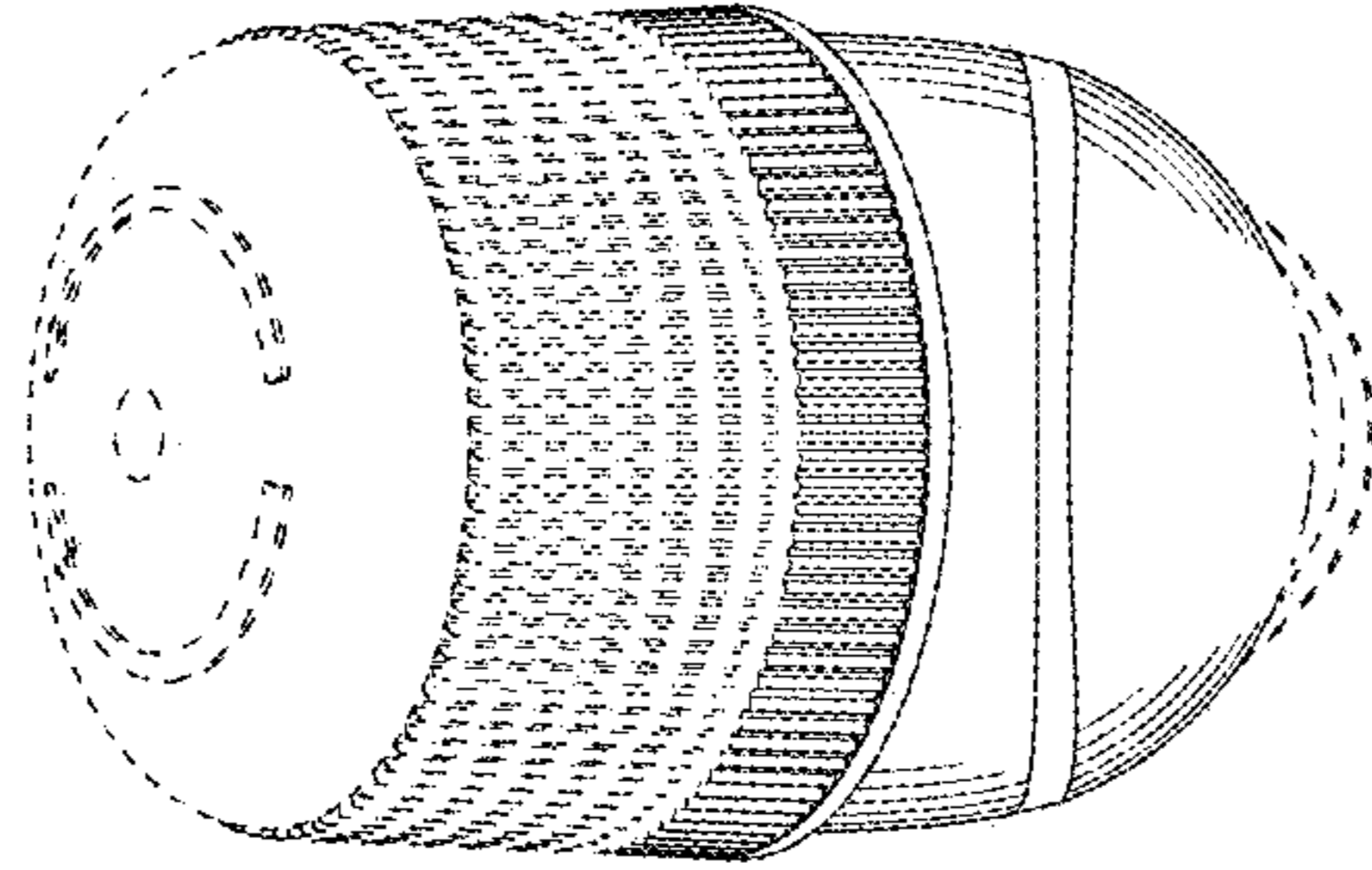


FIG. 5

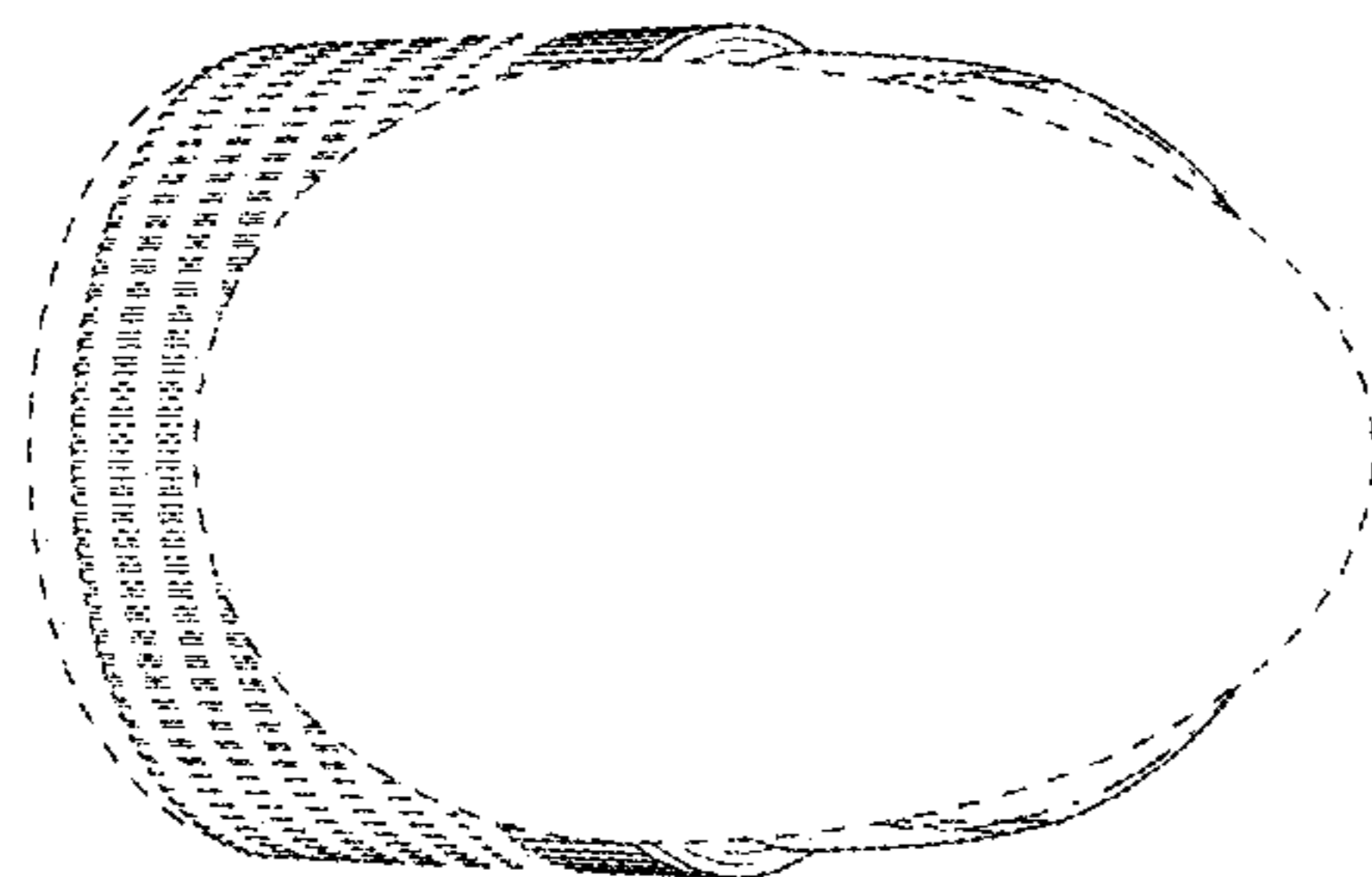


FIG. 6

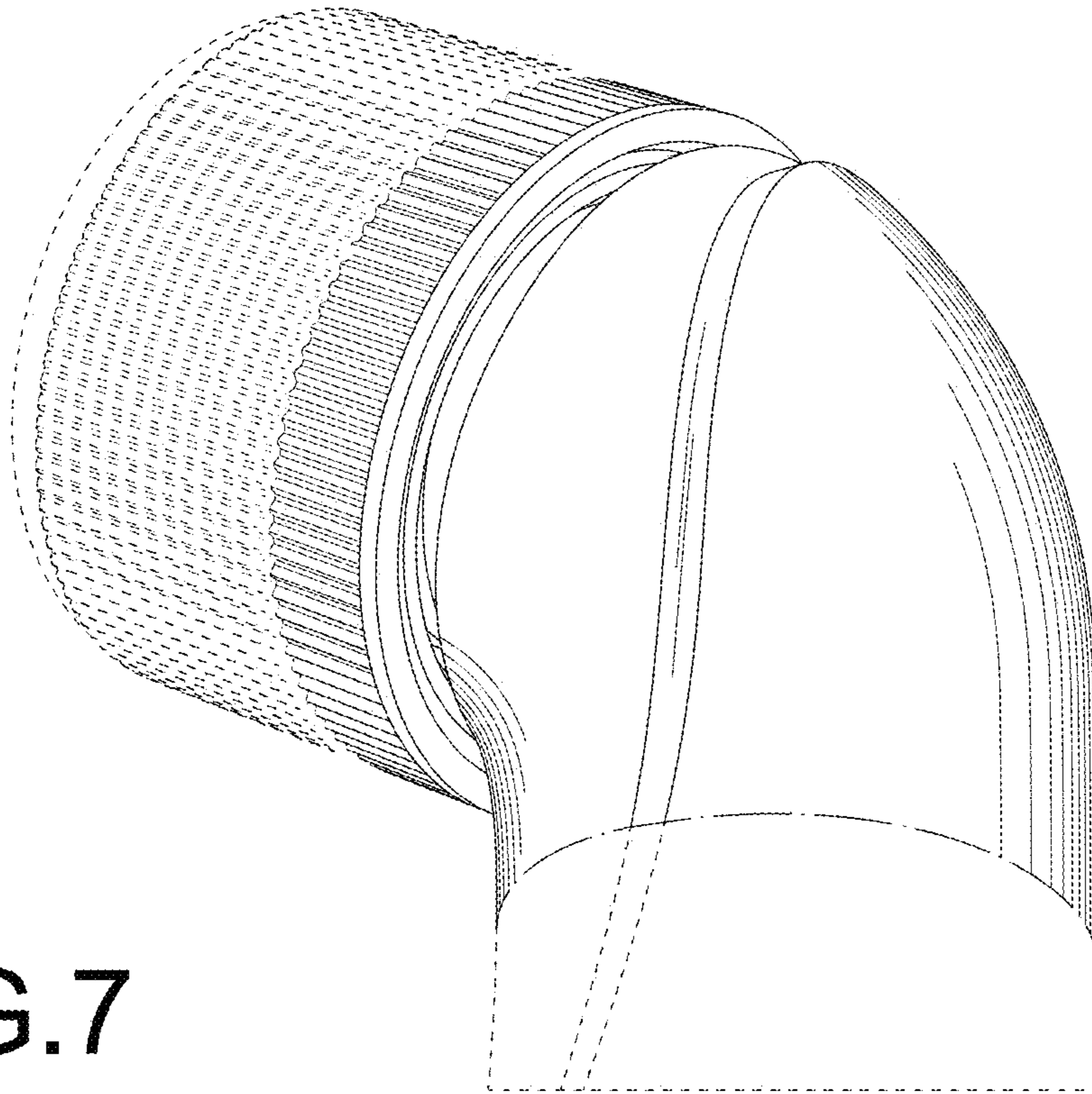


FIG. 7

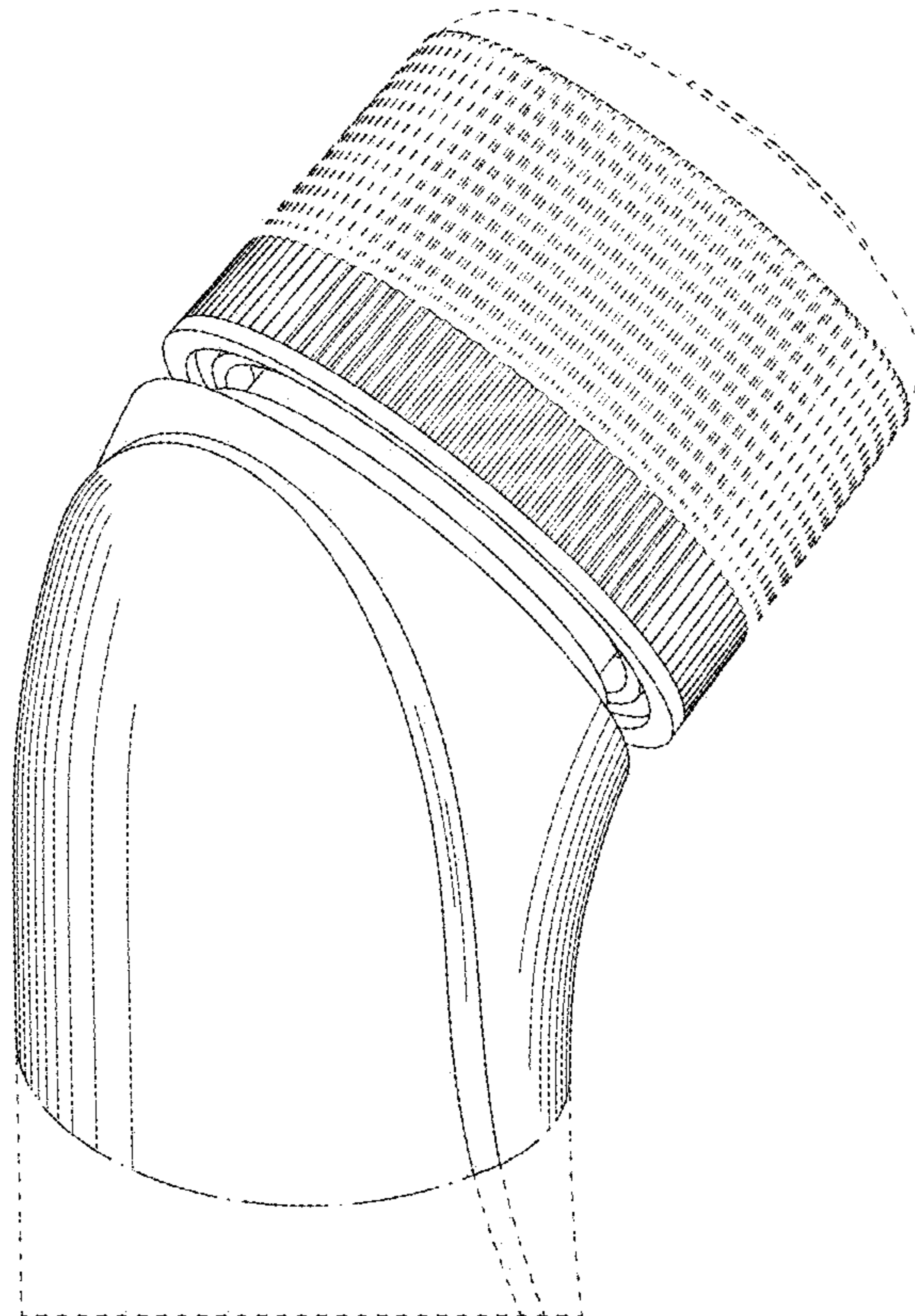


FIG. 8

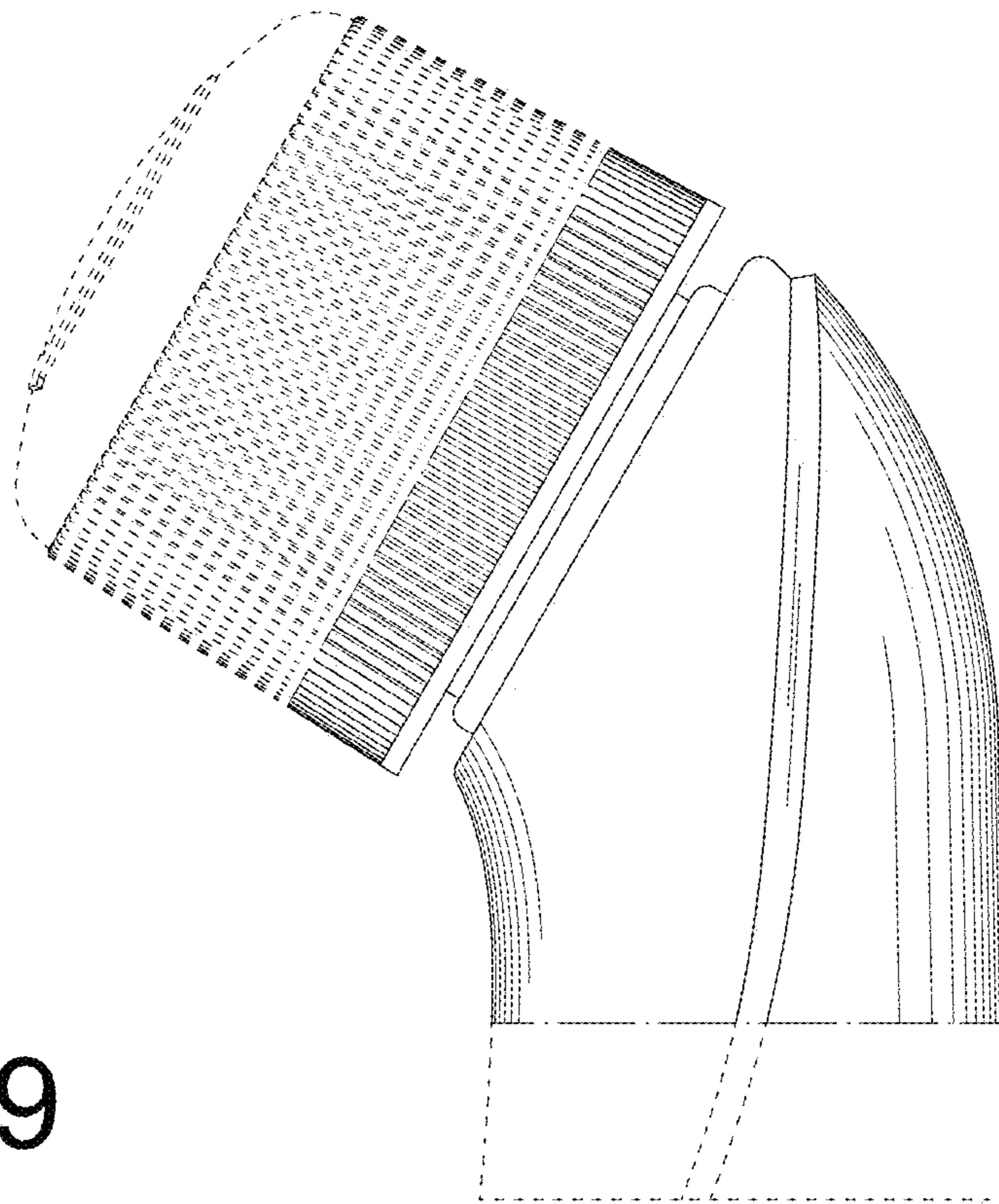


FIG. 9

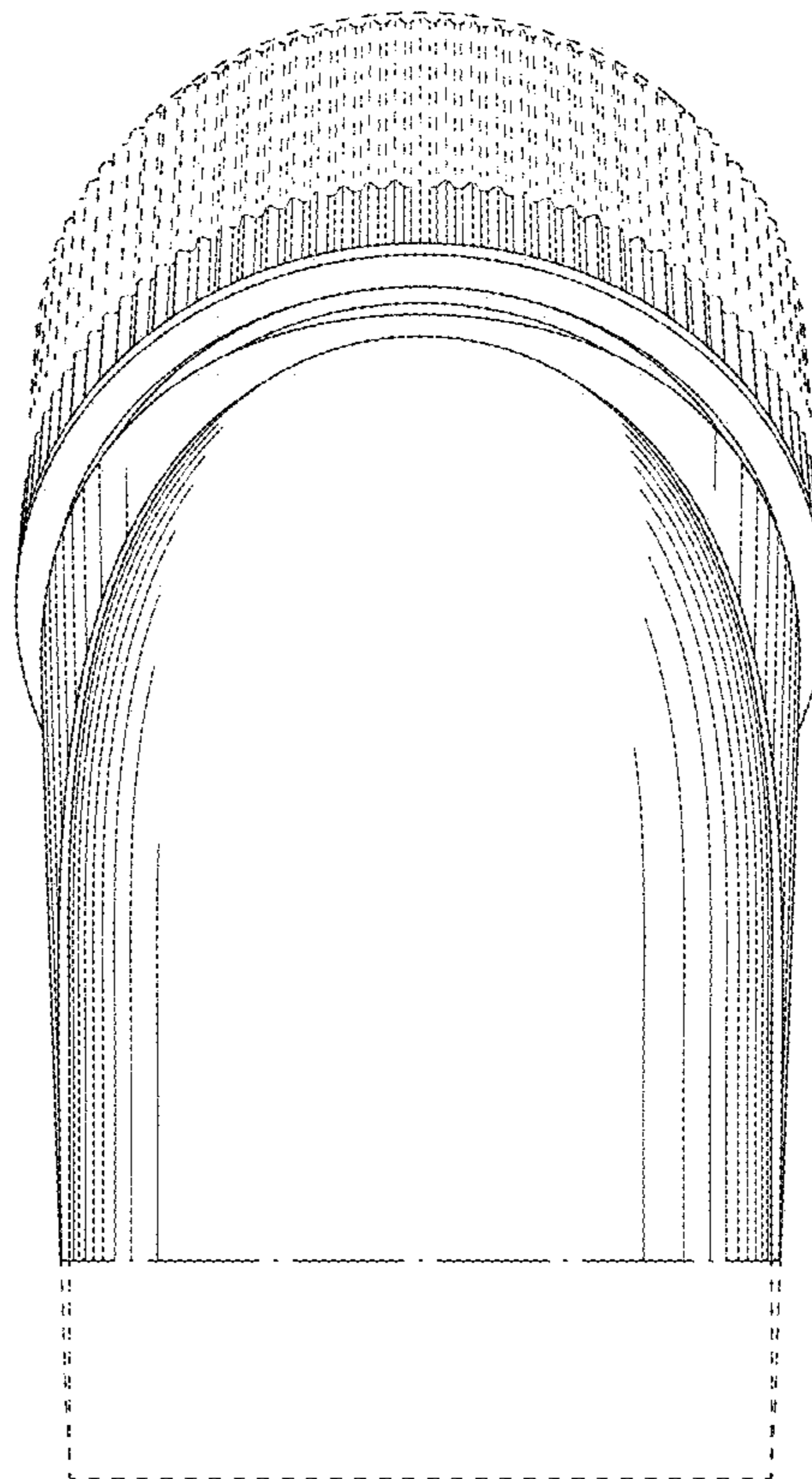


FIG. 10

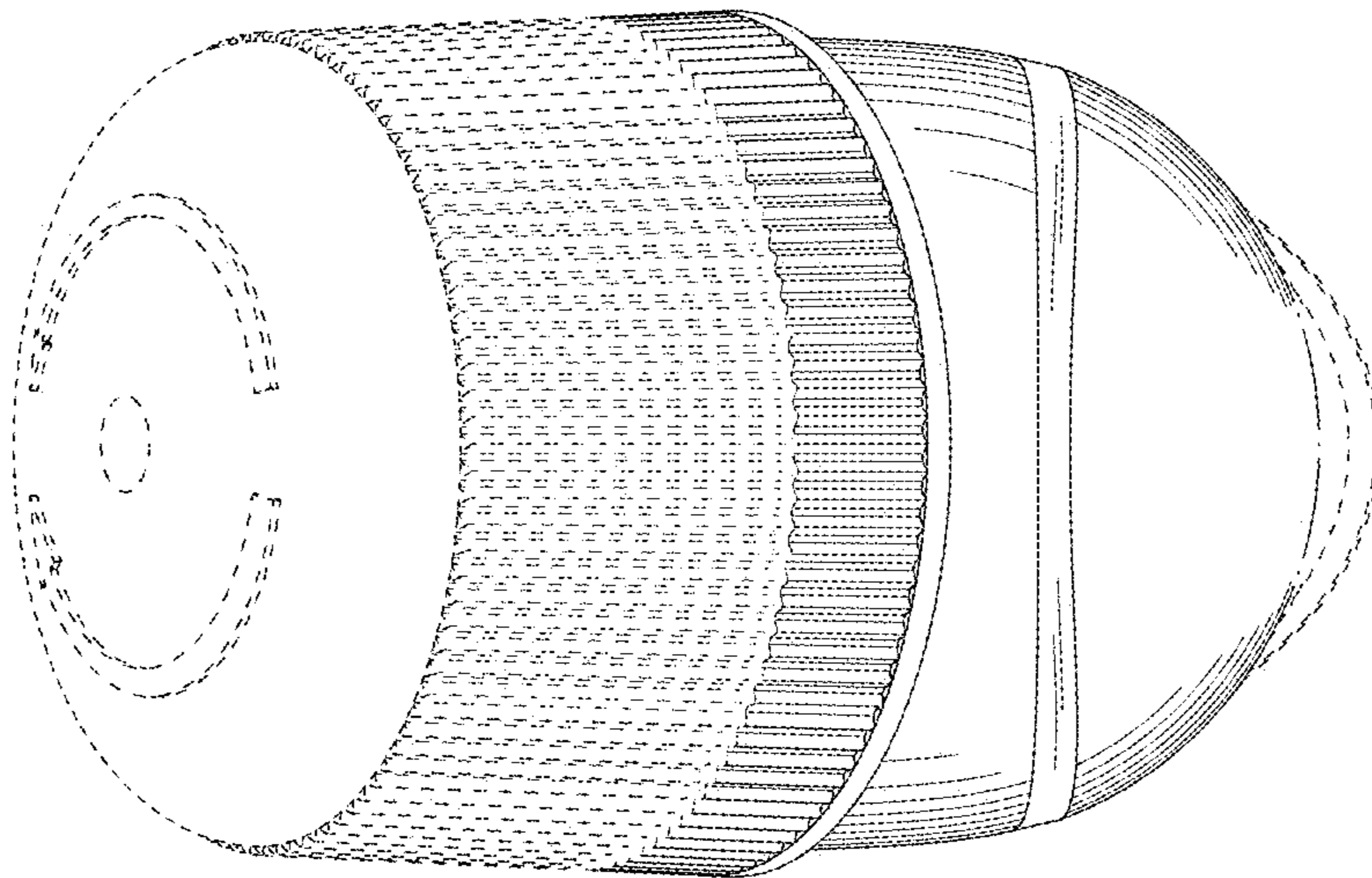


FIG.11