



US00D882398S

(12) **United States Design Patent**
Straw

(10) **Patent No.:** **US D882,398 S**

(45) **Date of Patent:** **** Apr. 28, 2020**

- (54) **CAN GUARD**
- (71) Applicant: **Not to Bee, LLC**
- (72) Inventor: **Jeffrey L. Straw**, St. Francis, WI (US)
- (73) Assignee: **NOT TO BEE, LLC**, St. Francis, WI (US)
- (**) Term: **15 Years**

4,869,389 A	9/1989	Cerrone, Jr.	
4,898,298 A	2/1990	Norris	
4,901,877 A	2/1990	Hall	
4,907,877 A	2/1990	Hall	
4,938,379 A	7/1990	Kellner	
D317,411 S	6/1991	Holmes	
5,054,640 A	10/1991	Tucker	
D337,521 S	7/1993	McNulty	
5,269,432 A	12/1993	Beckertgis	
D352,898 S *	11/1994	Vacher B65D 17/4011 D9/438
5,379,914 A	1/1995	Martins	
5,547,100 A	8/1996	Johnson	
5,555,993 A	9/1996	Borkowski et al.	

(21) Appl. No.: **29/658,420**

(22) Filed: **Jul. 31, 2018**

(51) **LOC (12) Cl.** **09-01**

(52) **U.S. Cl.**
USPC **D9/438**; D9/436; D9/447

(58) **Field of Classification Search**
USPC D9/500, 502, 516, 518, 530, 537, 539, D9/542, 549, 763-783, 434, 435, 438, D9/445, 447, 454, 902, 903
CPC ... B65D 1/00; B65D 1/02; B65D 1/12; B65D 1/14; B65D 1/40; B65D 1/44; B65D 1/023; B65D 1/0223; B65D 1/165; B65D 1/238; B65D 1/246; B65D 1/253; B65D 7/04; B65D 7/21; B65D 7/0209; B65D 7/0233; B65D 25/00; B65D 25/28; B65D 41/0457; B65D 41/17; B65D 53/06; B65D 75/56; B65D 79/005; B65D 2501/0036; B65D 2543/00064; B65D 2543/00074; B65D 2543/00083; B65D 2543/00092; B65D 2543/00101; B65D 2543/00111

See application file for complete search history.

(56) **References Cited**

U.S. PATENT DOCUMENTS

538,141 A	4/1895	Wilson et al.
2,606,694 A	8/1952	Vincenzo

(Continued)

OTHER PUBLICATIONS

Bug Screen for Cans—Crnchy, <http://crnchy.com/stuff/bug-screen-for-cans/>, printed Aug. 1, 2016.

(Continued)

Primary Examiner — Keli L Hill

(74) *Attorney, Agent, or Firm* — Husch Blackwell LLP

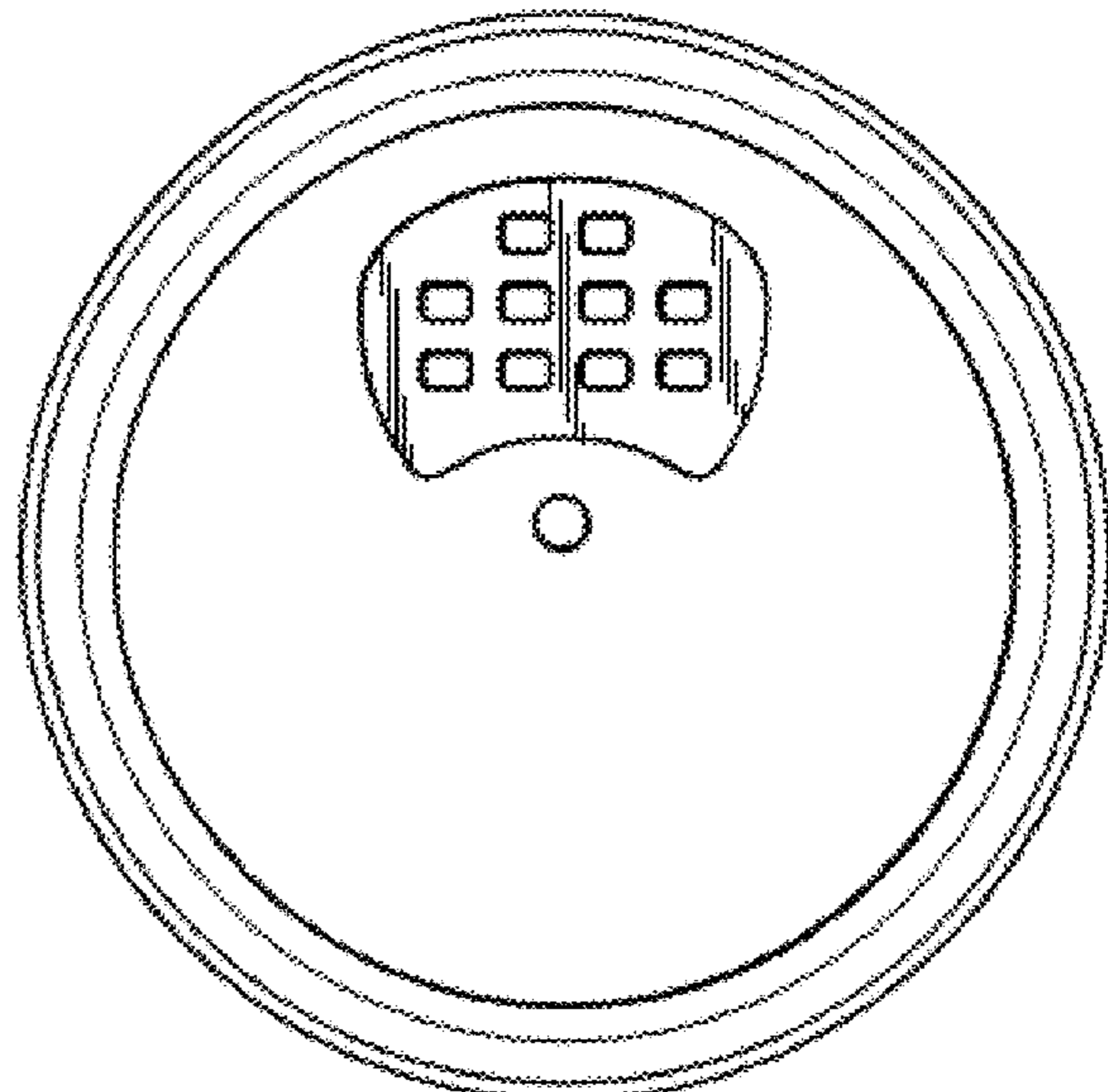
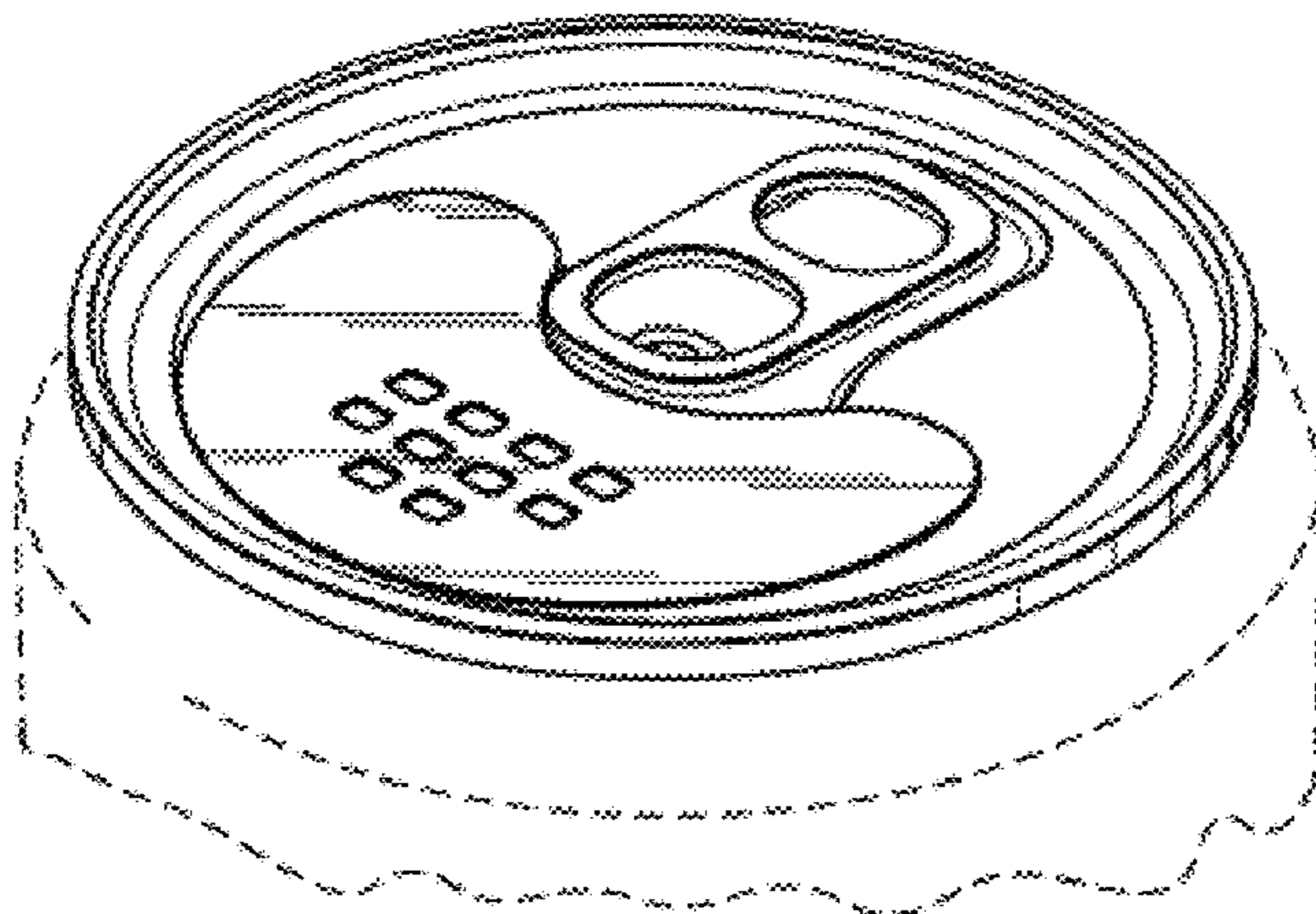
(57) **CLAIM**

The ornamental design for a can guard, as shown and described.

DESCRIPTION

FIG. 1 is a front perspective view of a can guard shown in a position of use on an unclaimed can drawn in broken line; FIG. 2 is another front perspective view thereof, showing an upper portion of an unclaimed can drawn in broken line; FIG. 3 is a top plan view thereof; FIG. 4 is an elevational side view, all sides being identical thereof; and, FIG. 5 is a bottom plan view thereof. The broken lines in the drawings represent unclaimed environmental subject matter and form no part of the claim.

1 Claim, 3 Drawing Sheets



(56)

References Cited

U.S. PATENT DOCUMENTS

5,617,970 A 4/1997 Lee
 5,720,412 A 2/1998 Ficken
 5,775,534 A 7/1998 Webb et al.
 5,845,801 A 12/1998 Heitl
 5,887,742 A 3/1999 Lewis
 D417,144 S * 11/1999 Ruby D9/631
 6,105,806 A 8/2000 Stasiuk
 6,386,814 B2 5/2002 Song
 D487,699 S 3/2004 Myers et al.
 6,722,518 B1 4/2004 Bartz
 6,755,315 B1 6/2004 Mueller
 D532,297 S 11/2006 Myers et al.
 7,222,746 B2 5/2007 Eckstrum
 D564,350 S 3/2008 Zahrobsky
 D564,356 S 3/2008 Nickleberry
 D573,897 S 7/2008 Berman
 D596,937 S 7/2009 Graber et al.
 D610,006 S 2/2010 Ortell
 D625,184 S 10/2010 Forrest et al.
 7,914,640 B2 3/2011 Ronnberg
 D651,898 S 1/2012 Hess
 8,136,689 B2 3/2012 Ulstein et al.
 D657,671 S 4/2012 O'Brien
 8,393,490 B2 3/2013 Bitton
 D685,266 S * 7/2013 Burleson, Jr. D9/435
 D739,728 S 9/2015 Schorre
 D743,788 S 11/2015 Librandi
 D747,199 S 1/2016 Phillips
 D748,943 S 2/2016 Miller et al.

D804,947 S 12/2017 Straw
 2001/0032852 A1 10/2001 Naude
 2004/0178201 A1 9/2004 Cox et al.
 2006/0102629 A1 5/2006 Ronnberg
 2009/0090715 A1 4/2009 Goldberg
 2017/0361976 A1* 12/2017 Leboucher B65D 17/4011

OTHER PUBLICATIONS

Bug Screen for Cans, <http://oddtymail.com/bug-screen-for-cans>, printed Aug. 1, 2016.
 Soda Can Bug Screen, <http://www.thisiswhyimbroke.com/soda-can-bug-screen/>, printed Aug. 1, 2016.
 12 Insect/Bug Screens for drink cans new, http://www.ebay.com/itm/12-Insect-Bug-Screens-for-drink-cans-new-/350568389160?pt=UK_Home_Garden_Food_SM&hash=item5198f811a28, printed Aug. 1, 2016.
 Happy Birthday Soda Can Cover/Lid/Cap 20 Pack—hygienic & safe drinking from can, [http://www.ebay.co.uk/itm/HAPPY-BIRTHDAY-SODA-CAN-COVER-LID-CAP-20-PA . . .](http://www.ebay.co.uk/itm/HAPPY-BIRTHDAY-SODA-CAN-COVER-LID-CAP-20-PA...), printed Jul. 20, 2016.
 Safe Cover for soda beverage cans—5 pack—Hygienic & protected drinking; [http://www.ebay.co.uk/itm/Safe-Cover-for-soda-beverage-cans-5-pack-HYGIENIC-PROT . . .](http://www.ebay.co.uk/itm/Safe-Cover-for-soda-beverage-cans-5-pack-HYGIENIC-PROT...), printed Jul. 20, 2016.
 Rooster Magazine's "The Incompetent Shopper's Holiday Gift Guide" (Soda Can Bug Screen item on p. 12) posted on-line Dec. 5, 2013. Retrieved from Internet May 24, 2017, URL: <http://www.therooster.com/blog/incompetent-shoppers-holiday-gift-guide> (21 pages).

* cited by examiner

Fig. 1

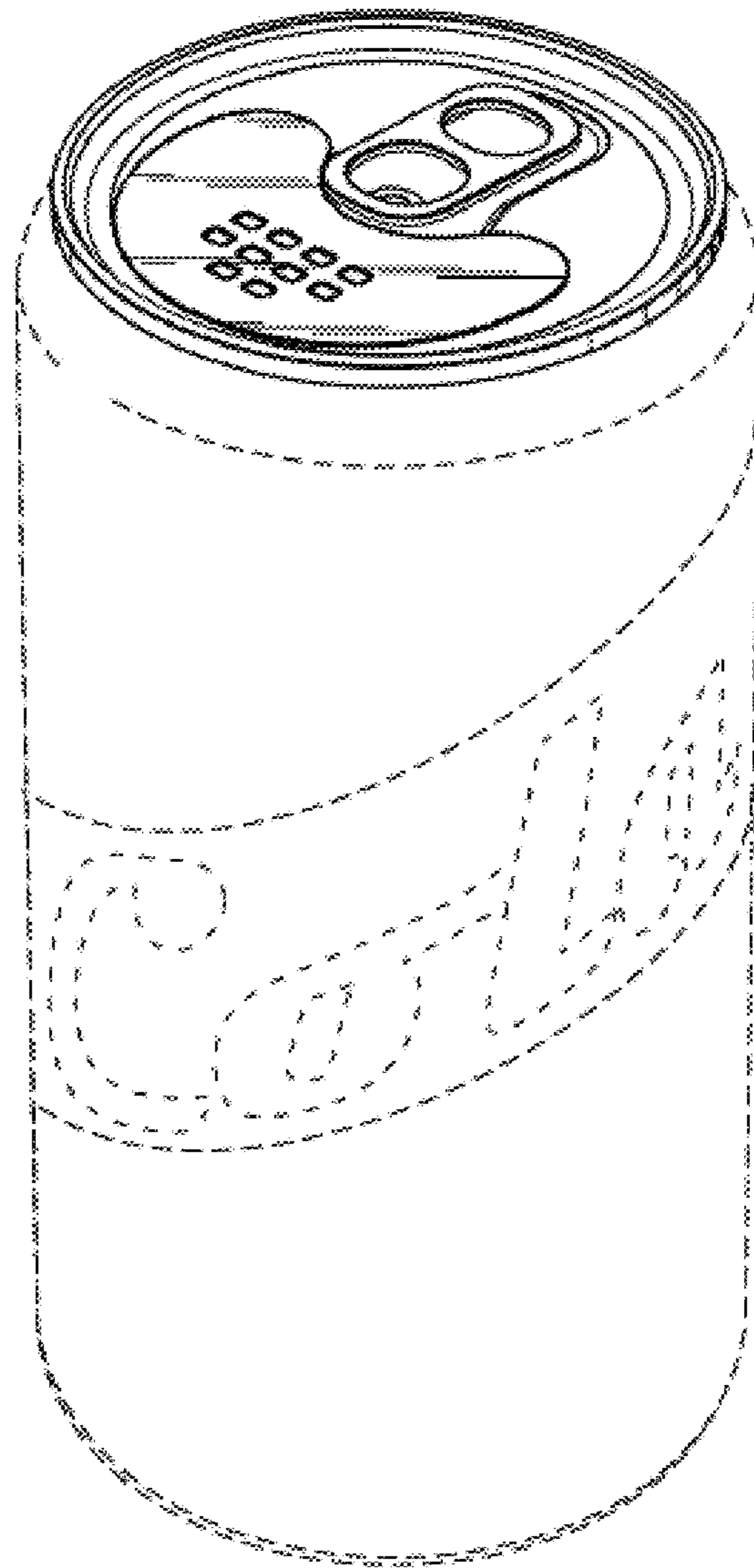


Fig. 2

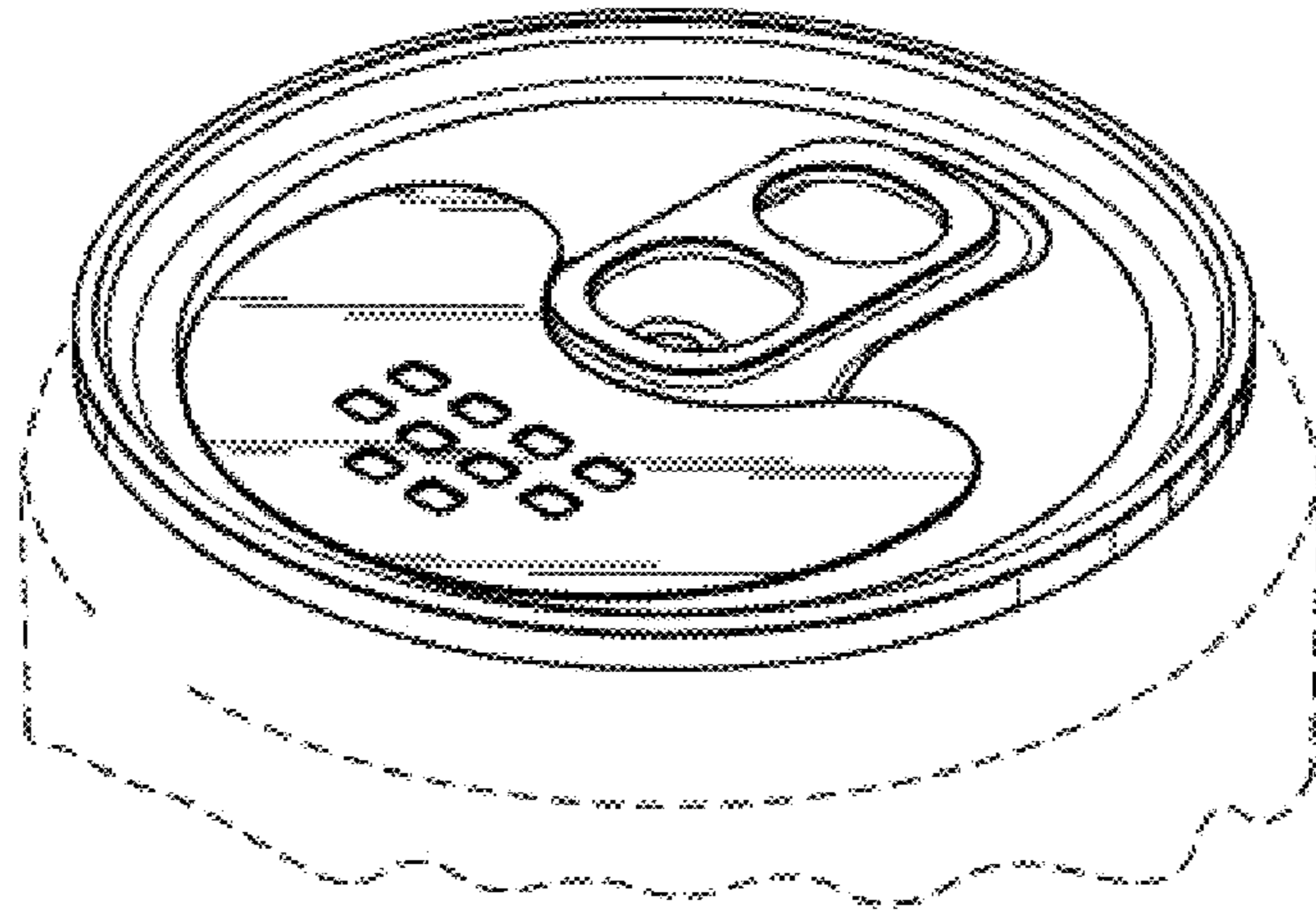


Fig. 3

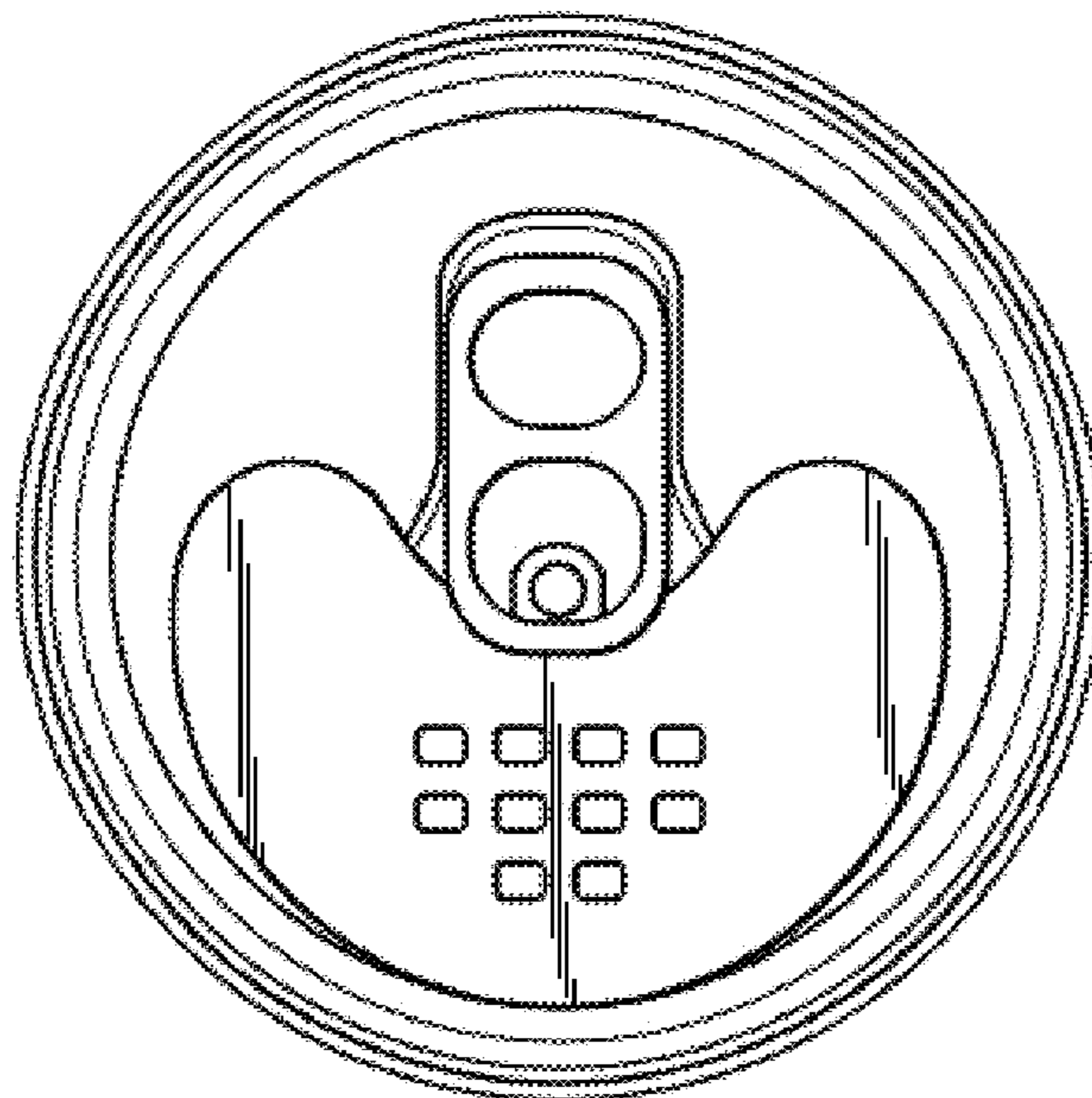


Fig. 4



Fig. 5

