



US00D882393S

(12) **United States Design Patent** (10) **Patent No.:** **US D882,393 S**
Chong et al. (45) **Date of Patent:** **** Apr. 28, 2020**

(54) **PRODUCT CONTAINER**
(71) Applicant: **WM. WRIGLEY JR. COMPANY,**
Chicago, IL (US)
(72) Inventors: **Chen Howe Chong,** Hong Kong (HK);
Changdan Li, Guangzhou (CN); **Siying**
Liang, Guangzhou (CN); **Yali Cheng,**
Guangzhou (CN)
(73) Assignee: **WM. WRIGLEY JR. COMPANY,**
Chicago, IL (US)

D599,655 S * 9/2009 Friebe D9/420
D694,100 S * 11/2013 Schneider D24/224
D744,328 S * 12/2015 Ramachandran D9/420
D744,826 S * 12/2015 Giraud D9/420
D763,681 S * 8/2016 Morgan D9/428
D830,029 S * 10/2018 Greenspon D34/9
D840,684 S * 2/2019 Luburic D3/294
D846,380 S * 4/2019 Giraud D9/420
D851,349 S * 6/2019 Beumer D34/9
D858,023 S * 8/2019 Beumer D34/7
2004/0238553 A1* 12/2004 Lane B65D 43/169
220/835

(Continued)

(**) Term: **15 Years**

Primary Examiner — Wan Laymon
Assistant Examiner — Clint A Samuel

(21) Appl. No.: **29/655,695**

(22) Filed: **Jul. 6, 2018**

(57) **CLAIM**

We claim the ornamental design for a product container, as substantially shown and described.

(30) **Foreign Application Priority Data**

Jan. 8, 2018 (CN) 2018 3 0006472

(51) **LOC (12) Cl.** **09-03**

(52) **U.S. Cl.**
USPC **D9/420**

(58) **Field of Classification Search**
USPC D9/414, 420, 423, 428, 432, 763, 767,
D9/770, 780; D3/201, 203.5, 900, 901,
D3/903, 905; D7/601, 602, 900
CPC ... B65D 1/10; B65D 1/12; B65D 1/14; B65D
1/15; B65D 1/16; B65D 1/18; B65D
1/22; B65D 1/165; B65D 25/00; B65D
43/02; B65D 43/14; B65D 43/162; B65D
43/163; B65D 43/164; B65D 81/02;
B65D 81/3813; B65D 21/0234
See application file for complete search history.

DESCRIPTION

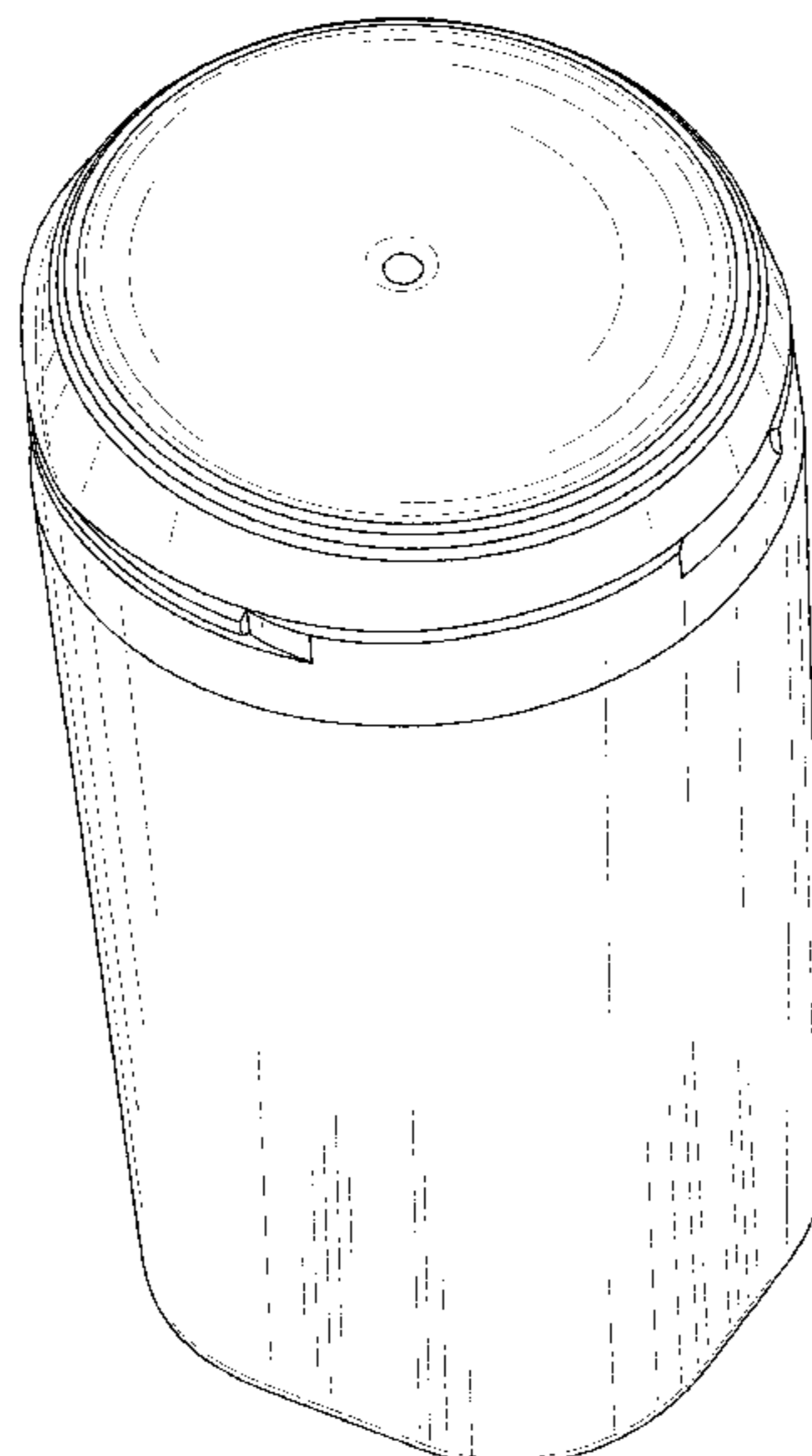
FIG. 1 is an elevated perspective view of a product container of the present invention.
FIG. 2 is a level view of a front side of the product container of the present invention.
FIG. 3 is a level view of a rear side of the product container of the present invention.
FIG. 4 is a level view of a right side of the product container of the present invention.
FIG. 5 is a level view of a left side of the product container of the present invention.
FIG. 6 is a top plan view of a top side of the product container of the present invention; and,
FIG. 7 is a bottom-up view of a bottom side of the product container of the present invention.
The broken lines shown in the drawings are included for the purpose of illustrating portions of the product container and form no part of the claimed design.

(56) **References Cited**

U.S. PATENT DOCUMENTS

D461,352 S * 8/2002 Pianezza D6/520
6,772,904 B1 * 8/2004 Gilliam B65D 1/10
220/254.3

1 Claim, 6 Drawing Sheets



(56)

References Cited

U.S. PATENT DOCUMENTS

2018/0244438 A1* 8/2018 Morichon B65D 43/0218
2019/0021531 A1* 1/2019 Sims A47G 19/2272
2019/0077556 A1* 3/2019 Luburic B65D 50/06
2019/0135508 A1* 5/2019 Sunning B65D 77/20

* cited by examiner

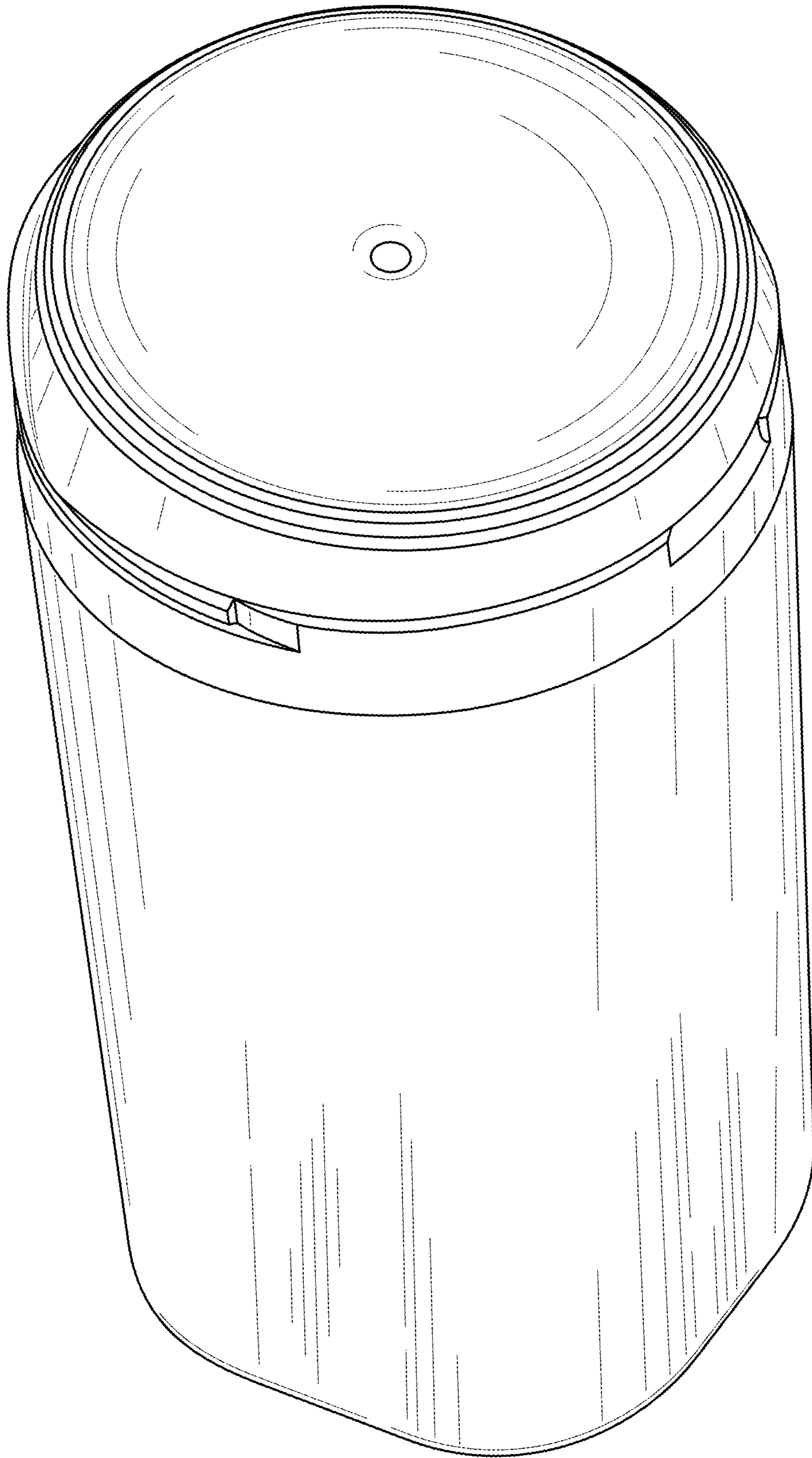


FIG. 1

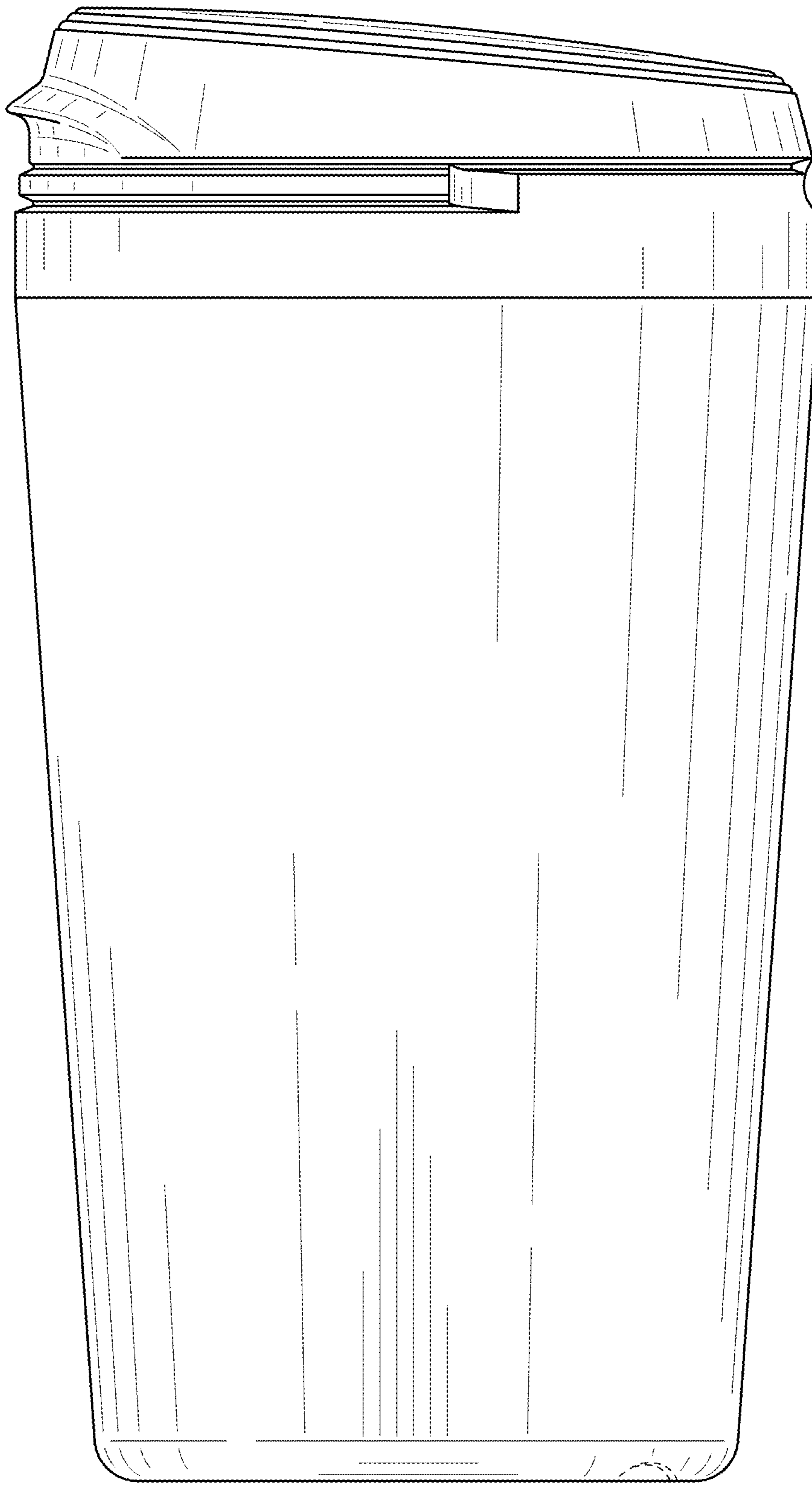


FIG. 2

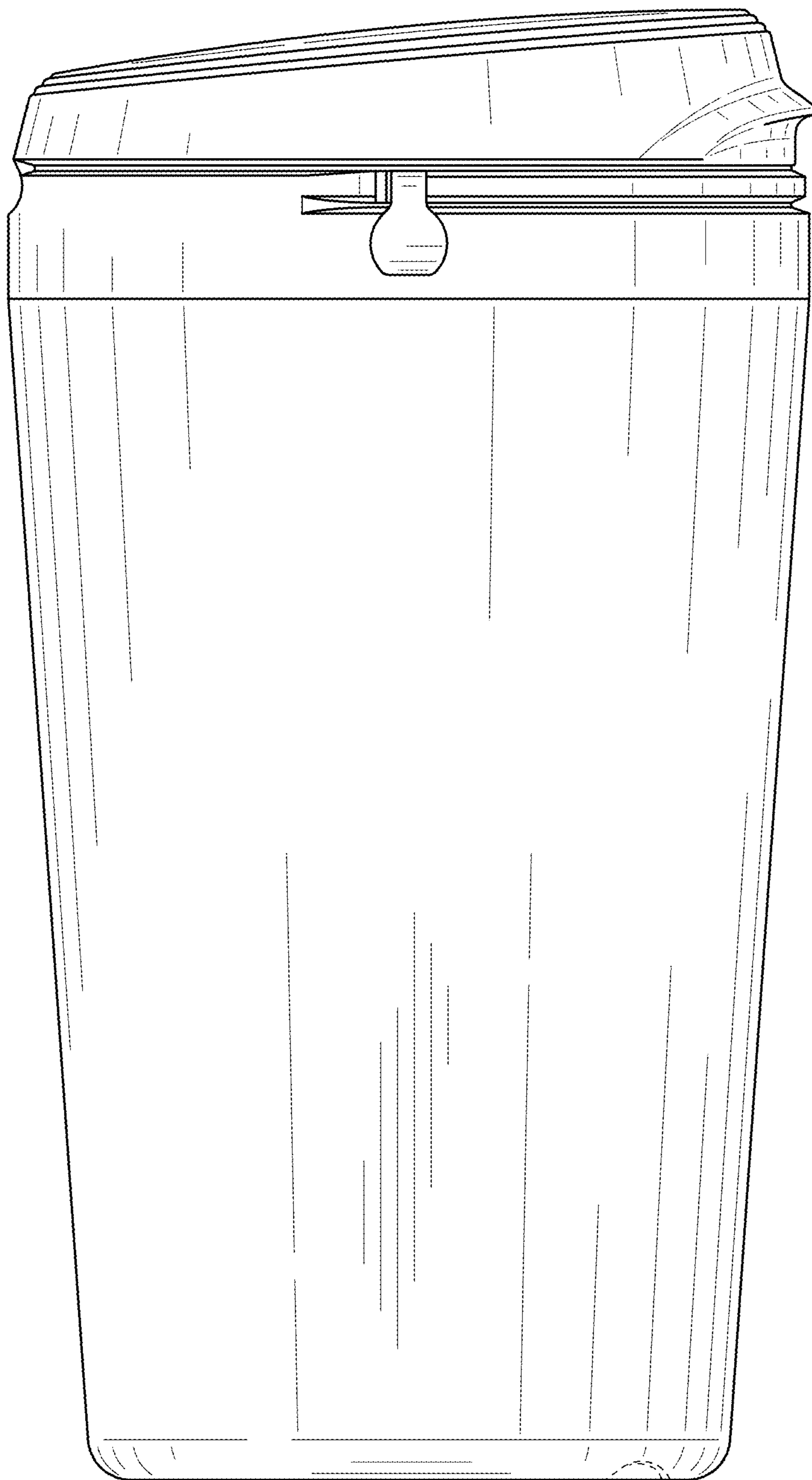


FIG. 3

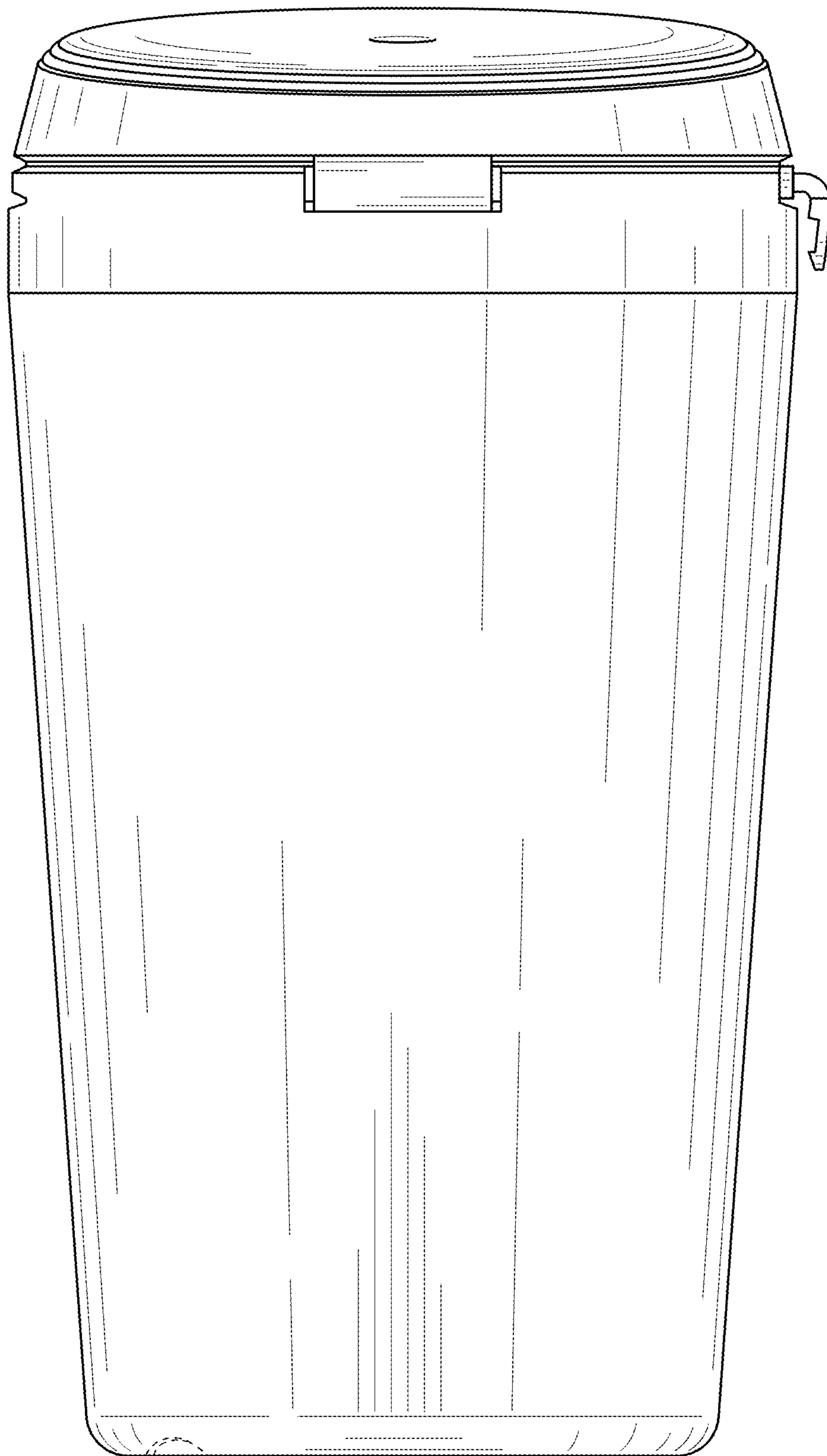


FIG. 4

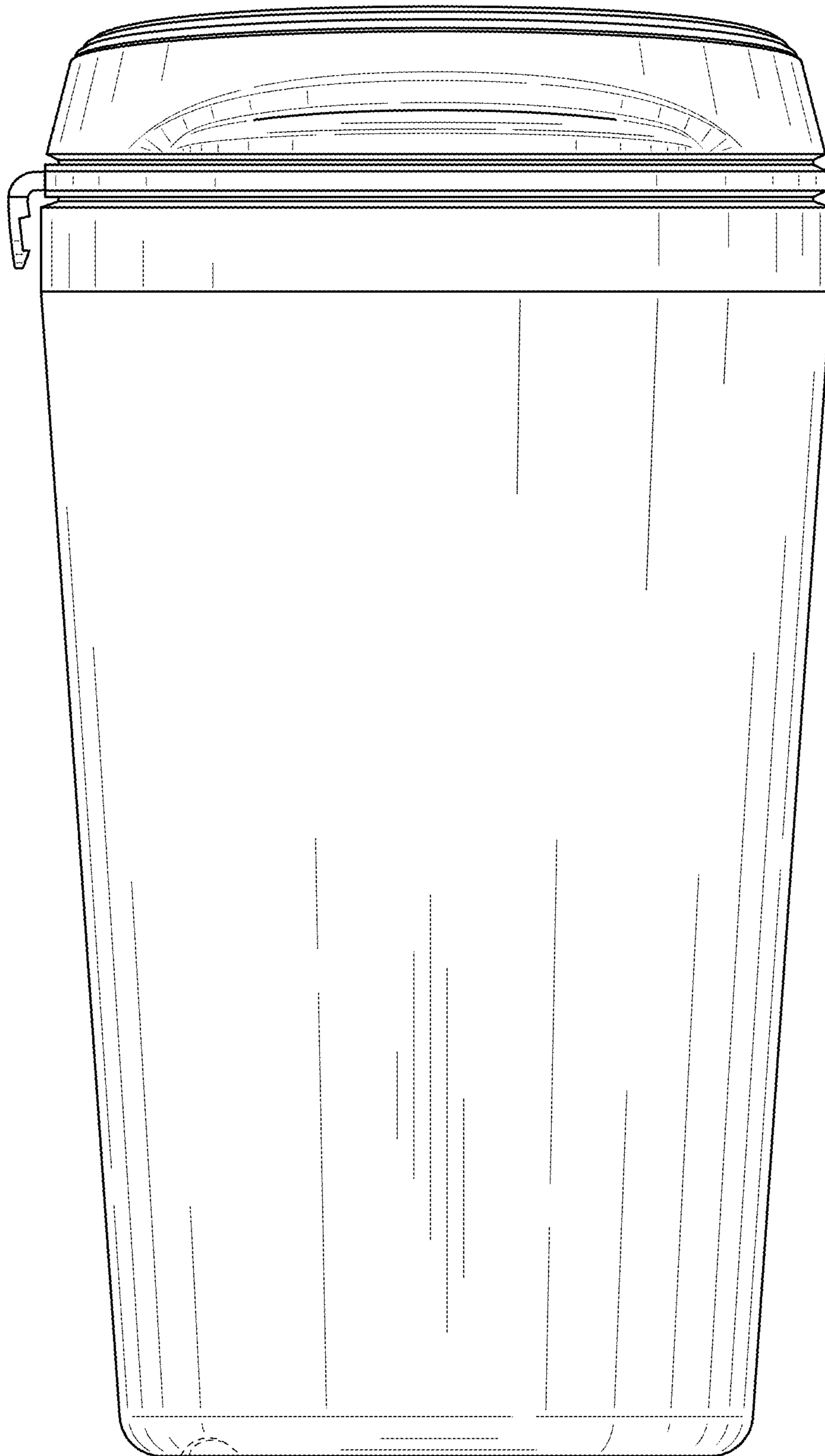


FIG. 5

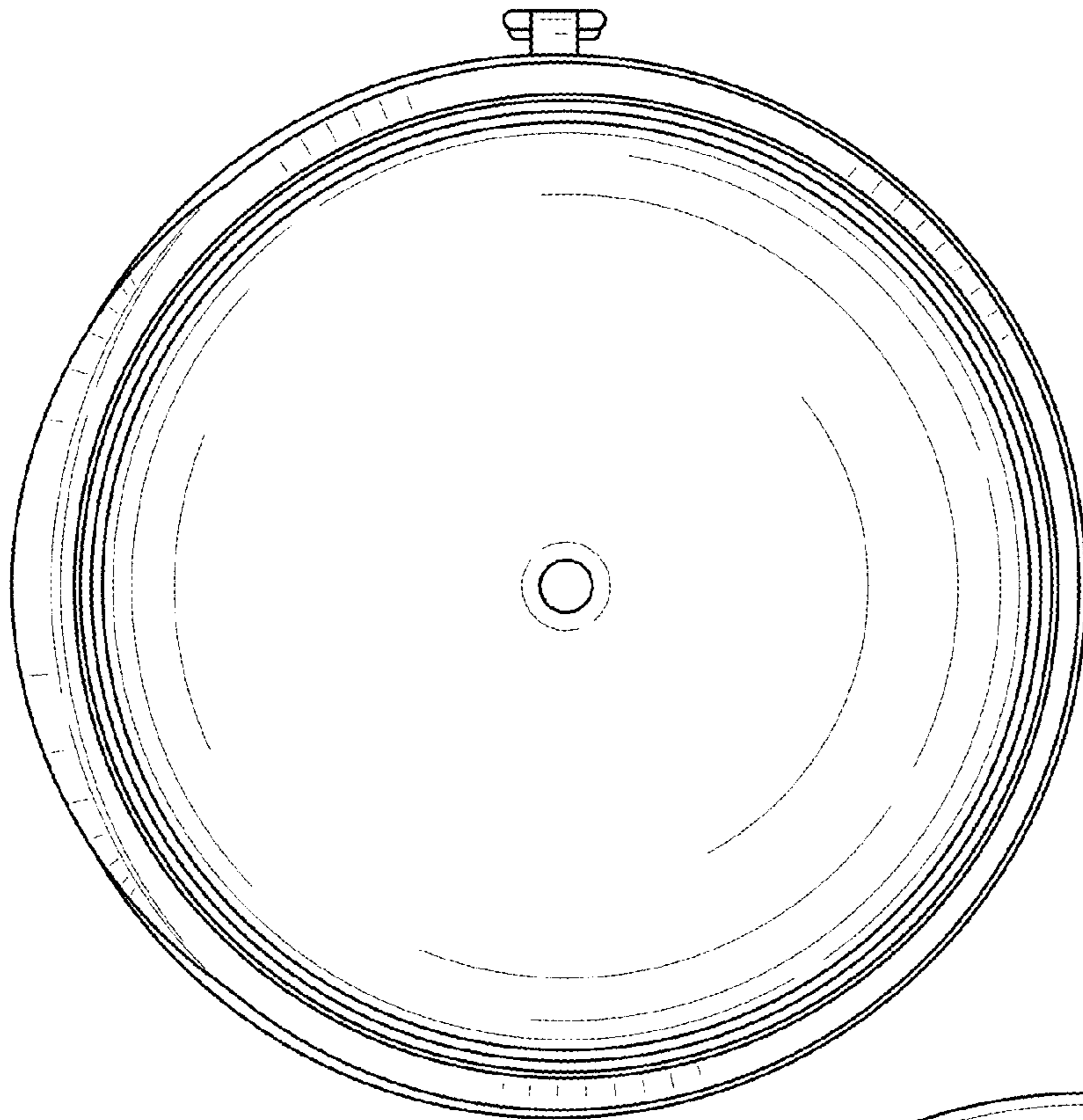


FIG. 6

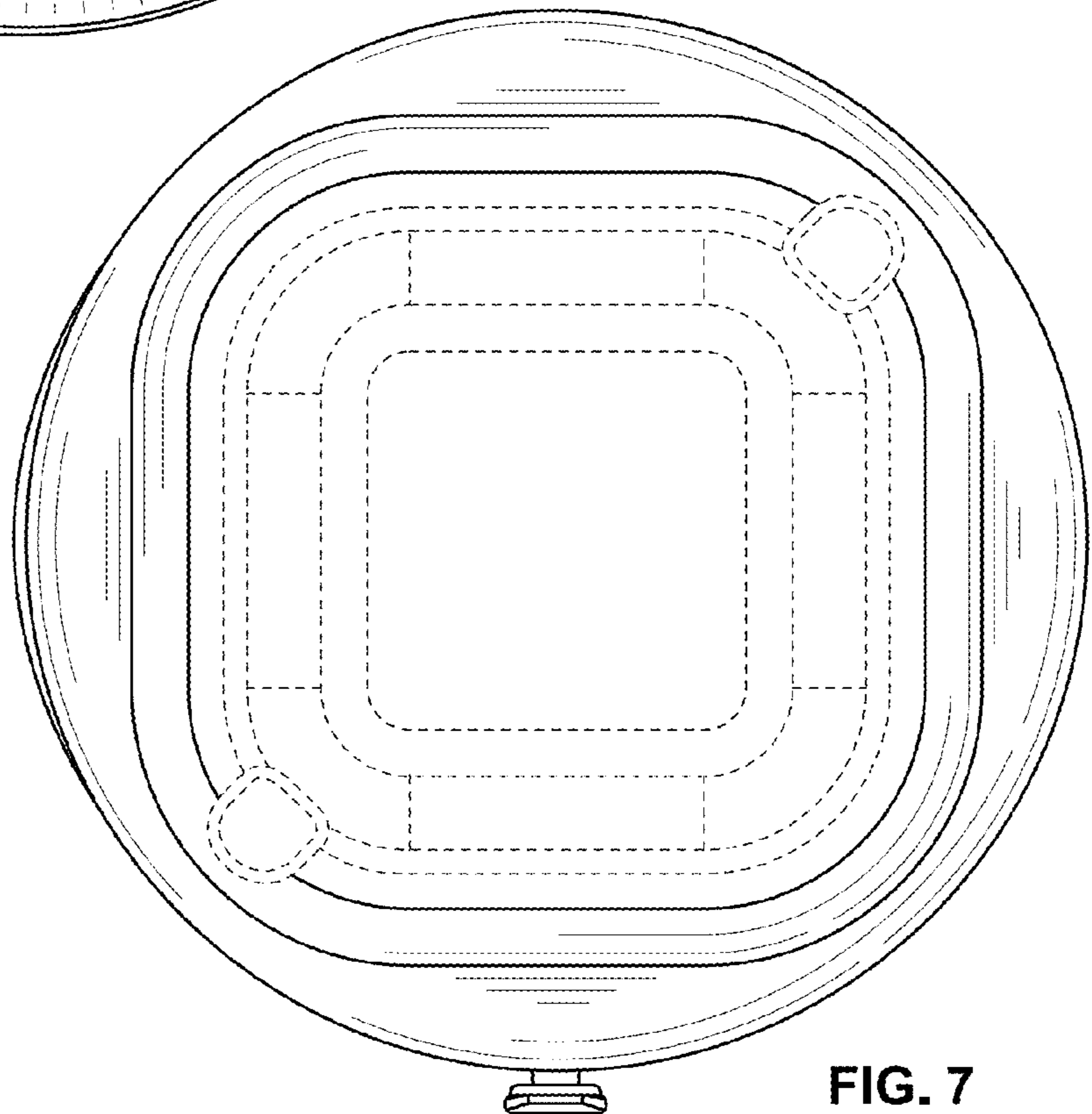


FIG. 7