



US00D882392S

(12) **United States Design Patent**  
**Haines**

(10) **Patent No.:** **US D882,392 S**  
(45) **Date of Patent:** **\*\* Apr. 28, 2020**

(54) **VIRTUAL REALITY ENHANCED BOOK AND PACKAGING**

(71) Applicant: **A BIG CHUNK OF MUD LLC**, Los Angeles, CA (US)

(72) Inventor: **J. Michelle Haines**, Los Angeles, CA (US)

(73) Assignee: **A BIG CHUNK OF MUD LLC**, Los Angeles, CA (US)

(\*\*) Term: **15 Years**

(21) Appl. No.: **29/625,829**

(22) Filed: **Nov. 13, 2017**

(51) **LOC (12) Cl.** ..... **09-03**

(52) **U.S. Cl.**  
USPC ..... **D9/420**

(58) **Field of Classification Search**  
USPC ..... D9/414, 418, 423, 430, 432, 433, 634,  
D9/737, 759; D19/1, 26, 65, 88, 91;  
D3/901, 903; D14/345, 479; D28/83  
CPC ... B65D 7/00; B65D 7/02; B65D 7/06; B65D  
7/065; B65D 1/00; B65D 1/22; B65D  
1/34; B65D 21/02; B65D 21/0234; B65D  
43/161; B65D 43/162; B42D 1/02; B42D  
3/00; B42D 3/10; B42D 3/12; B42D  
3/123; G09B 5/06

See application file for complete search history.

(56) **References Cited**

U.S. PATENT DOCUMENTS

1,582,458	A *	4/1926	Fortney	.....	B42D 1/001 281/16
2,197,152	A *	4/1940	Mason	.....	B65D 5/28 229/145
D175,722	S	10/1955	Graham		
D268,098	S *	3/1983	Brown	.....	D9/418
D271,161	S *	11/1983	Compton	.....	D19/26

(Continued)

*Primary Examiner* — Wan Laymon

*Assistant Examiner* — Clint A Samuel

(74) *Attorney, Agent, or Firm* — DLA Piper LLP (US)

(57) **CLAIM**

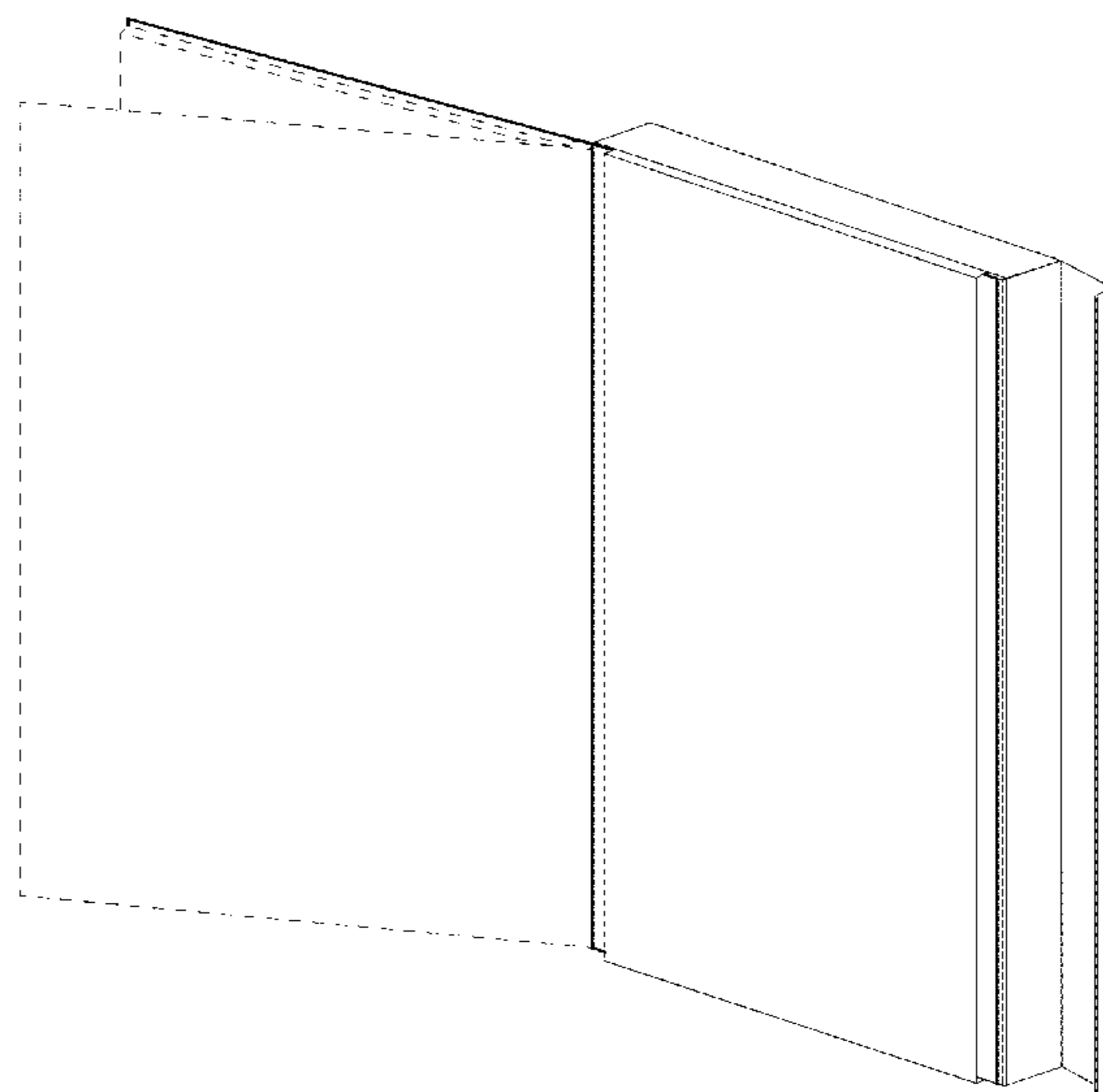
The ornamental design for a virtual reality enhanced book and packaging, as shown and described.

**DESCRIPTION**

FIG. 1 is a top, front perspective view of a virtual reality enhanced book and packaging in an open configuration, showing my new design;  
 FIG. 2 is a top, back perspective view thereof;  
 FIG. 3 is a top, right perspective view thereof;  
 FIG. 4 is a top, left perspective view thereof;  
 FIG. 5 is a top plan view thereof;  
 FIG. 6 is a bottom plan view thereof;  
 FIG. 7 is a top, front perspective view thereof, showing the virtual reality enhanced book and packaging in a closed configuration with an adhesive sticker;  
 FIG. 8 is a top, back perspective view thereof, showing the closed configuration with an adhesive sticker;  
 FIG. 9 is a left side elevational view thereof, showing the closed configuration with an adhesive sticker;  
 FIG. 10 is a right side elevational view thereof;  
 FIG. 11 is a top plan view thereof;  
 FIG. 12 is a bottom plan view thereof;  
 FIG. 13 is a top, front exploded perspective view thereof, showing the virtual reality enhanced book and packaging in an unassembled condition;  
 FIG. 14 is a top, back exploded perspective view thereof;  
 FIG. 15 is a right side exploded elevational view thereof;  
 FIG. 16 is a left side exploded elevational view thereof;  
 FIG. 17 is a top exploded plan view thereof; and,  
 FIG. 18 is a bottom exploded plan view thereof.

The broken lines in the drawings represent portions of the enhanced book and packaging that form no part of the claimed design.

**1 Claim, 18 Drawing Sheets**





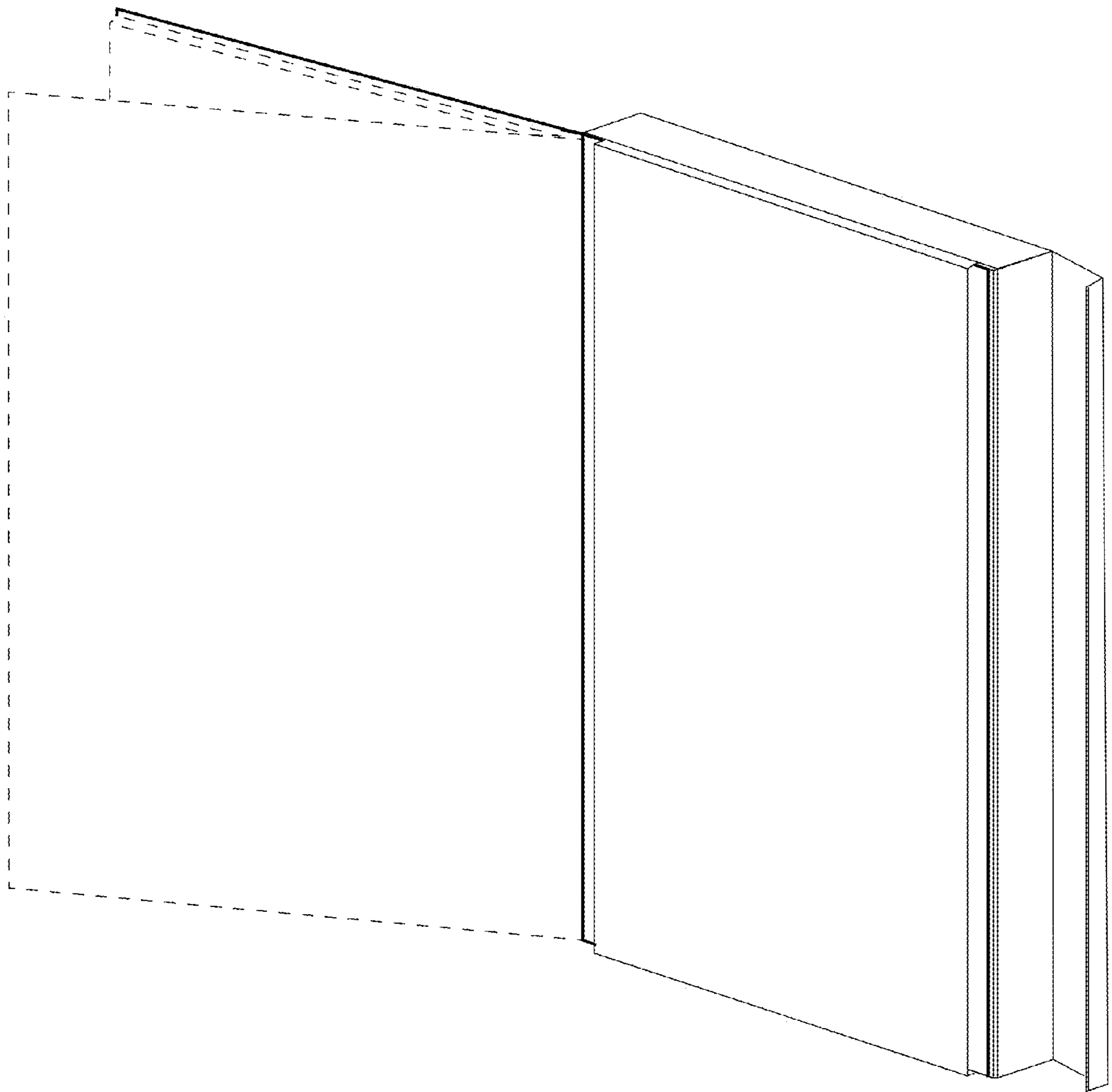


FIG. 1

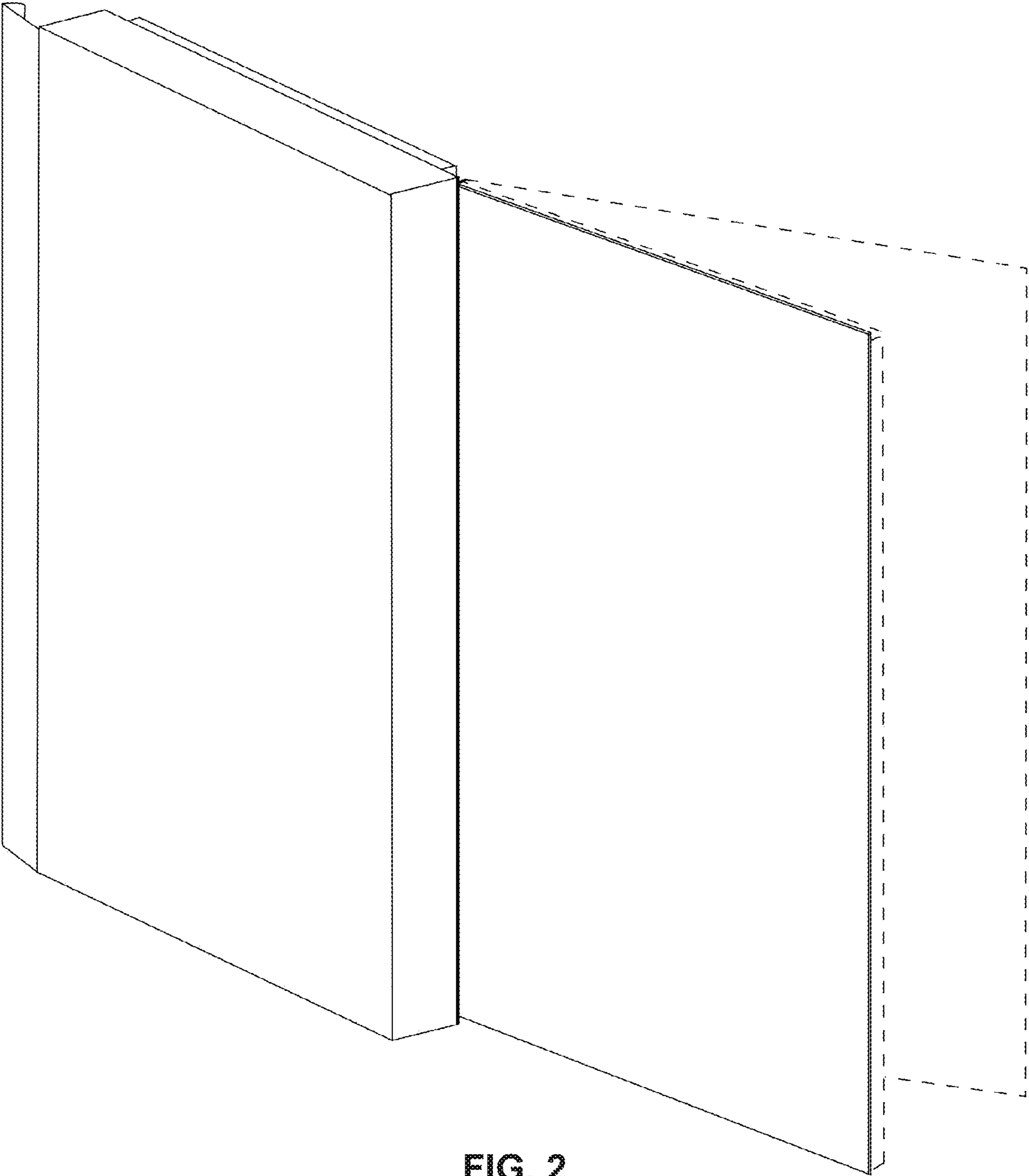


FIG. 2

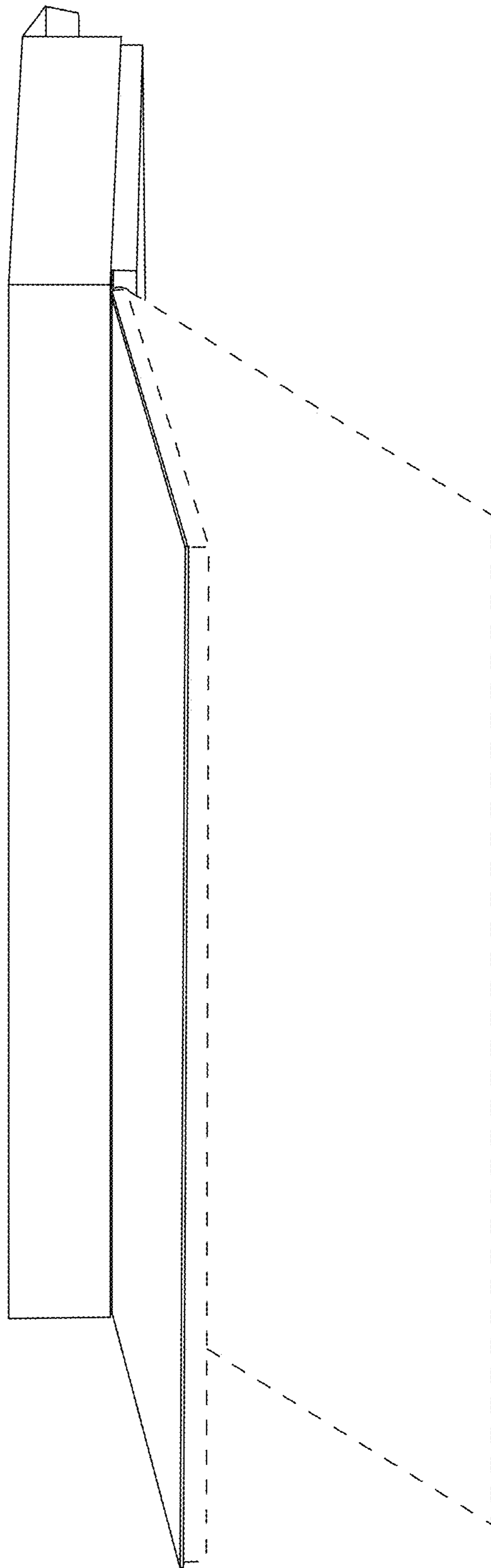


FIG. 3

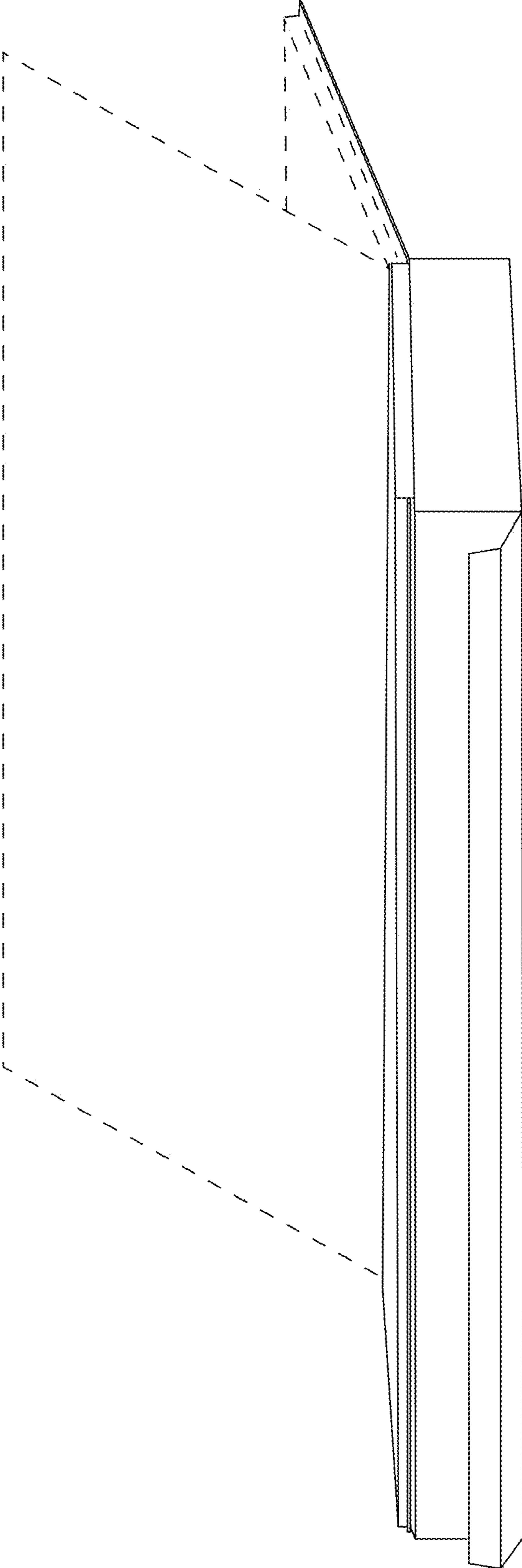


FIG. 4

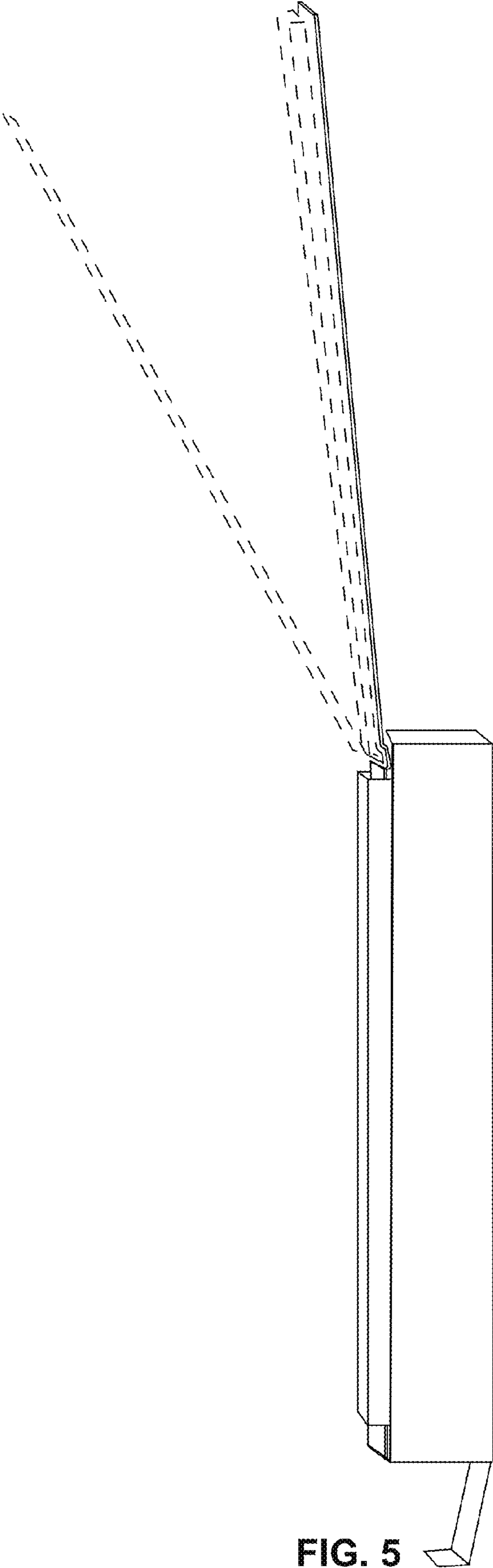


FIG. 5



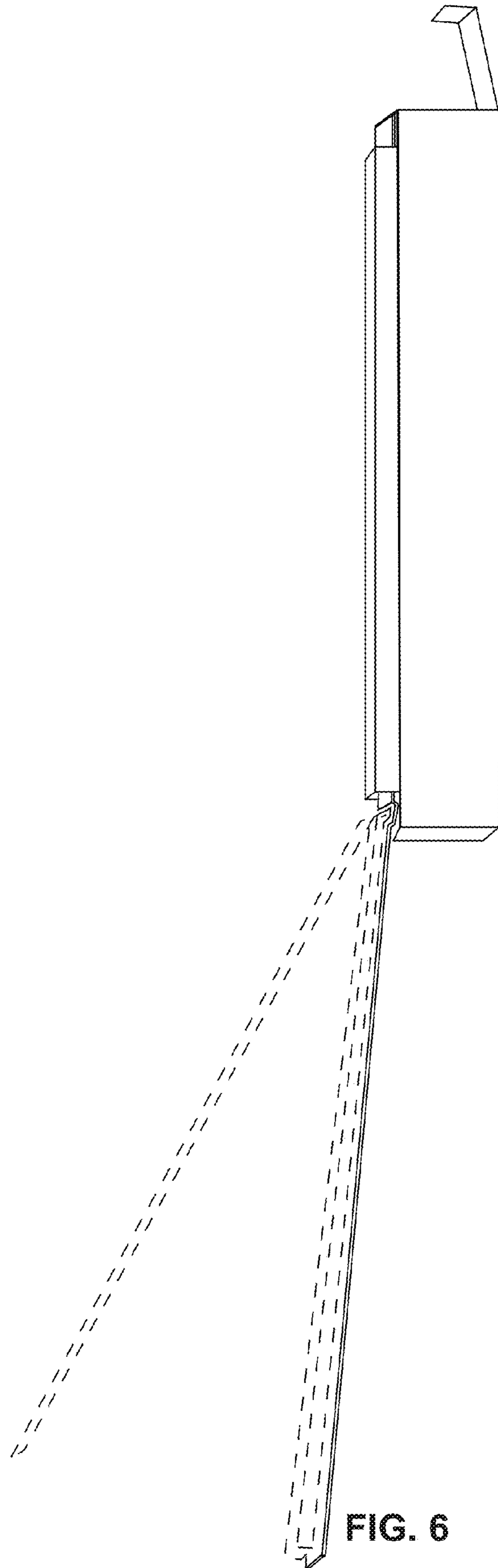


FIG. 6



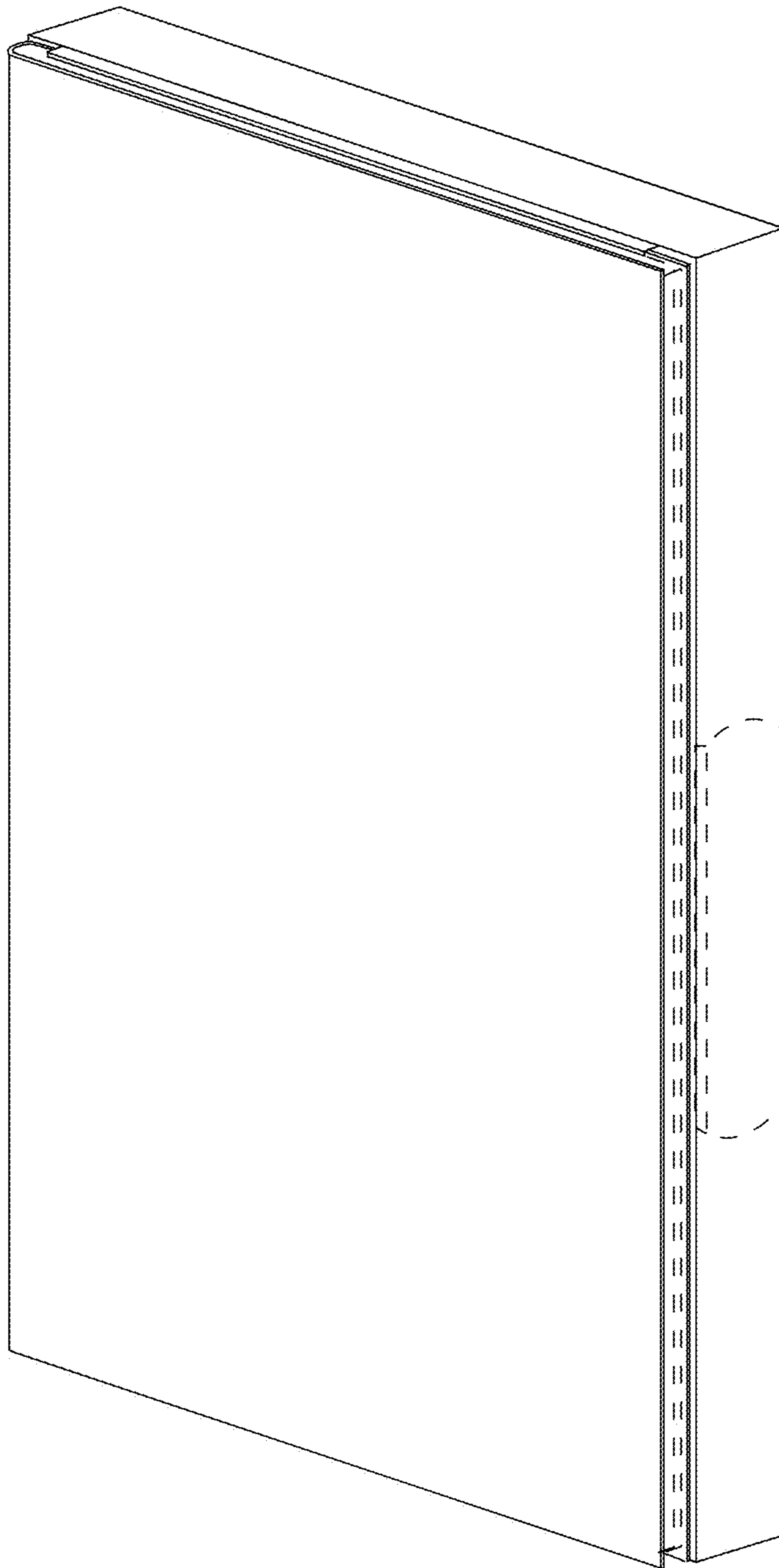


FIG. 7

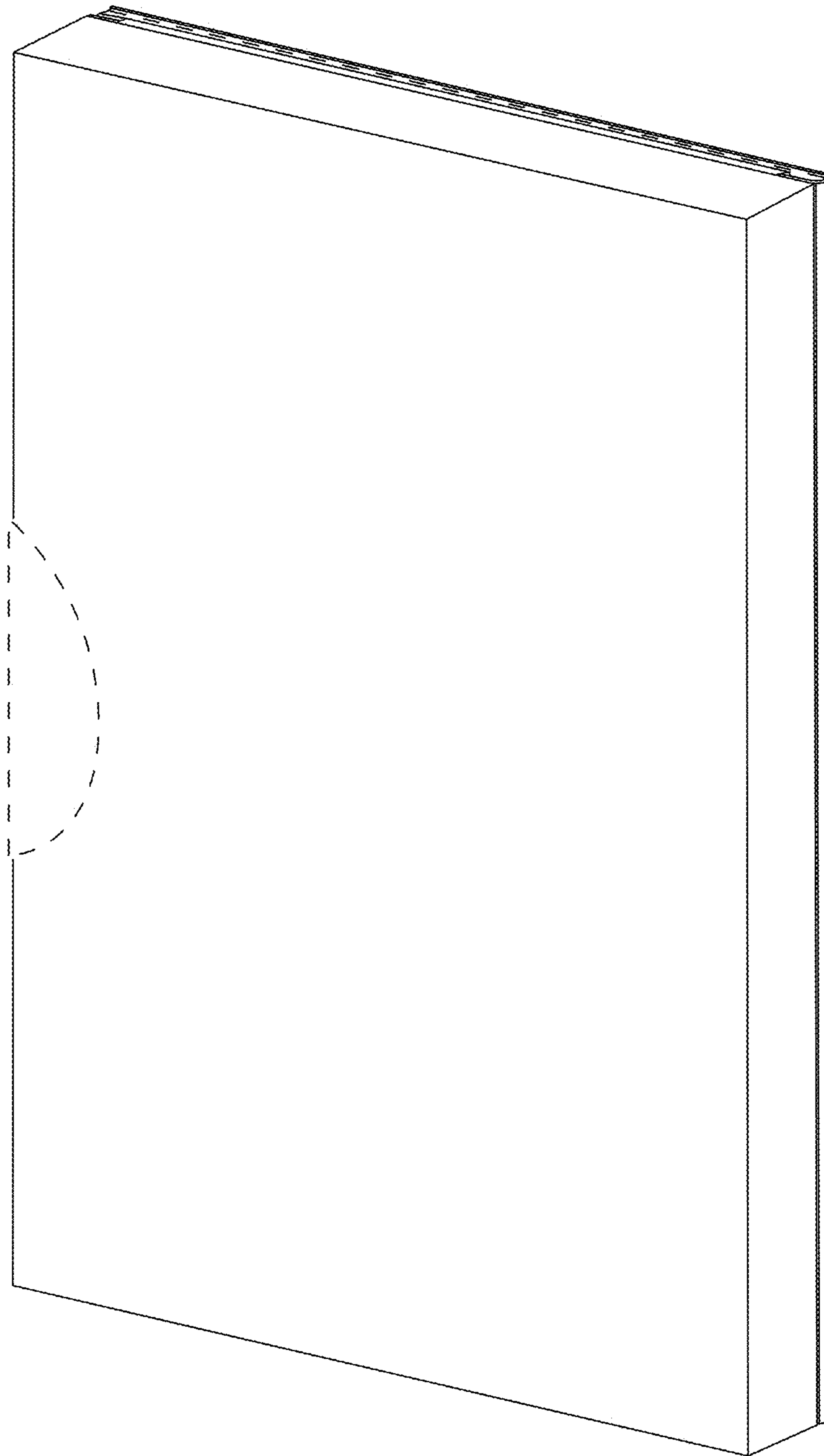


FIG. 8

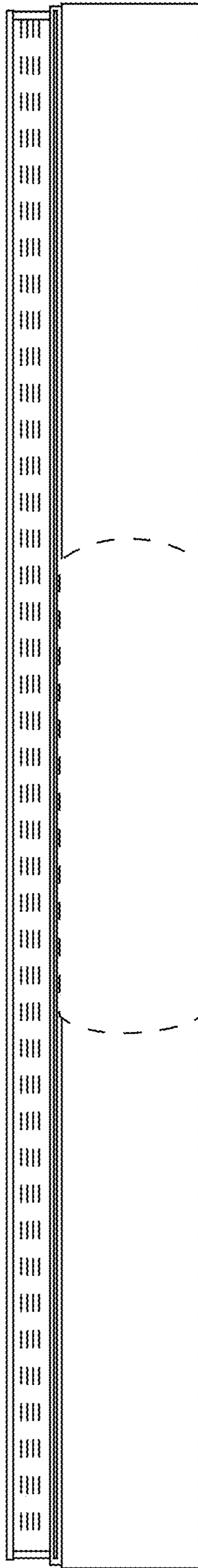


FIG. 9

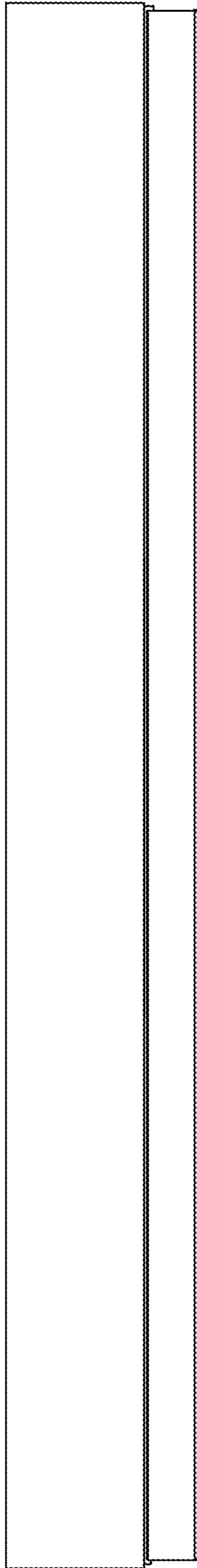


FIG. 10

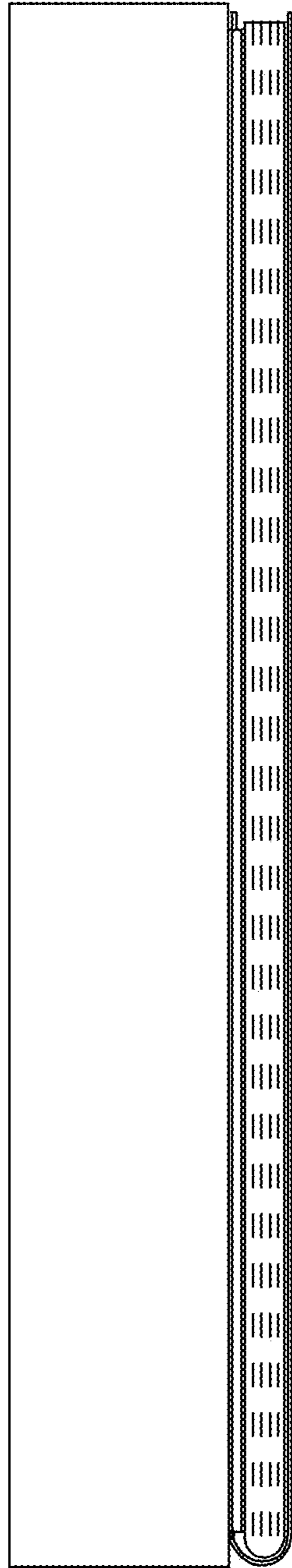


FIG. 11

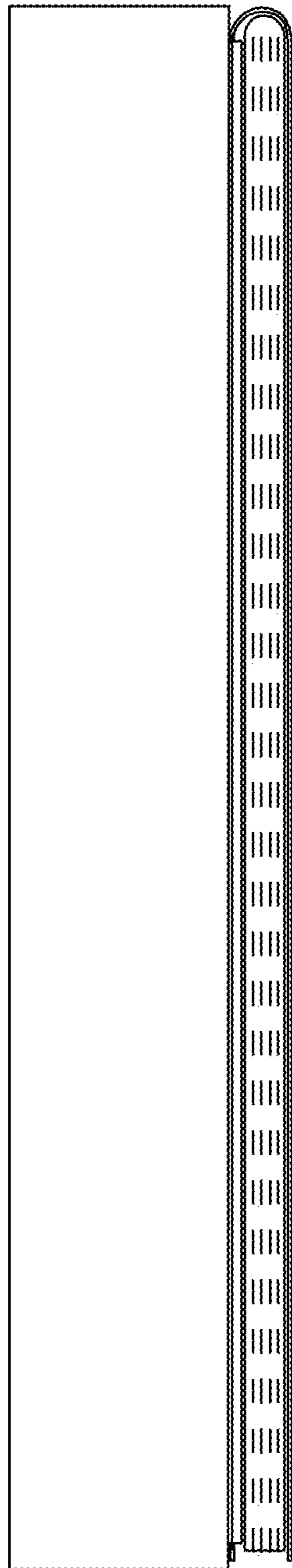
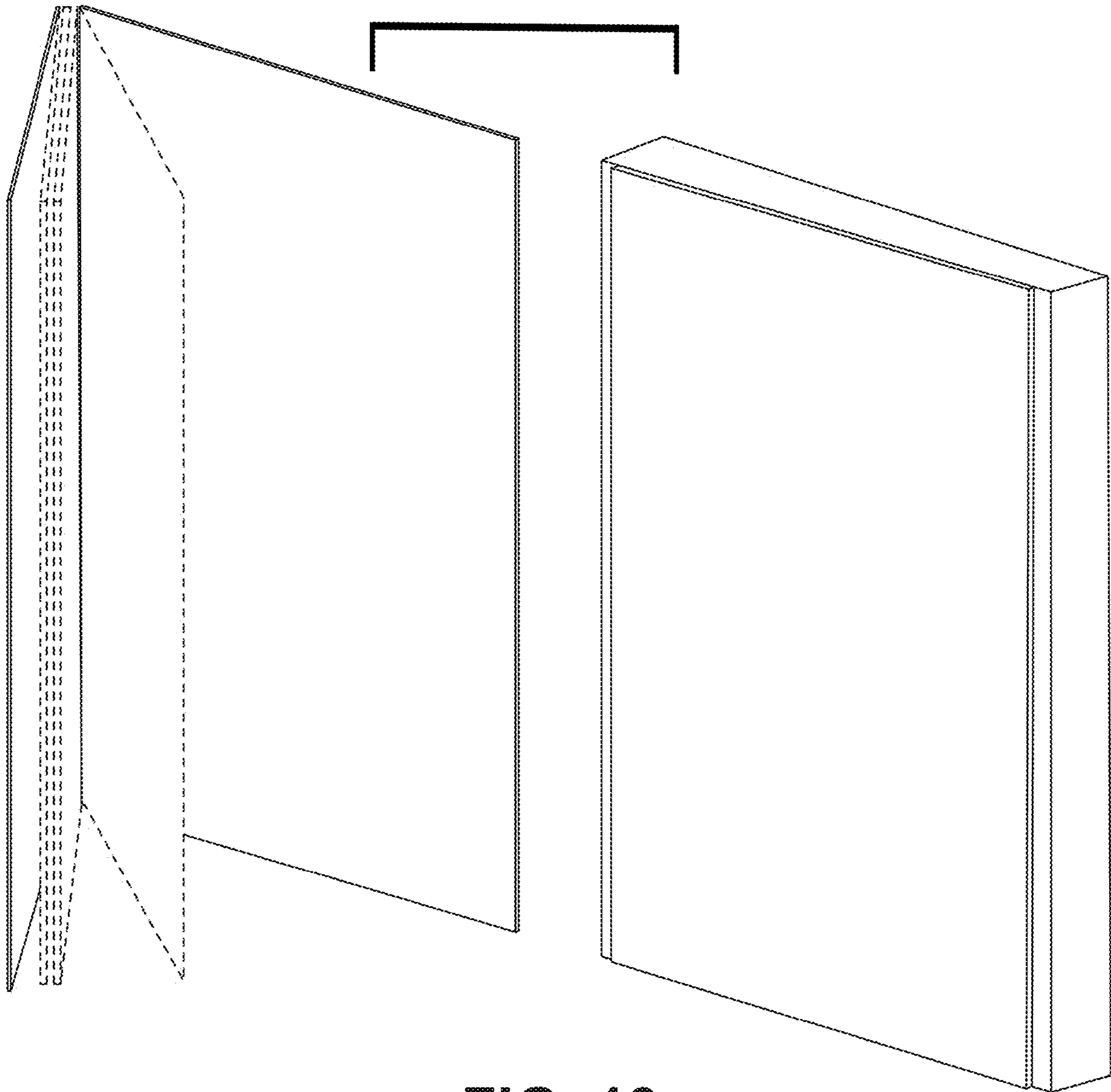


FIG. 12



**FIG. 13**



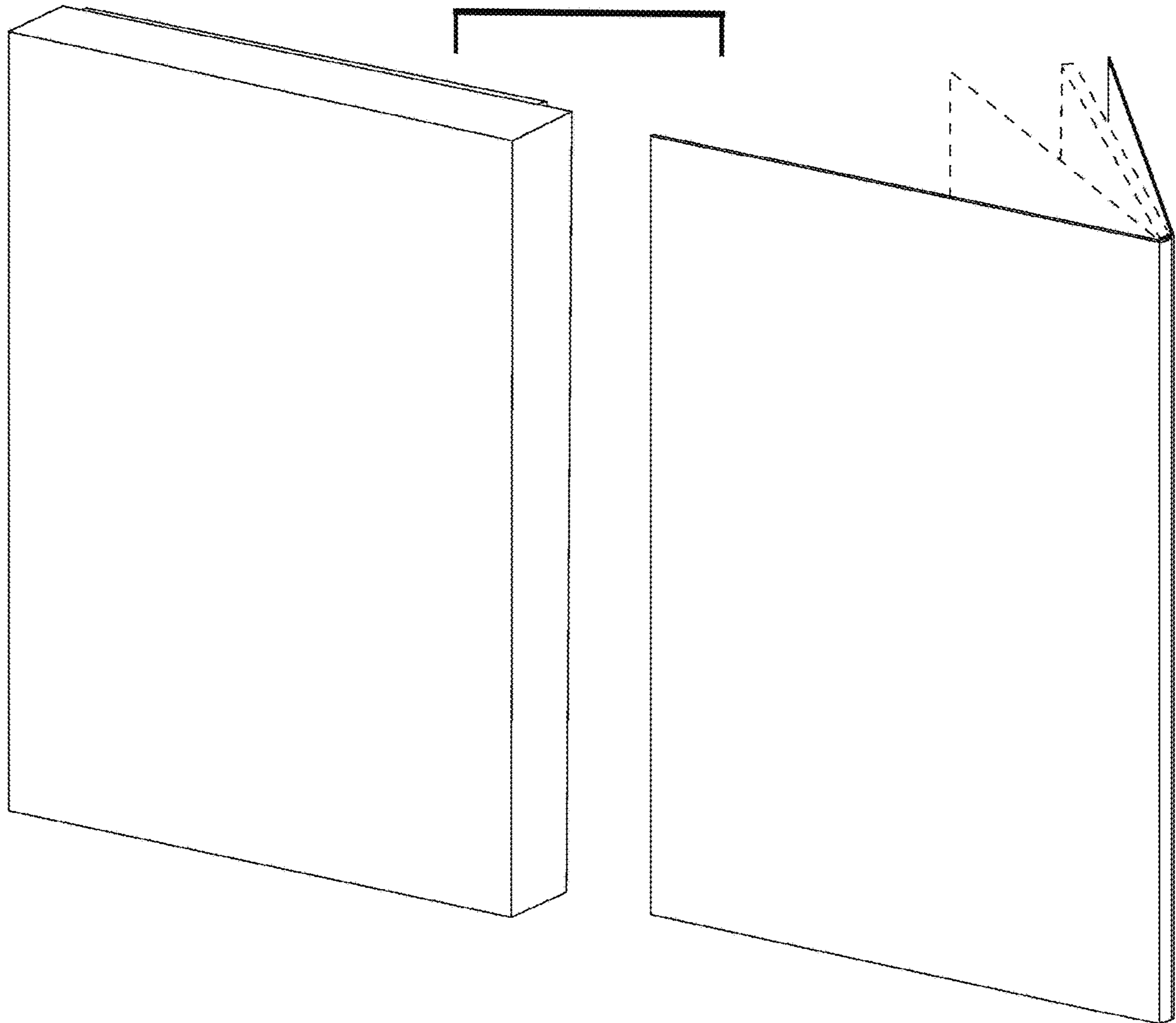


FIG. 14

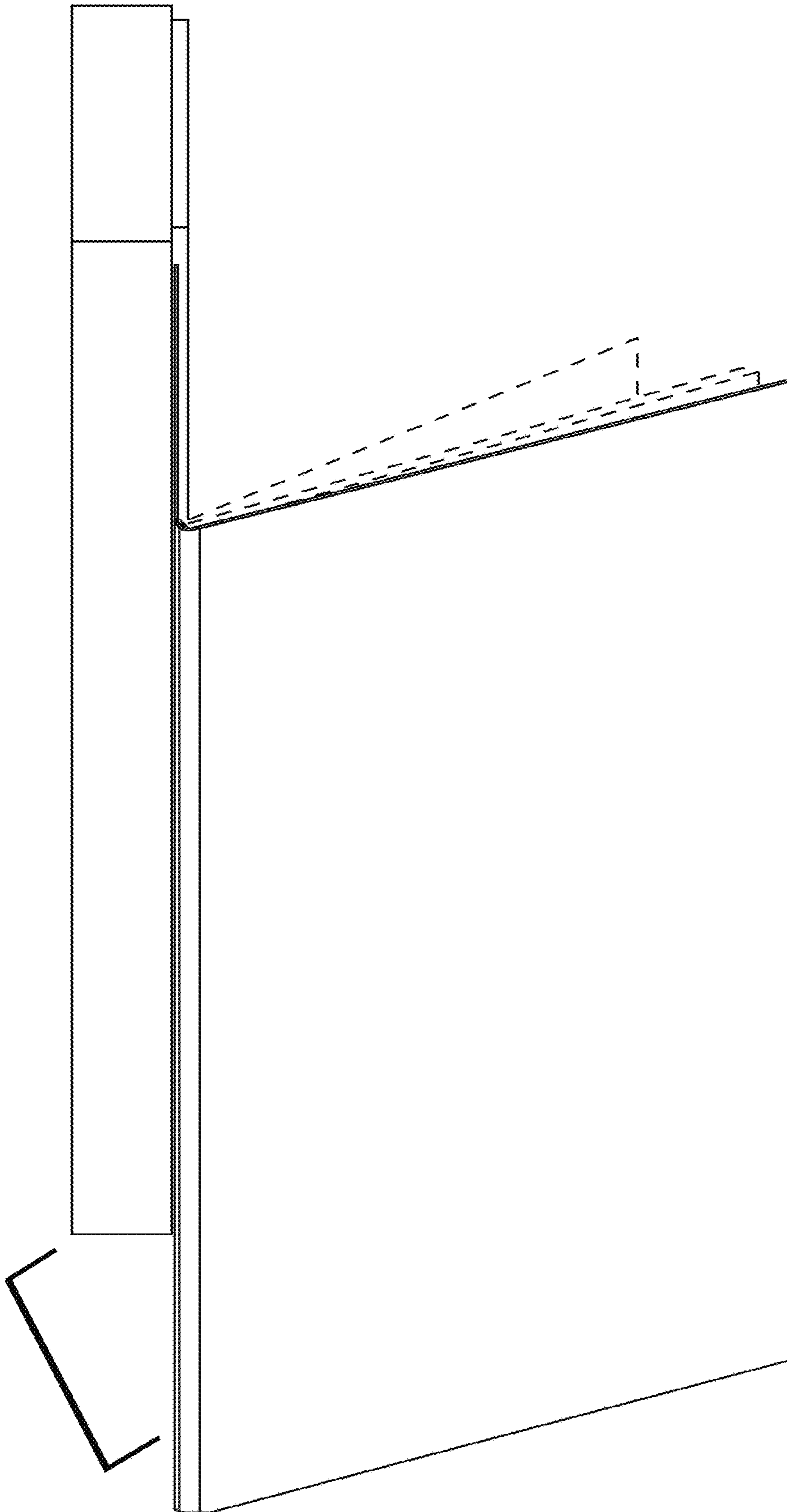


FIG. 15

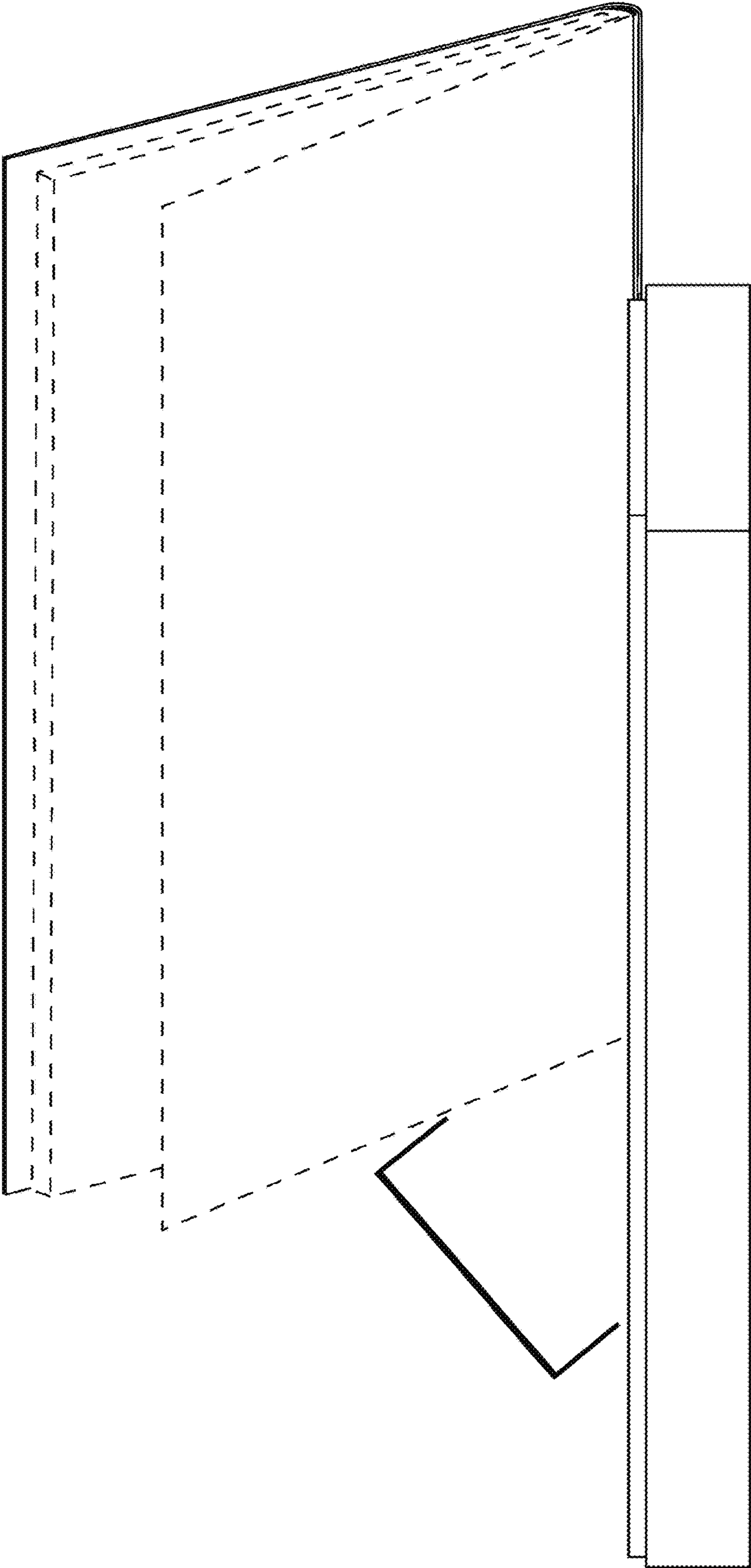


FIG. 16

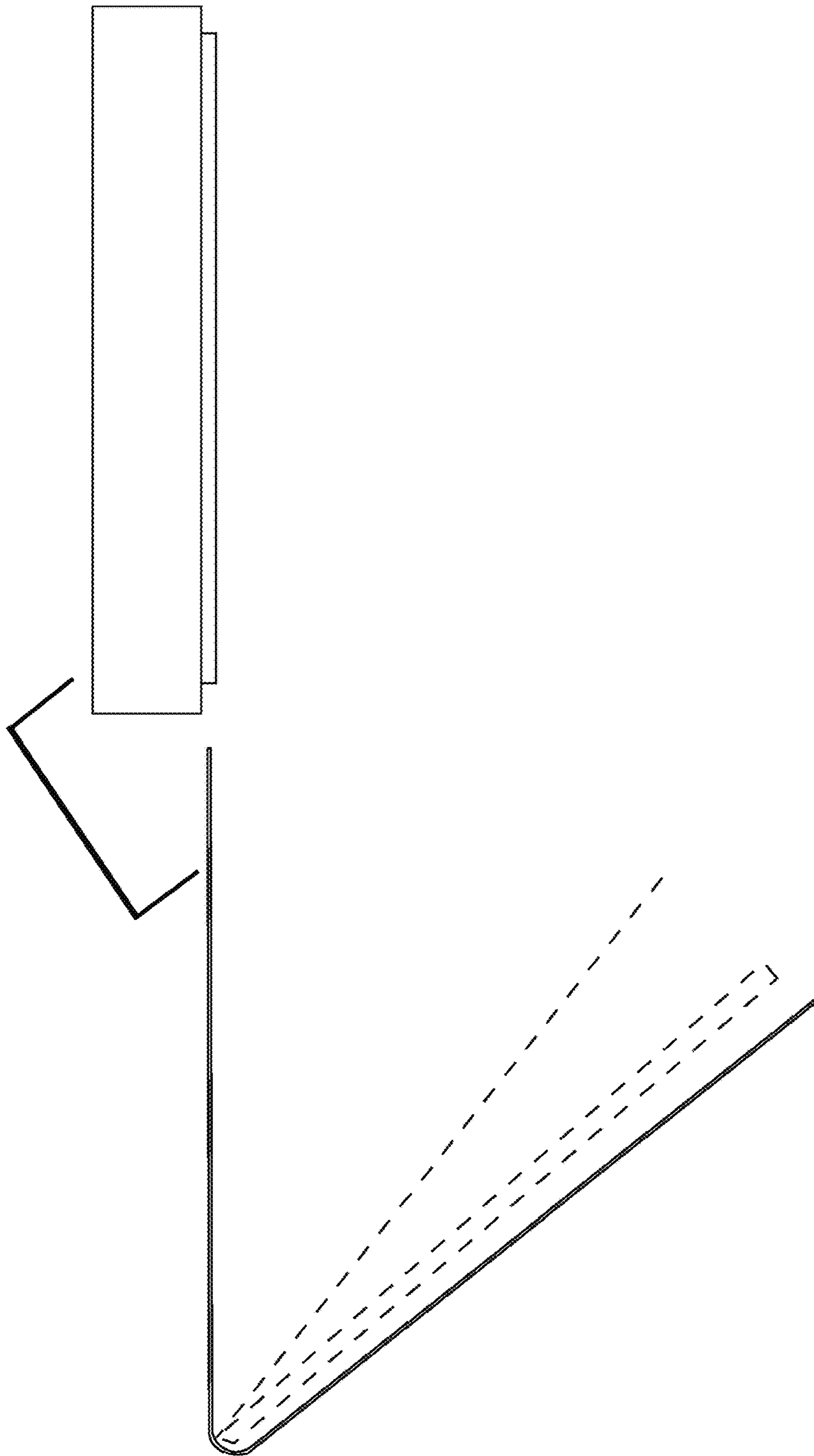


FIG. 17

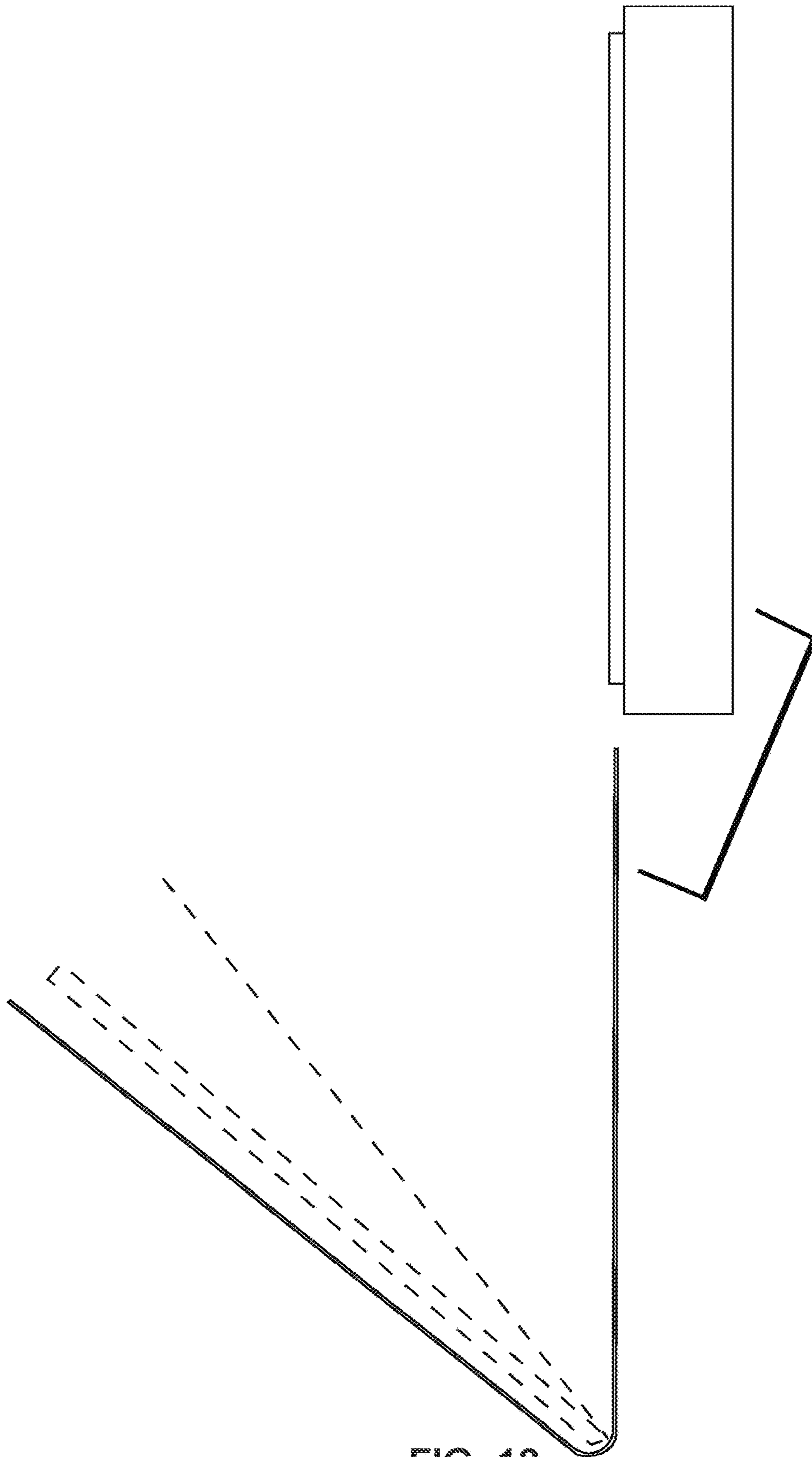


FIG. 18