



US00D882386S

(12) **United States Design Patent**  
**Zeilinger**

(10) **Patent No.:** **US D882,386 S**

(45) **Date of Patent:** **\*\* Apr. 28, 2020**

- (54) **GINGERBREAD HOUSE CLIP**
- (71) Applicant: **James E Zeilinger**, Cleveland, OH  
(US)
- (72) Inventor: **James E Zeilinger**, Cleveland, OH  
(US)
- (\*\*) Term: **15 Years**
- (21) Appl. No.: **29/651,013**
- (22) Filed: **Oct. 20, 2017**
- (51) **LOC (12) Cl.** ..... **08-08**
- (52) **U.S. Cl.**  
USPC ..... **D8/394**
- (58) **Field of Classification Search**  
USPC ..... D8/354, 382, 394, 395, 396, 499;  
D25/76, 88, 98; D1/120, 129, 199  
CPC ..... A23P 10/10; A23G 3/56; A23G 3/343;  
A21D 13/24; A21D 13/47  
See application file for complete search history.

- D304,421 S 11/1989 Holdaway ..... D8/37
- D306,875 S 3/1990 Coccagna ..... D19/65
- D312,706 S 12/1990 Janesko ..... D26/138
- D318,785 S 8/1991 Dean ..... 52/696
- 5,038,445 A \* 8/1991 Jeruzal ..... B65D 81/054  
206/586
- D322,551 S \* 12/1991 Tosevski ..... D6/562
- D352,963 S 11/1994 Siler ..... D19/83
- D363,453 S 10/1995 Herdt ..... D11/78.1
- 5,575,131 A \* 11/1996 Menchetti ..... E04B 2/7453  
52/272
- D381,361 S 7/1997 Sato ..... D19/65
- D463,575 S 9/2002 Daudet ..... D25/61
- D484,029 S \* 12/2003 Bainbridge ..... D8/380
- D492,351 S 6/2004 Sato et al. .... D19/65
- D516,904 S 3/2006 Kendrick ..... D8/395
- D526,356 S 8/2006 Shinya ..... D19/65
- D548,668 S 8/2007 Walton et al. .... D12/317
- D581,311 S 11/2008 Cornett ..... D11/78.1
- D606,384 S \* 12/2009 Antonic ..... D8/354
- D608,190 S 1/2010 Jimenez ..... D8/395
- D615,388 S \* 5/2010 Prichard ..... D8/354
- D631,740 S 2/2011 Wood ..... D8/396

(Continued)

Primary Examiner — Steven J Czyz

(74) Attorney, Agent, or Firm — David A. Burge

(56) **References Cited**

U.S. PATENT DOCUMENTS

- D30,630 S 4/1899 Caldwell ..... D8/395
- 1,526,261 A \* 2/1925 Wachs ..... A45C 13/36  
150/130
- 1,675,286 A 6/1928 Van Valkenburg ..... 24/555
- 4,105,352 A \* 8/1978 Holdiman ..... E06B 1/6015  
160/381
- D259,083 S \* 5/1981 Riegsecker ..... D8/382
- D267,775 S 2/1983 Holcombe ..... D8/354
- 4,431,395 A \* 2/1984 Babos ..... A21B 3/13  
249/133
- D272,886 S 3/1984 Holcombe ..... D8/354
- 4,466,223 A 8/1984 Palacio ..... E04B 1/2612  
52/404.5
- D277,546 S 2/1985 Trotta ..... D8/349
- D294,888 S \* 3/1988 Kazanowski ..... D6/300
- D297,112 S 8/1988 Holdaway ..... D8/373

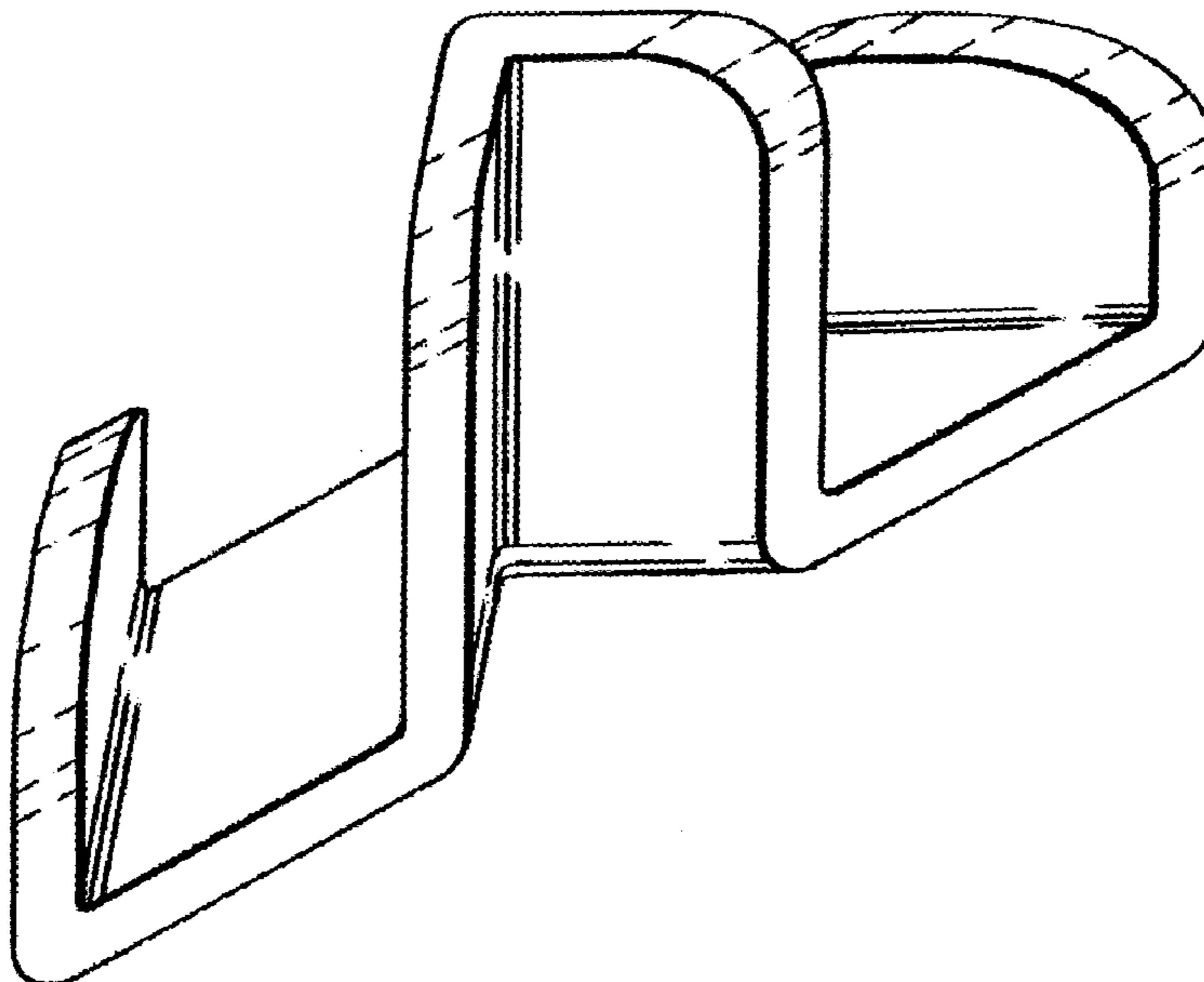
(57) **CLAIM**

I claim the ornamental design for a gingerbread house clip, as shown and described.

**DESCRIPTION**

FIG. 1 is a top, front and left side perspective view of a clip showing my new design;  
FIG. 2 is a front view thereof;  
FIG. 3 is a rear view thereof;  
FIG. 4 is a top view thereof;  
FIG. 5 is a bottom view thereof; and,  
FIG. 6 is a left side view thereof, it being understood that a right side view thereof is a mirror image hereof.

**1 Claim, 2 Drawing Sheets**



(56)

**References Cited**

U.S. PATENT DOCUMENTS

D653,941	S	2/2012	Yasher .....	D8/395
D669,163	S *	10/2012	Gass .....	D23/393
D702,533	S	4/2014	Noturno .....	E04G 21/1891
				D8/354
D722,494	S	2/2015	Ramsauer .....	D8/395
D729,042	S *	5/2015	Guzzoni .....	D8/349
D744,317	S *	12/2015	Densberger .....	D8/354
D745,381	S	12/2015	Head, Jr. ....	D8/395
9,272,829	B2 *	3/2016	Wynnich .....	B65D 7/00
D759,475	S	6/2016	Banno .....	D8/395
9,587,427	B2	3/2017	Webb .....	E06B 9/02
D796,302	S *	9/2017	Bright .....	D8/354
D811,199	S *	2/2018	Bacallao .....	D8/349
D831,466	S *	10/2018	Lang .....	D8/349
2002/0092259	A1	7/2002	Crawford .....	E04B 7/022
				52/696
2019/0116809	A1 *	4/2019	Zeilinger .....	A21D 13/47
2019/0116861	A1 *	4/2019	Zeilinger .....	A23P 10/10

\* cited by examiner

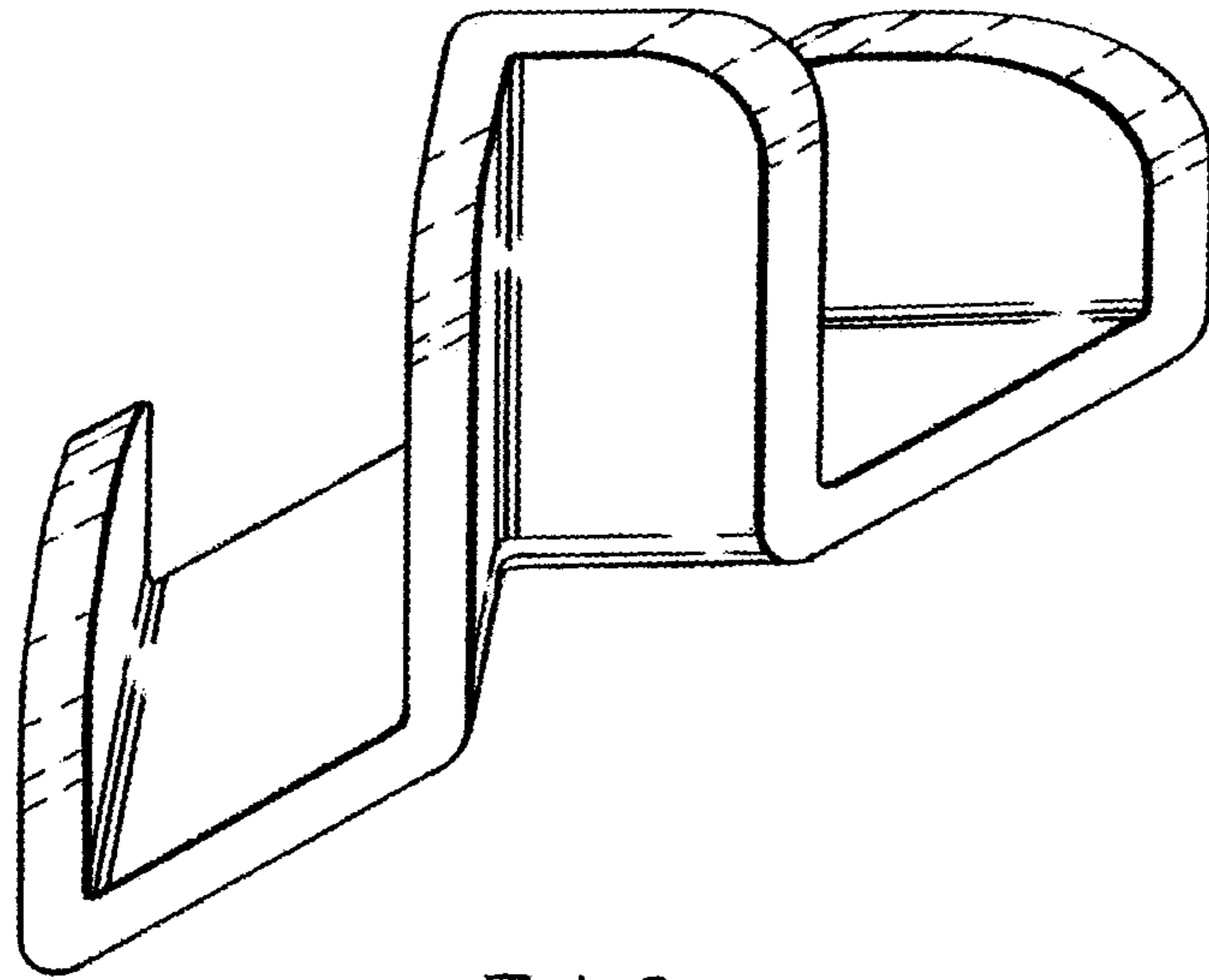


FIG. 1

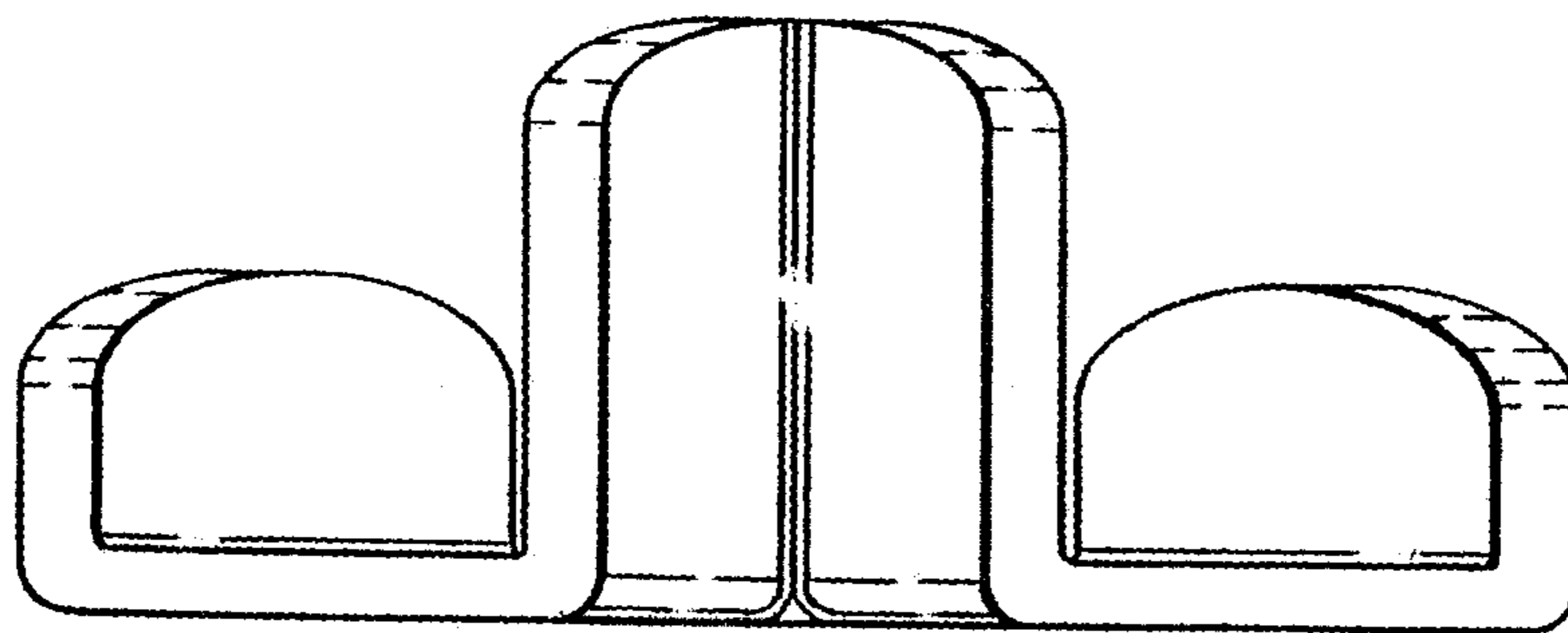


FIG. 2

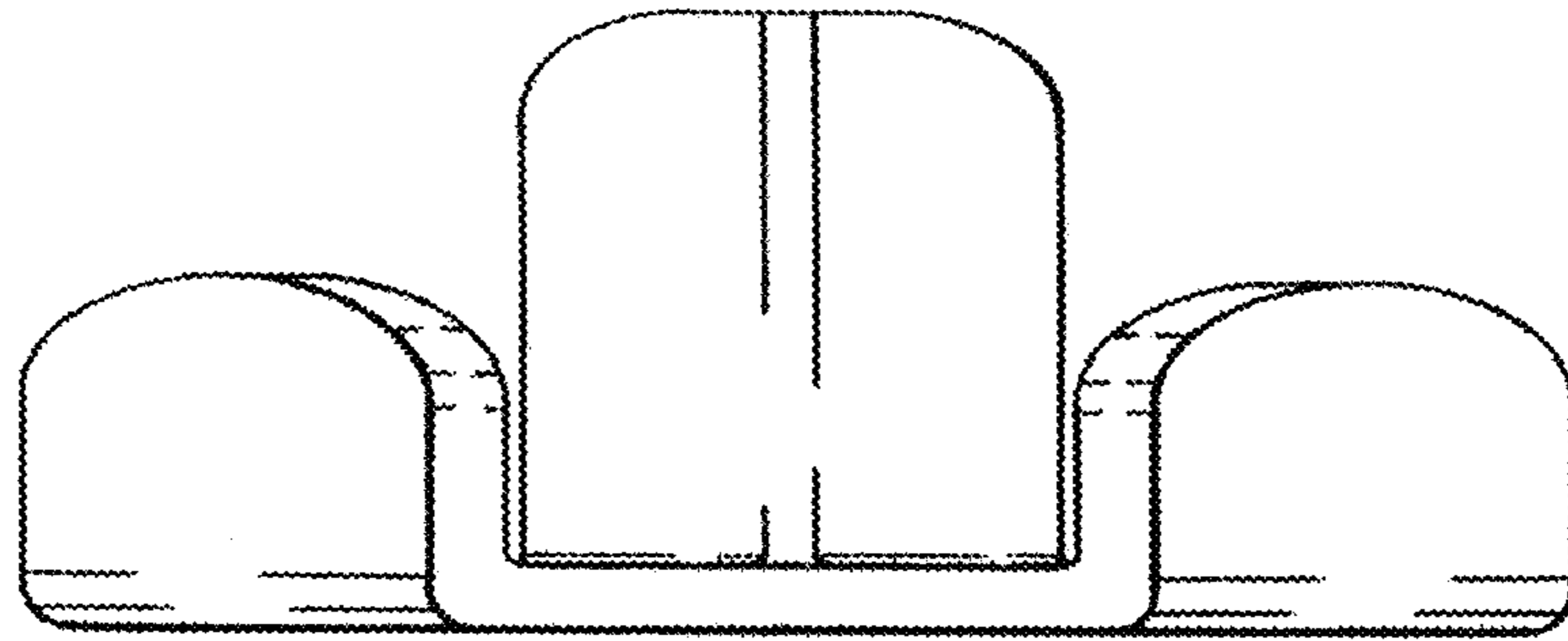


FIG. 3



FIG. 4

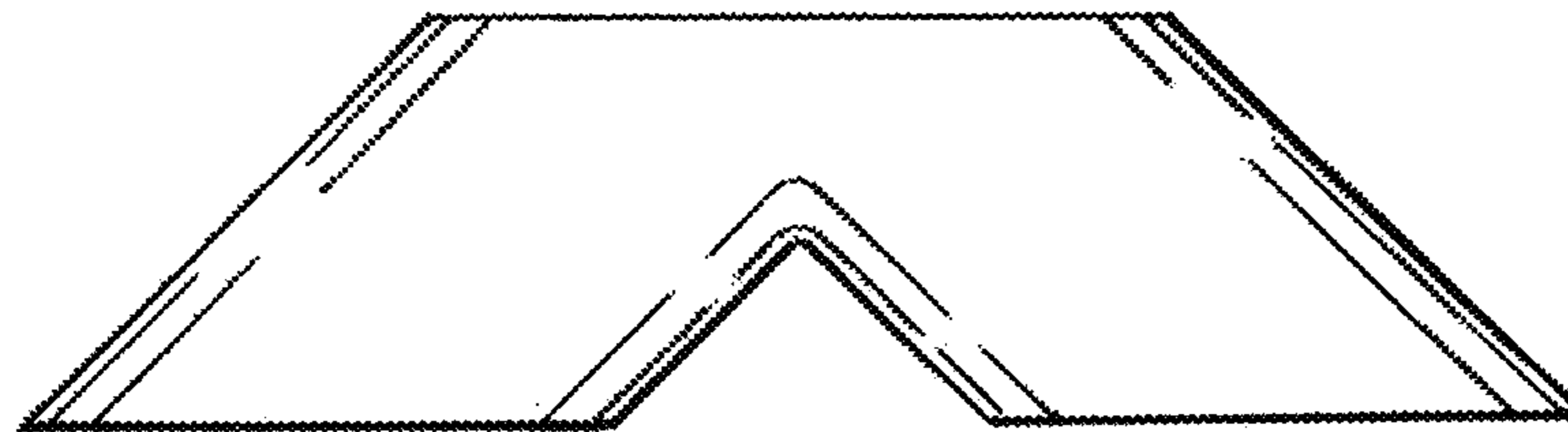


FIG. 5

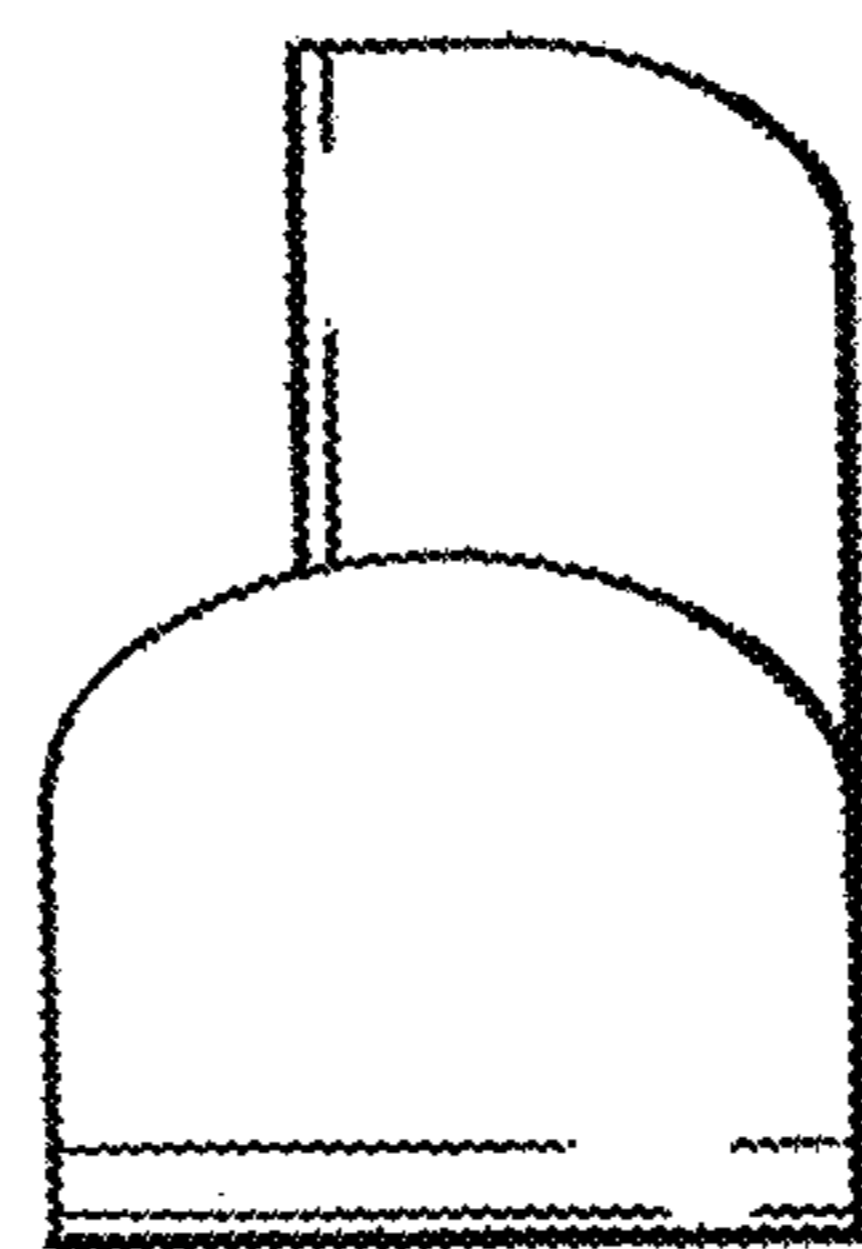


FIG. 6