



US00D882384S

(12) **United States Design Patent**
Bastian et al.

(10) **Patent No.:** **US D882,384 S**
(45) **Date of Patent:** **** Apr. 28, 2020**

(54) **MECHANICAL COUPLER**

FOREIGN PATENT DOCUMENTS

(71) Applicant: **MCS Industries, Inc.**, Easton, PA (US)

DE 102007058662 A1 6/2009
WO WO 2016/137385 A1 9/2016

(72) Inventors: **Geoffrey William Bastian**, Wind Gap, PA (US); **Michael Lee Pyle**, Sugar Grove, IL (US); **Matthew Scott Kressin**, Allentown, PA (US); **Robert Terry Coyle, Jr.**, Palmer, PA (US)

(Continued)

Primary Examiner — Susan E Krakower
Assistant Examiner — Jerry Shiuan-Hua Hsu
(74) *Attorney, Agent, or Firm* — Belles Katz LLC

(73) Assignee: **MCS INDUSTRIES, INC.**, Easton, PA (US)

(**) Term: **15 Years**

(57) **CLAIM**

The ornamental design for a mechanical coupler, as shown and described.

(21) Appl. No.: **29/661,111**

(22) Filed: **Sep. 25, 2018**

(51) **LOC (12) Cl.** **08-08**

(52) **U.S. Cl.**

USPC **D8/382**; D23/262

(58) **Field of Classification Search**

USPC D23/233, 235, 248, 249, 258, 259, 262, D23/266; D24/129; D6/300; D8/349, D8/382, 385, 387, 388, 391, 393

CPC B25B 13/5083; E06B 3/5892; F16B 12/24; F16B 21/084; F16L 37/26; F16L 37/34; F16L 37/0841; F28F 19/00; H02B 11/127

See application file for complete search history.

DESCRIPTION

FIG. 1 is a top perspective view of a mechanical coupler according to a first embodiment of the present invention; FIG. 2 is a bottom perspective view thereof; FIG. 3 is a front view thereof, the rear view being identical to the front view; FIG. 4 is a right-side view thereof, the left-side view being identical to the right-side view; FIG. 5 is a top view thereof; FIG. 6 is a bottom view thereof; FIG. 7 is a top perspective view of a mechanical coupler according to a second embodiment of the present invention; FIG. 8 is a bottom perspective view thereof; FIG. 9 is a front view thereof, the rear view being identical to the front view; FIG. 10 is a right-side view thereof, the left-side view being identical to the right-side view; FIG. 11 is a top view thereof; and, FIG. 12 is a bottom view thereof. The broken lines in the drawings illustrate portions of the mechanical coupler that form no part of the claimed design.

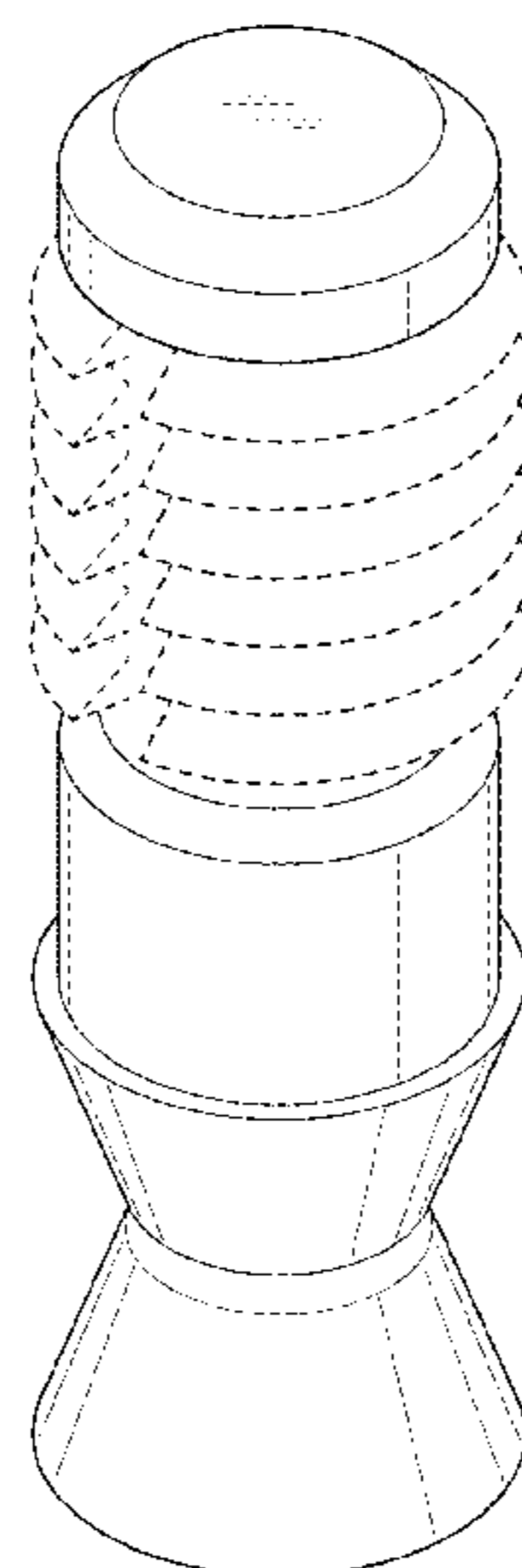
(56) **References Cited**

U.S. PATENT DOCUMENTS

4,258,464 A 3/1981 Ullman, Jr.
D333,178 S * 2/1993 Novy 285/239
5,529,424 A * 6/1996 Neubert F16B 12/24
403/297
D388,876 S * 1/1998 Sampson D24/129
5,868,537 A * 2/1999 Latal F16B 21/084
411/418
6,904,835 B2 * 6/2005 Dugan B25B 13/5083
81/442
D625,977 S * 10/2010 Watson D23/262

(Continued)

1 Claim, 10 Drawing Sheets



(56)

References Cited

U.S. PATENT DOCUMENTS

D733,265 S * 6/2015 Eriksen F28F 19/00
 D23/262
 9,414,675 B2 8/2016 Koelling et al.
 9,447,804 B2 9/2016 Andersson et al.
 9,534,623 B2 1/2017 Anderson et al.
 9,677,589 B2 6/2017 Koelling
 9,771,964 B2 9/2017 Leveen et al.
 9,810,253 B2 11/2017 Koelling et al.
 D835,244 S * 12/2018 Khubani D23/262
 10,211,608 B2 * 2/2019 Weeks H02B 11/127
 D853,535 S * 7/2019 Norton D23/266
 D859,134 S * 9/2019 Iacono D8/382
 2007/0025811 A1 * 2/2007 Wilhelm F16L 37/34
 403/300
 2011/0204622 A1 * 8/2011 Lewis F16L 37/0841
 285/313
 2012/0137624 A1 * 6/2012 Sibbett E06B 3/5892
 52/656.5

2015/0050081 A1 2/2015 Andersson et al.
 2015/0147113 A1 5/2015 Crabtree, II
 2015/0219136 A1 8/2015 Koelling
 2015/0260325 A1 * 9/2015 Quick F16L 37/26
 285/326
 2015/0285284 A1 10/2015 Koelling et al.
 2015/0300393 A1 10/2015 Leveen et al.
 2015/0342349 A1 12/2015 Koelling et al.
 2017/0023043 A1 1/2017 Koelling et al.
 2017/0297271 A1 10/2017 Dizdar et al.
 2018/0017091 A1 1/2018 Schon
 2018/0031019 A1 2/2018 Sjostedt et al.
 2018/0051734 A1 2/2018 Koelling et al.
 2018/0098627 A1 4/2018 Savage
 2018/0135799 A1 5/2018 Dang

FOREIGN PATENT DOCUMENTS

WO WO 2017/105324 A1 6/2017
 WO WO 2017/160202 A1 9/2017

* cited by examiner

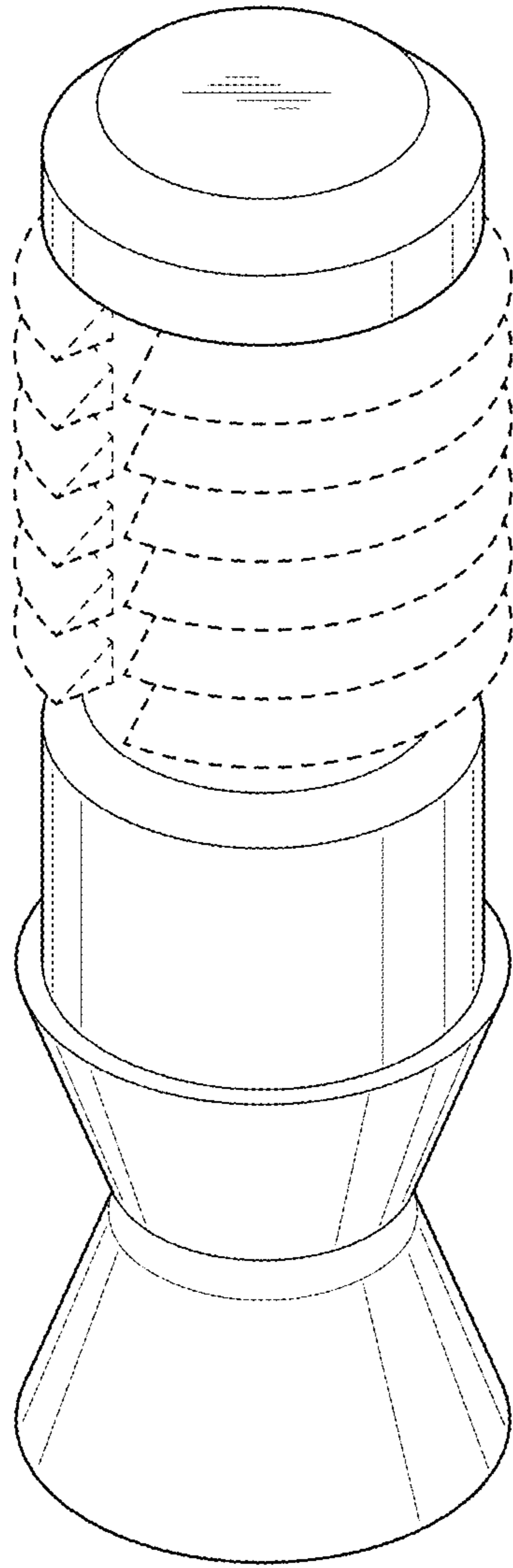


FIG. 1

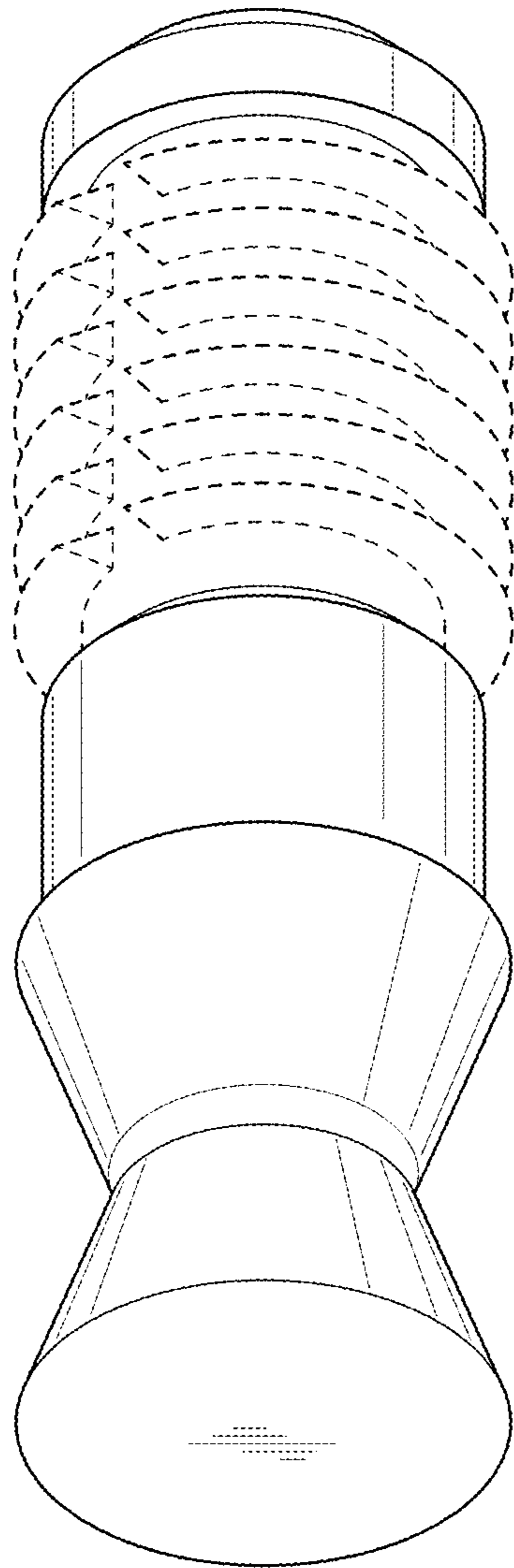


FIG. 2

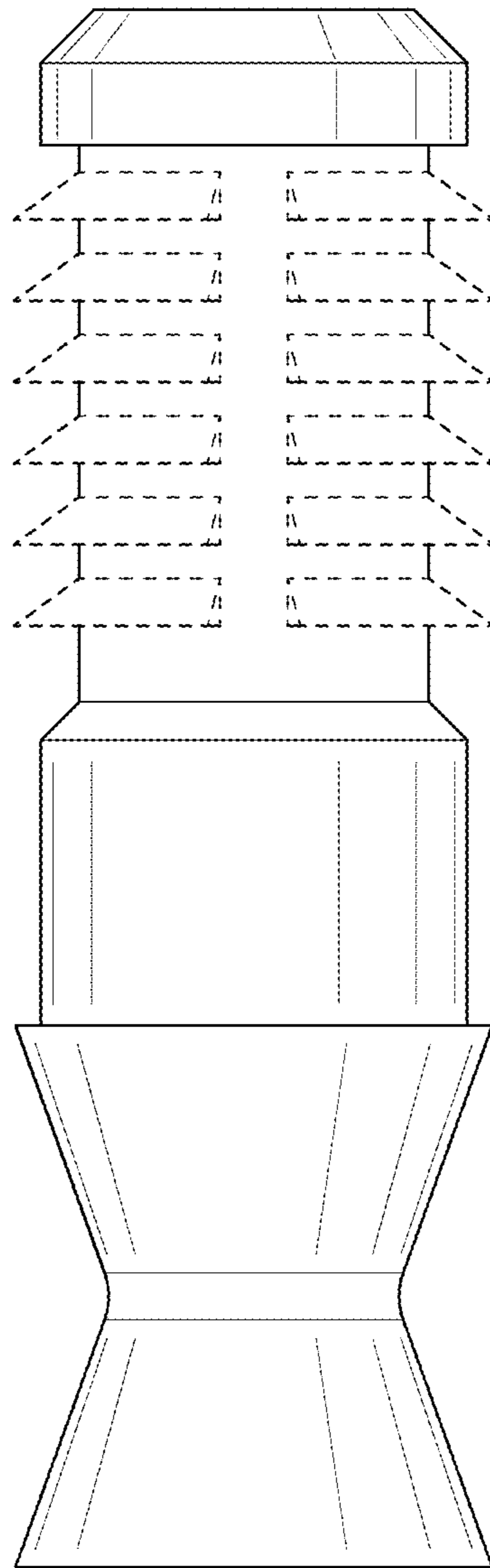


FIG. 3

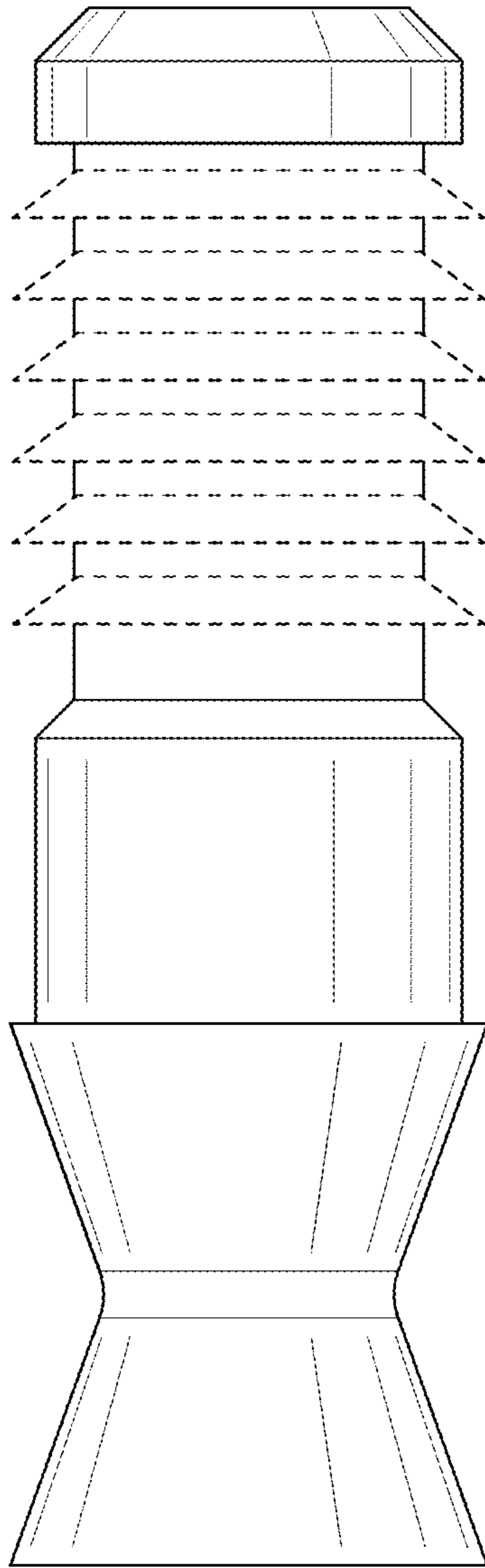


FIG. 4

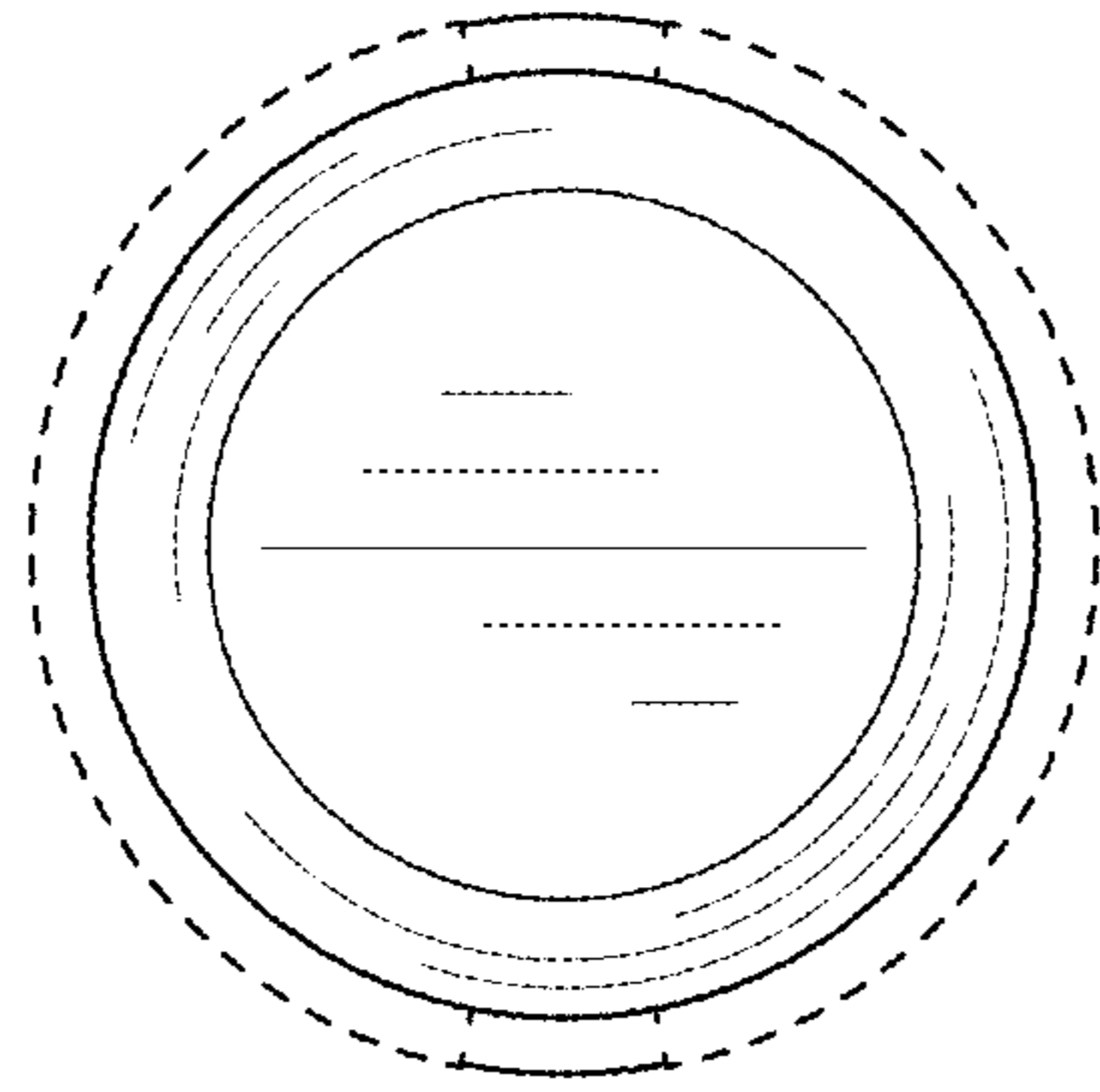


FIG. 5

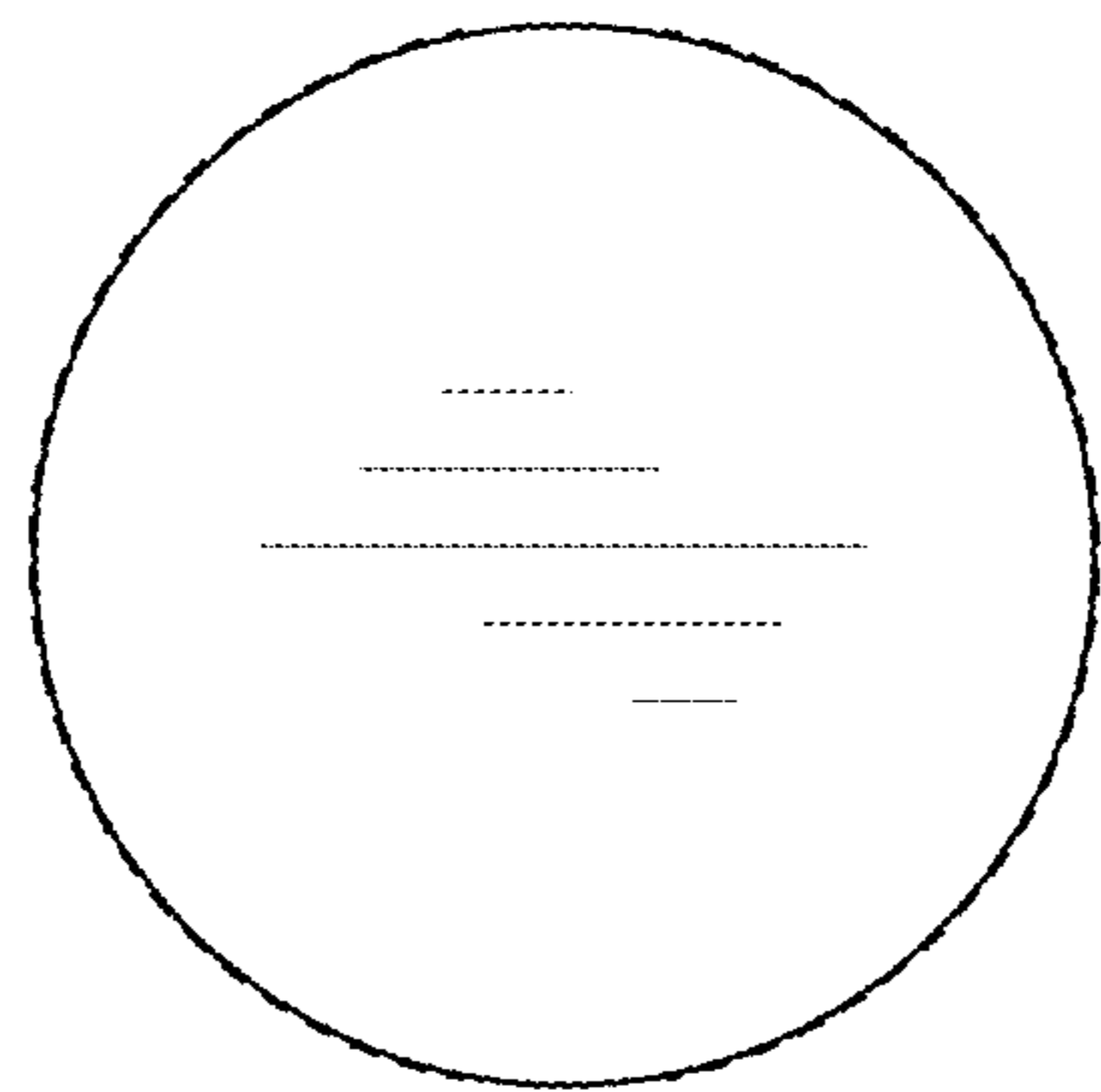


FIG. 6

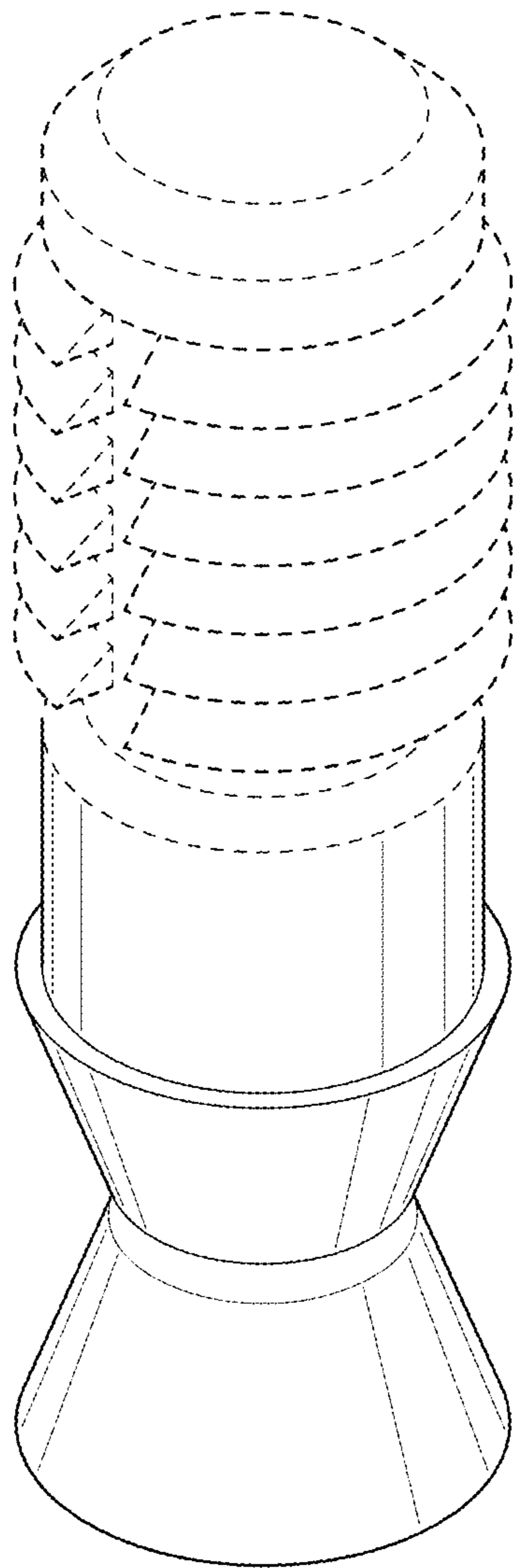


FIG. 7

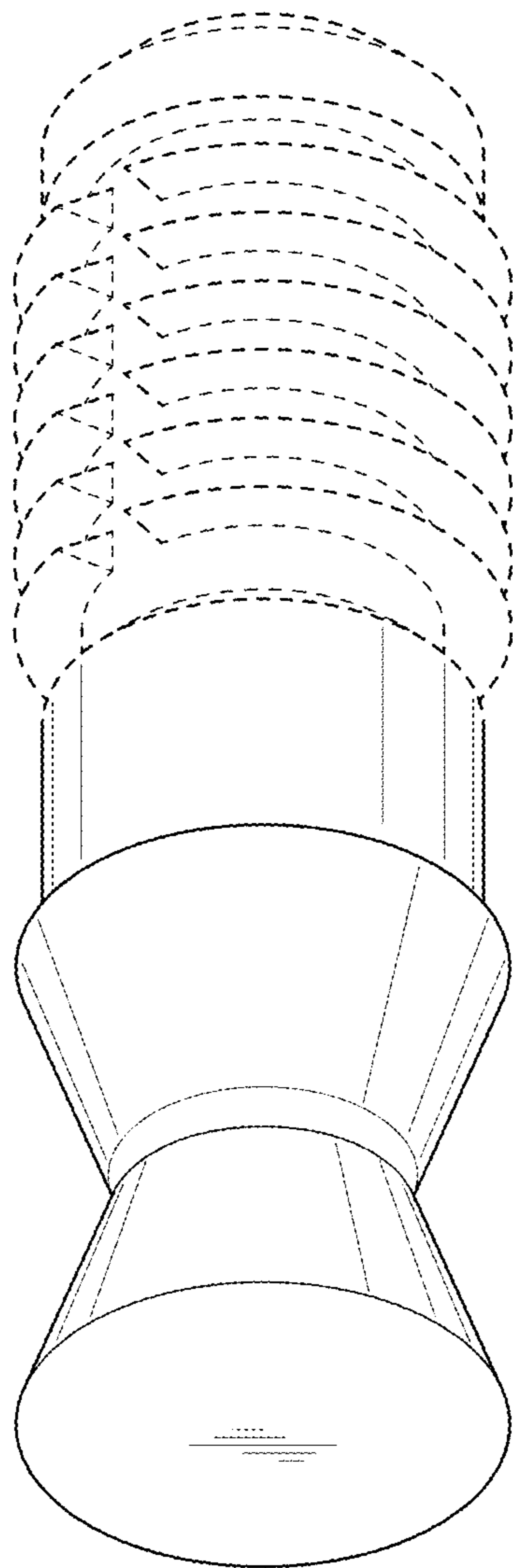


FIG. 8

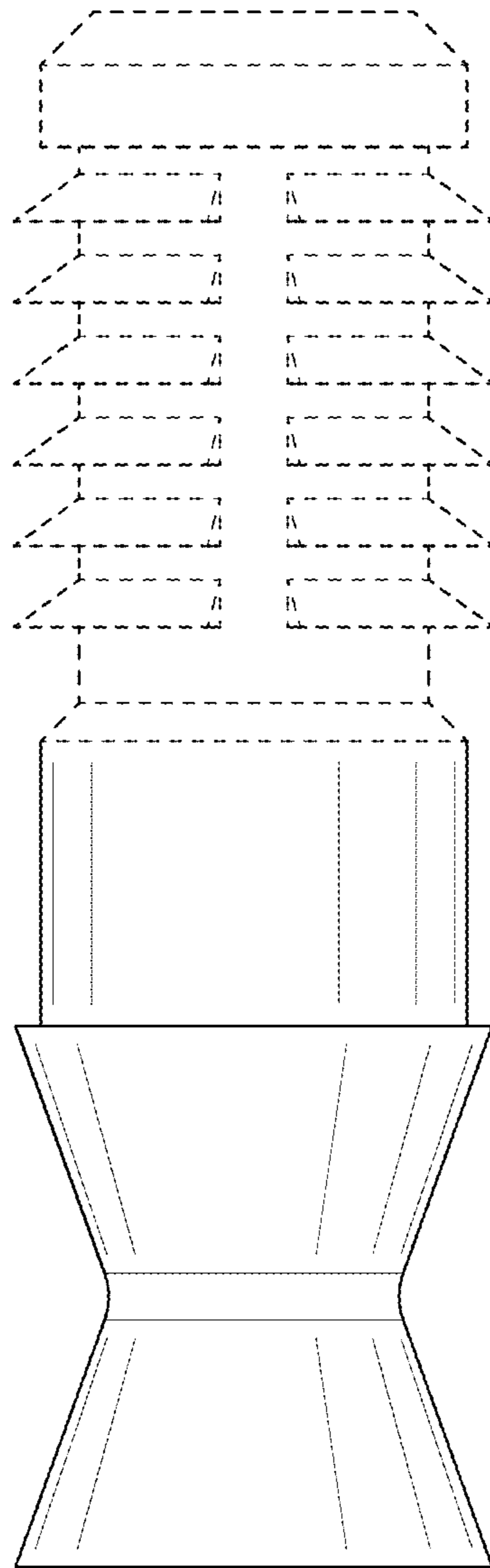


FIG. 9

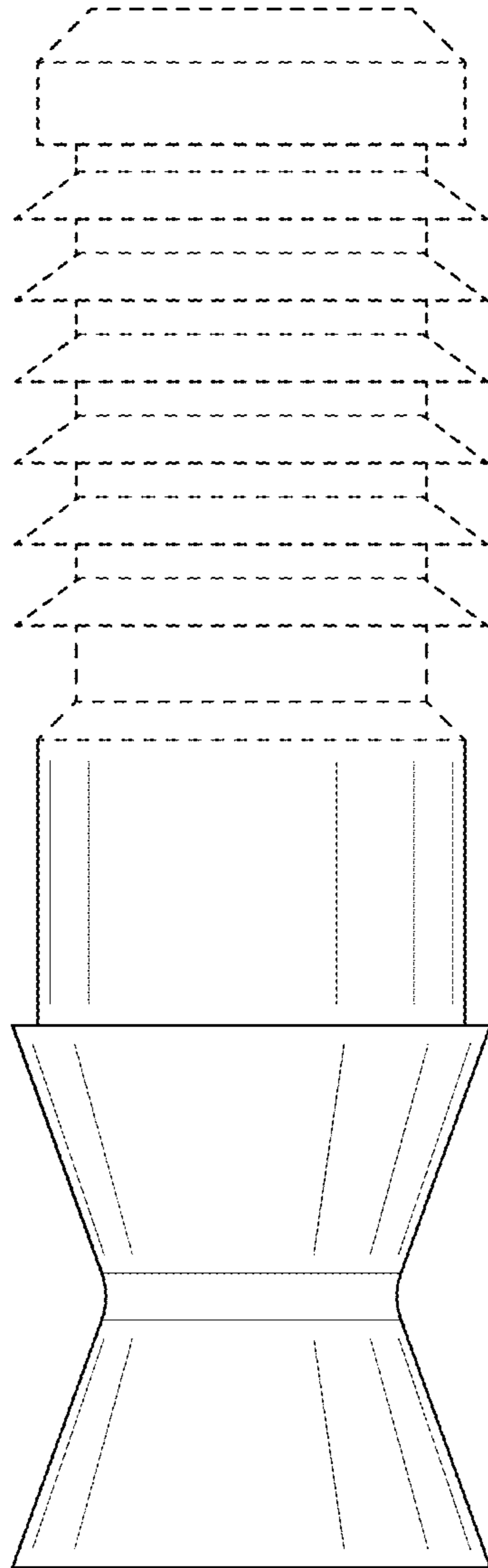


FIG. 10

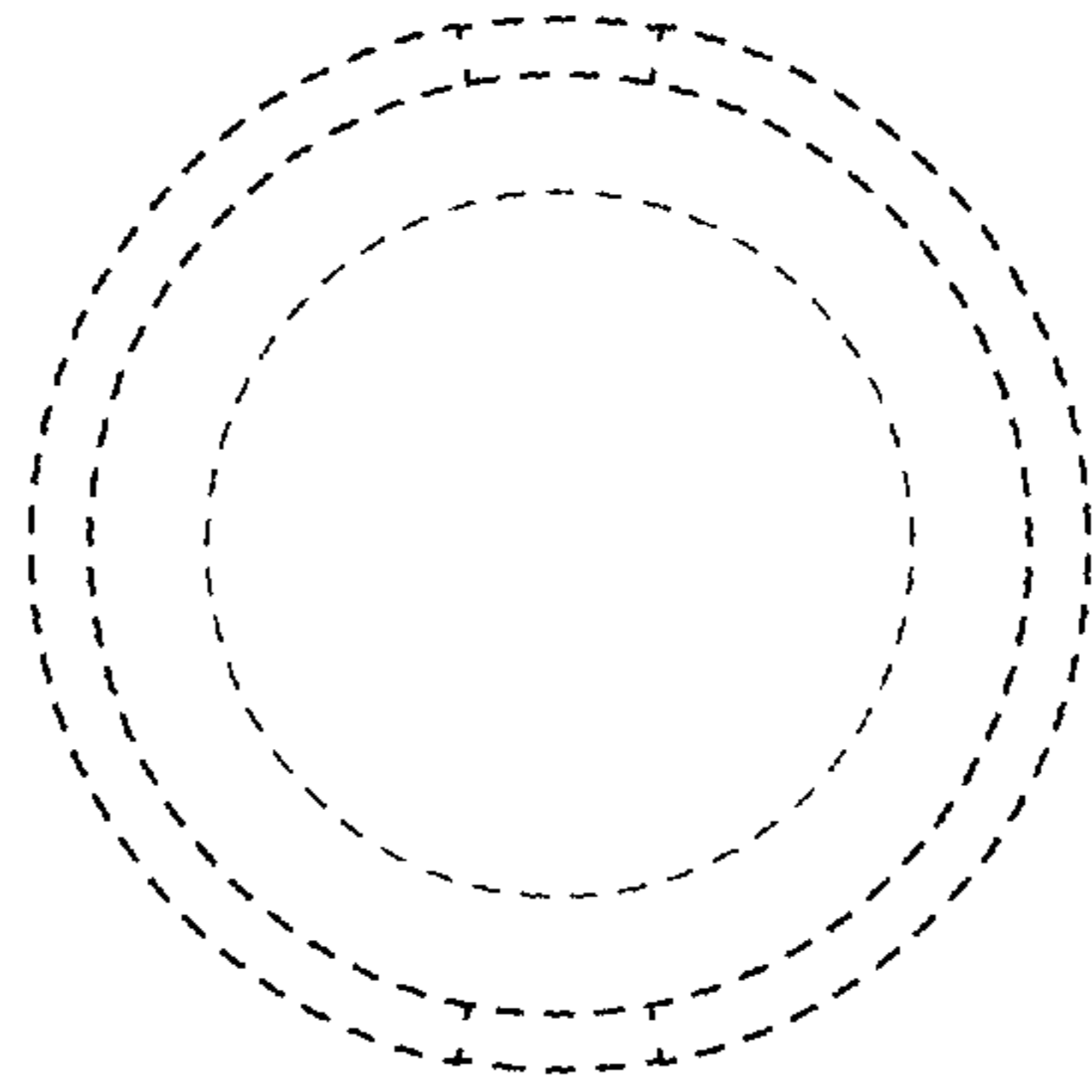


FIG. 11

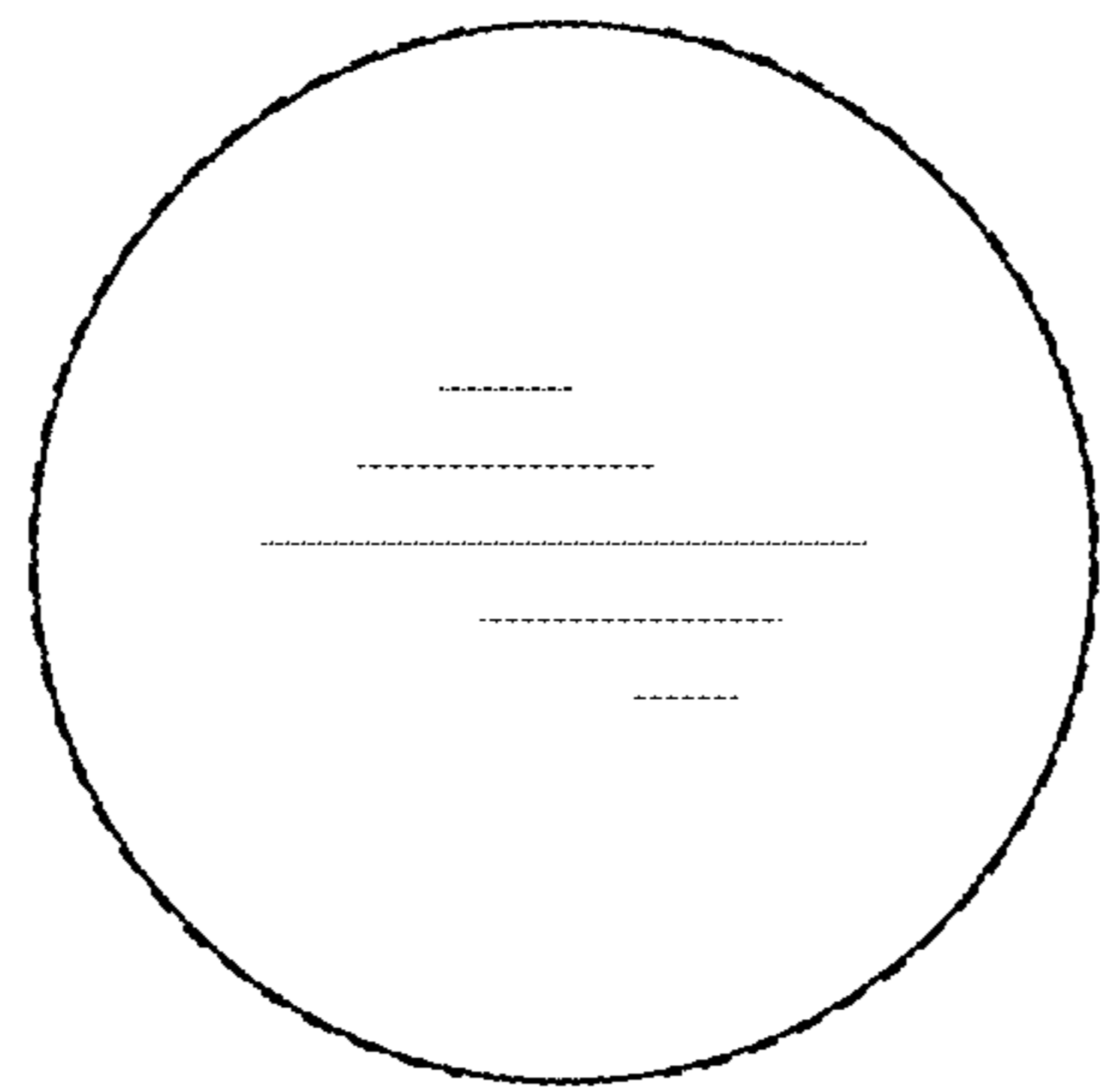


FIG. 12