



US00D882382S

(12) **United States Design Patent**
Daniels

(10) **Patent No.:** **US D882,382 S**
(45) **Date of Patent:** **** Apr. 28, 2020**

(54) **FASTENER FOR A CONVEYOR BELT**

FOREIGN PATENT DOCUMENTS

(71) Applicant: **Flexible Steel Lacing Company,**
Downers Grove, IL (US)

AU 125500 7/1947
CN 2199365 Y 5/1995

(Continued)

(72) Inventor: **William J. Daniels,** Orland Park, IL
(US)

OTHER PUBLICATIONS

(73) Assignee: **Flexible Steel Lacing Company,**
Downers Grove, IL (US)

U.S. Appl. No. 15/822,606, filed Nov. 27, 2017, William J. Daniels.
(Continued)

(**) Term: **15 Years**

Primary Examiner — Sandra S Snapp

Assistant Examiner — Ieisha N Price

(21) Appl. No.: **29/626,966**

(74) *Attorney, Agent, or Firm* — Fitch, Even, Tabin &
Flannery LLP

(22) Filed: **Nov. 21, 2017**

(57) **CLAIM**

The ornamental design for a fastener for a conveyor belt, as
shown and described.

Related U.S. Application Data

(62) Division of application No. 29/499,693, filed on Aug.
18, 2014, now Pat. No. Des. 808,253.

DESCRIPTION

(51) **LOC (12) Cl.** **08-08**

(52) **U.S. Cl.**
USPC **D8/382**

(58) **Field of Classification Search**
USPC D8/323, 325, 349, 354, 356, 382, 383,
D8/394, 395, 499; D13/199; D15/199
CPC F16G 3/04; F16G 3/02; F16G 3/00; F16G
3/16; Y10T 24/16; Y10T 24/162; Y10T
24/1608; Y10T 24/1632; Y10T 24/1636;
Y10T 24/1616; Y10T 24/1644; Y10T
24/1672; Y10T 24/1648
See application file for complete search history.

FIG. 1 is a front perspective view of a fastener for a
conveyor belt, showing my new design;
FIG. 2 is a right side elevational view thereof;
FIG. 3 is a left side elevational view thereof;
FIG. 4 is a top plan view thereof;
FIG. 5 is a bottom plan view thereof;
FIG. 6 is a front elevational view thereof;
FIG. 7 is a rear elevational view thereof; and,
FIG. 8 is an environmental rear perspective view of FIG. 1
showing the fastener for a conveyor belt interconnected with
another fastener by a wire.

(56) **References Cited**

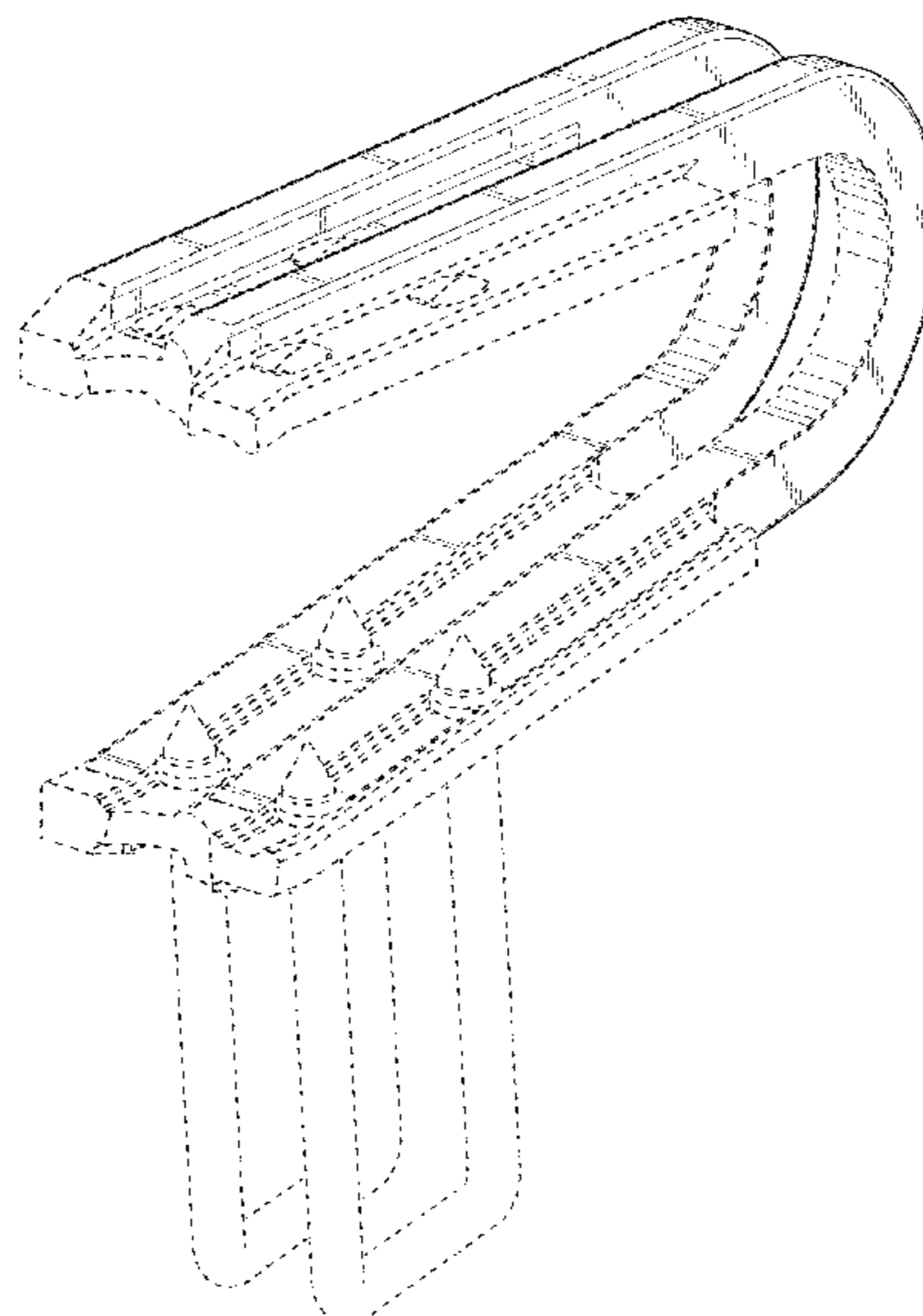
U.S. PATENT DOCUMENTS

2,477,855 A 8/1949 Beach
3,327,358 A * 6/1967 Schick F16G 3/02
24/33 R

The broken lines showing of the second fastener and wire,
in FIG. 8, illustrates the environment of the claimed design
and forms no part thereof. The remaining broken lines in the
drawings illustrate portions of a fastener for a conveyor belt
and form no part of the claimed design. The dot-dash-dot
broken lines in these drawings define the bounds of the
claimed design and form no part thereof.

3,368,417 A 2/1968 Jenkins
(Continued)

1 Claim, 6 Drawing Sheets



(56)

References Cited

FOREIGN PATENT DOCUMENTS

U.S. PATENT DOCUMENTS

3,962,754 A 6/1976 Stolz
 4,023,239 A 5/1977 Stolz
 4,050,138 A 9/1977 Stolz
 4,060,877 A 12/1977 Schick
 4,144,628 A 3/1979 Schick
 4,151,634 A 5/1979 Stolz
 4,212,094 A 7/1980 Pray
 4,315,349 A 2/1982 Stolz
 4,333,217 A 6/1982 Pray
 4,538,755 A 9/1985 Schick
 4,582,505 A 4/1986 Stolz
 4,597,137 A * 7/1986 Droppleman F16G 3/04
 4,620,657 A 11/1986 Gladding
 4,653,156 A 3/1987 Stolz
 4,671,403 A 6/1987 Schick
 4,688,711 A 8/1987 Gladding et al.
 4,858,280 A 8/1989 Schick
 4,937,921 A 7/1990 Musil
 4,942,645 A 7/1990 Musil
 4,996,750 A 3/1991 Musil
 5,025,968 A 6/1991 Nasiatka
 5,095,590 A 3/1992 Schick
 5,170,924 A 12/1992 Musil
 5,182,933 A 2/1993 Schick
 5,236,079 A 8/1993 Herold
 5,341,545 A 8/1994 Herold
 5,368,214 A 11/1994 Schick
 5,539,959 A 7/1996 Schick
 5,544,801 A 8/1996 Schick
 5,553,359 A 9/1996 Herold
 5,644,836 A 7/1997 Schick
 5,645,159 A 7/1997 Luginbuhl
 5,669,114 A 9/1997 Jakob
 5,881,863 A 3/1999 Borner
 5,884,369 A 3/1999 Schick
 5,890,266 A 4/1999 Herold
 6,053,308 A 4/2000 Vogrig
 6,085,897 A 7/2000 Schick
 6,196,378 B1 3/2001 Borner
 6,216,851 B1 4/2001 Mitas
 6,311,393 B1 11/2001 Garner
 D513,964 S 1/2006 Overthun
 D539,291 S 3/2007 Li
 D572,119 S 7/2008 Wells
 9,556,930 B2 * 1/2017 Daniels F16G 3/02
 9,829,067 B2 11/2017 Daniels
 D808,253 S 1/2018 Daniels
 2002/0040841 A1 4/2002 Winkelman
 2002/0139644 A1 10/2002 Herold
 2010/0200374 A1 8/2010 Jakob
 2012/0090965 A1 4/2012 Jakob
 2012/0228170 A1 9/2012 Richardson
 2013/0167356 A1 7/2013 Hagie
 2013/0327112 A1 12/2013 Charre
 2014/0182089 A1 7/2014 Jakob
 2016/0047438 A1 2/2016 Daniels
 2017/0138438 A1 * 5/2017 Daniels F16G 3/02
 2018/0100558 A1 * 4/2018 Jakob F16G 3/04

CN 2596103 Y 12/2003
 CN 201133441 Y 10/2008
 CN 201434047 Y 3/2010
 CN 101270795 B 11/2010
 CN 102116361 A 7/2011
 CN 205423686 8/2016
 CN 206092811 4/2017
 DE 4012877 A1 10/1991
 DE 4431835 C1 2/1996
 FR 571613 A 2/1924
 GB 1603544 A 11/1981
 GB 2146730 A 4/1985
 GB 2202605 A 9/1988
 WO 2012072274 A1 6/2012
 WO 2012103961 A1 8/2012
 WO 2016028586 2/2016

OTHER PUBLICATIONS

U.S. Appl. No. 62/038,669, filed Aug. 18, 2014, William J. Daniels.
 Charter Wire, Charter Wire brochure, publicly available more than one year before Aug. 18, 2014, 5 pages.
 Charter Wire, Near Net Shapes brochure, publicly available more than one year before Aug. 18, 2014, 8 pages.
 Clipper-MATO Belt Fastening Systems for Mining Operations, publicly available more than one year before Aug. 18, 2014, 6 pages.
 Goro, Titan brochure, publicly available more than one year before Aug. 18, 2014, 6 pages.
 Goro, Titan Conveyor Belt Fastening System, 1980, 5 pages.
 Goro, Titan H brochure, publicly available more than one year before Aug. 18, 2014, 12 pages.
 MATO Mining Service, Mato Hingeless Belt Fastening System, publicly available more than one year before Aug. 18, 2014, 4 pages.
 MATO, Belt Lacing-Systems brochure, publicly available more than one year before Aug. 18, 2014, 20 pages.
 MATO, Hammer System MH30, publicly available more than one year before Aug. 18, 2014, 6 pages.
 MATO, Standard System S30 brochure, publicly available more than one year before Aug. 18, 2014, 4 pages.
 ML T Fasteners, publicly available more than one year before Aug. 18, 2014, 4 pages.
 Scandura MATO, Belt Fasteners and Ancillary Conveyor Equipment brochure, publicly available more than one year before Aug. 18, 2014, 4 pages.
 Design U.S. Appl. No. 29/499,693, titled Portion of a Fastener for Conveyor Belts, filed Aug. 18, 2014, 29 pages.
 Website, Goro, Record V6 and Operating procedure, publicly available more than one year before Aug. 18, 2014, 3 pages.
 Website, Goro, Titan Staggered and Titan 05, publicly available more than one year before Aug. 18, 2014, 2 pages.
 Extended European search report issued in European Patent Application No. 15833143.9, dated Mar. 20, 2018, 8 pages.

* cited by examiner

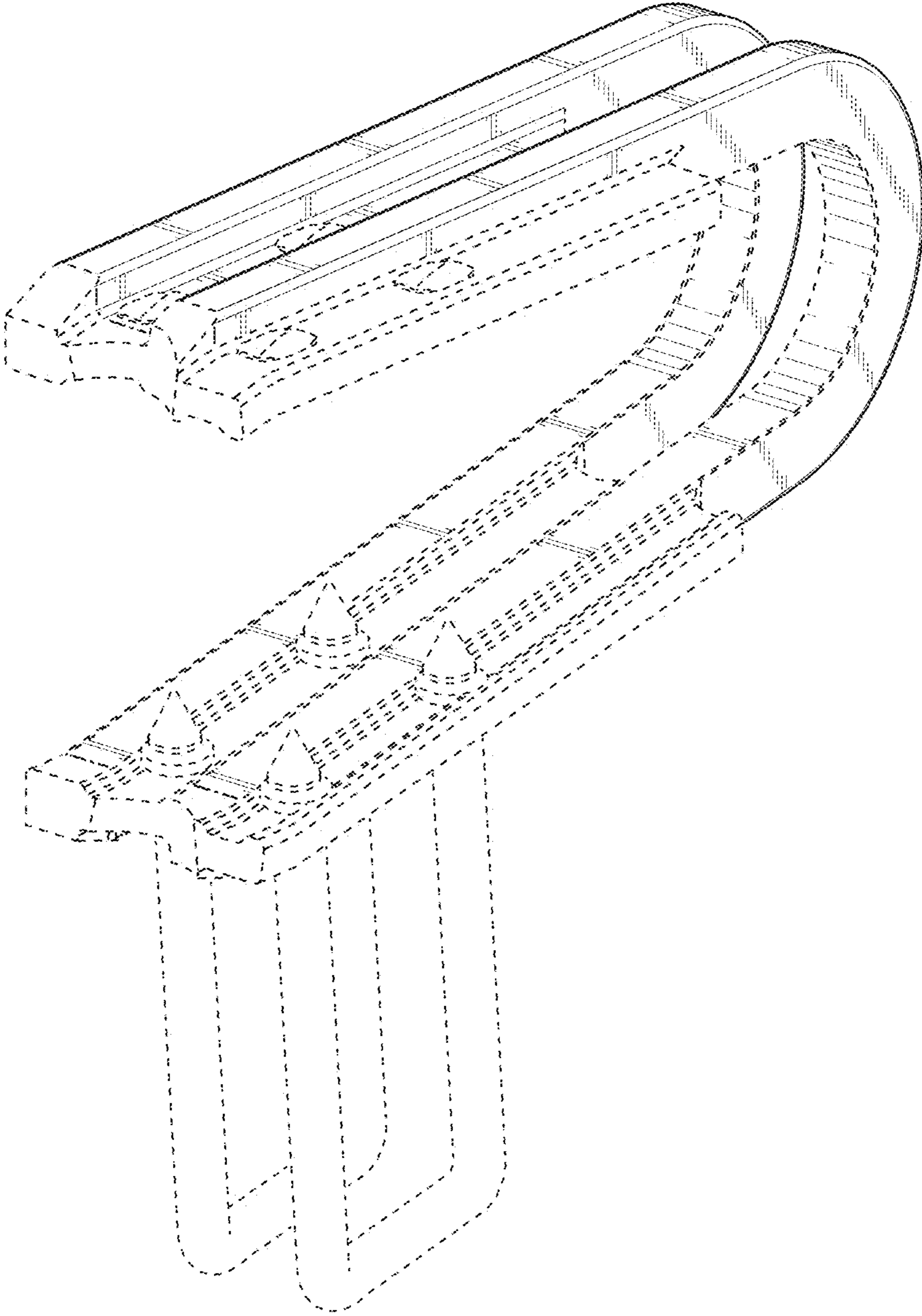


FIG. 1

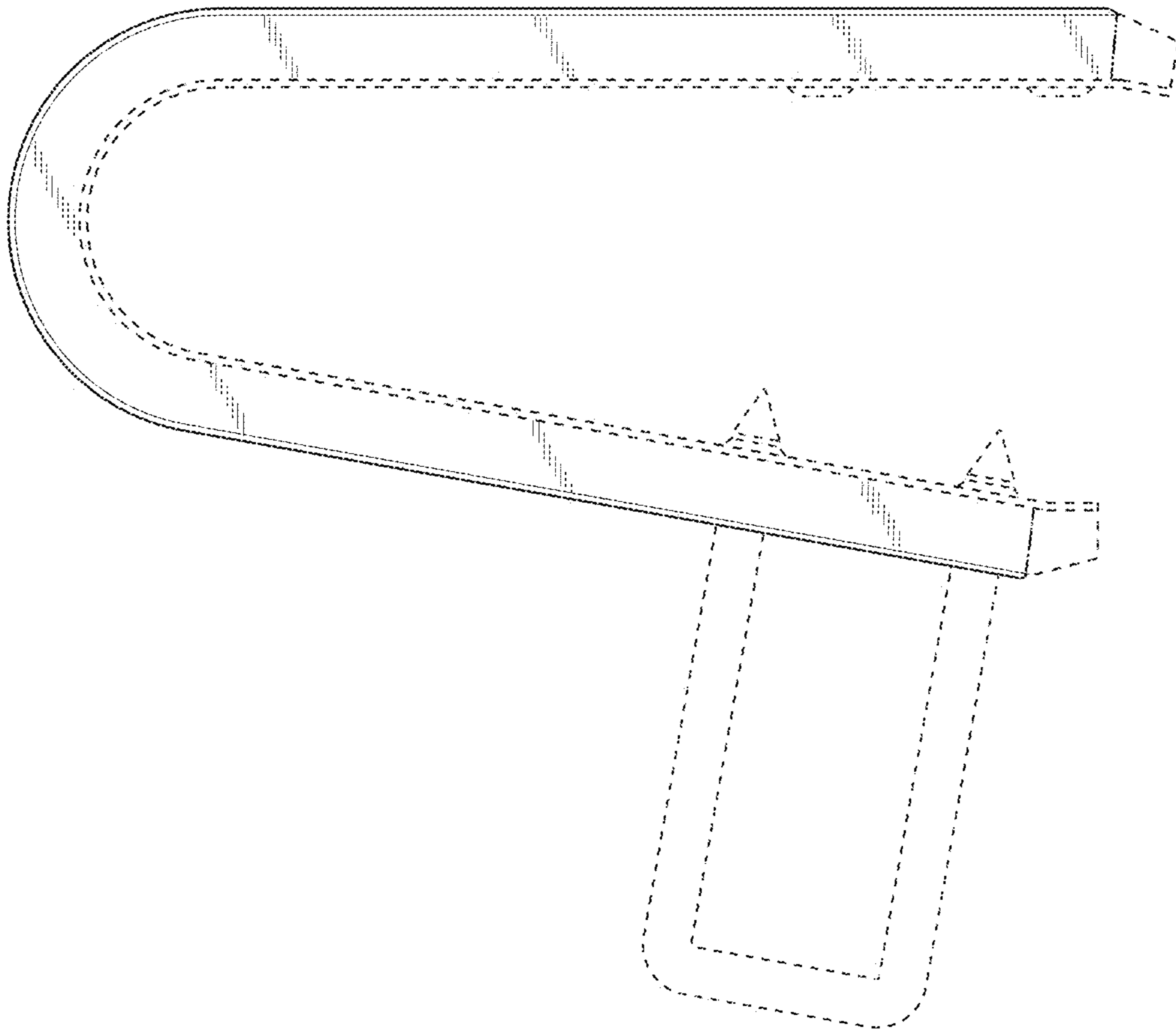


FIG. 2

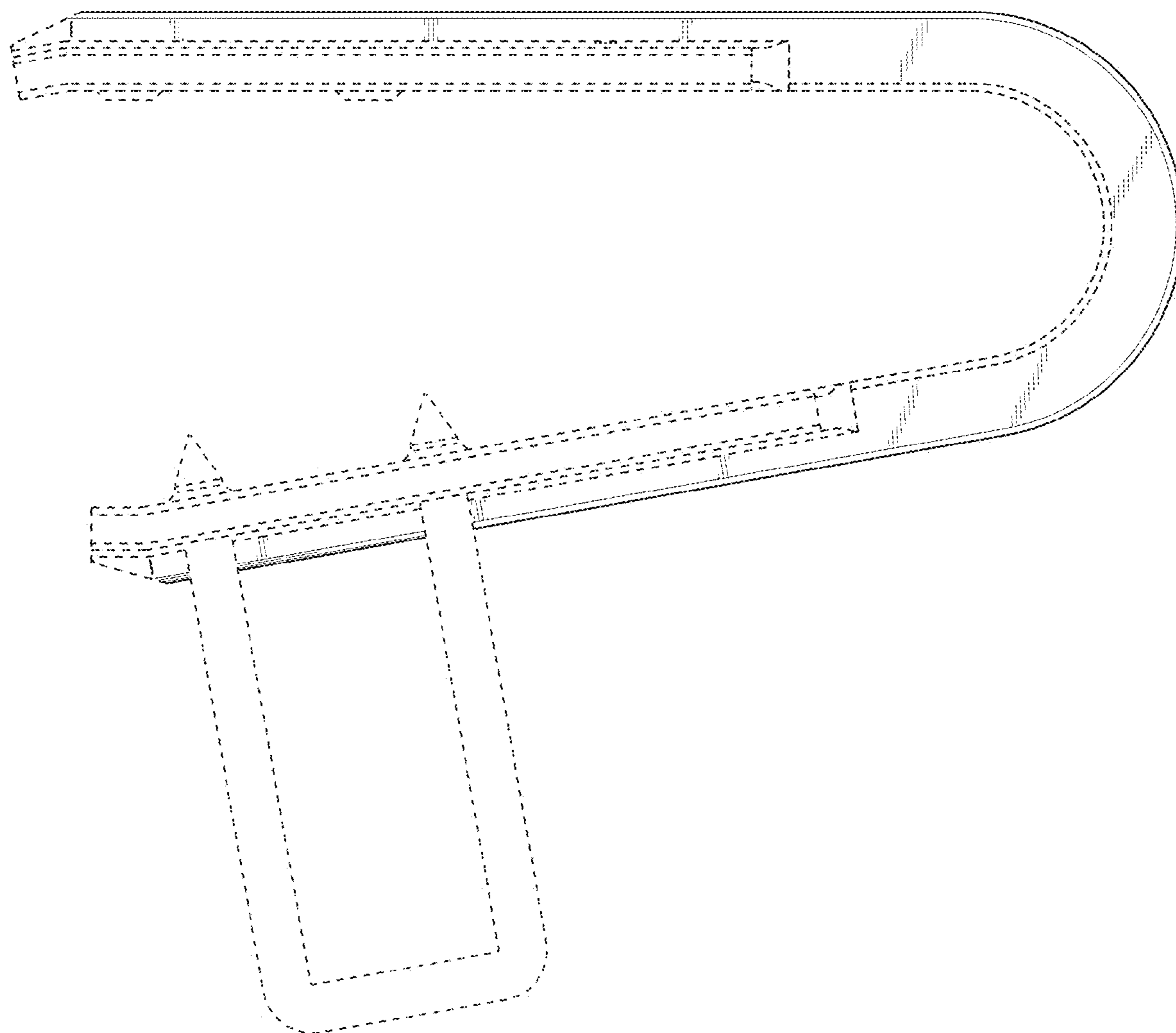


FIG. 3

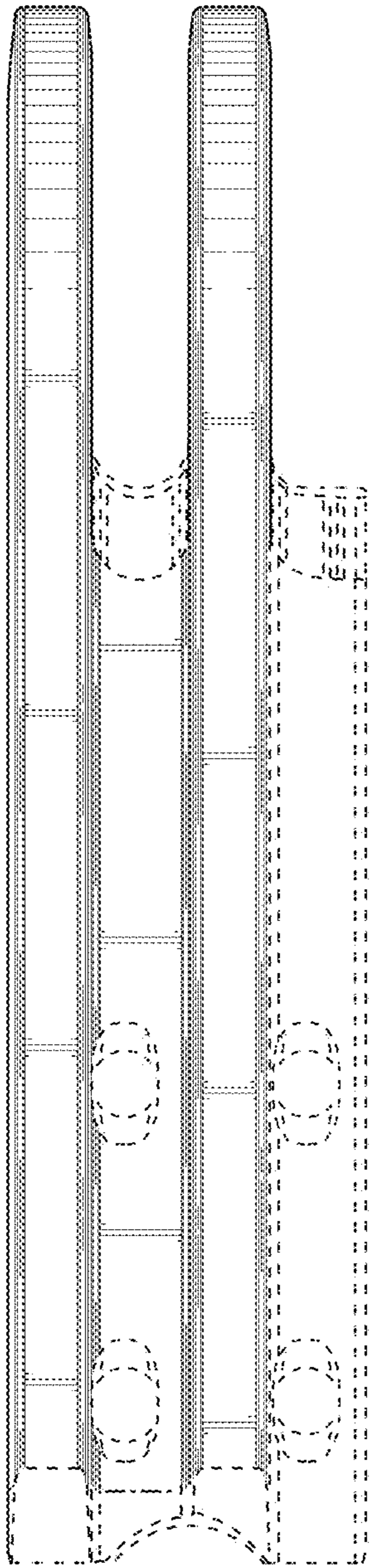


FIG. 4

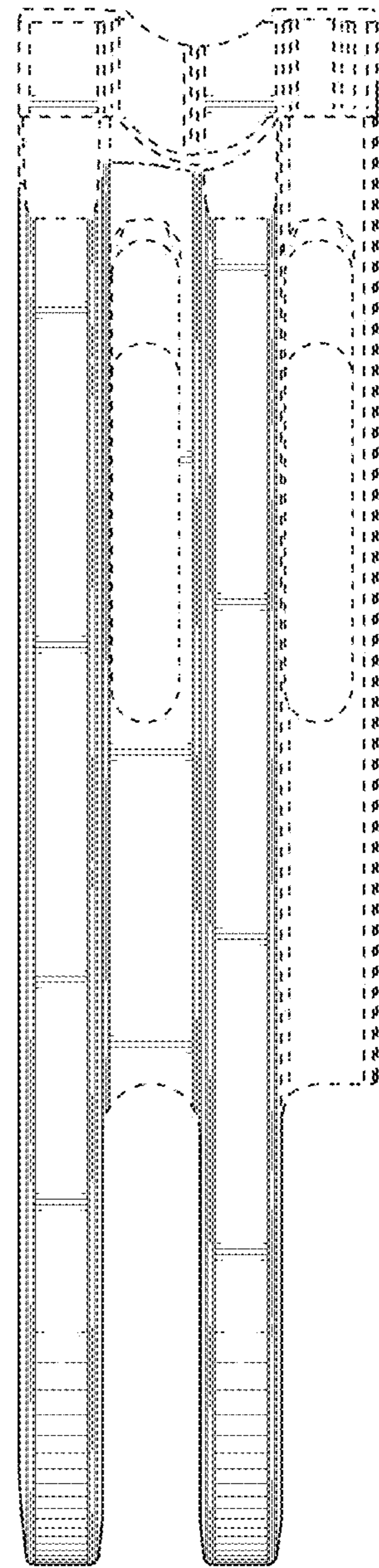


FIG. 5

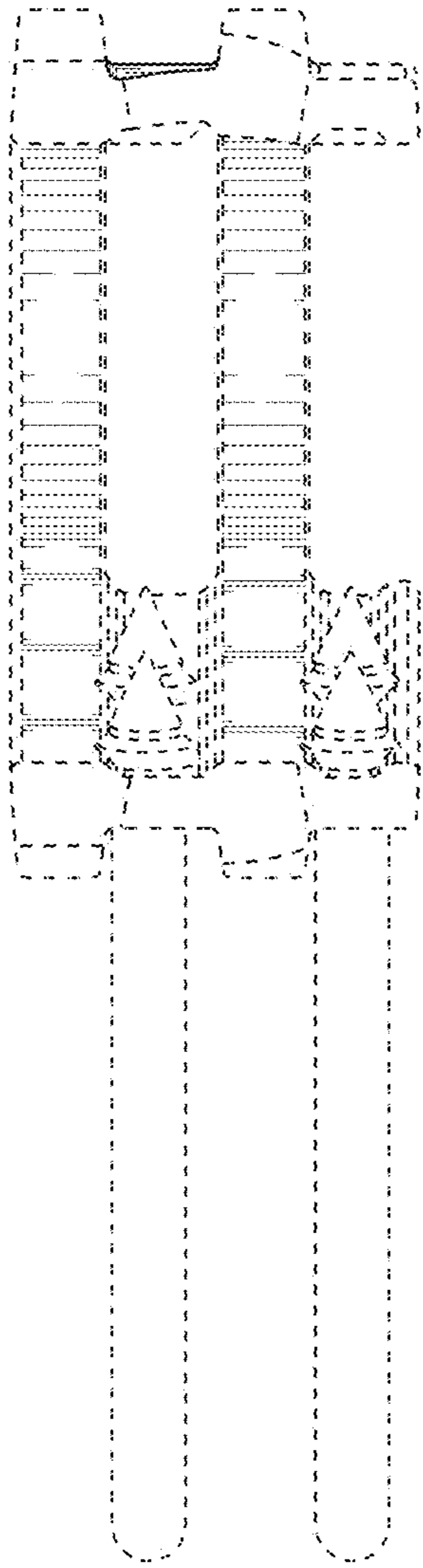


FIG. 6

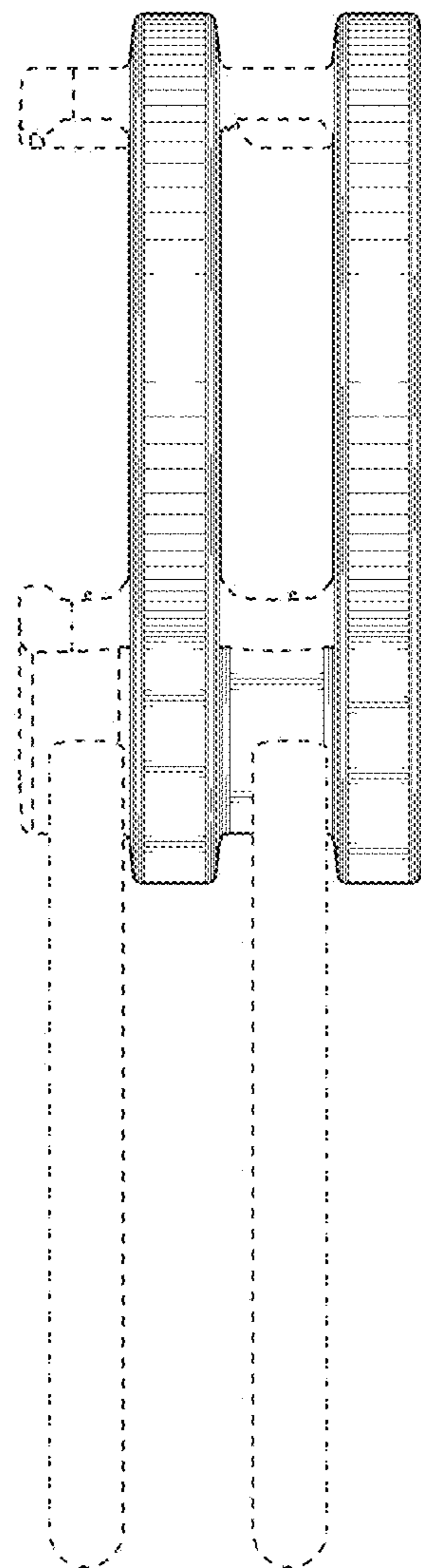


FIG. 7

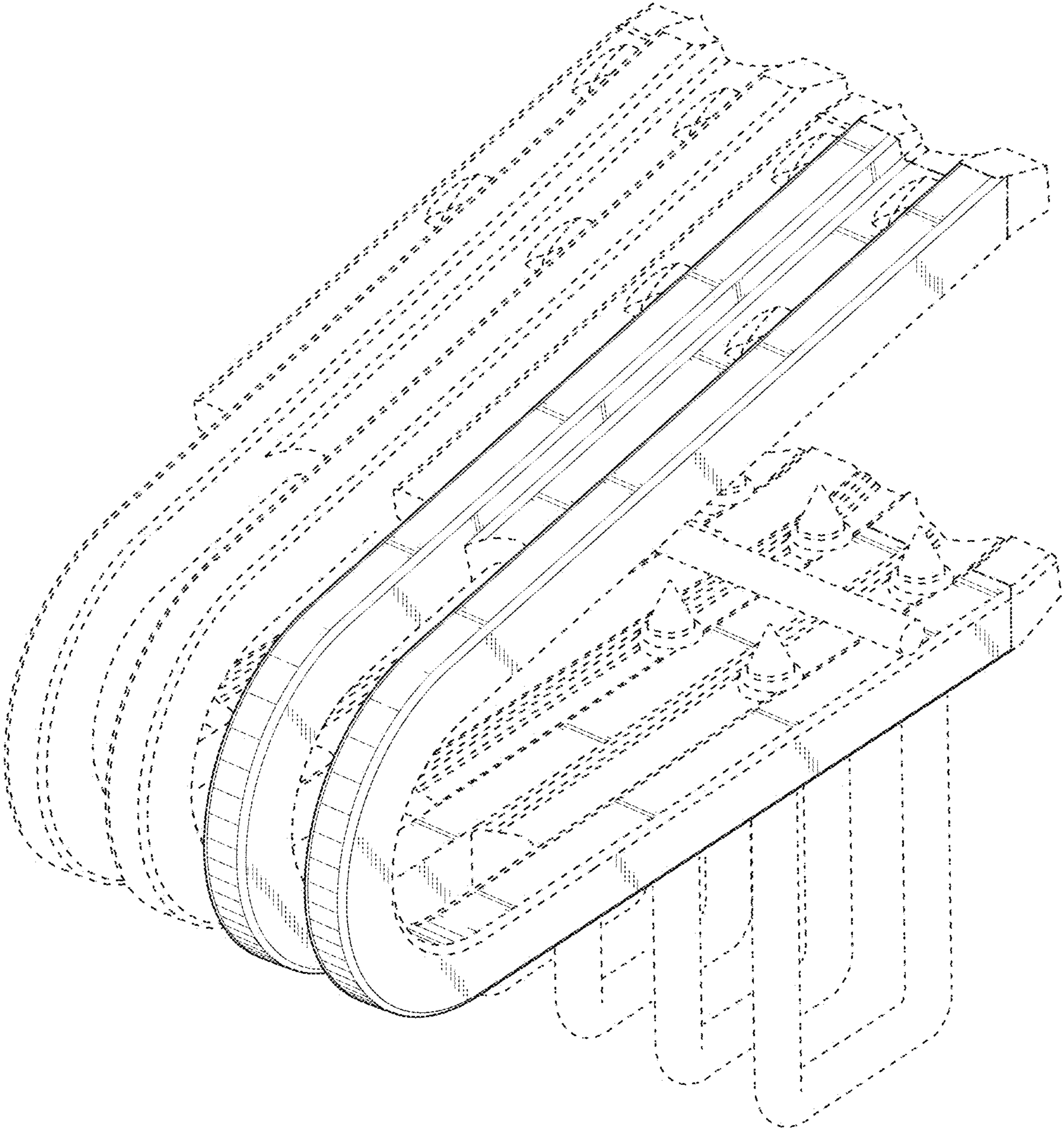


FIG. 8