



US00D882381S

(12) **United States Design Patent** (10) **Patent No.:** **US D882,381 S**
Bartos (45) **Date of Patent:** **** Apr. 28, 2020**

(54) **PIPE SECURING DEVICE**
(71) Applicant: **Tomas Bartos**, Elmhurst, IL (US)
(72) Inventor: **Tomas Bartos**, Elmhurst, IL (US)
(73) Assignee: **HAP TECHNOLOGIES CO**,
Elmhurst, IL (US)
(**) Term: **15 Years**
(21) Appl. No.: **29/636,519**
(22) Filed: **Feb. 8, 2018**
(51) **LOC (12) Cl.** **08-05**
(52) **U.S. Cl.**
USPC **D8/380**
(58) **Field of Classification Search**
USPC D8/343, 354, 356, 349, 18, 105, 368,
D8/377, 380, 381, 367, 307; D6/580;
248/49, 75, 137, 138, 62, 63; 292/261,
292/281, 298, 307 B, DIG. 65
CPC .. A47B 96/067; F16L 3/02; F16L 1/19; F16L
1/18; F16L 3/00; F16M 13/02; A45F
5/021; A45C 13/03; E05B 67/38; E05B
17/002; E05B 67/04
See application file for complete search history.

(56) **References Cited**
U.S. PATENT DOCUMENTS
810,004 A * 1/1906 Tabler F16L 3/13
248/61
5,385,320 A * 1/1995 Ismert F16L 3/10
248/62
D356,725 S * 3/1995 McMichael D6/580
D380,144 S * 6/1997 Lew D8/380
D392,553 S * 3/1998 Dill D8/380
5,845,882 A * 12/1998 Hodges E21F 17/02
248/59
5,848,770 A * 12/1998 Oliver E21F 17/02
248/58

7,252,274 B1 * 8/2007 Brannen A47J 45/02
248/301
D746,127 S * 12/2015 Cohen D8/367
D793,212 S * 8/2017 Thompson D8/380
9,970,586 B2 * 5/2018 Cetnar F16L 57/00
10,228,080 B2 * 3/2019 Zvak F16L 3/1066
D865,495 S * 11/2019 Bahler D8/367
2013/0168506 A1 * 7/2013 Heath F16L 3/1091
248/62
2014/0231606 A1 * 8/2014 Sobb A47F 5/0823
248/224.8
2015/0060613 A1 * 3/2015 Lim F16L 3/10
248/75
2015/0086273 A1 * 3/2015 Forse F16L 3/1066
405/157
2015/0090845 A1 * 4/2015 Trelford F16M 13/022
248/68.1
2015/0150389 A1 * 6/2015 Nilsson B25H 3/04
248/220.42

(Continued)

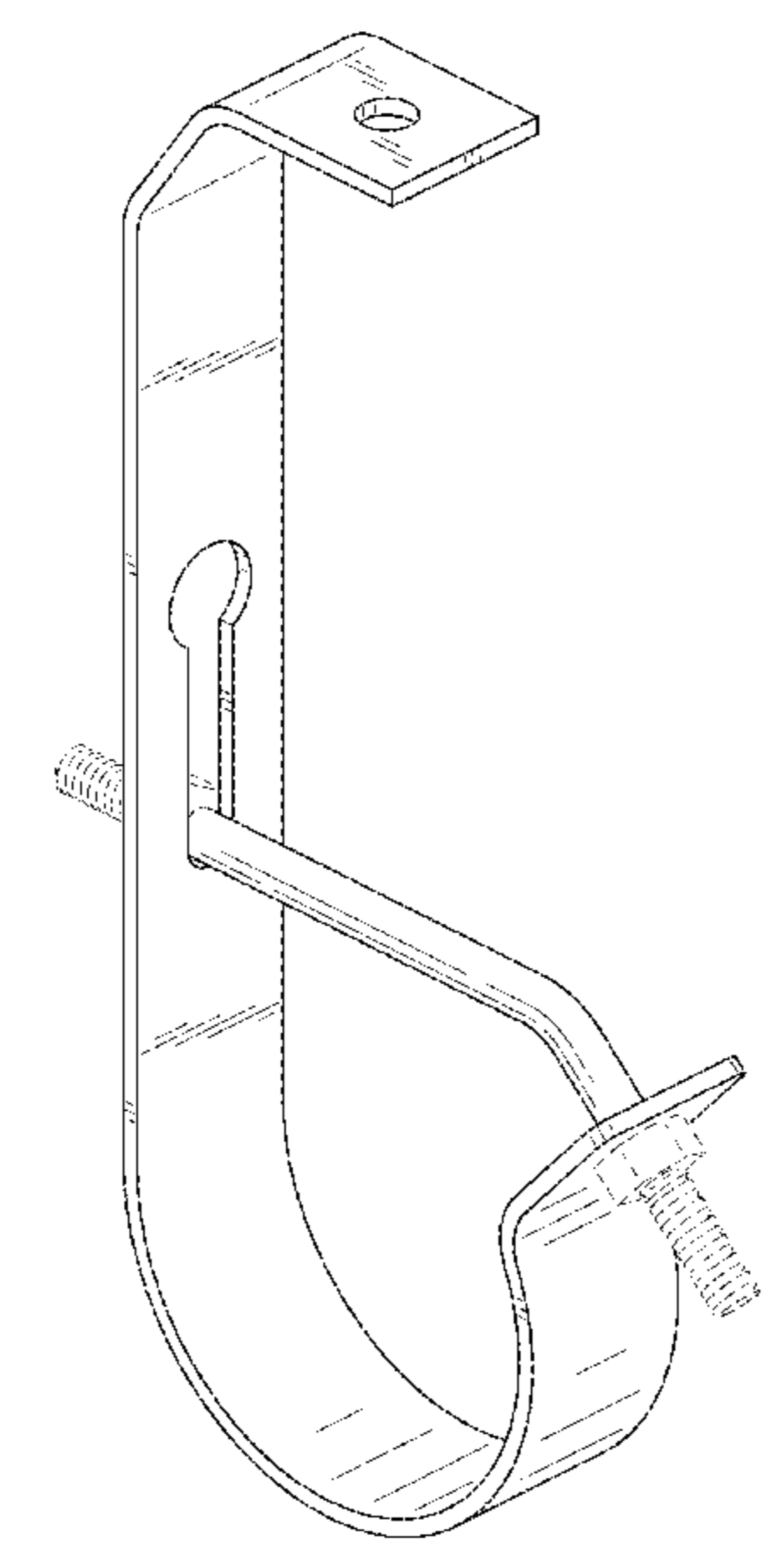
Primary Examiner — Rosemary K Tarcza
Assistant Examiner — Yolanda Robinson
(74) *Attorney, Agent, or Firm* — Justin Lampel

(57) **CLAIM**
The ornamental design for a pipe securing device, as shown and described.

DESCRIPTION

FIG. 1 is a perspective view of a pipe securing device; FIG. 2 is a front view of the pipe securing device; FIG. 3 is a back view of the pipe securing device; FIG. 4 is a side view of the pipe securing device; FIG. 5 is another side view of the pipe securing device; FIG. 6 is a top view of the pipe securing device; and, FIG. 7 is a bottom view of the pipe securing device. The broken line shown in the drawings are for the purpose of illustrating portions of the pipe securing device that form no part of the claimed design.

1 Claim, 5 Drawing Sheets



(56)

References Cited

U.S. PATENT DOCUMENTS

2016/0003375 A1* 1/2016 Robertson, Jr. H02G 11/00
248/341
2018/0142833 A1* 5/2018 Sasson A47G 25/06
2019/0309874 A1* 10/2019 Dafonseca F16L 3/02
2019/0323631 A1* 10/2019 Wu F16L 3/1233

* cited by examiner

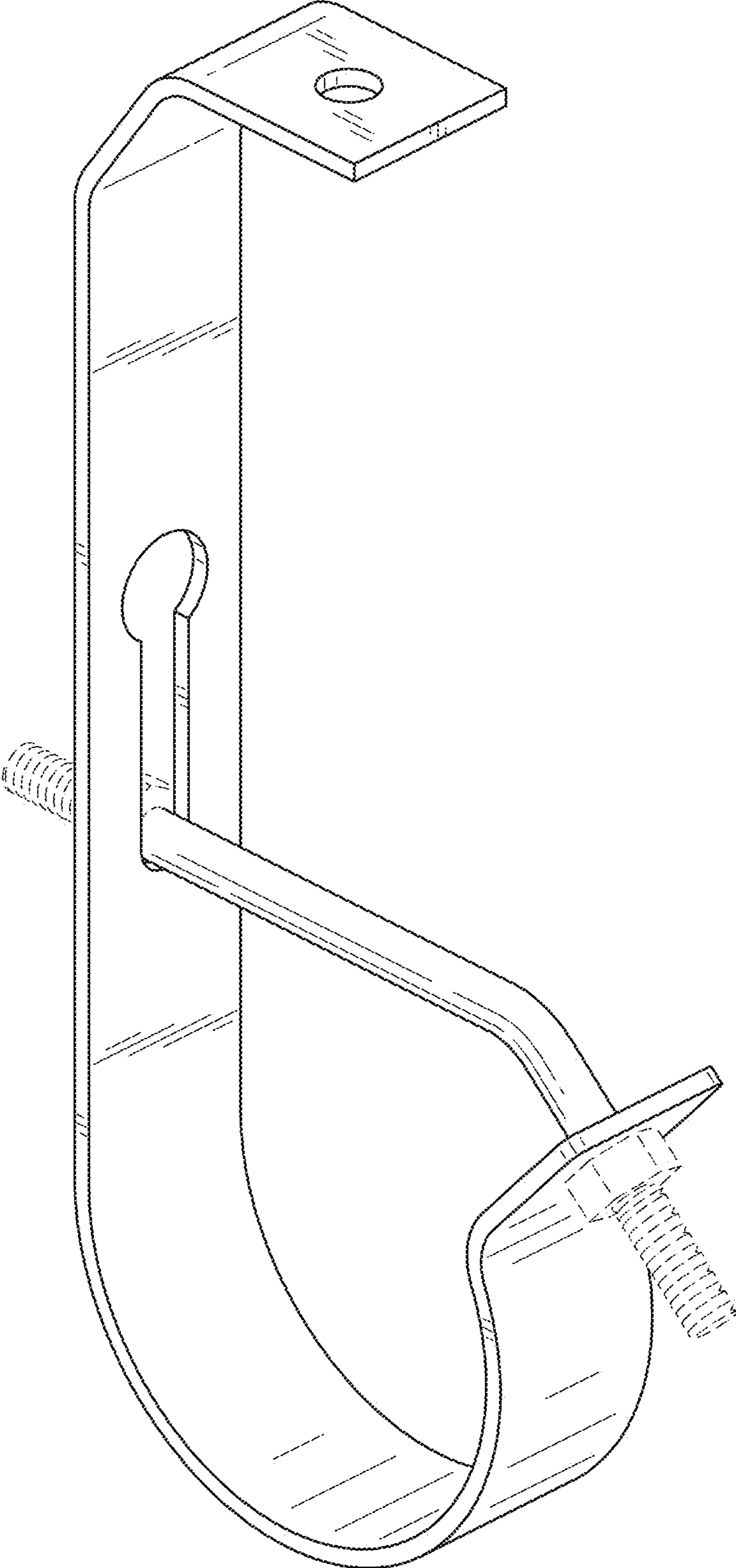


FIG. 1

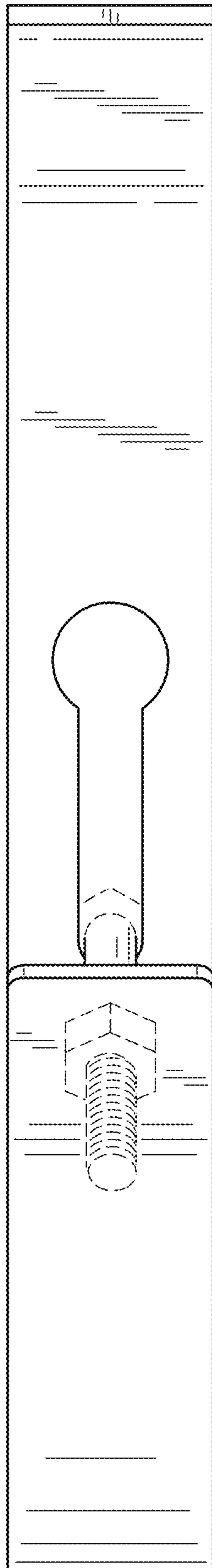


FIG. 2

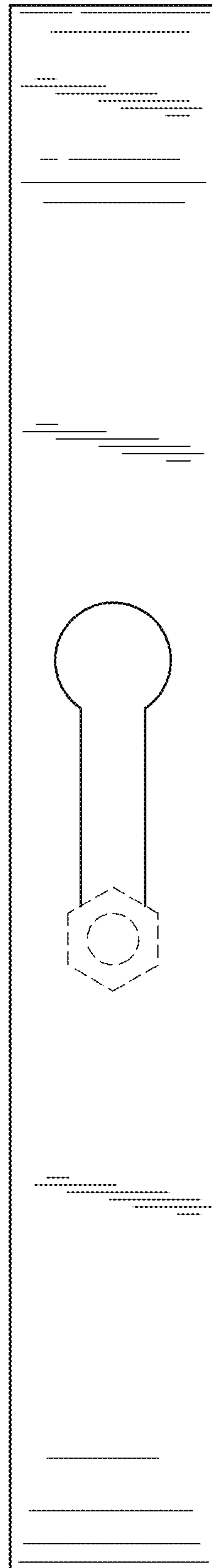


FIG. 3

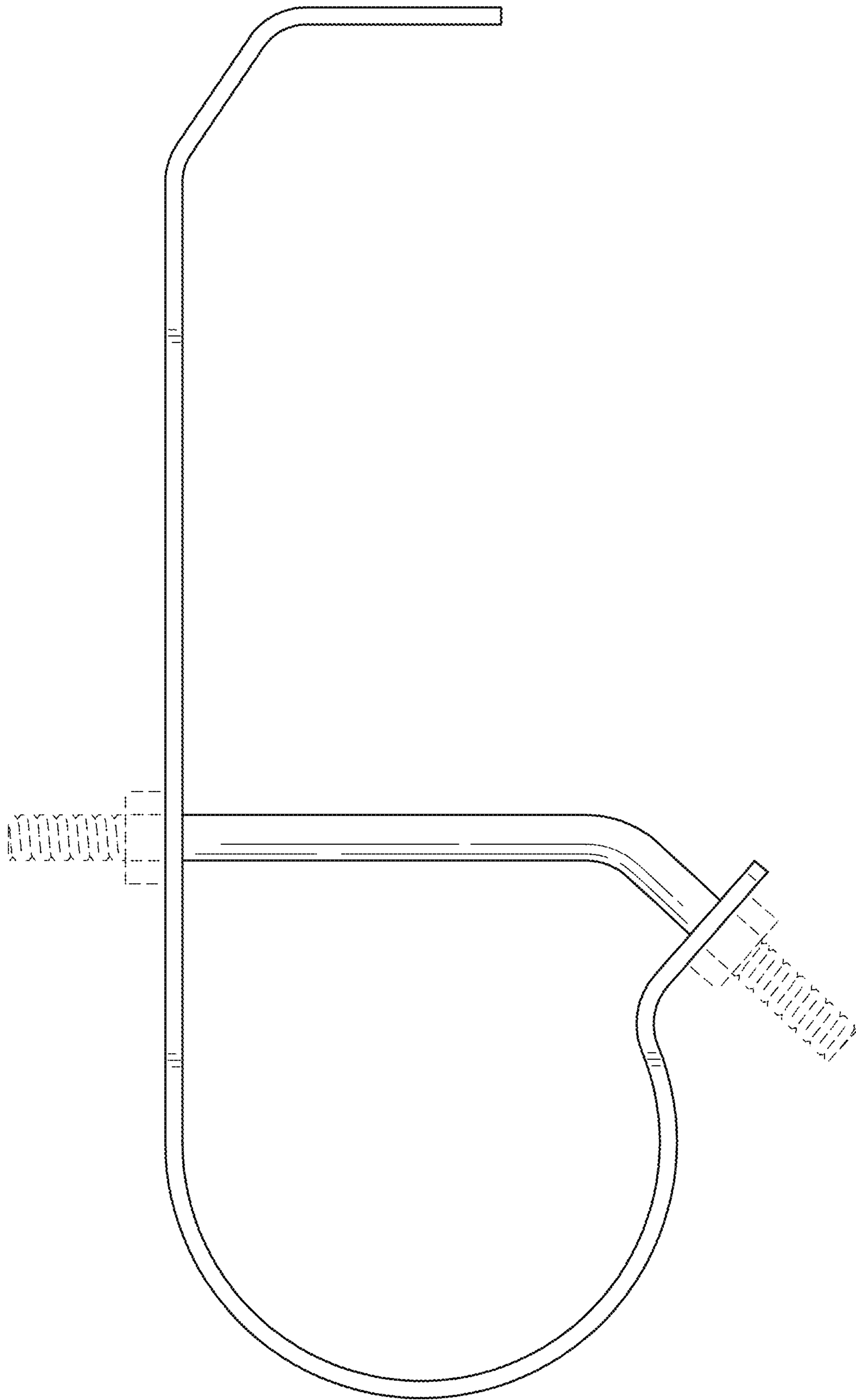


FIG. 4

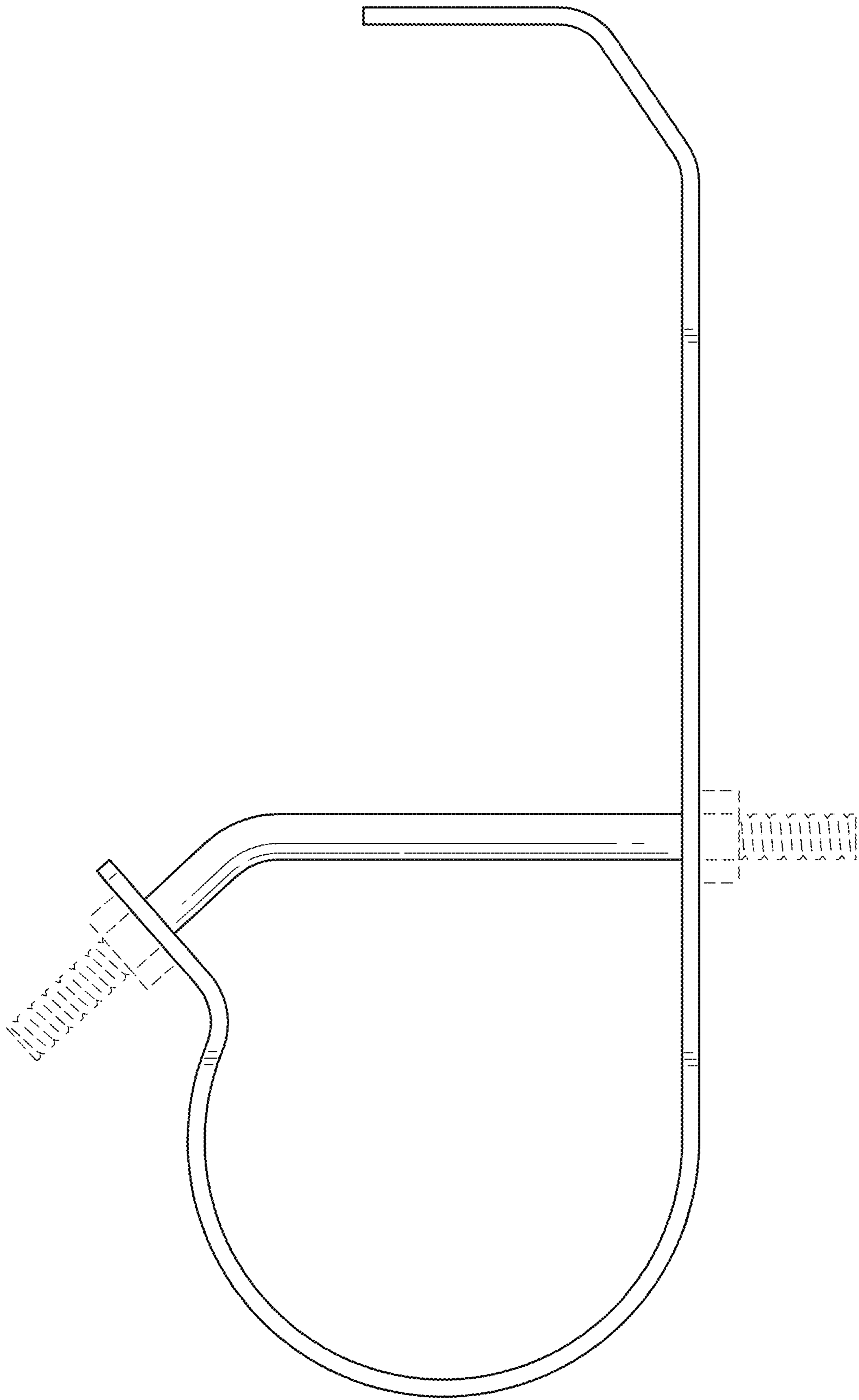


FIG. 5

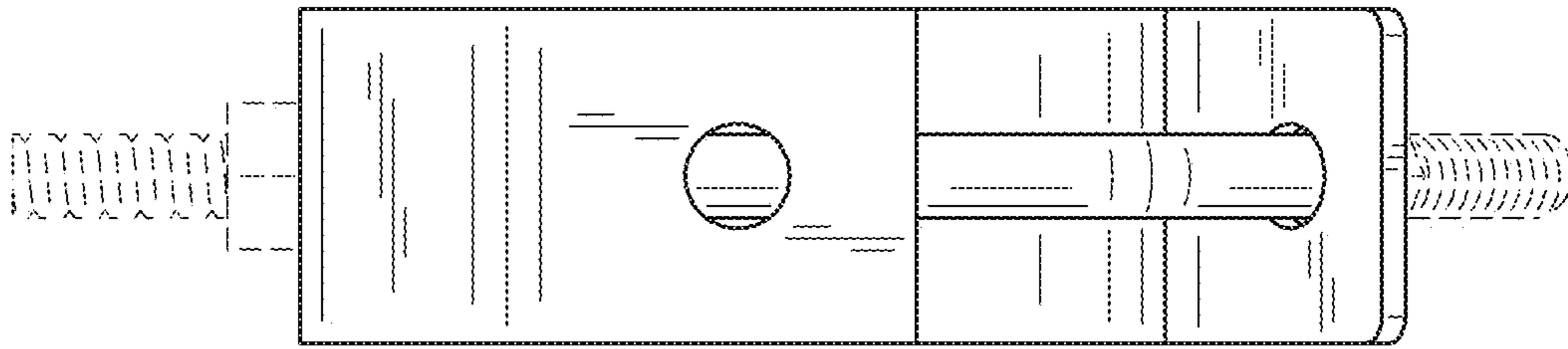


FIG. 6



FIG. 7