



US00D882378S

(12) **United States Design Patent**
Graykowski et al.

(10) **Patent No.:** **US D882,378 S**
(45) **Date of Patent:** **** Apr. 28, 2020**

- (54) **CARABINER**
- (71) Applicant: **Milwaukee Electric Tool Corporation**,
Brookfield, WI (US)
- (72) Inventors: **Anthony S. Graykowski**, Belgium, WI
(US); **Andrew G. Wagner**, Libson, WI
(US); **Derek Rose**, Menomonee Falls,
WI (US)
- (73) Assignee: **Milwaukee Electric Tool Corporation**,
Brookfield, WI (US)
- (**) Term: **15 Years**
- (21) Appl. No.: **29/685,903**
- (22) Filed: **Apr. 1, 2019**

- D765,497 S 9/2016 Petzl
 - 9,500,221 B2 11/2016 Yang et al.
 - D788,572 S 6/2017 Votel et al.
 - D819,429 S 6/2018 Newing et al.
 - D821,090 S * 6/2018 Case D3/207
 - D854,401 S * 7/2019 Adelman D8/356
 - D856,118 S * 8/2019 Adelman D8/356
 - 2013/0219673 A1 8/2013 Perner
 - 2014/0110956 A1 4/2014 Lin
 - 2014/0138191 A1 5/2014 Chabod et al.
- (Continued)

Primary Examiner — Cynthia R Underwood
(74) *Attorney, Agent, or Firm* — Reinhart Boerner Van
Deuren s.c.

(57) **CLAIM**

We claim the ornamental design for a carabiner, as shown
and described.

Related U.S. Application Data

- (62) Division of application No. 29/634,242, filed on Jan.
19, 2018, now Pat. No. Des. 848,823.
- (51) **LOC (12) Cl.** **09-06**
- (52) **U.S. Cl.**
USPC **D8/356**
- (58) **Field of Classification Search**
USPC D8/367, 356, 354, 349, 105, 358;
24/599.9
CPC B65H 57/16; B63B 21/045; F16B 45/02
See application file for complete search history.

DESCRIPTION

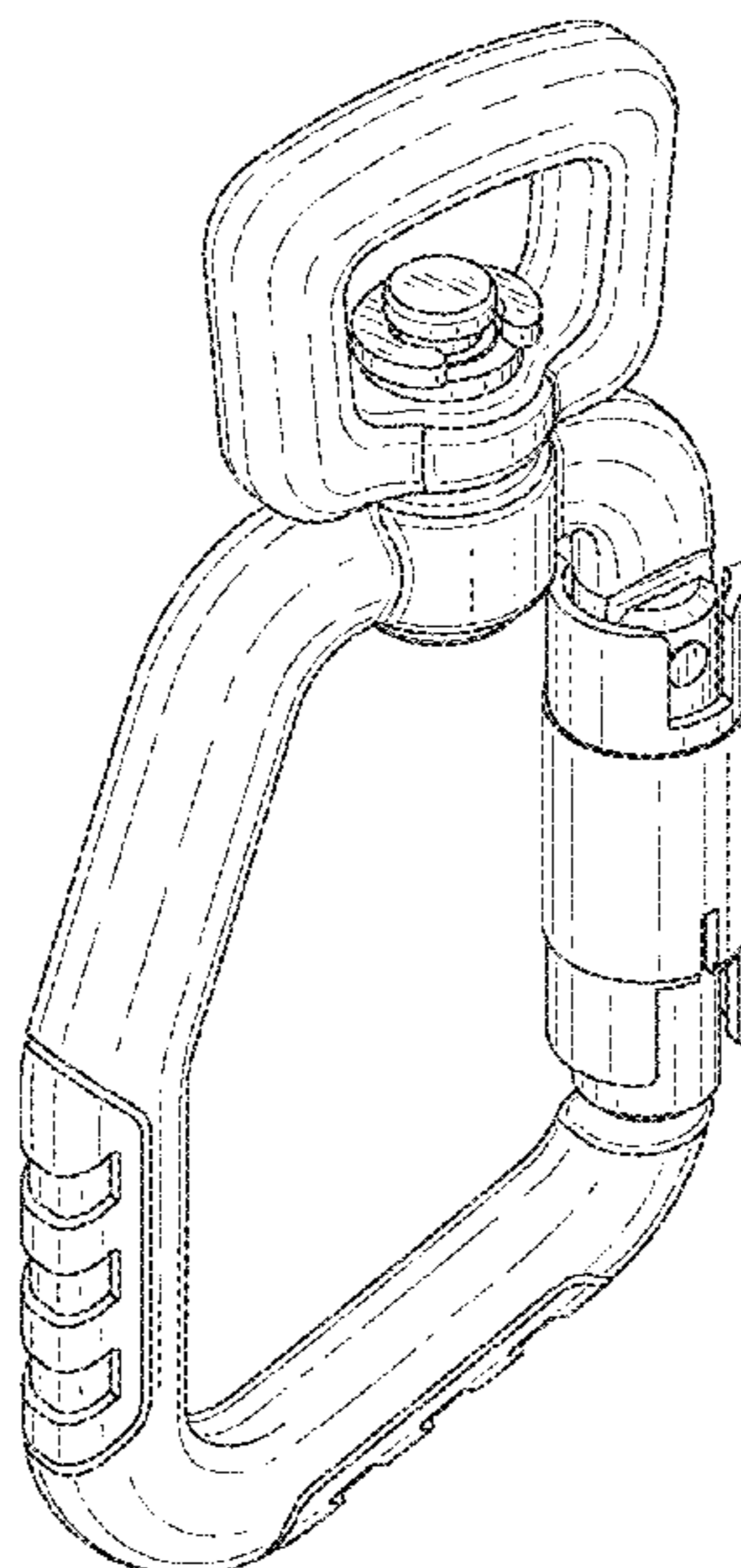
FIG. 1 is a perspective view of a carabiner according to an
embodiment of the invention.
FIG. 2 is a right side view of the carabiner of FIG. 1.
FIG. 3 is a left side view of the carabiner of FIG. 1.
FIG. 4 is a back side view of the carabiner of FIG. 1.
FIG. 5 is a front side view of the carabiner of FIG. 1.
FIG. 6 is a top side view of the carabiner of FIG. 1.
FIG. 7 is a bottom side view of the carabiner of FIG. 1.
FIG. 8 is a perspective view of a carabiner according to an
embodiment of the invention.
FIG. 9 is a right side view of the carabiner of FIG. 8.
FIG. 10 is a left side view of the carabiner of FIG. 8.
FIG. 11 is a back side view of the carabiner of FIG. 8.
FIG. 12 is a front side view of the carabiner of FIG. 8.
FIG. 13 is a top side view of the carabiner of FIG. 8; and,
FIG. 14 is a bottom side view of the carabiner of FIG. 8.
The ornamental design which is claimed is shown in solid
lines in the drawings.

(56) **References Cited**

U.S. PATENT DOCUMENTS

- 7,444,723 B2 11/2008 Lin
- D626,908 S * 11/2010 Marcaccio D12/345
- 7,922,220 B2 4/2011 Coulombe
- D658,487 S * 5/2012 Chih D8/360
- D730,159 S 5/2015 Grimm et al.
- D730,722 S 6/2015 Grimm et al.
- D743,778 S 11/2015 Huang

1 Claim, 8 Drawing Sheets



(56)

References Cited

U.S. PATENT DOCUMENTS

2014/0245576 A1* 9/2014 Perner F16B 45/02
24/600.1
2016/0361578 A1 12/2016 Casebolt et al.
2016/0376129 A1* 12/2016 Hendrix F16B 45/02
294/82.2

* cited by examiner

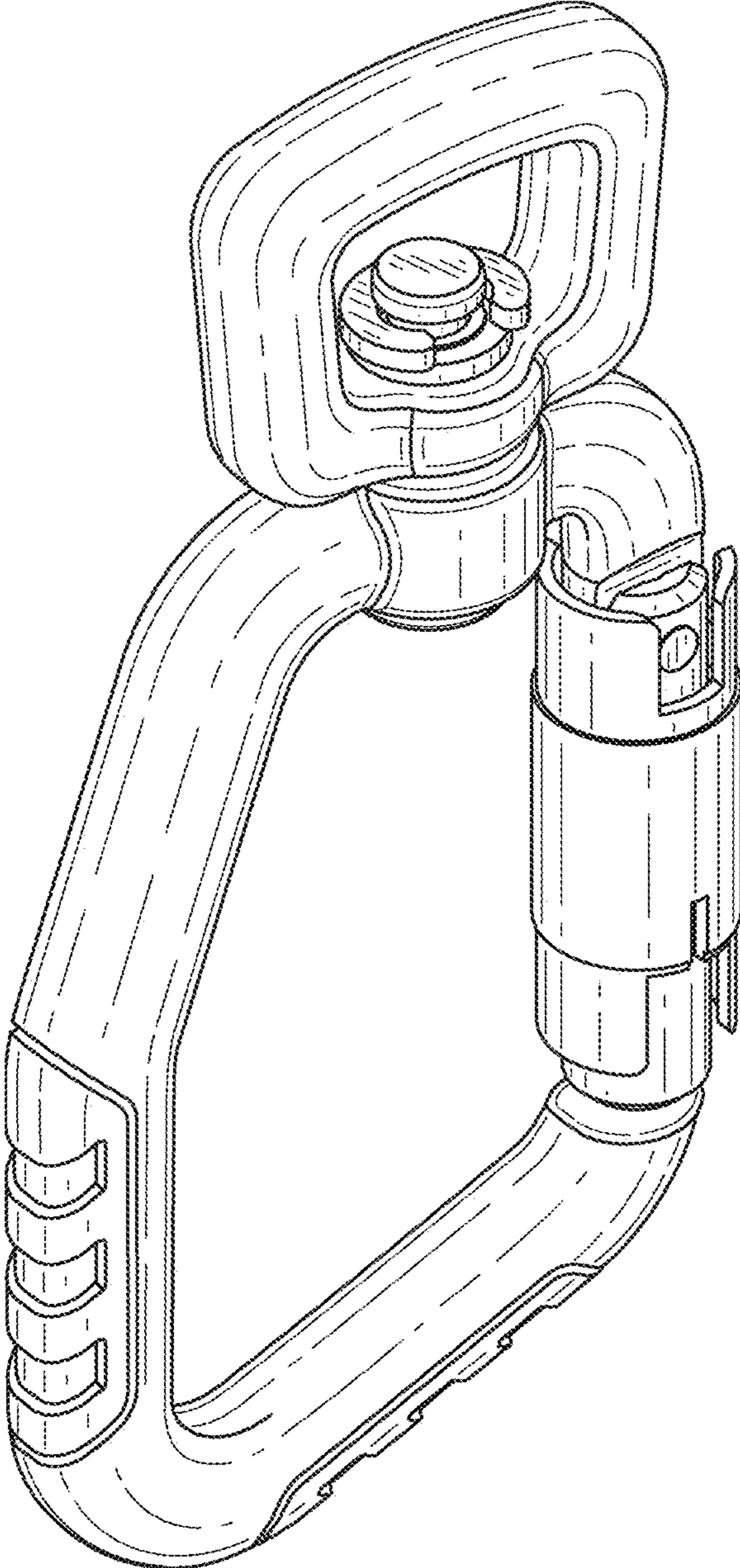


FIG. 1

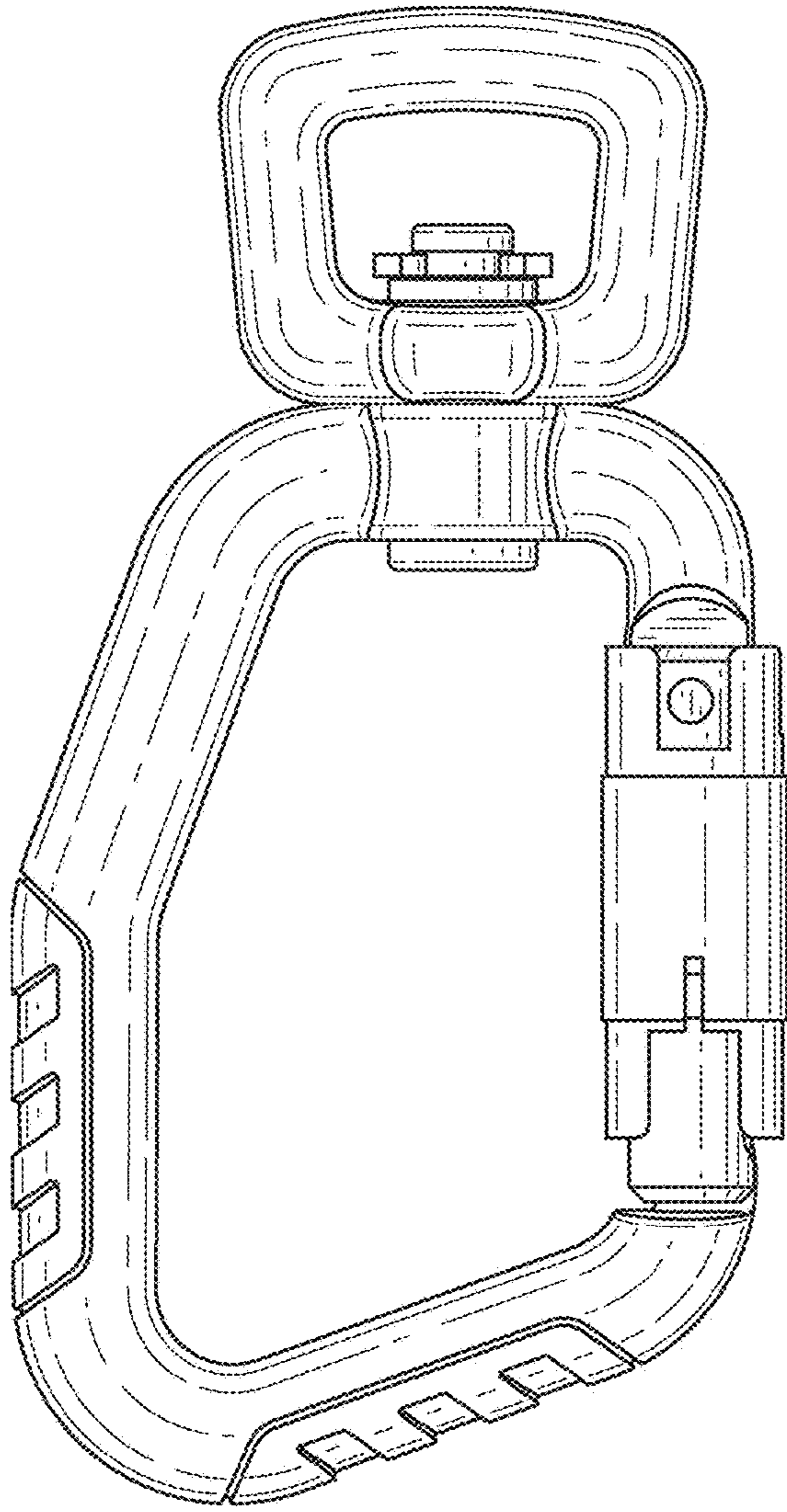


FIG. 2

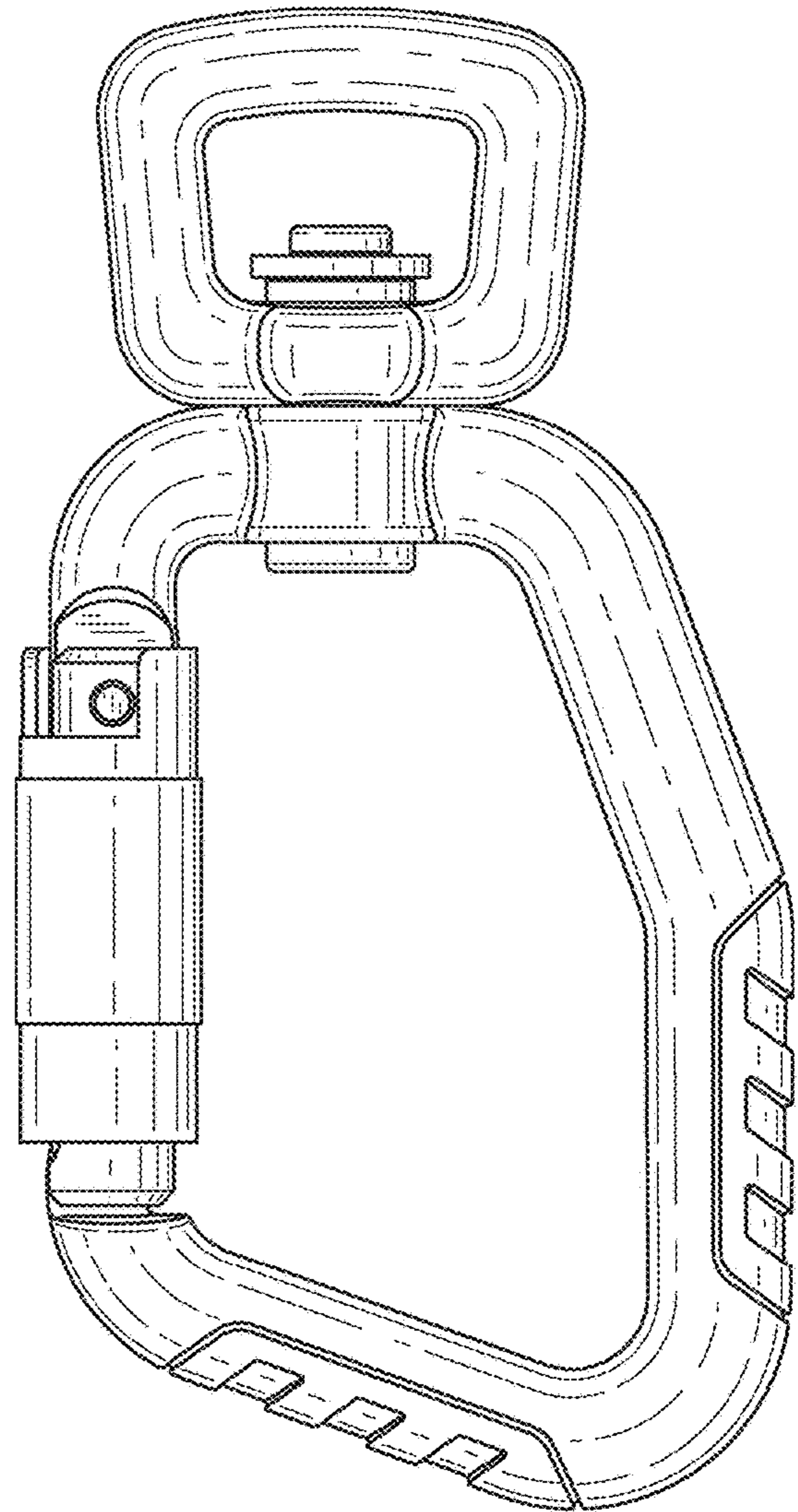


FIG. 3

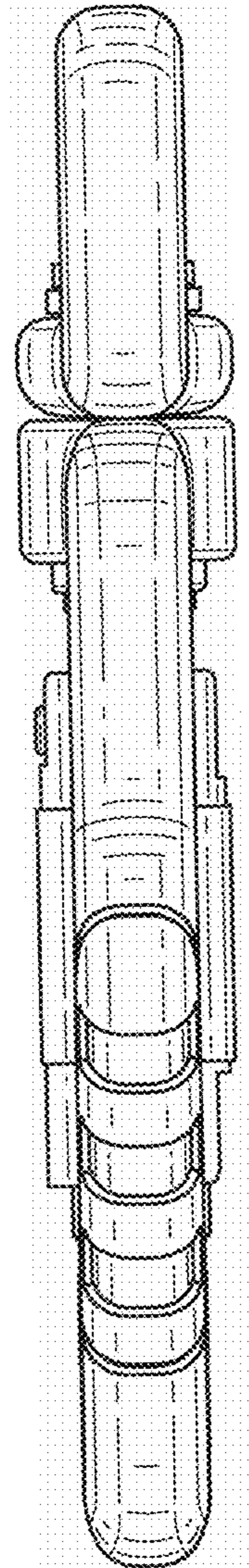


FIG. 4

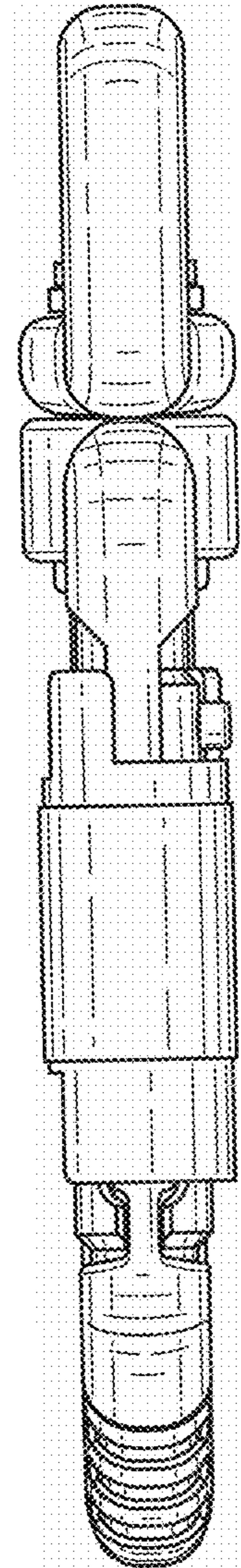


FIG. 5

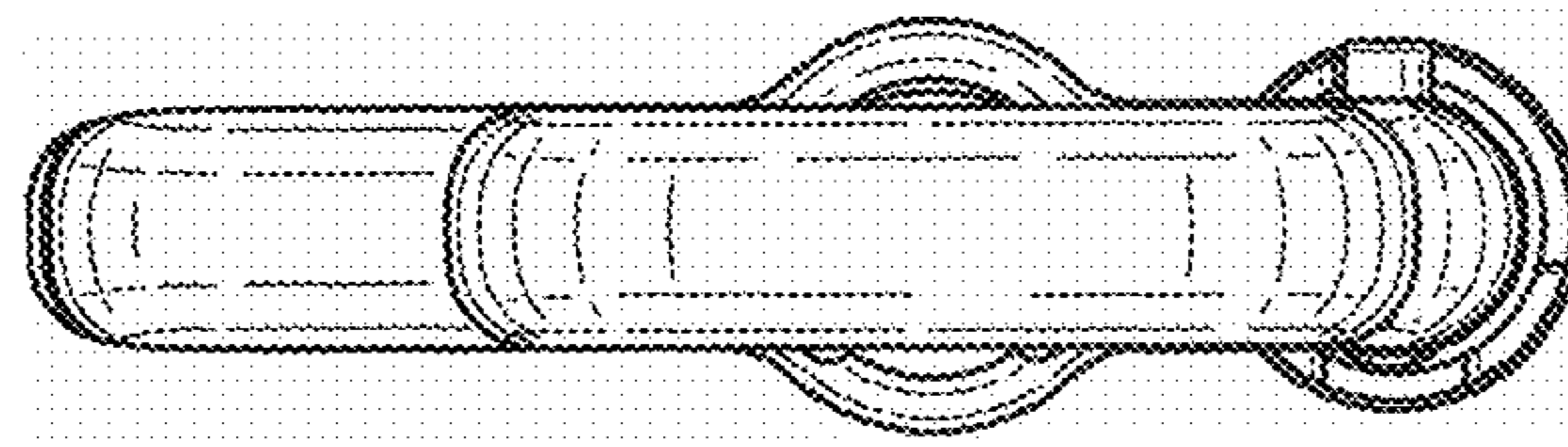


FIG. 6

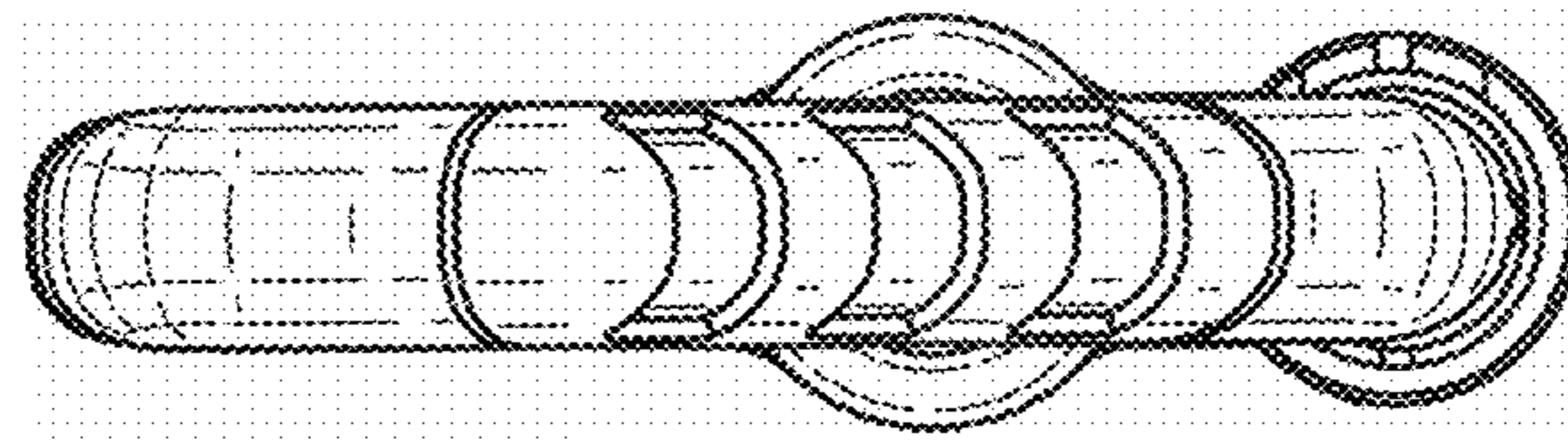


FIG. 7

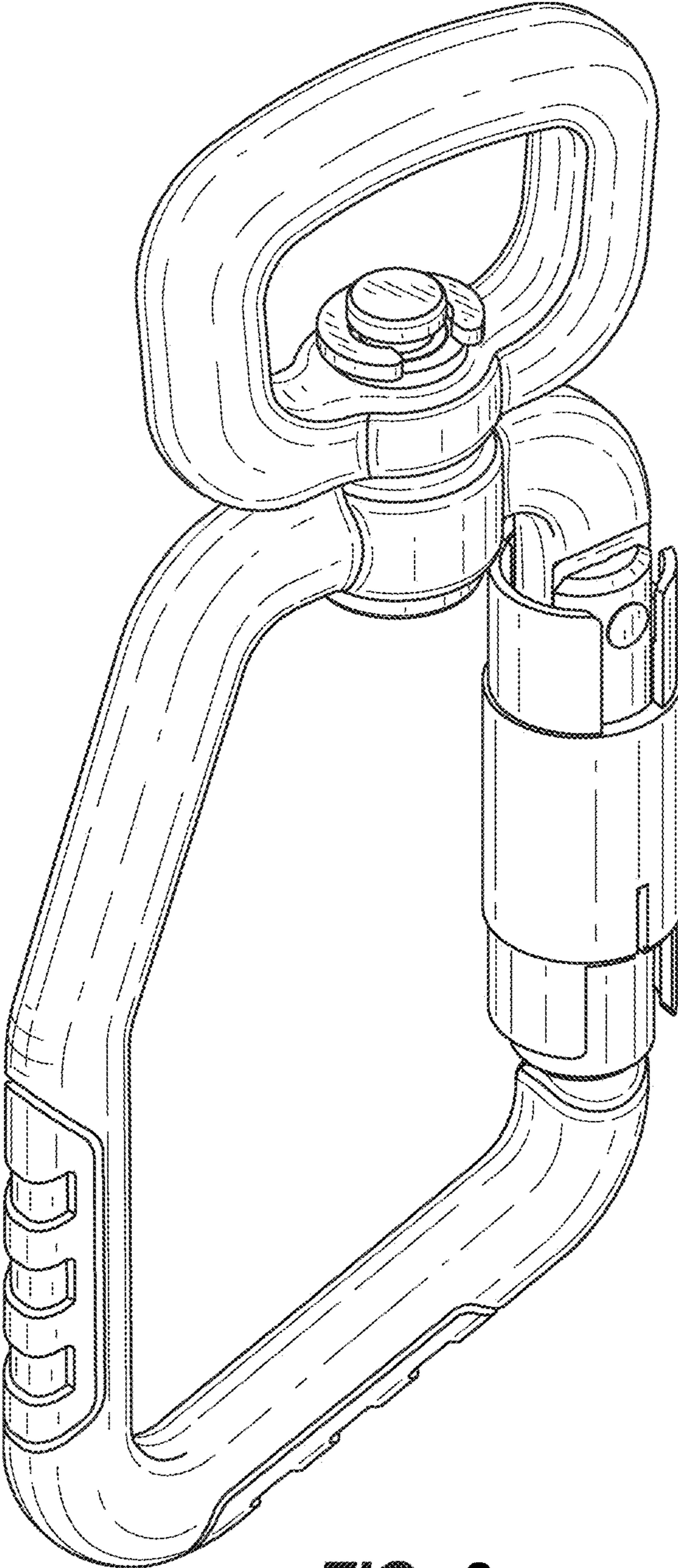


FIG. 8

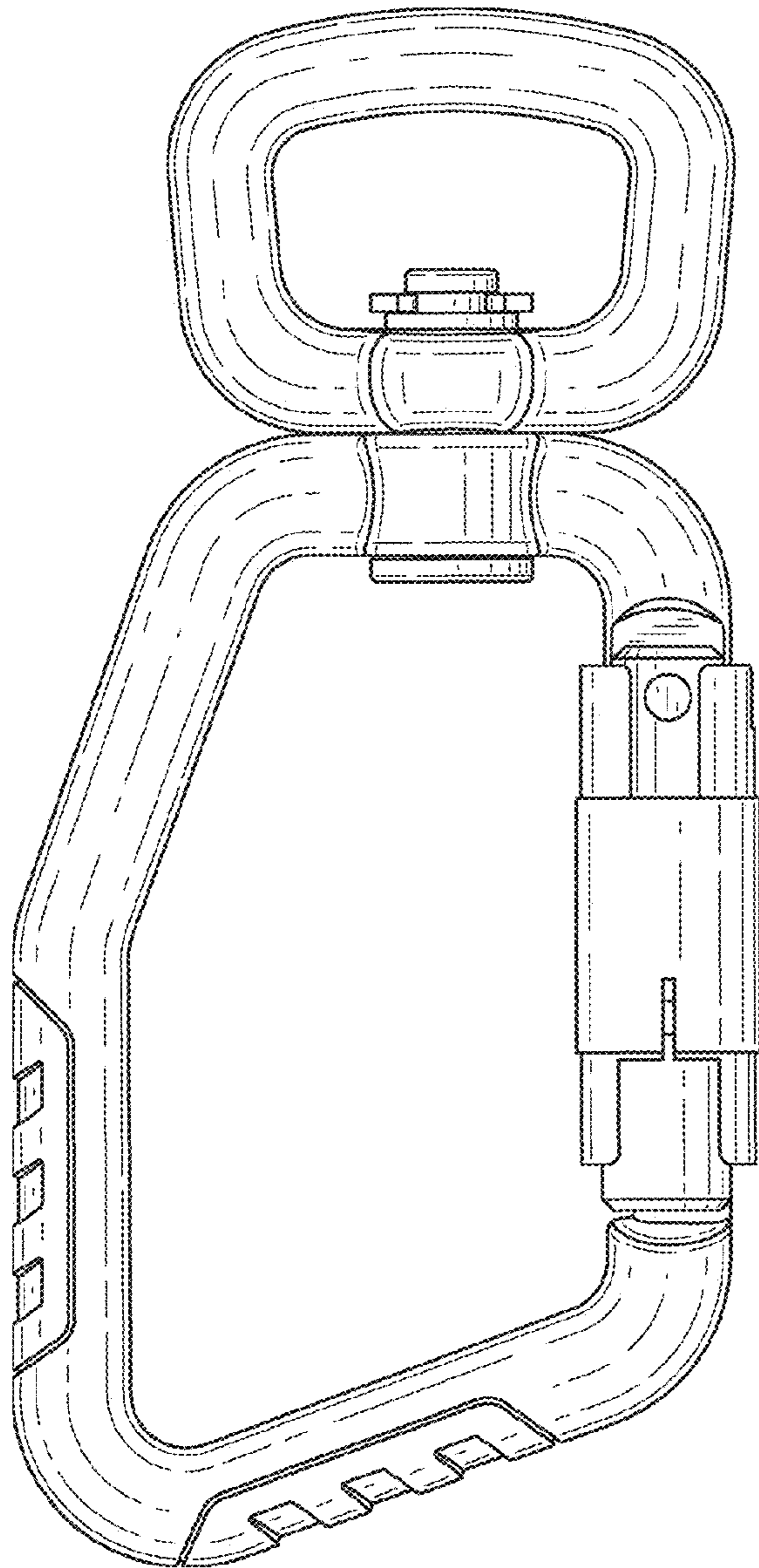


FIG. 9

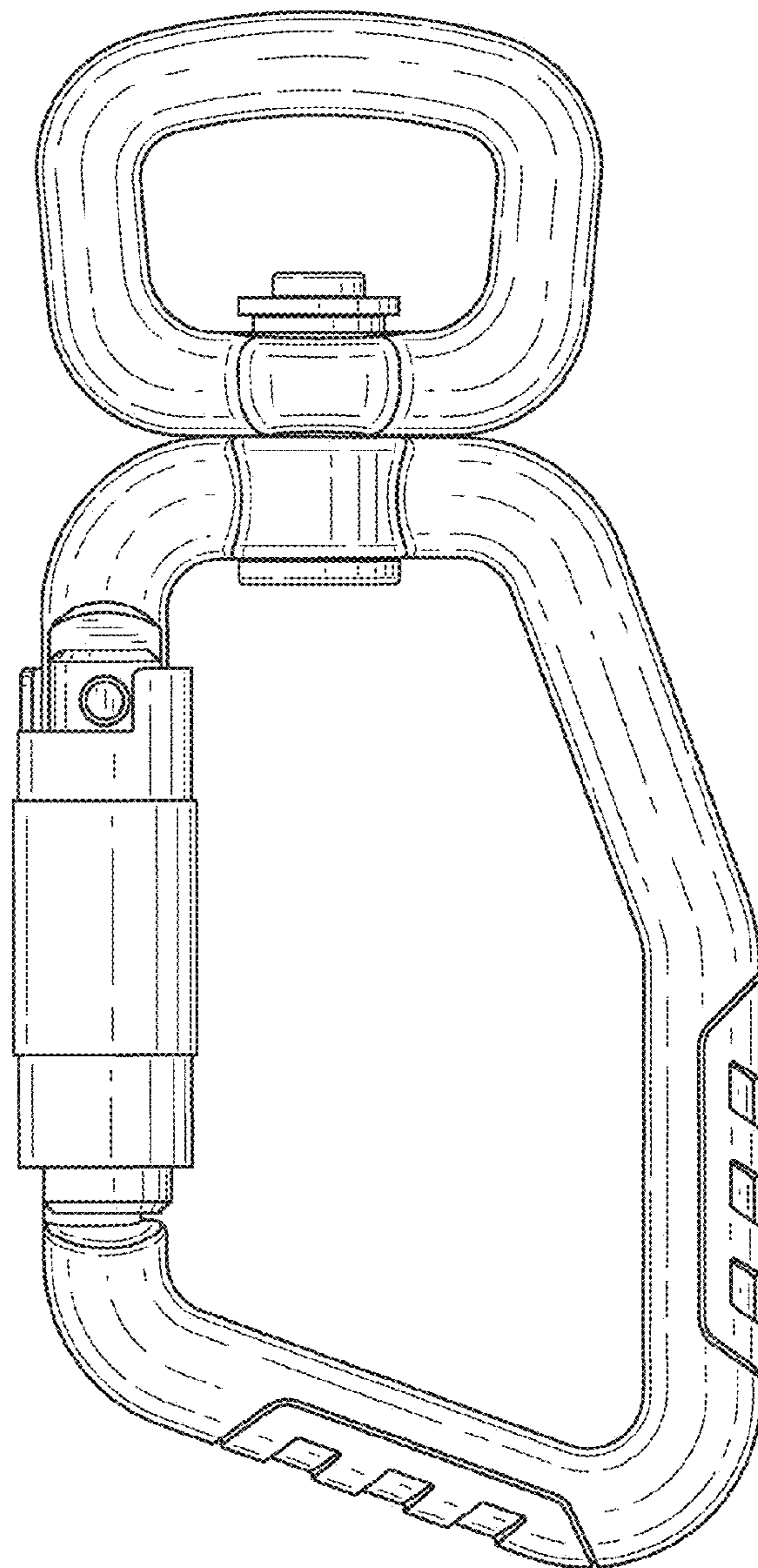


FIG. 10

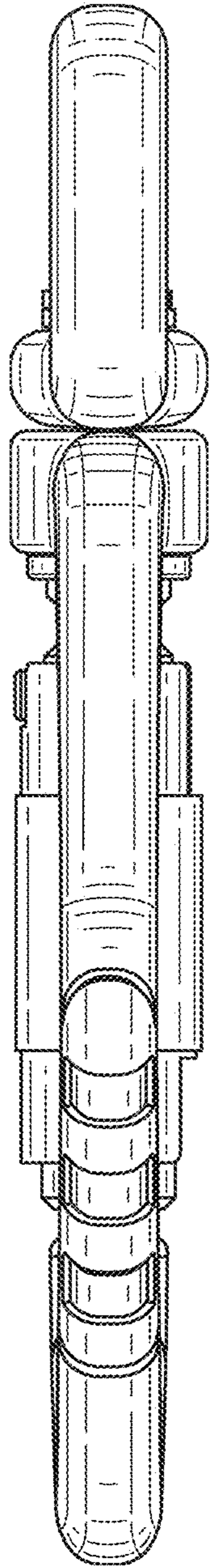


FIG. 11

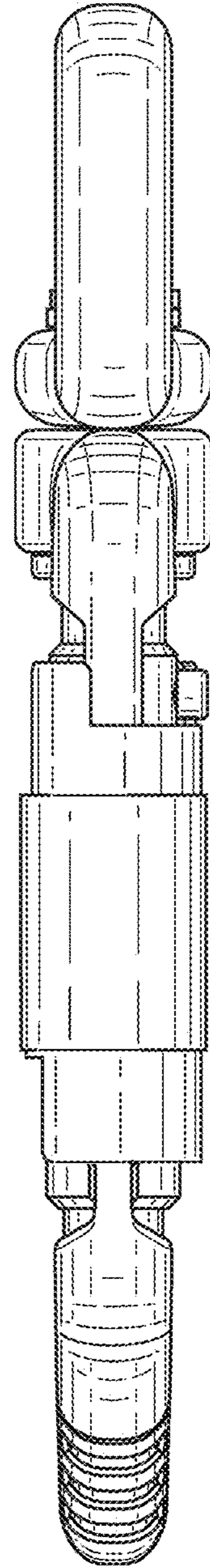


FIG. 12

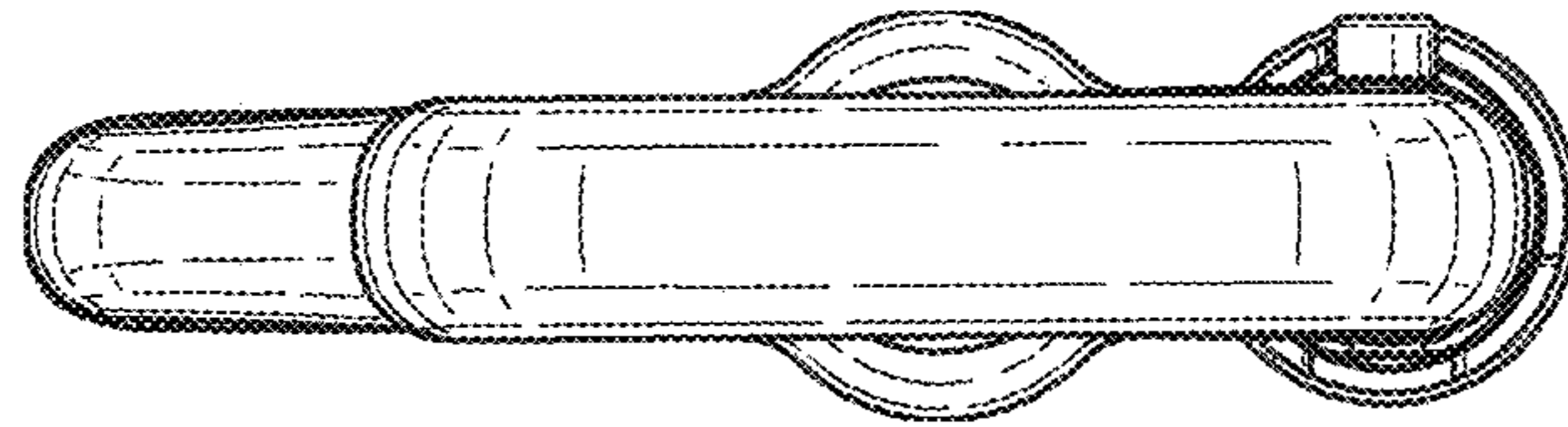


FIG. 13

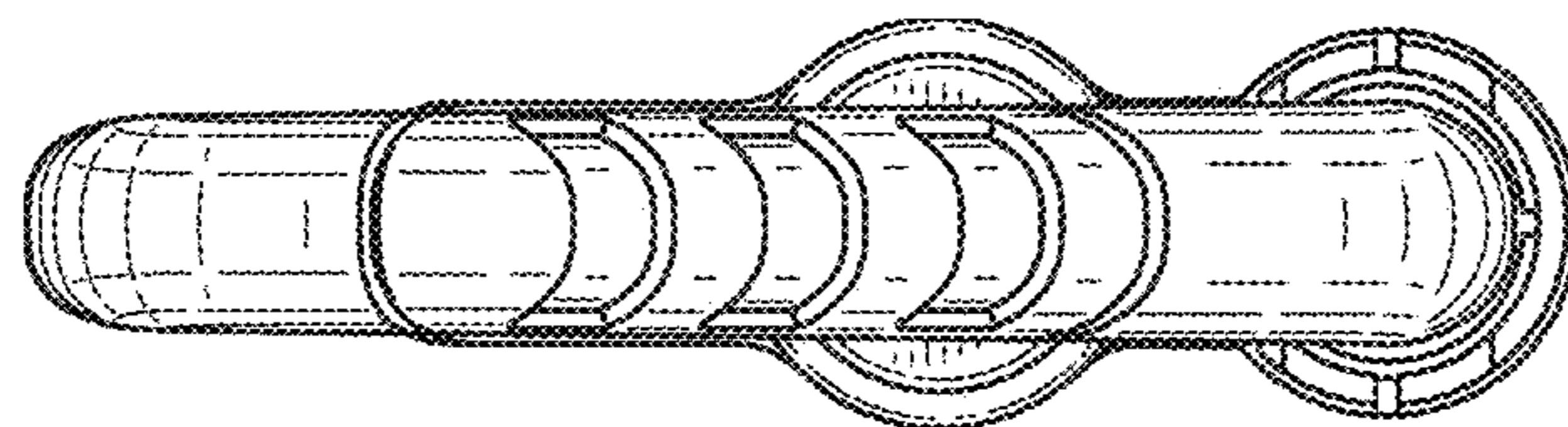


FIG. 14