



US00D882375S

(12) **United States Design Patent**  
**Chen**

(10) **Patent No.:** **US D882,375 S**

(45) **Date of Patent:** **\*\* Apr. 28, 2020**

(54) **LOCK COLLAR**

(71) Applicant: **TAIWAN FU HSING INDUSTRIAL CO., LTD.**, Kaohsiung (TW)

(72) Inventor: **Chi-Ming Chen**, Kaohsiung (TW)

(73) Assignee: **Taiwan Fu Hsing Industrial Co., Ltd.**, Kaohsiung (TW)

(\*\*) Term: **15 Years**

(21) Appl. No.: **29/610,552**

(22) Filed: **Jul. 13, 2017**

(30) **Foreign Application Priority Data**

Jun. 21, 2017 (TW) ..... 106208987

(51) **LOC (12) Cl.** ..... **08-07**

(52) **U.S. Cl.**  
USPC ..... **D8/343**

(58) **Field of Classification Search**  
USPC ..... D8/359, 499, 330, 331, 333, 334, 341, D8/342, 349, 343, 346, 350; D9/435, D9/436, 442, 443, 444, 445, 499, 528, D9/529, 539, 686, 687, 688; 70/58, 107, 70/141, 210, 217, 218, 221-224, 70/284-286, 314, DIG. 44, 277-283.1, 70/472; 206/221, 222; 215/216; 220/253, 713; 222/525  
CPC ... E05B 3/00; E05B 1/00; E05B 37/00; E05B 47/00; E05B 47/06; E05B 49/00; E05B 15/02; E05B 13/103; E05B 9/00; E05B 9/002; E05B 9/02; E05C 9/004; E05C 9/002; B65D 47/12

See application file for complete search history.

(56) **References Cited**

U.S. PATENT DOCUMENTS

D634,450 S \* 3/2011 Stover ..... D25/135  
D718,136 S \* 11/2014 Harrity ..... D9/499

D738,186 S \* 9/2015 Nadgouda ..... D8/331  
D738,700 S \* 9/2015 Yan ..... D8/330  
D740,642 S \* 10/2015 Carlsson ..... D8/301  
D776,244 S \* 1/2017 Krombein ..... D23/259  
D780,859 S \* 3/2017 Ramsey ..... D21/694  
D782,303 S \* 3/2017 Strachan ..... D7/392.1  
D782,304 S \* 3/2017 Cetti ..... D9/435  
D786,674 S \* 5/2017 Miller ..... D9/446  
D790,321 S \* 6/2017 Hsu ..... D8/331  
D790,951 S \* 7/2017 Ferreira Sanchez ..... D8/331  
D794,411 S \* 8/2017 Le ..... D8/302  
D794,414 S \* 8/2017 Chou ..... D8/330  
D805,877 S \* 12/2017 Malkoc ..... D8/331  
2010/0258522 A1 \* 10/2010 Escobar ..... B65D 39/0076  
215/364

(Continued)

*Primary Examiner* — Ian Simmons

*Assistant Examiner* — Yolanda Robinson

(74) *Attorney, Agent, or Firm* — Rosenberg, Klein & Lee

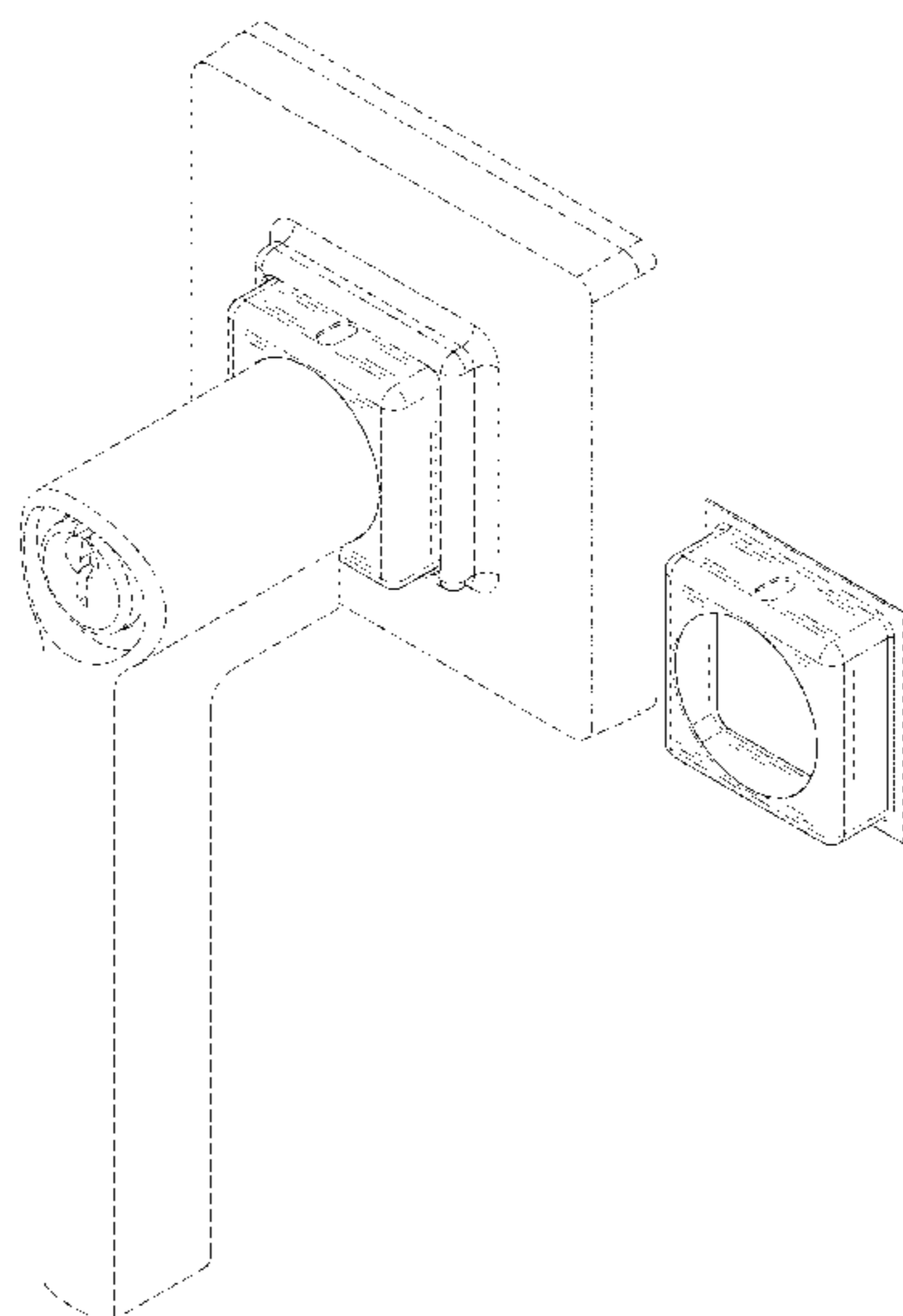
(57) **CLAIM**

The ornamental design for a lock collar, as shown and described.

**DESCRIPTION**

FIG. 1 is a perspective view of the lock collar showing my new design;  
FIG. 2 is a front elevational view thereof;  
FIG. 3 is a rear front elevational view thereof;  
FIG. 4 is a left side elevational view thereof;  
FIG. 5 is a right side elevational view thereof;  
FIG. 6 is a top plan view thereof;  
FIG. 7 is a bottom plan view thereof;  
FIG. 8 is a perspective view showing a lock collar without the lock of my new design; and,  
FIG. 9 is a further perspective view showing a lock collar without the lock of my new design.  
The broken line illustration of environmental structure in the drawings form no part of the claimed design.

**1 Claim, 9 Drawing Sheets**



(56)

**References Cited**

U.S. PATENT DOCUMENTS

2013/0276491 A1\* 10/2013 Huang ..... E05B 9/002  
70/448  
2014/0130557 A1\* 5/2014 Koh ..... E05B 53/003  
70/344  
2017/0275925 A1\* 9/2017 Murphy ..... E05B 13/004  
2018/0058096 A1\* 3/2018 Ou ..... E05B 55/005

\* cited by examiner

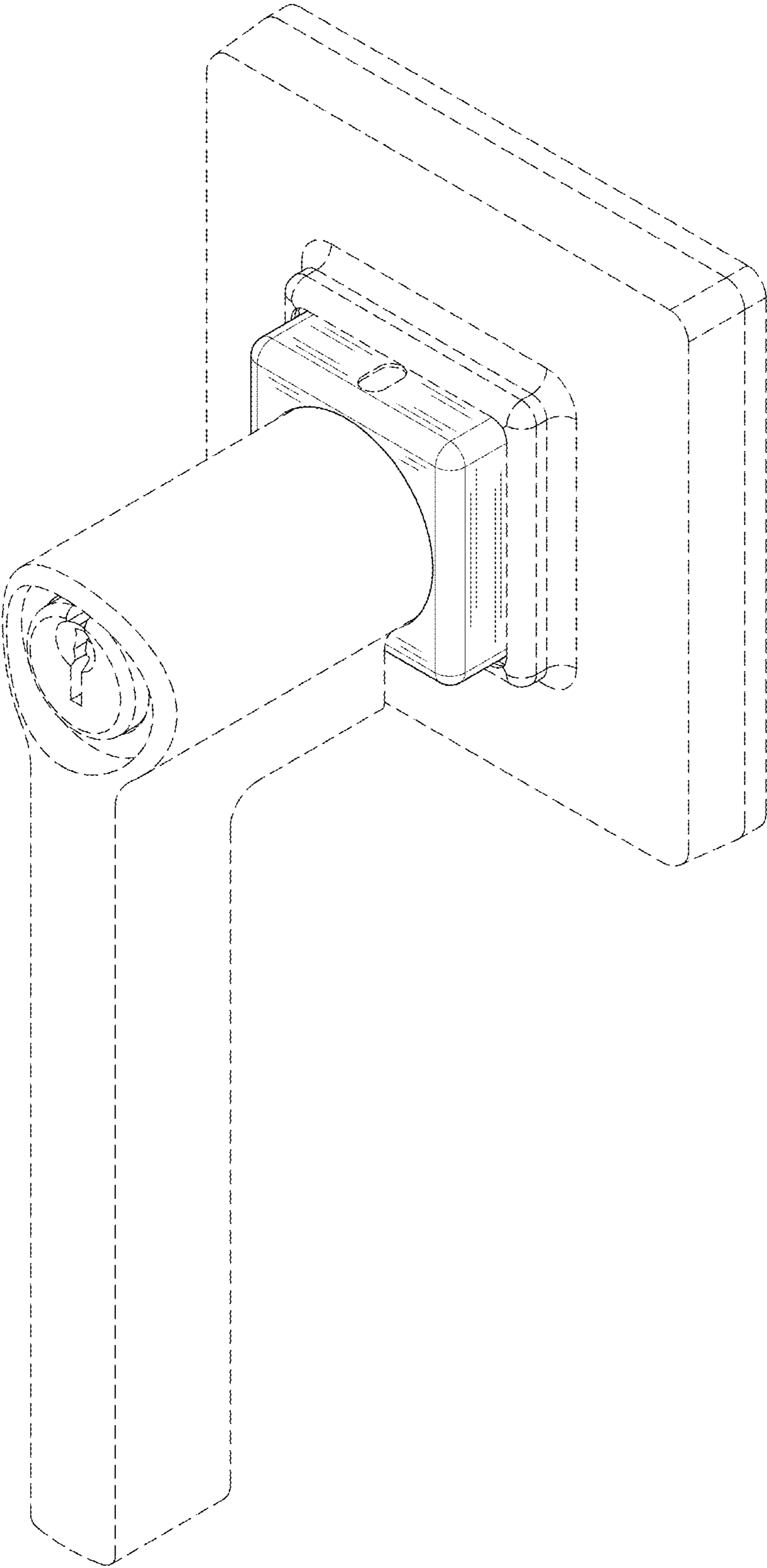


FIG.1

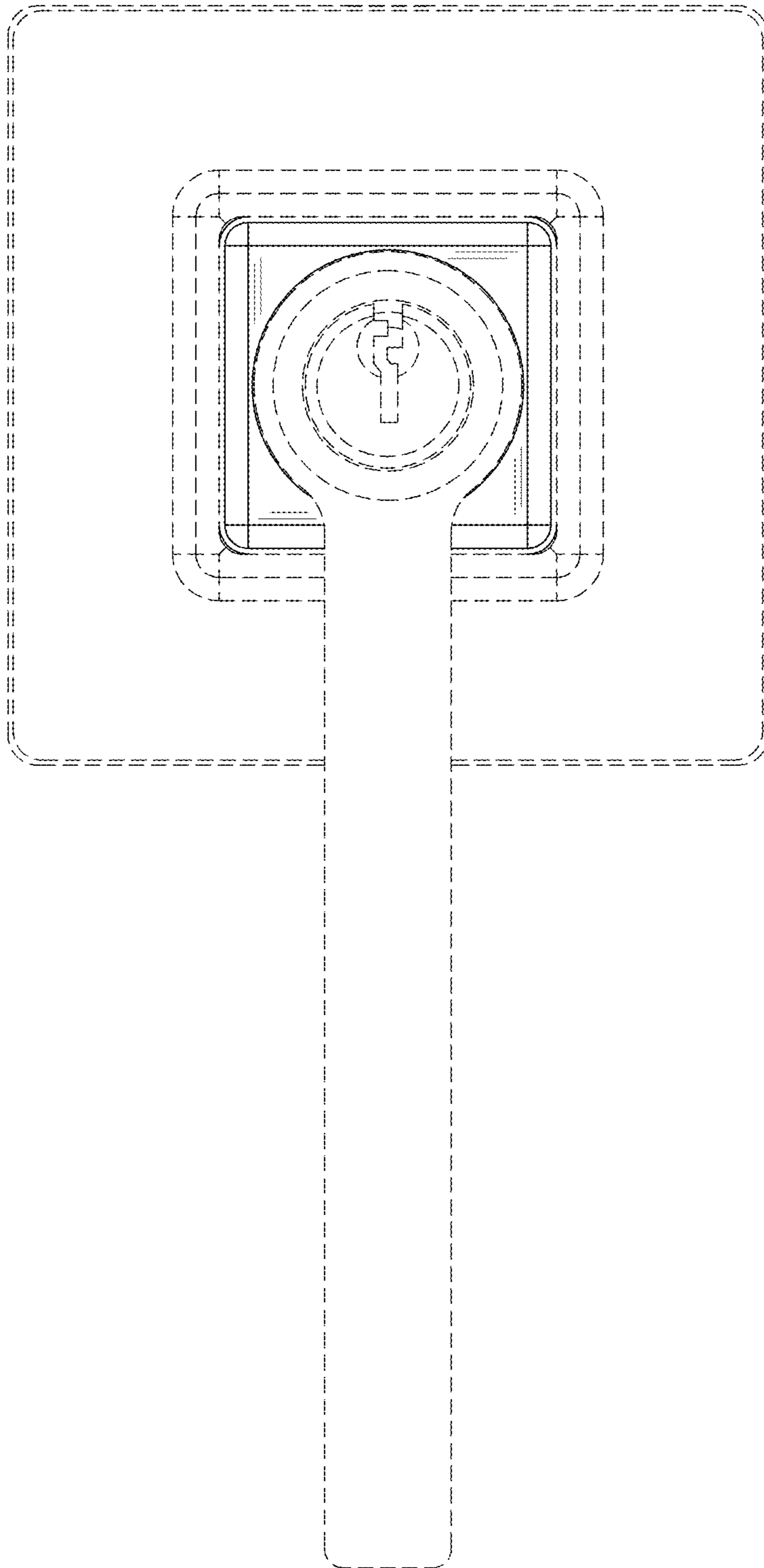


FIG.2

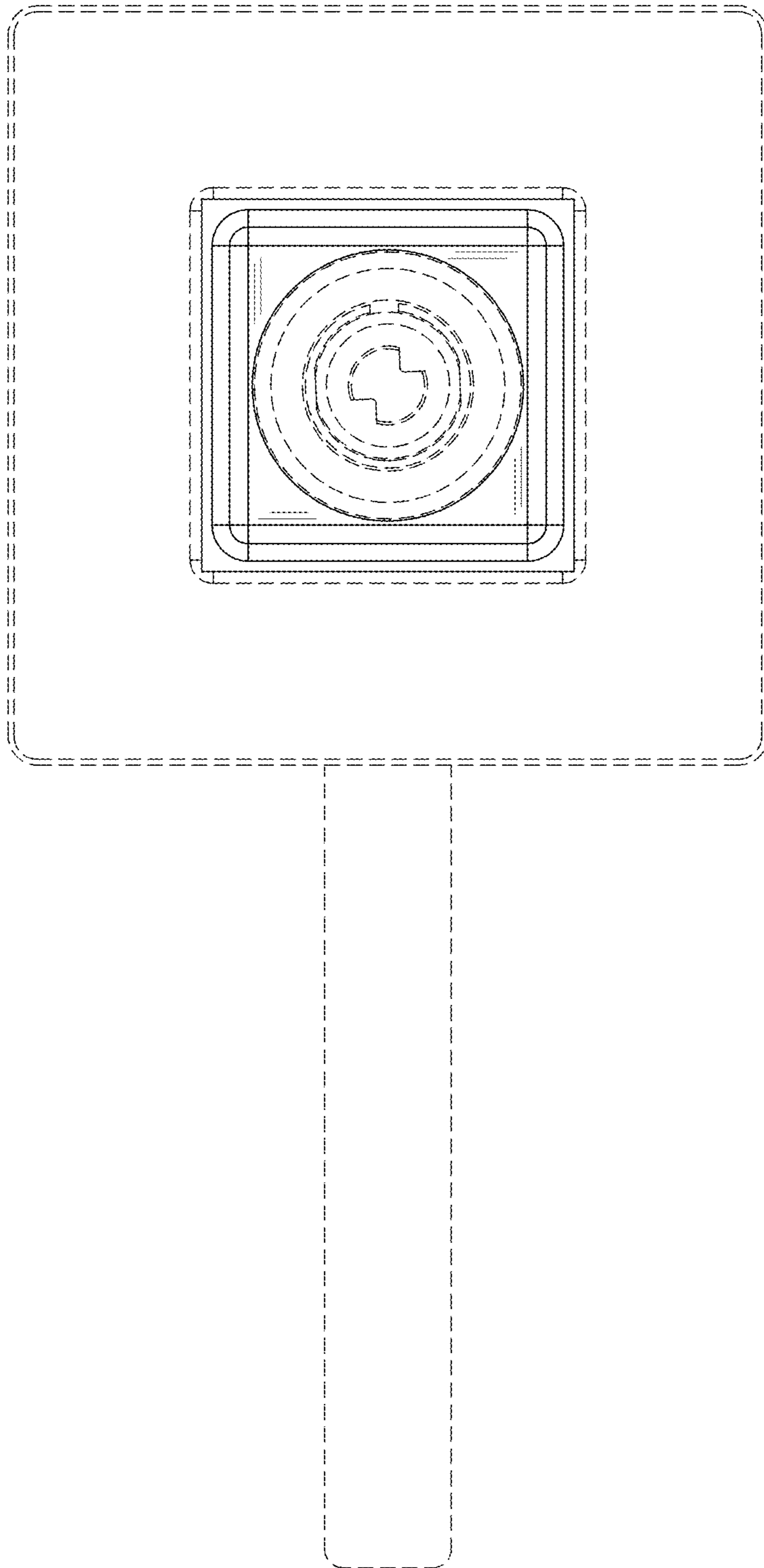


FIG.3

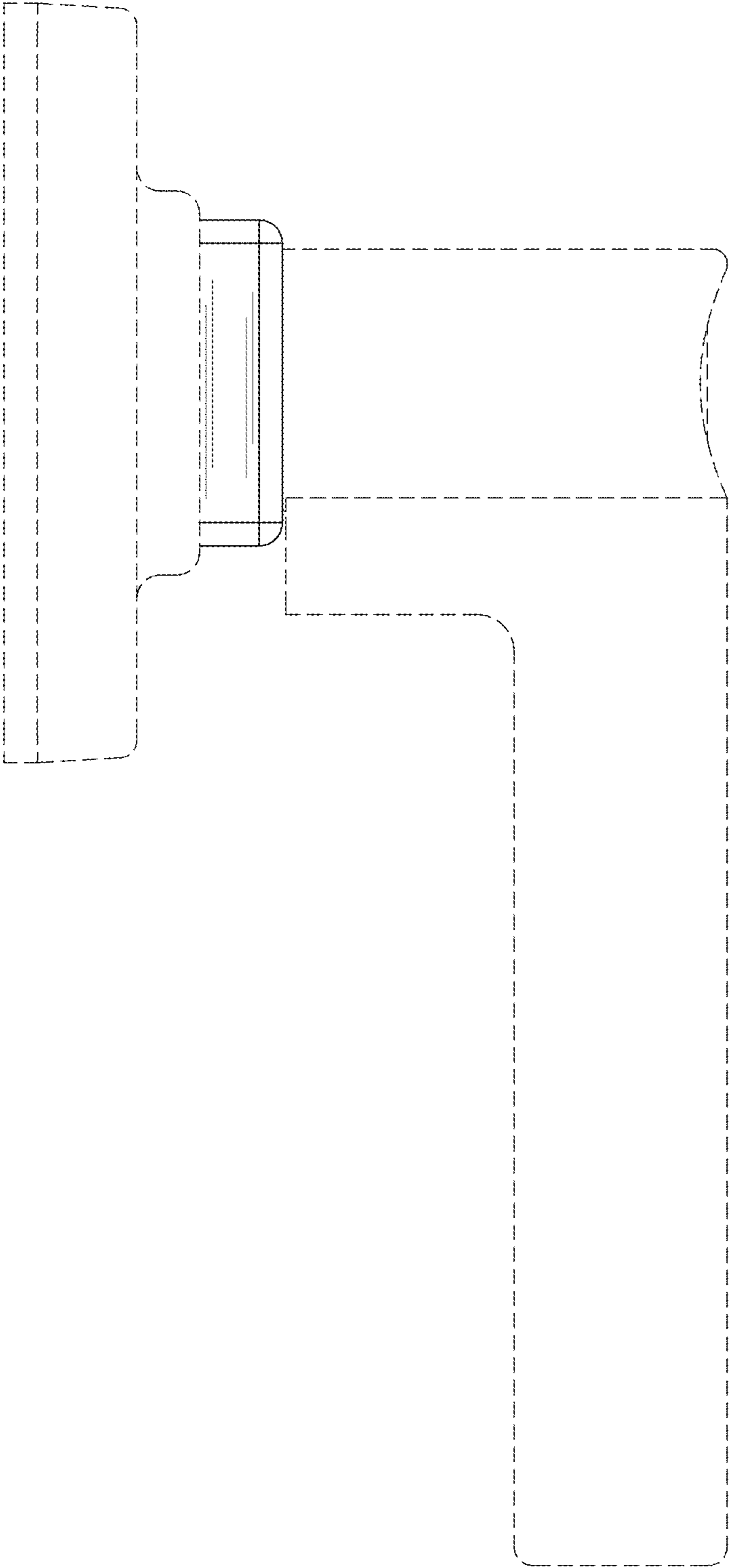


FIG.4

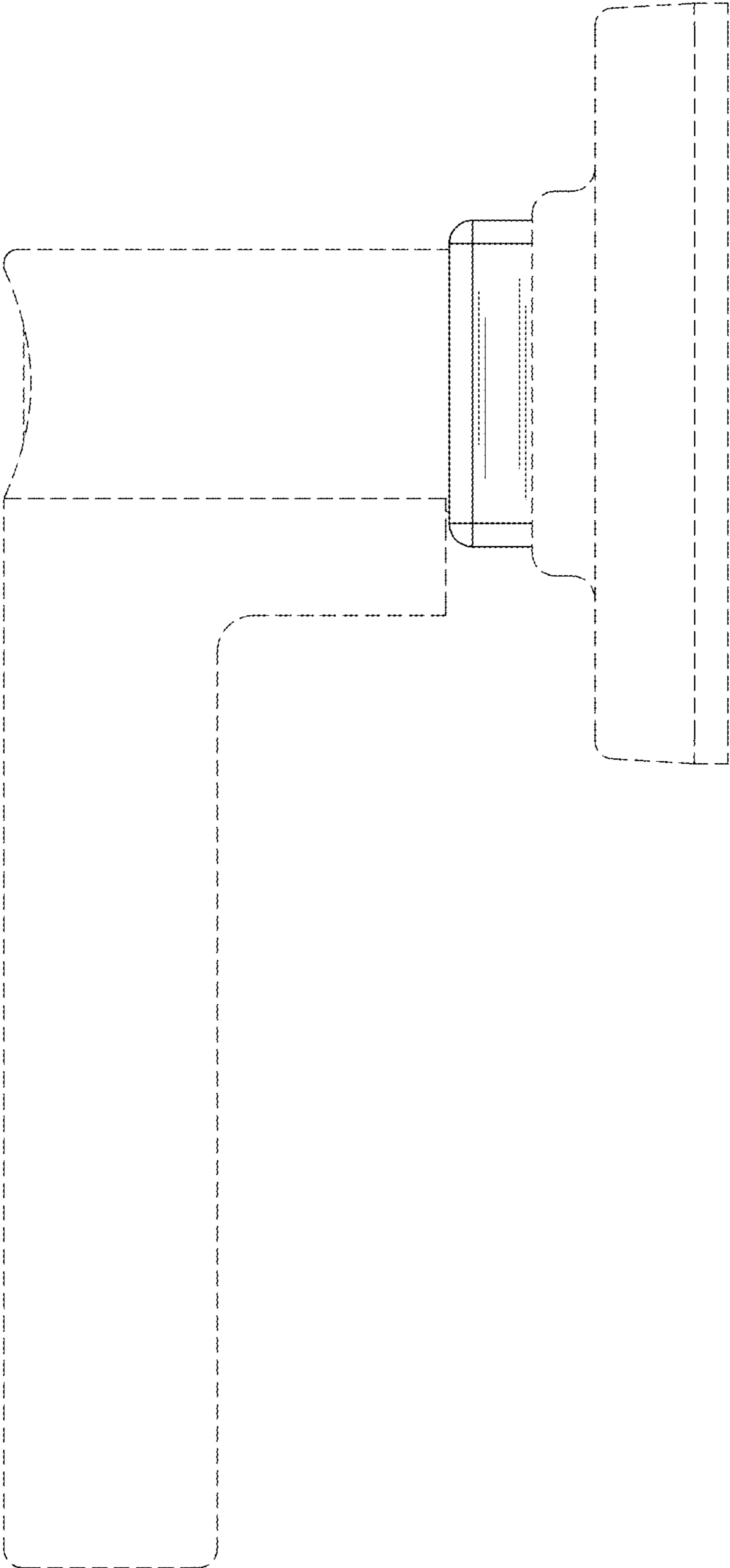


FIG.5

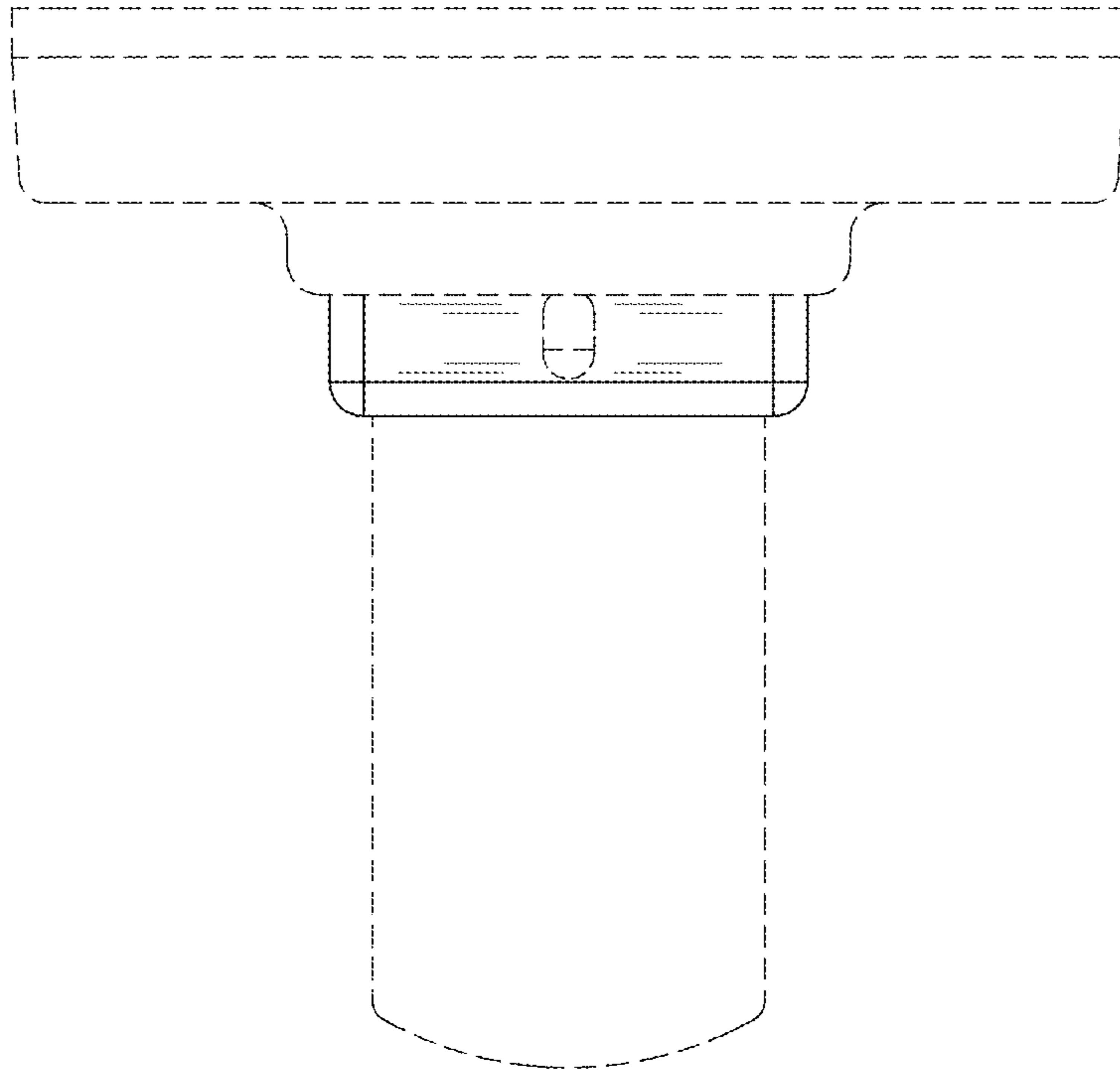


FIG.6



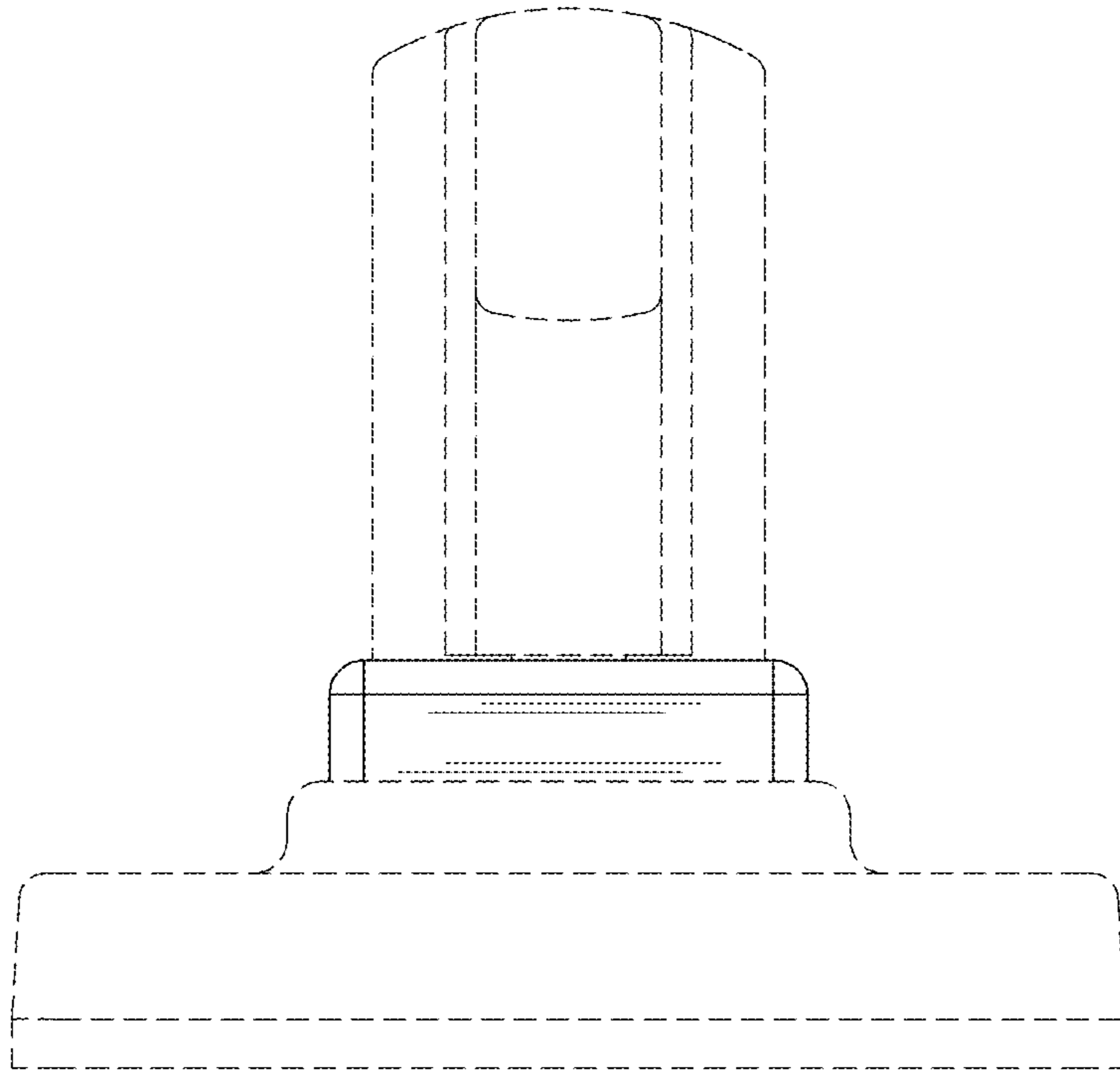


FIG. 7

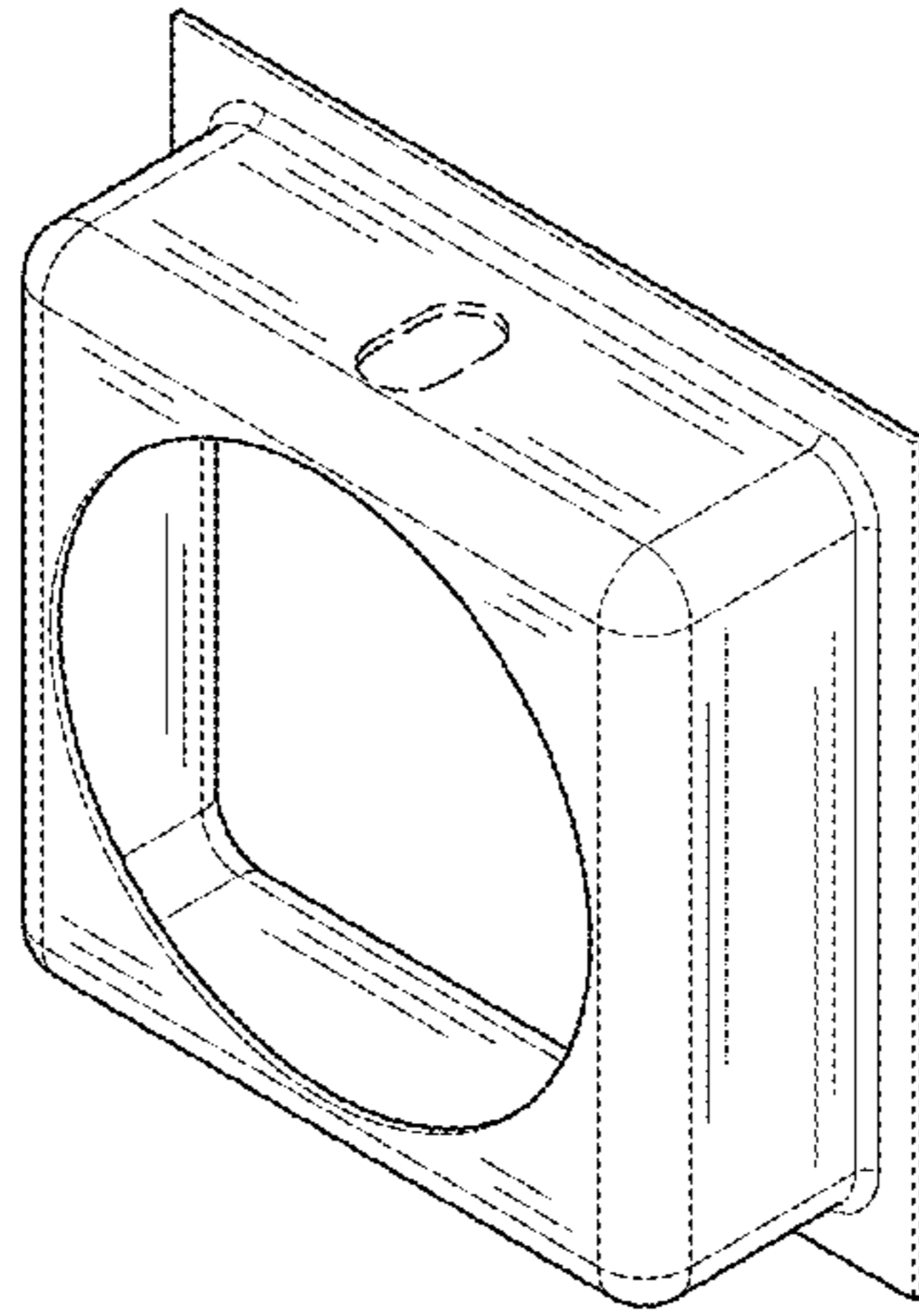


FIG.8

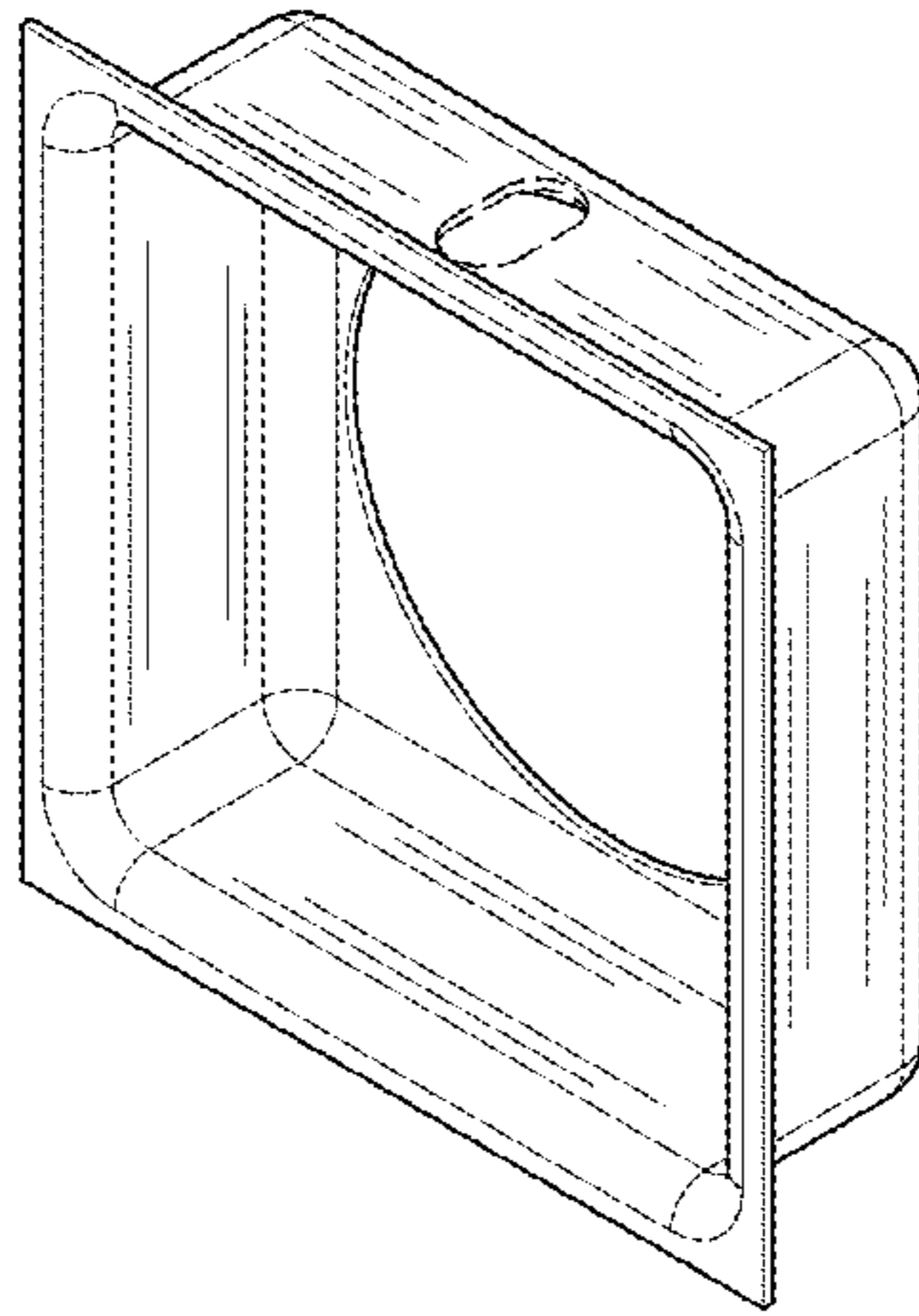


FIG.9