



US00D882374S

(12) **United States Design Patent**  
**Chen**

(10) **Patent No.:** **US D882,374 S**  
(45) **Date of Patent:** **\*\* Apr. 28, 2020**

(54) **PANEL FOR ELECTRONIC LOCK**  
(71) Applicant: **TIGOREX HOSPITALITY COMPANY LIMITED**, Hong Kong (CN)  
(72) Inventor: **Jiayan Chen**, Zhejiang (CN)  
(73) Assignee: **TIGOREX HOSPITALITY COMPANY LIMITED.**, Hong Kong (CN)  
(\*\*) Term: **15 Years**

D520,848 S *	5/2006	Metivier	.....	D8/301
D582,255 S *	12/2008	Turpault	.....	D8/343
D618,081 S *	6/2010	Moyer	.....	D8/330
D634,181 S *	3/2011	Kang	.....	D8/330
D694,091 S *	11/2013	Gartner	.....	D8/330
D771,472 S *	11/2016	Gartner	.....	D8/331
D774,871 S *	12/2016	Gartner	.....	D8/331
9,777,510 B2 *	10/2017	Moller	.....	E05B 39/00
D816,463 S *	5/2018	Chen	.....	D8/334
D820,065 S *	6/2018	Chen	.....	D8/334
D820,066 S *	6/2018	Chen	.....	D8/334
D844,411 S *	4/2019	Griswold	.....	D8/331
D850,237 S *	6/2019	Chen	.....	D8/334
10,415,270 B2 *	9/2019	Lowe	.....	G07C 9/00944
2016/0186465 A1 *	6/2016	Nelson	.....	E05B 17/10 220/210

(21) Appl. No.: **29/644,149**

\* cited by examiner

(22) Filed: **Apr. 16, 2018**

*Primary Examiner* — Steven J Czyz

(30) **Foreign Application Priority Data**

(74) *Attorney, Agent, or Firm* — JCIPRNET

Feb. 13, 2018 (CN) ..... 2018 3 0069715

(51) **LOC (12) Cl.** ..... **08-07**

(52) **U.S. Cl.**  
USPC ..... **D8/334**

(58) **Field of Classification Search**  
USPC ..... D8/330, 331, 332, 333, 334, 336, 337, D8/338, 339, 343, 350, 352; D14/399  
CPC ..... E05B 47/00; E05B 47/0046; E05B 2047/0071; E05B 2047/0083; E05B 2047/0094; E05B 49/00; E05B 73/00; E05B 65/0082; E05B 65/0075  
See application file for complete search history.

(56) **References Cited**

**U.S. PATENT DOCUMENTS**

D388,309 S *	12/1997	Hamilton	.....	D8/330
5,894,277 A *	4/1999	Keskin	.....	E05B 47/00 235/382
D484,390 S *	12/2003	Abernethy	.....	D8/331
D512,898 S *	12/2005	Metivier	.....	D10/106.1
D513,582 S *	1/2006	Osiecki	.....	D8/331

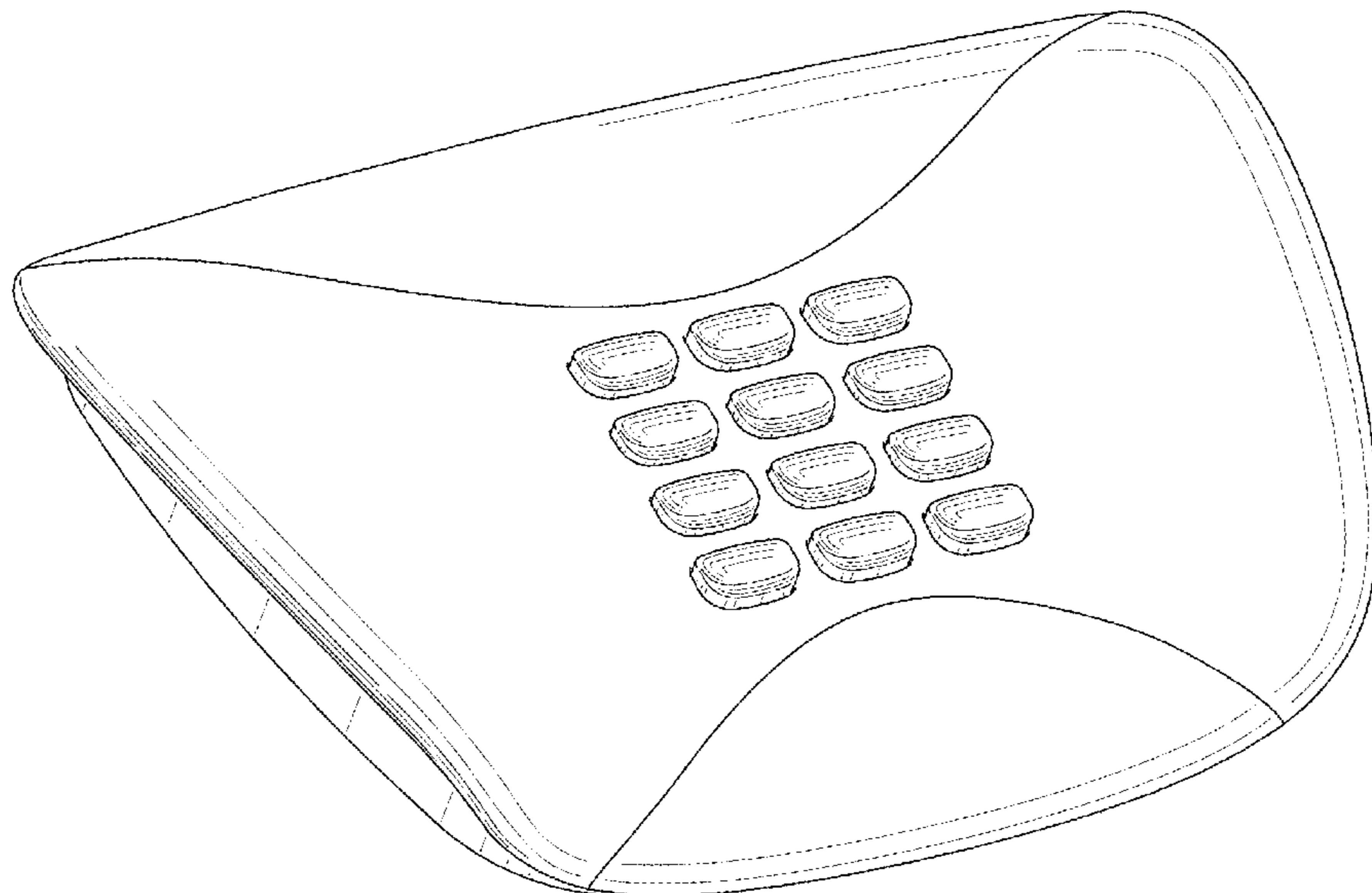
(57) **CLAIM**

The ornamental design for a panel for electronic lock, as shown and described.

**DESCRIPTION**

FIG. 1 is a perspective view of a panel for electronic lock showing my new design;  
FIG. 2 is a front view thereof;  
FIG. 3 is a left side view thereof;  
FIG. 4 is a right side view thereof;  
FIG. 5 is a top view thereof;  
FIG. 6 is a bottom view thereof;  
FIG. 7 is a perspective view of the panel for electronic lock, shown in use with environment; and,  
FIG. 8 is a perspective view of the panel for electronic lock, shown in use with alternate environment.  
A rear view thereof is omitted since it does not contain ornamental features. The broken lines depict environment that forms no part of the claimed design.

**1 Claim, 6 Drawing Sheets**



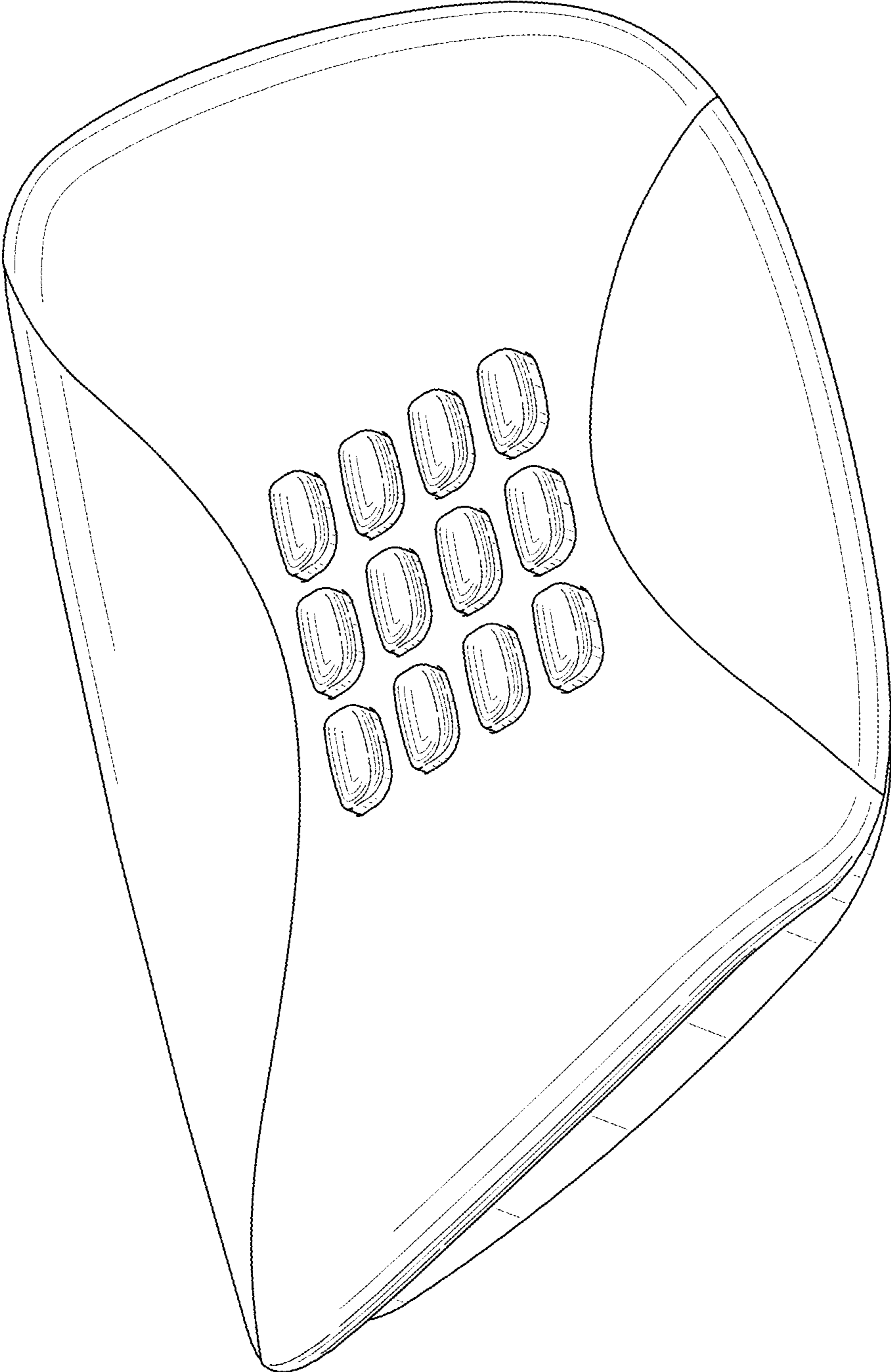


FIG. 1

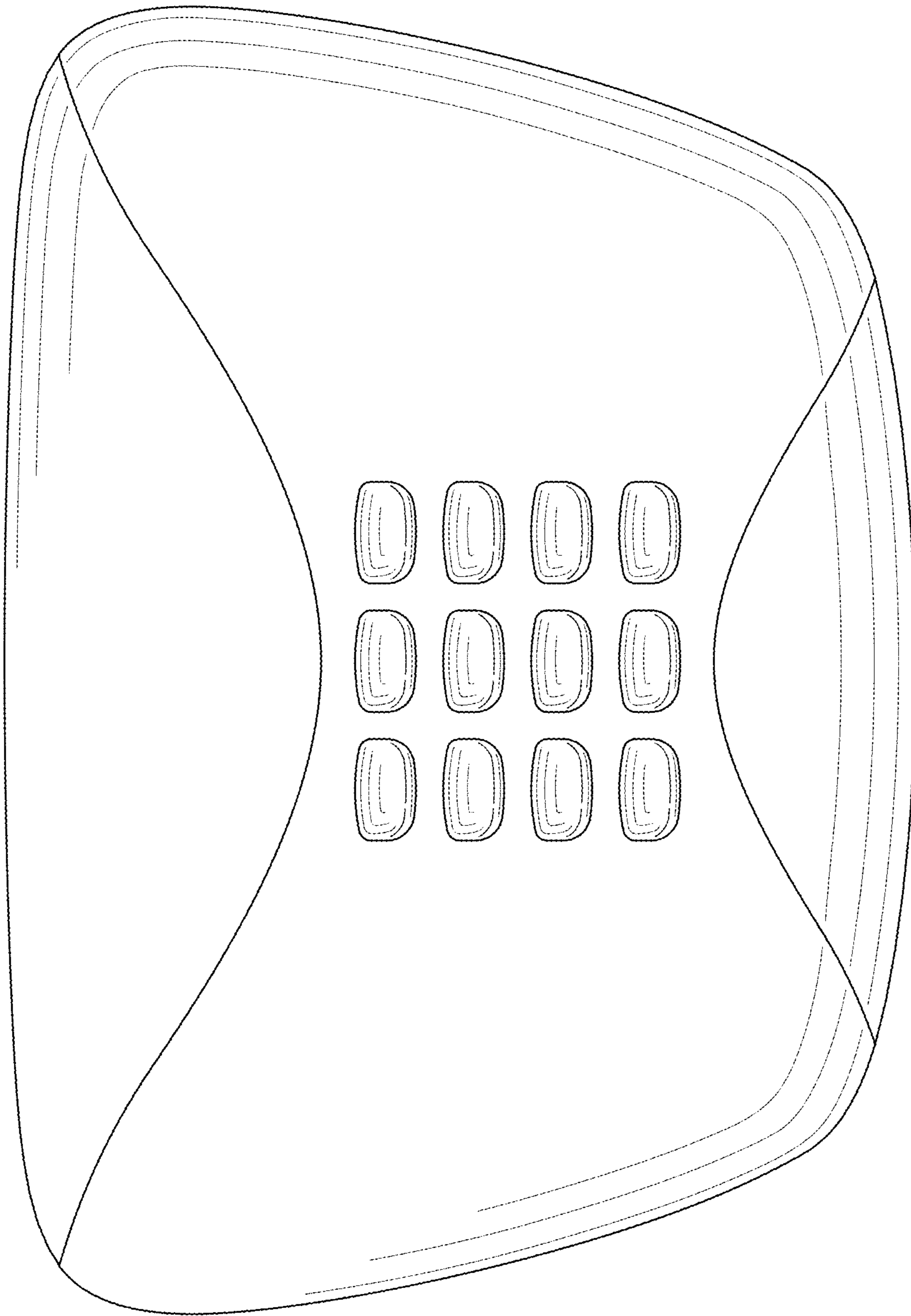


FIG. 2

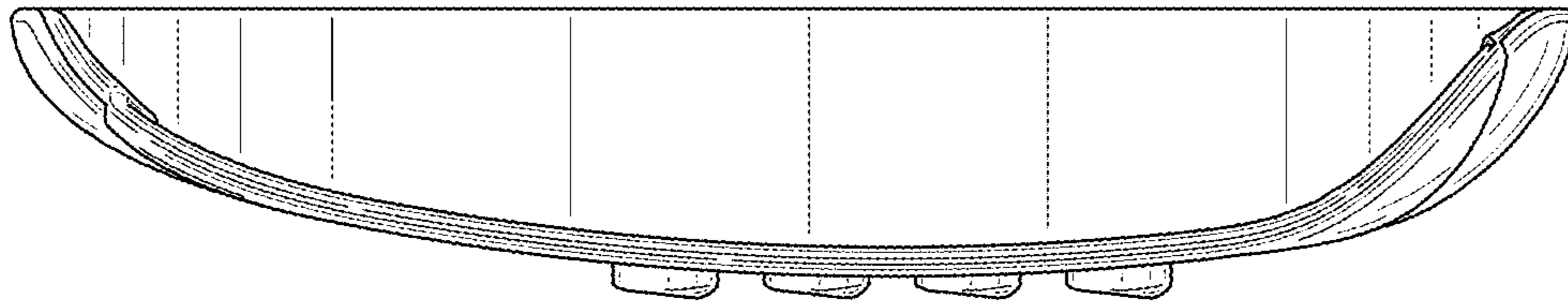


FIG. 4

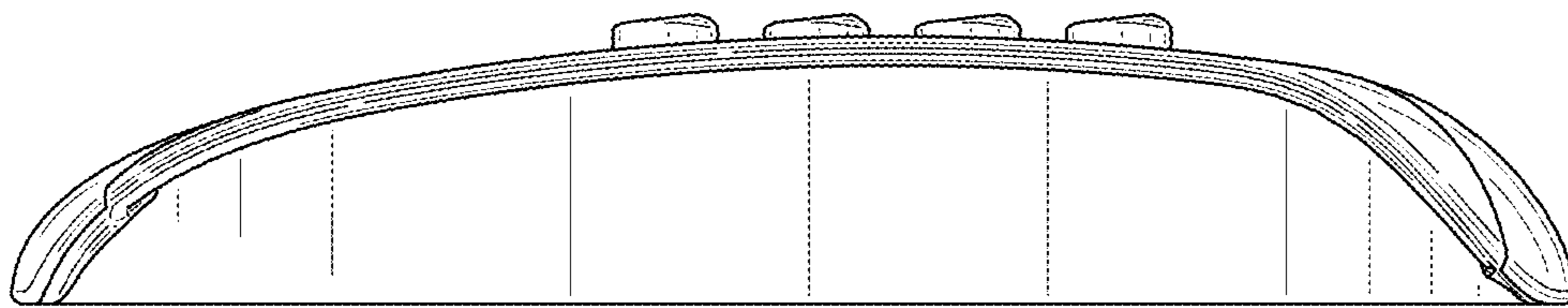


FIG. 3



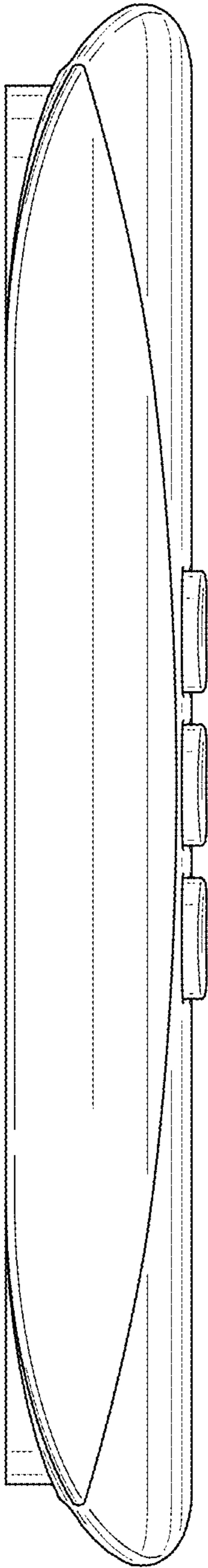


FIG. 5

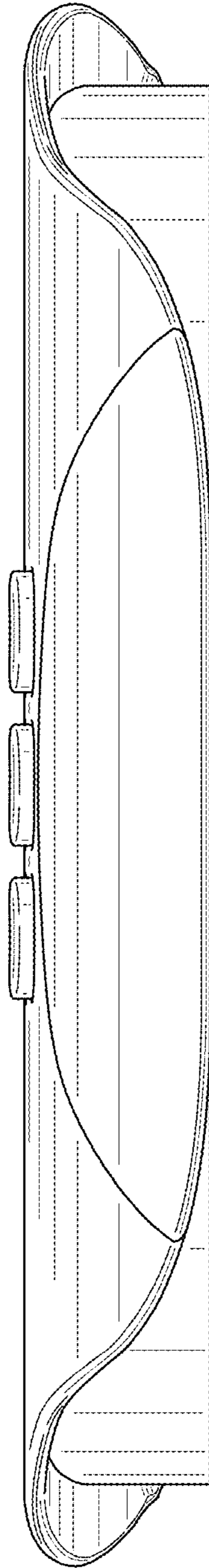


FIG. 6

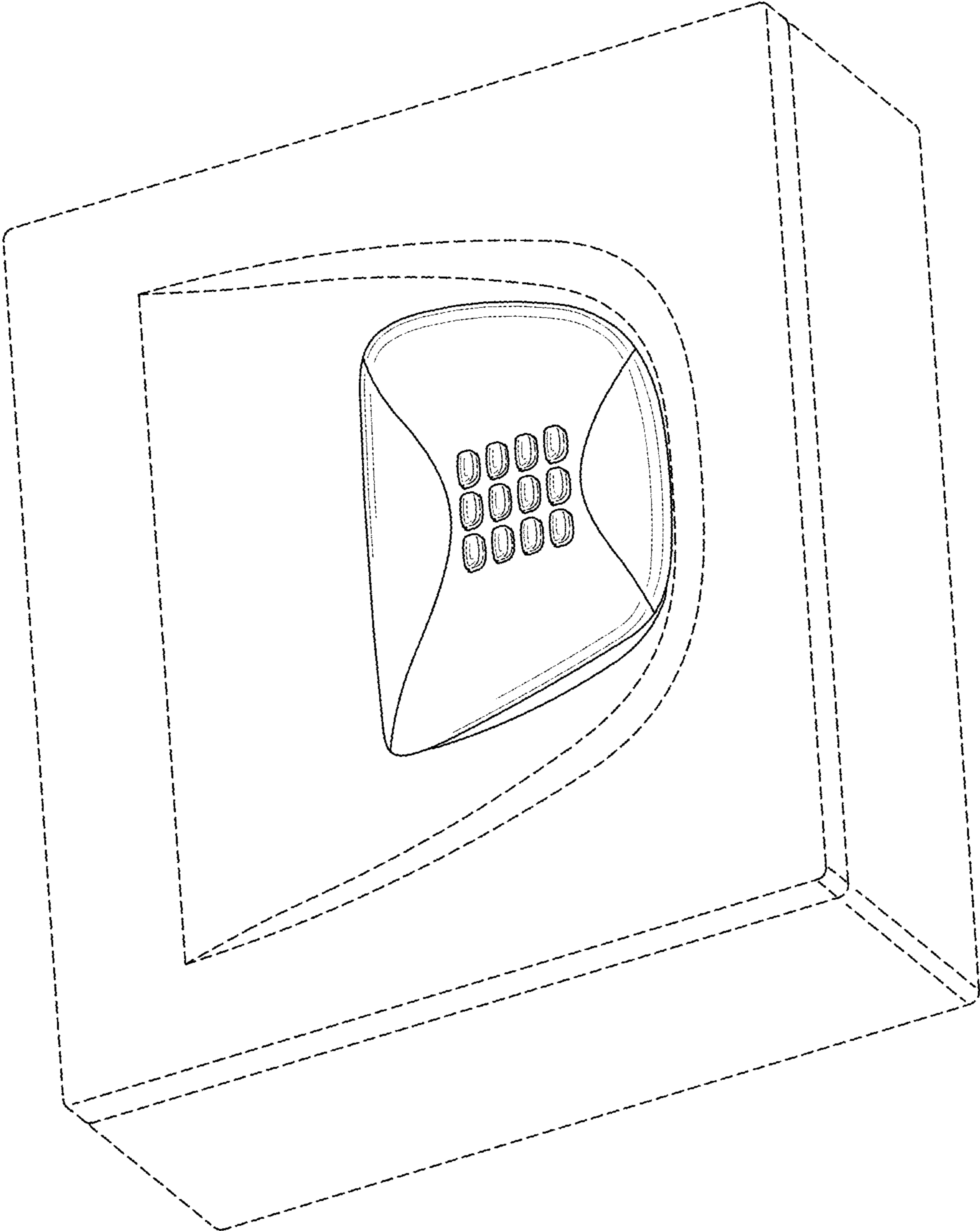


FIG. 7

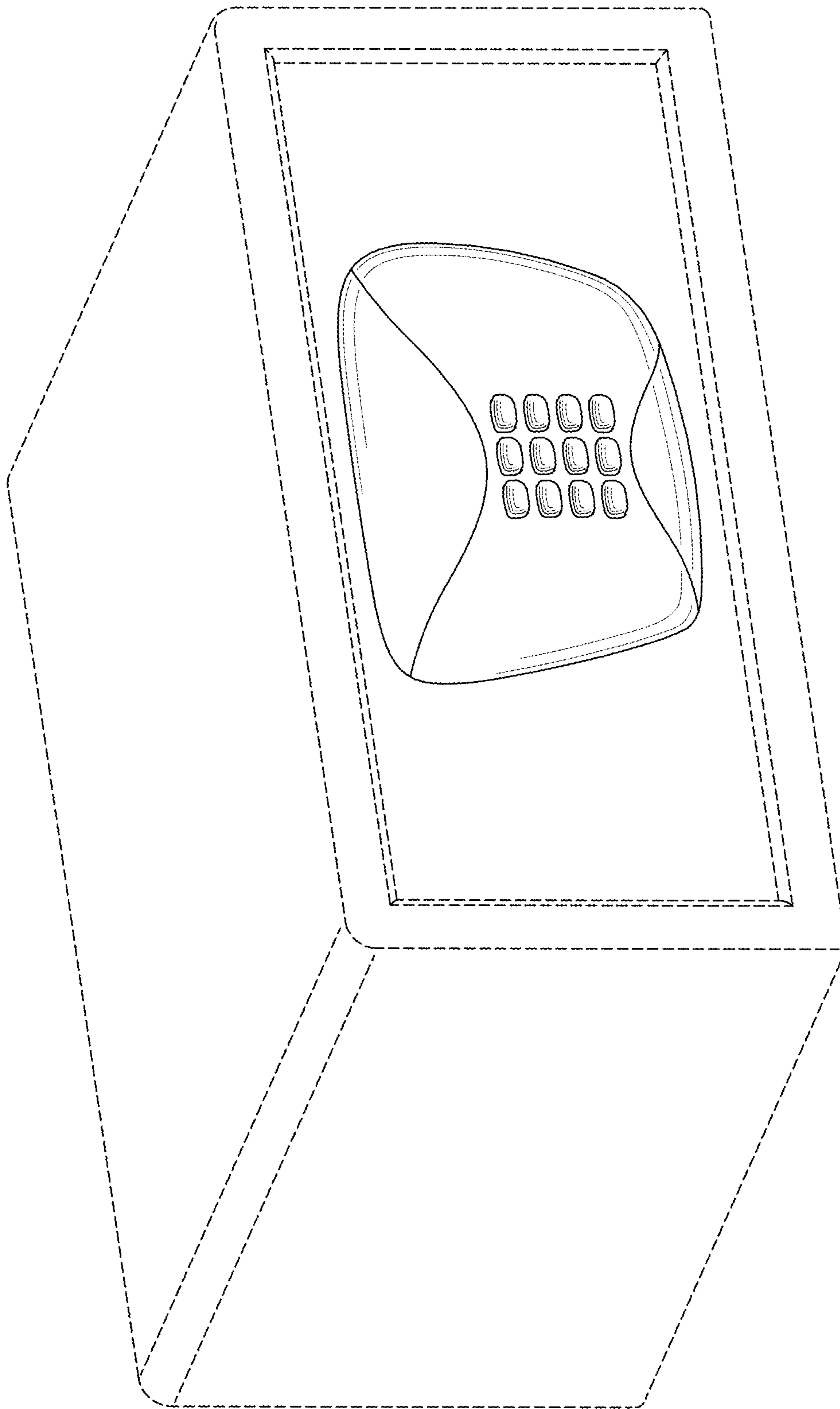


FIG. 8