



US00D882372S

(12) **United States Design Patent**  
**Hanlon**

(10) **Patent No.:** **US D882,372 S**

(45) **Date of Patent:** **\*\* Apr. 28, 2020**

- (54) **HANDLE FOR UTILITY STAND**
- (71) Applicant: **JS Products, Inc.**, Las Vegas, NV (US)
- (72) Inventor: **Jared W. Hanlon**, Las Vegas, NV (US)
- (73) Assignee: **JS Products, Inc.**, Las Vegas, NV (US)
- (\*\*) Term: **15 Years**

D651,803 S	1/2012	Wu	
D681,954 S	5/2013	Jiang	
D691,808 S	10/2013	Wu	
D695,016 S	12/2013	Moon	
D712,152 S	9/2014	Tong	
D730,057 S *	5/2015	Tong	D3/318
D756,120 S	5/2016	Horovitz	
D773,819 S *	12/2016	Sener	D3/318
D813,008 S	3/2018	Stefnitz	

(Continued)

- (21) Appl. No.: **29/689,887**
- (22) Filed: **May 2, 2019**

**Related U.S. Application Data**

- (62) Division of application No. 29/545,595, filed on Nov. 13, 2015, now Pat. No. Des. 853,822.
- (51) **LOC (12) Cl.** ..... **08-06**
- (52) **U.S. Cl.**  
USPC ..... **D8/319**
- (58) **Field of Classification Search**  
USPC ..... D8/315-322; D3/318, 321, 322, 328,  
D3/216, 217, 273, 276, 279, 281, 282,  
D3/291; 294/159, 167, 170, 171, 137  
CPC ..... A45C 2013/265; A45C 2013/267; A45C  
13/28; A45C 13/22; A45C 2013/226;  
A45C 2013/223; B65D 25/28  
See application file for complete search history.

(56) **References Cited**

**U.S. PATENT DOCUMENTS**

3,923,191 A *	12/1975	Johnson	.....	B65D 25/2867 220/760
D267,275 S *	12/1982	Horgan, Jr.	.....	D25/48.3
D267,276 S *	12/1982	Horgan, Jr.	.....	D25/48.3
D290,935 S	7/1987	Williams		
6,918,475 B2	7/2005	Lin		
D553,364 S	10/2007	Moon		
D575,511 S *	8/2008	Moon	.....	D3/318
D600,998 S *	9/2009	De Maria	.....	D8/336
D637,398 S	5/2011	Jiang		

**OTHER PUBLICATIONS**

My Tool Store.com Protocol 92779 Multi-Pack / Miter Saw Handle and GFCI, Copyright 2016, Webpage Address (<http://www.mytoolstore.com/JS-Products-92779-Multi-Pack-Miter-Saw-Handle-and-GFCI>).

*Primary Examiner* — Keli L Hill

*Assistant Examiner* — Harold E Blackwell, II

(74) *Attorney, Agent, or Firm* — Weide & Miller, Ltd.

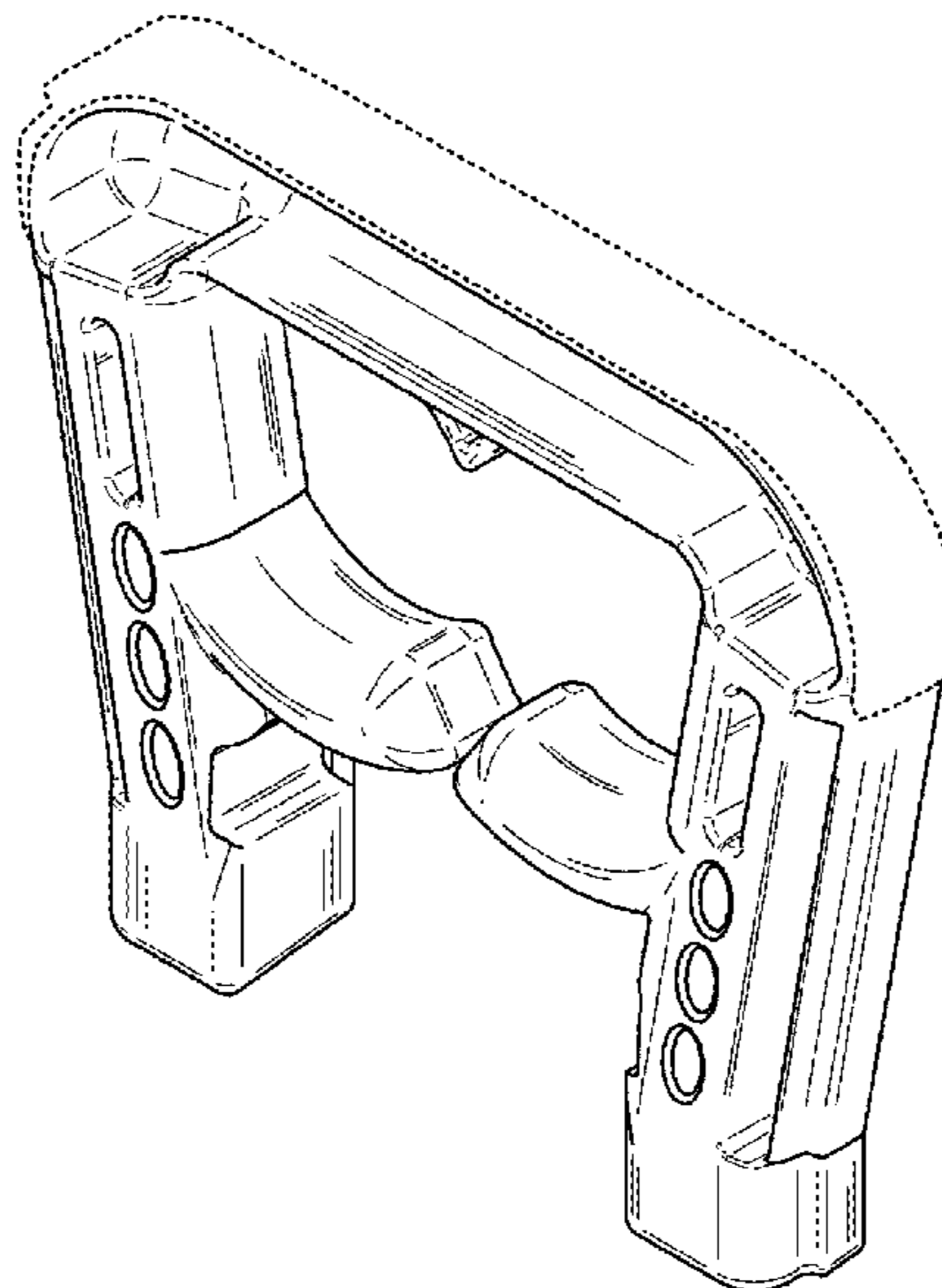
(57) **CLAIM**

The ornamental design for a handle for a utility stand, as shown and described.

**DESCRIPTION**

FIG. 1 is a top perspective view of a handle for a utility stand;  
 FIG. 2 is a bottom perspective view of the handle for a utility stand;  
 FIG. 3 is a front view of the handle for a utility stand;  
 FIG. 4 is a back side view of the handle for a utility stand;  
 FIG. 5 is a left side view of the handle for a utility stand;  
 FIG. 6 is a right side view of the handle for a utility stand;  
 FIG. 7 is a top view of the handle for a utility stand; and,  
 FIG. 8 is a bottom view of the handle for a utility stand.  
 The broken lines indicate unclaimed portions of the article and form no part of the claimed design.

**1 Claim, 3 Drawing Sheets**



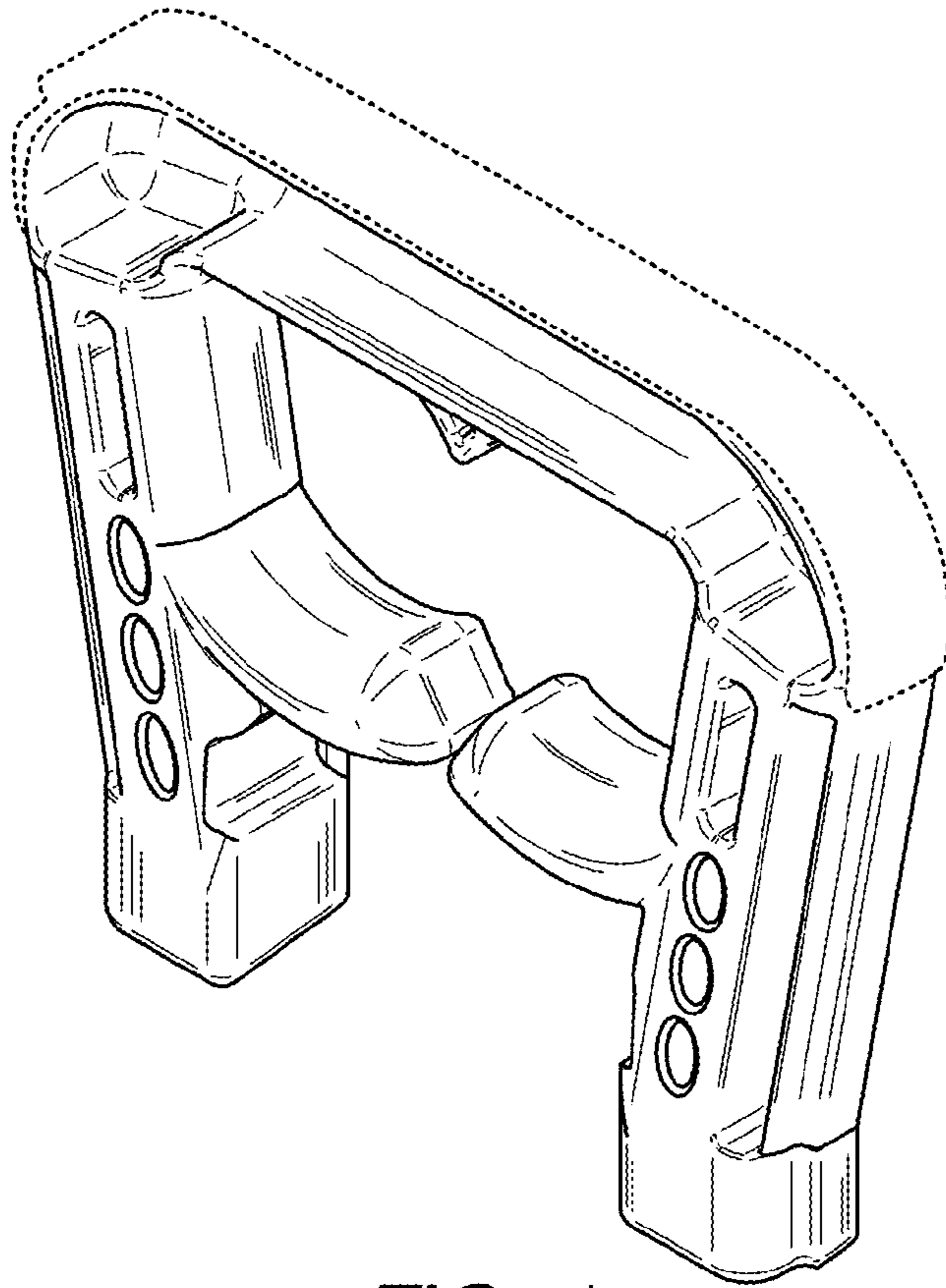
(56)

**References Cited**

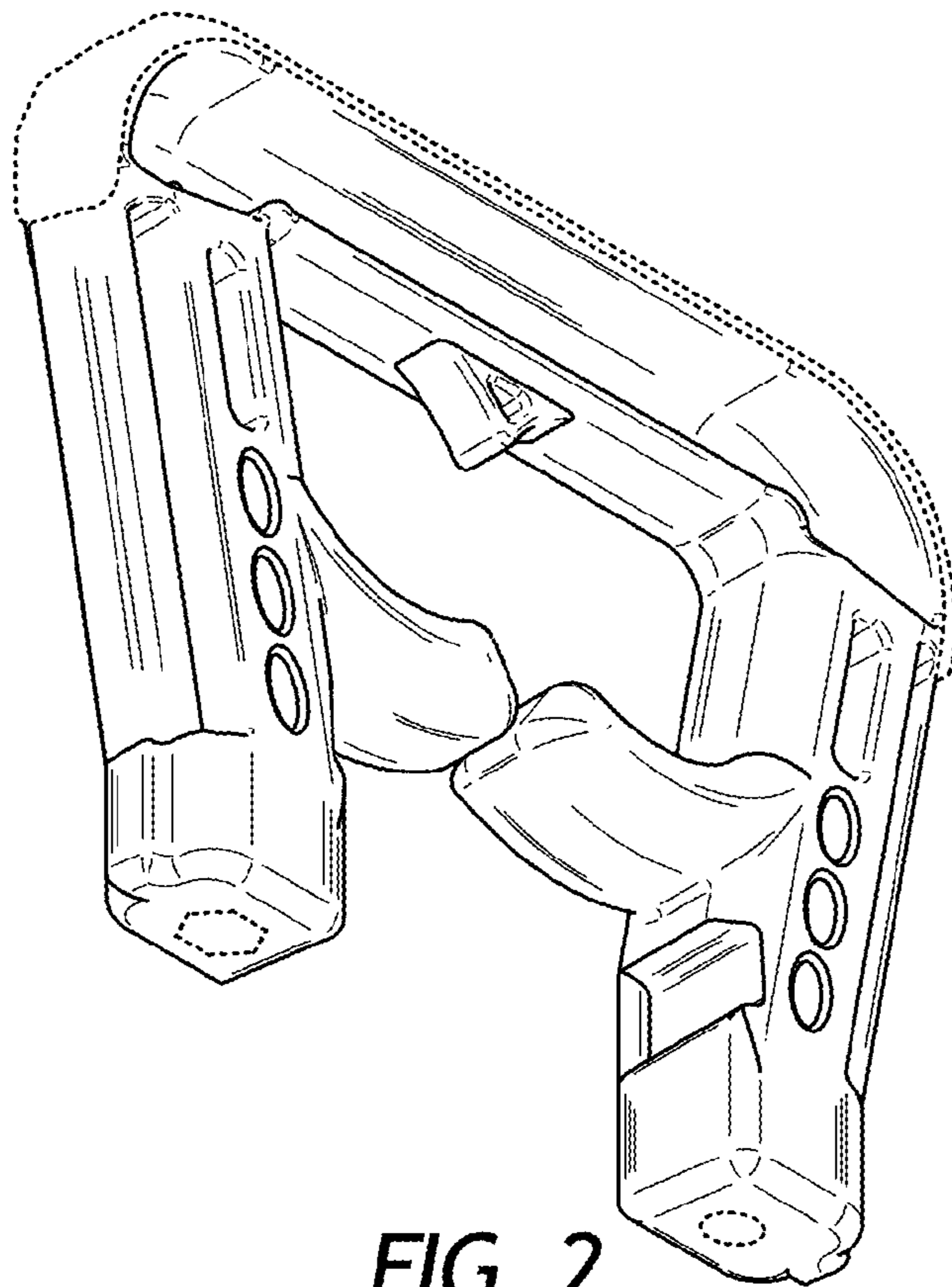
U.S. PATENT DOCUMENTS

9,962,825	B2	5/2018	Gonzales	
D820,597	S *	6/2018	Chen .....	D3/318
D839,429	S	1/2019	Diaz Carmena et al.	
D839,430	S	1/2019	Diaz Carmena et al.	
D853,822	S *	7/2019	Hanlon .....	D8/319
2003/0000786	A1 *	1/2003	Lau .....	A45C 13/262 190/115

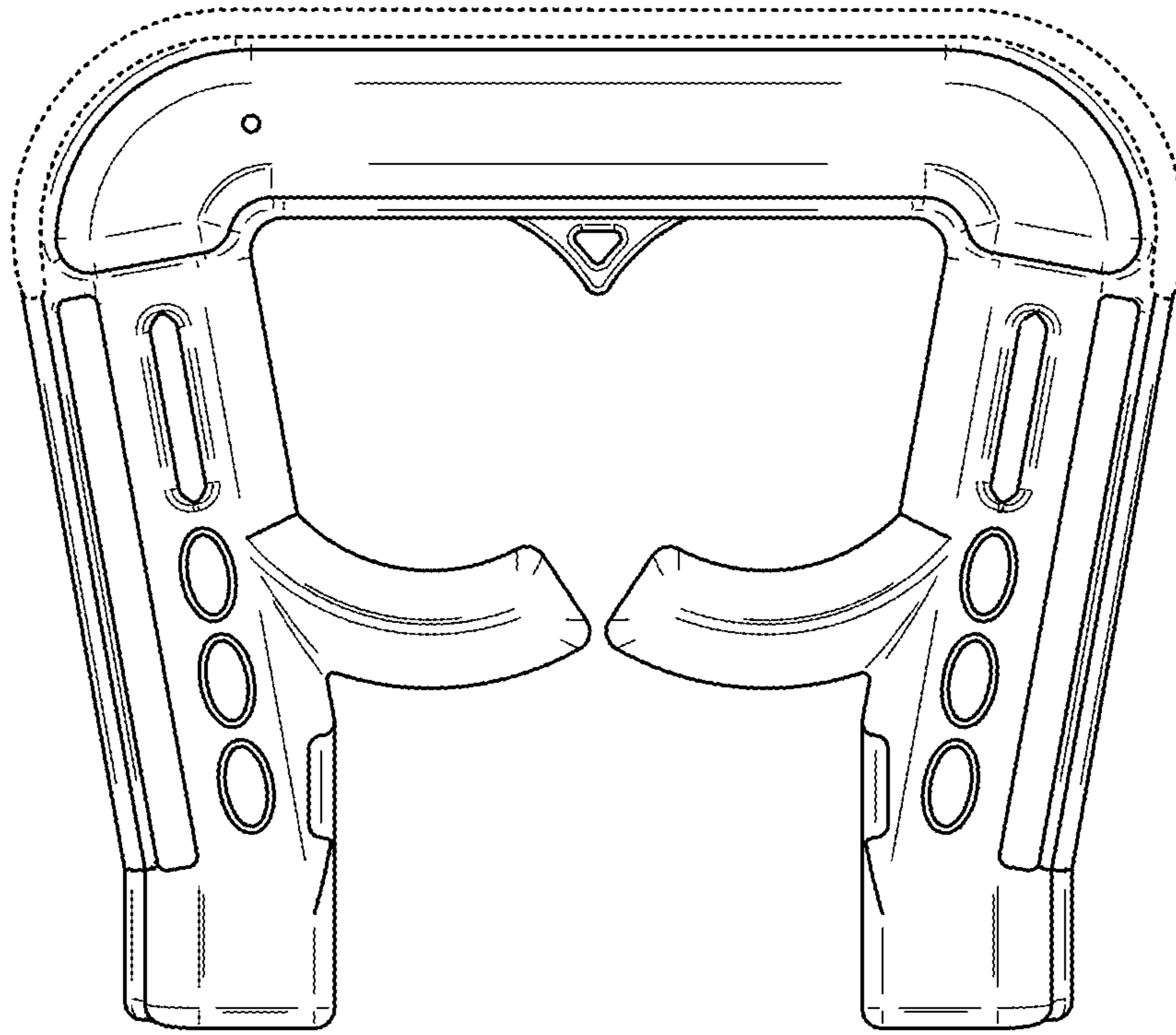
\* cited by examiner



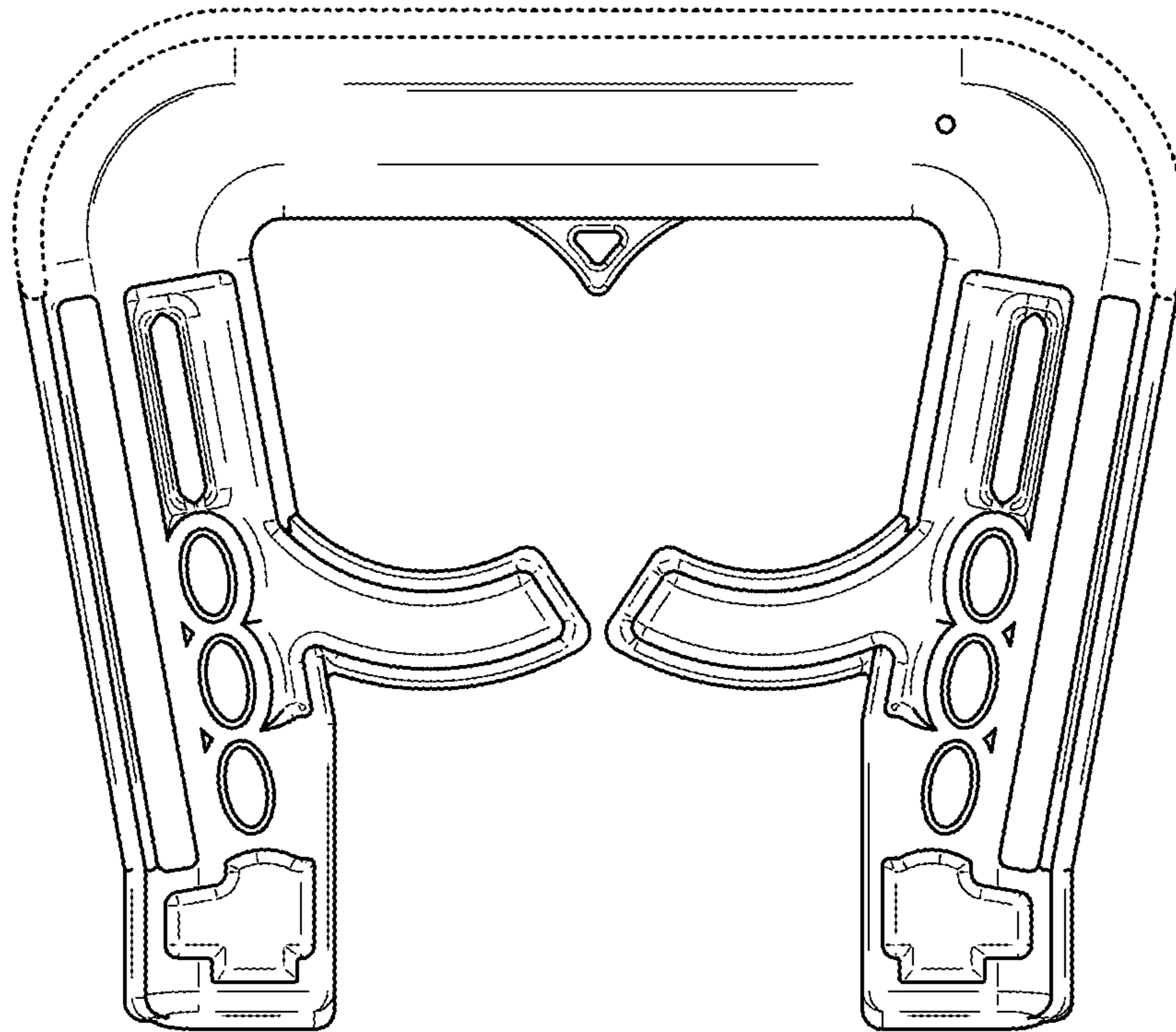
**FIG. 1**



**FIG. 2**

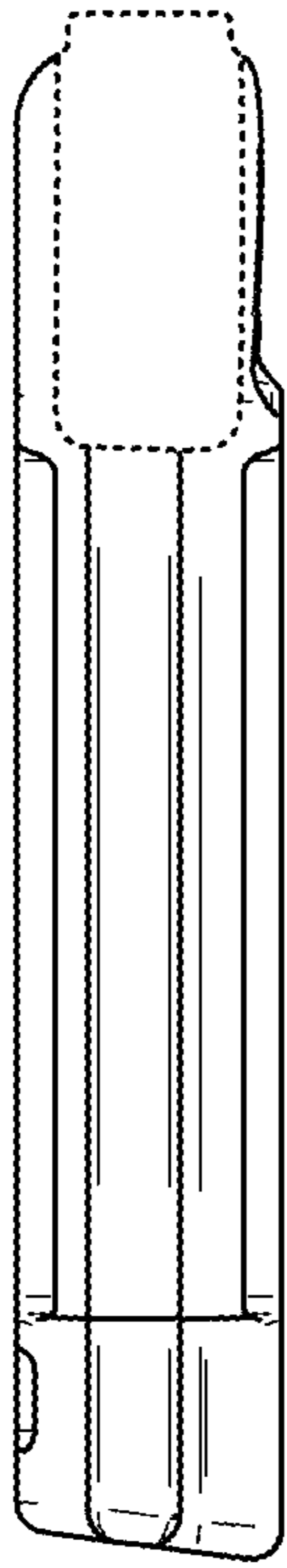


**FIG. 3**

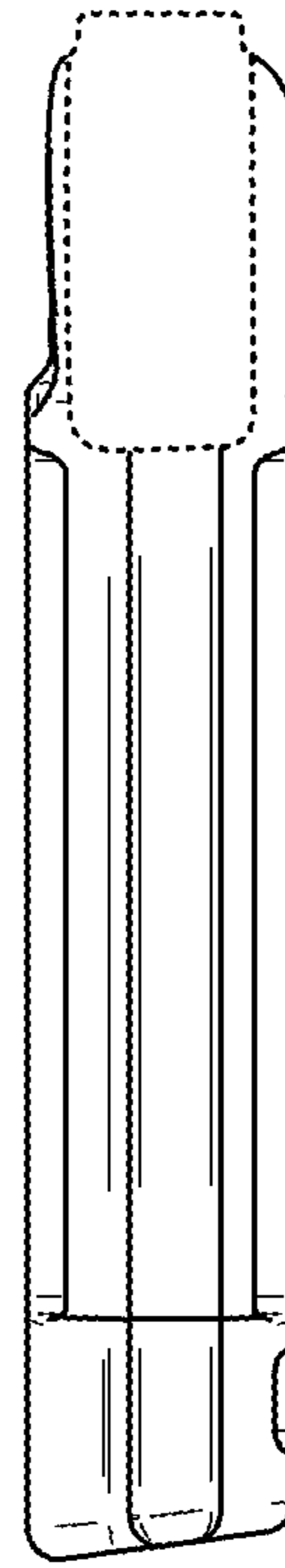


**FIG. 4**

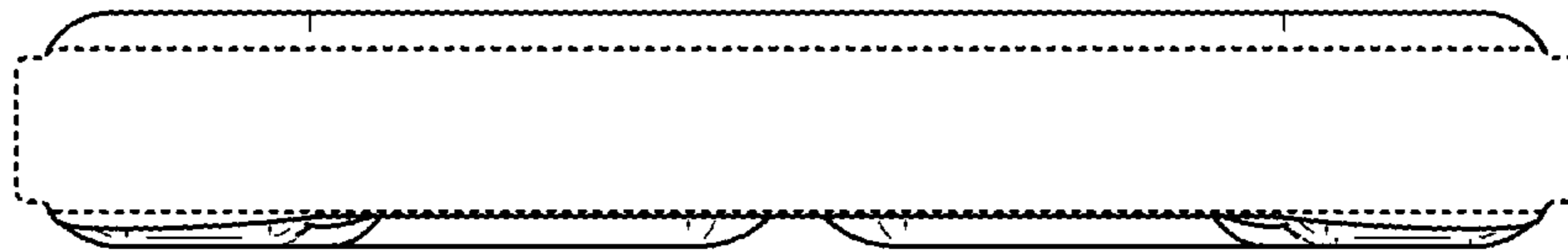




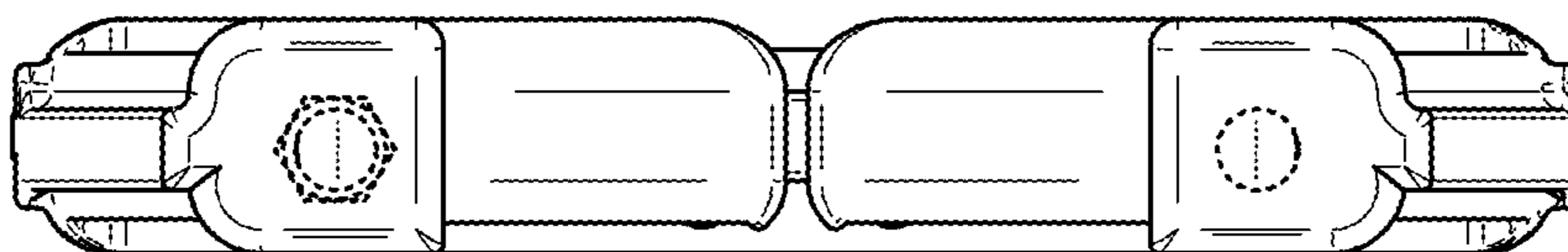
**FIG. 5**



**FIG. 6**



**FIG. 7**



**FIG. 8**