



US00D882371S

(12) **United States Design Patent**
Clark et al.

(10) **Patent No.:** **US D882,371 S**
(45) **Date of Patent:** **** Apr. 28, 2020**

- (54) **HANDLE GRIP**
- (71) Applicant: **LeRoy Tool & Die, Inc.**, LeRoy, MI (US)
- (72) Inventors: **Marlow Clark**, Arcadia, MI (US);
Terry Robert Wanstead, LeRoy, MI (US)
- (73) Assignee: **LeRoy Tool & Die, Inc.**, LeRoy, MI (US)
- (**) Term: **15 Years**
- (21) Appl. No.: **29/680,096**
- (22) Filed: **Feb. 13, 2019**
- (51) **LOC (12) Cl.** **08-06**
- (52) **U.S. Cl.**
USPC **D8/303**
- (58) **Field of Classification Search**
USPC D8/107, 300, 303, 307, 311, 312, 315;
D7/395; D9/434; D3/328
CPC Y10T 16/469; Y10T 16/476; Y10T 74/20828; Y10T 74/20822; Y10T 16/466; Y10T 16/4713; Y10T 16/4707; Y10T 16/44; Y10T 74/2078; Y10T 74/20732; Y10T 74/20864; Y10T 16/4559; Y10T 74/2028; Y10T 292/57; Y10T 16/4576; Y10T 408/96; Y10T 74/20612; Y10T 407/1825; Y10T 74/20642; Y10T 408/65; Y10T 70/5872; Y10T 74/2042; Y10T 74/20396; Y10T 29/53943; Y10T 403/1649; B25G 1/102; B25G 1/10; B25G 1/105; B25G 3/00; B25G 1/085
See application file for complete search history.

- 5,771,536 A * 6/1998 Sieg A47J 37/0786
16/431
- D411,432 S * 6/1999 Stahel D8/303
- D436,828 S * 1/2001 Benktzon D8/107
- 6,336,255 B1 * 1/2002 Gallup A45F 5/102
16/110.1
- 6,405,409 B1 6/2002 Zirella
- 7,174,605 B1 2/2007 Nawrocki
- 7,387,324 B1 6/2008 Sharpe
- RE41,098 E * 2/2010 Yu B62K 21/26
403/362
- 7,805,813 B1 * 10/2010 Bunyard A47J 45/072
16/110.1
- D671,407 S * 11/2012 Fay D9/434
- D725,986 S * 4/2015 May D8/303
- 9,387,580 B1 7/2016 Reitano
- D775,926 S * 1/2017 Atkins D8/303
- 9,914,560 B2 3/2018 Cartlidge
- D860,755 S * 9/2019 Wildes D8/303

(Continued)

Primary Examiner — Lauren R Calve

(74) *Attorney, Agent, or Firm* — Oppenhuizen Law PLC;
David L. Oppenhuizen

(57) **CLAIM**

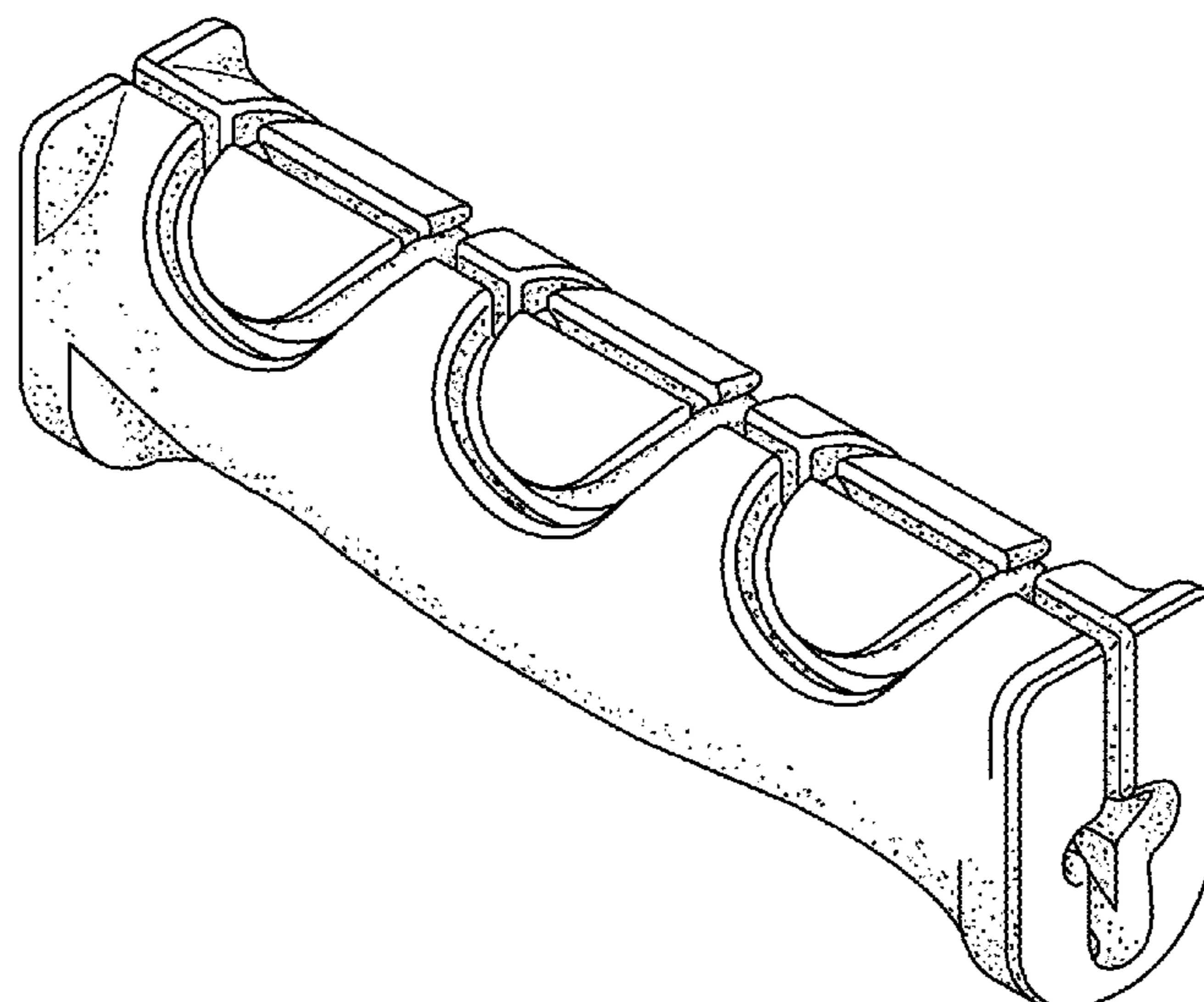
The ornamental design for a handle grip, as shown and described.

DESCRIPTION

FIG. 1 is a front perspective view of a handle grip showing the new design;
 FIG. 2 is a front view, the rear view being a mirror image thereof;
 FIG. 3 is a right view, the left view being a mirror image thereof;
 FIG. 4 is a top view; and,
 FIG. 5 is a bottom view.
 The stippling in the drawings represents shading and not a surface pattern.

1 Claim, 2 Drawing Sheets

- (56) **References Cited**
U.S. PATENT DOCUMENTS
5,060,998 A * 10/1991 Phillips A45F 3/14
294/146
D362,181 S * 9/1995 Meyers 294/171



(56)

References Cited

U.S. PATENT DOCUMENTS

2006/0087139 A1* 4/2006 Ayres A45F 5/1026
294/137
2007/0039407 A1* 2/2007 Wu B62K 21/26
74/543
2008/0184839 A1* 8/2008 Negri B62K 11/14
74/489
2014/0292011 A1* 10/2014 Liszkiewicz A45F 5/1046
294/171
2015/0257518 A1* 9/2015 Burkman A45F 5/1046
294/171
2017/0073114 A1* 3/2017 Carlidge B65D 25/32

* cited by examiner

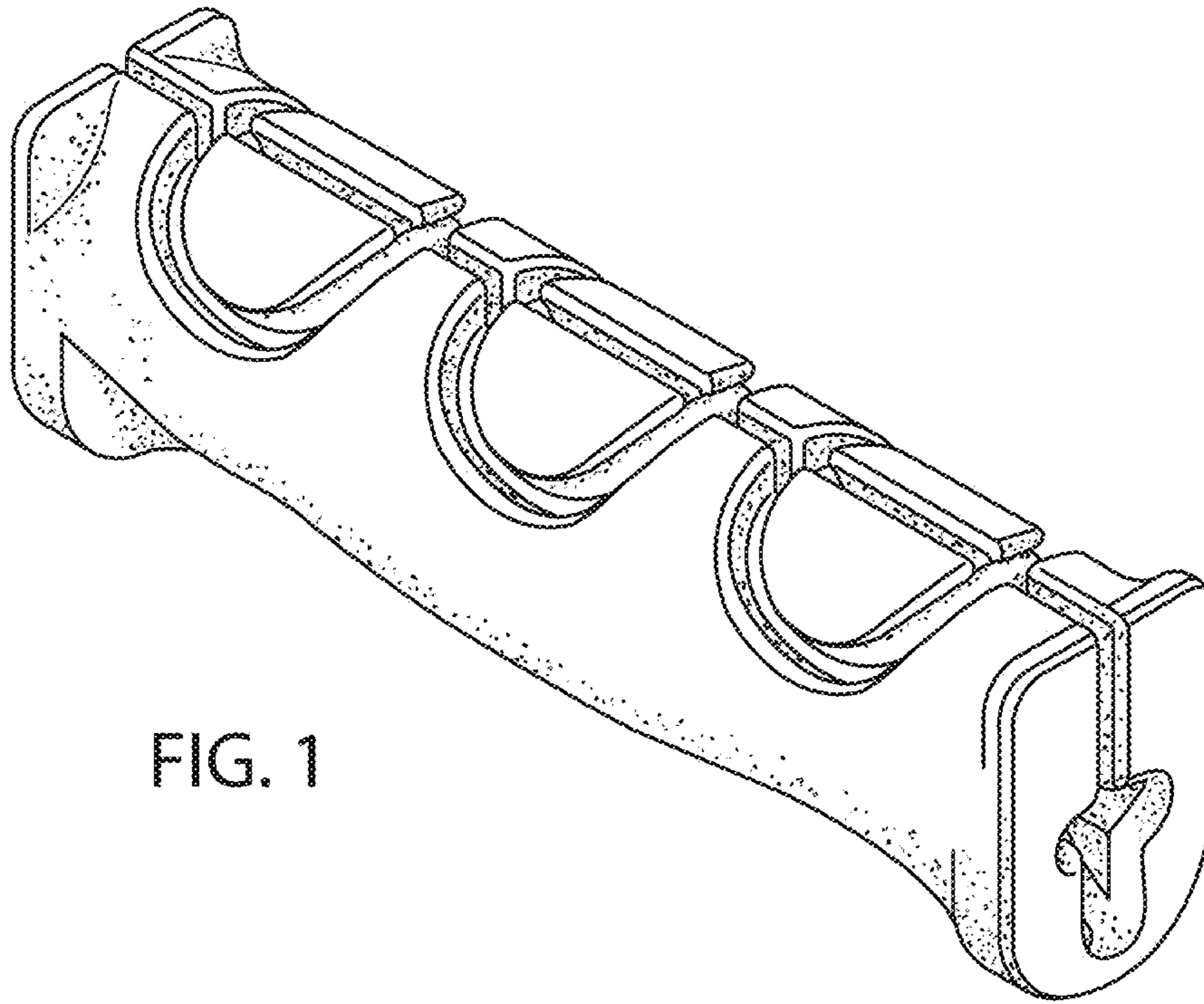


FIG. 1

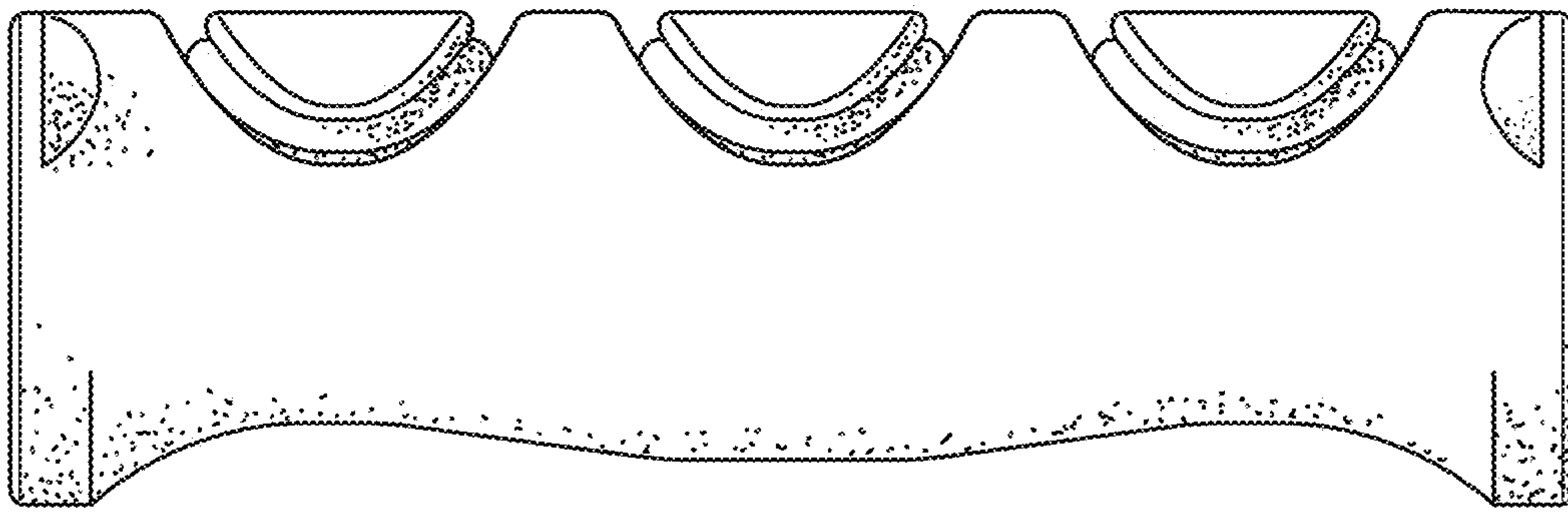


FIG. 2

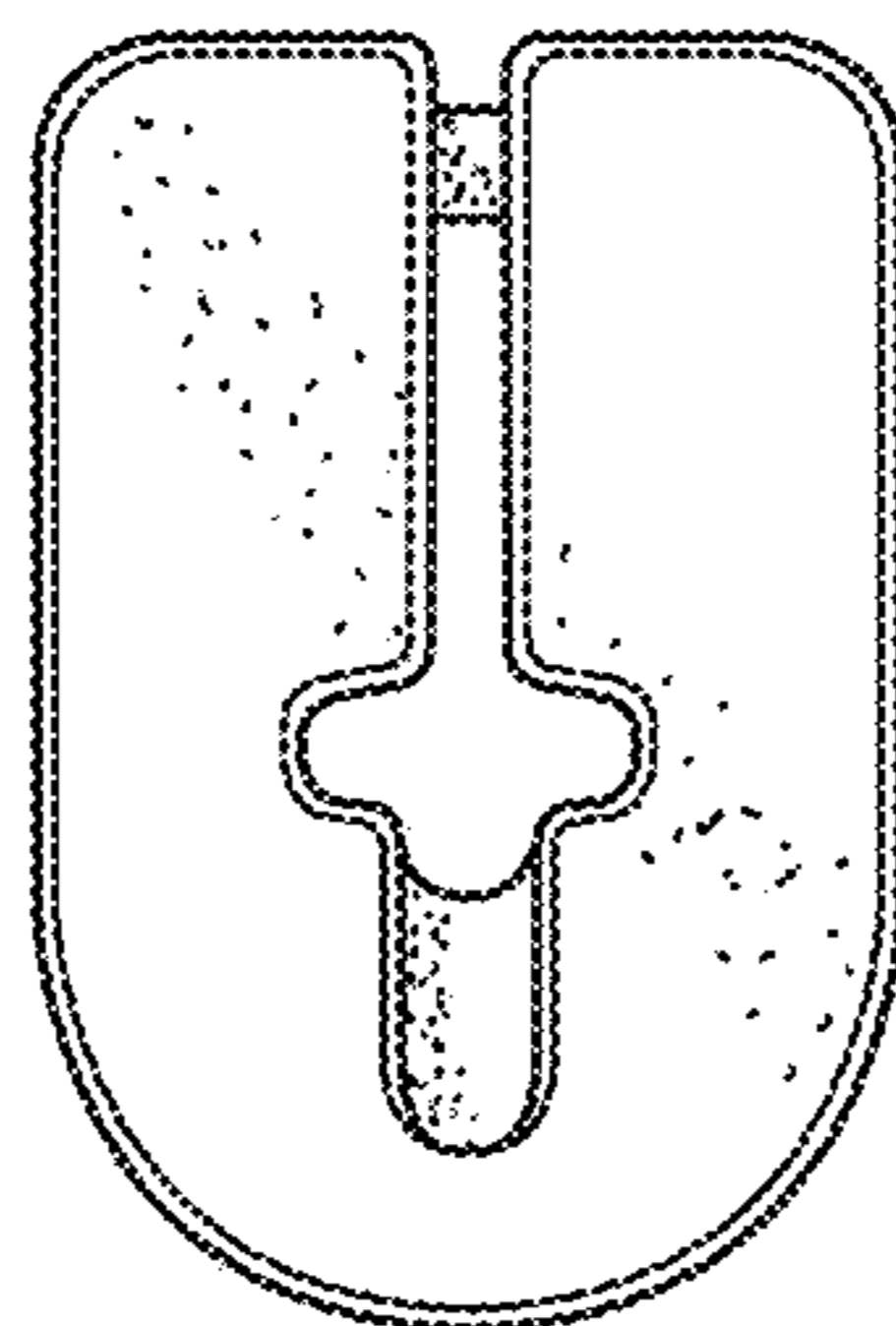


FIG. 3

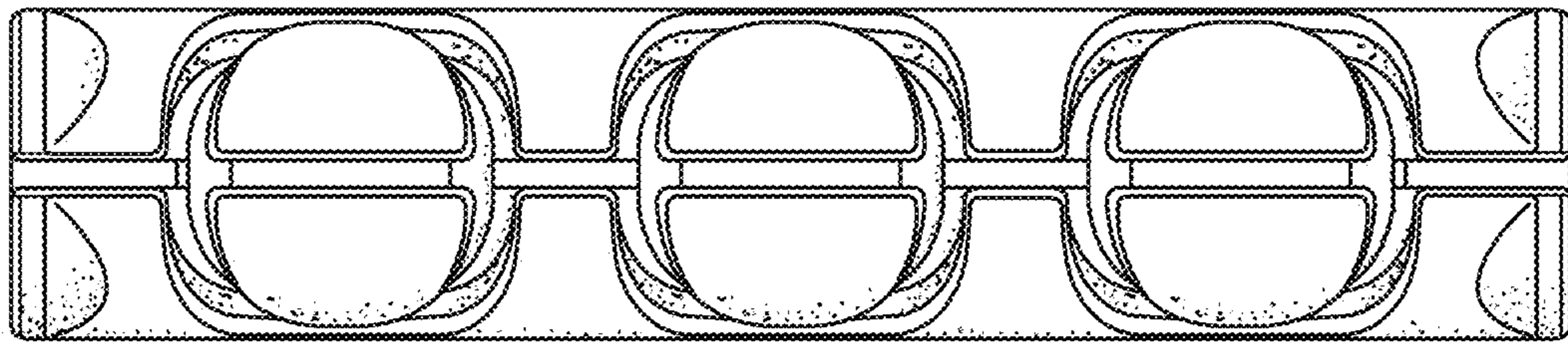


FIG. 4

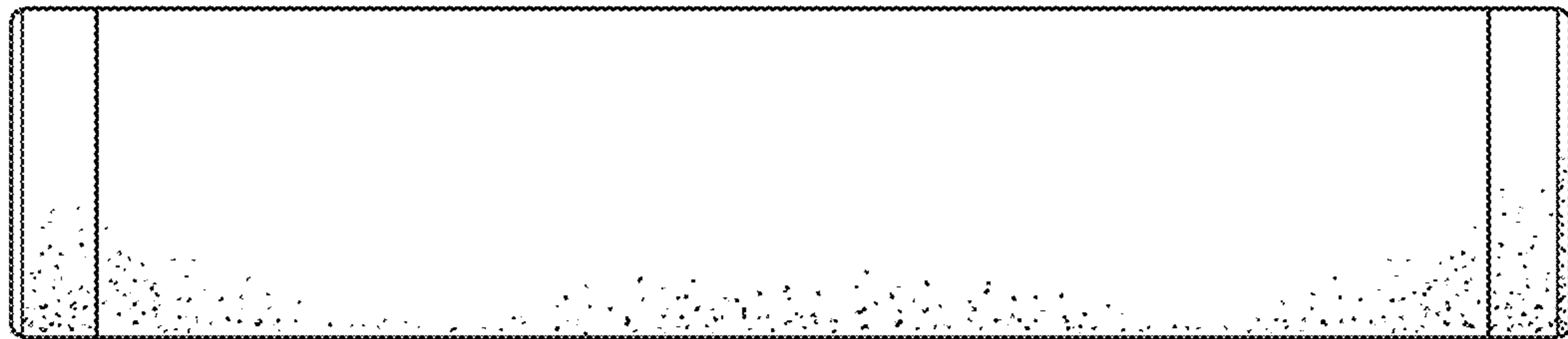


FIG. 5