



US00D882369S

(12) **United States Design Patent**  
**Adelman et al.**

(10) **Patent No.:** **US D882,369 S**

(45) **Date of Patent:** **\*\* Apr. 28, 2020**

(54) **MULTI-TOOL**

(71) Applicant: **Greyfin LLC**, Boulder, CO (US)

(72) Inventors: **Gregory Marc Adelman**, Boulder, CO (US); **Peter Christopher Trench**, Boulder, CO (US)

(73) Assignee: **Greyfin LLC**, Boulder, CO (US)

(\*\*) Term: **15 Years**

(21) Appl. No.: **29/645,973**

(22) Filed: **Apr. 30, 2018**

(51) **LOC (12) Cl.** ..... **08-05**

(52) **U.S. Cl.**  
USPC ..... **D8/105**; D8/16; D8/356

(58) **Field of Classification Search**  
USPC .... D8/105, 38, 55, 14-19, 21, 53, 100, 103,  
D8/26, 34, 87, 99, 356, 28; D3/210;  
D11/218; D30/152-153  
CPC .. B25B 15/008; B25F 1/00; B25F 1/02; B25F  
1/04; F16B 45/02  
See application file for complete search history.

(56) **References Cited**

**U.S. PATENT DOCUMENTS**

D444,685 S \* 7/2001 Shenkel ..... D3/208  
D739,713 S \* 9/2015 Kelleghan ..... D8/356

D758,824 S \* 6/2016 Kelleghan ..... D8/105  
D765,495 S \* 9/2016 Schmid ..... D8/356  
D772,029 S \* 11/2016 Spater ..... D8/18  
D807,725 S \* 1/2018 Chalfant ..... D8/105  
D808,240 S \* 1/2018 Kelleghan ..... D8/105  
D848,813 S \* 5/2019 Kelleghan ..... D8/105  
2014/0059782 A1 \* 3/2014 Duncan ..... B25F 1/00  
7/138

\* cited by examiner

*Primary Examiner* — Janice Hallmark

(74) *Attorney, Agent, or Firm* — Sterne, Kessler,  
Goldstein & Fox P.L.L.C.

(57) **CLAIM**

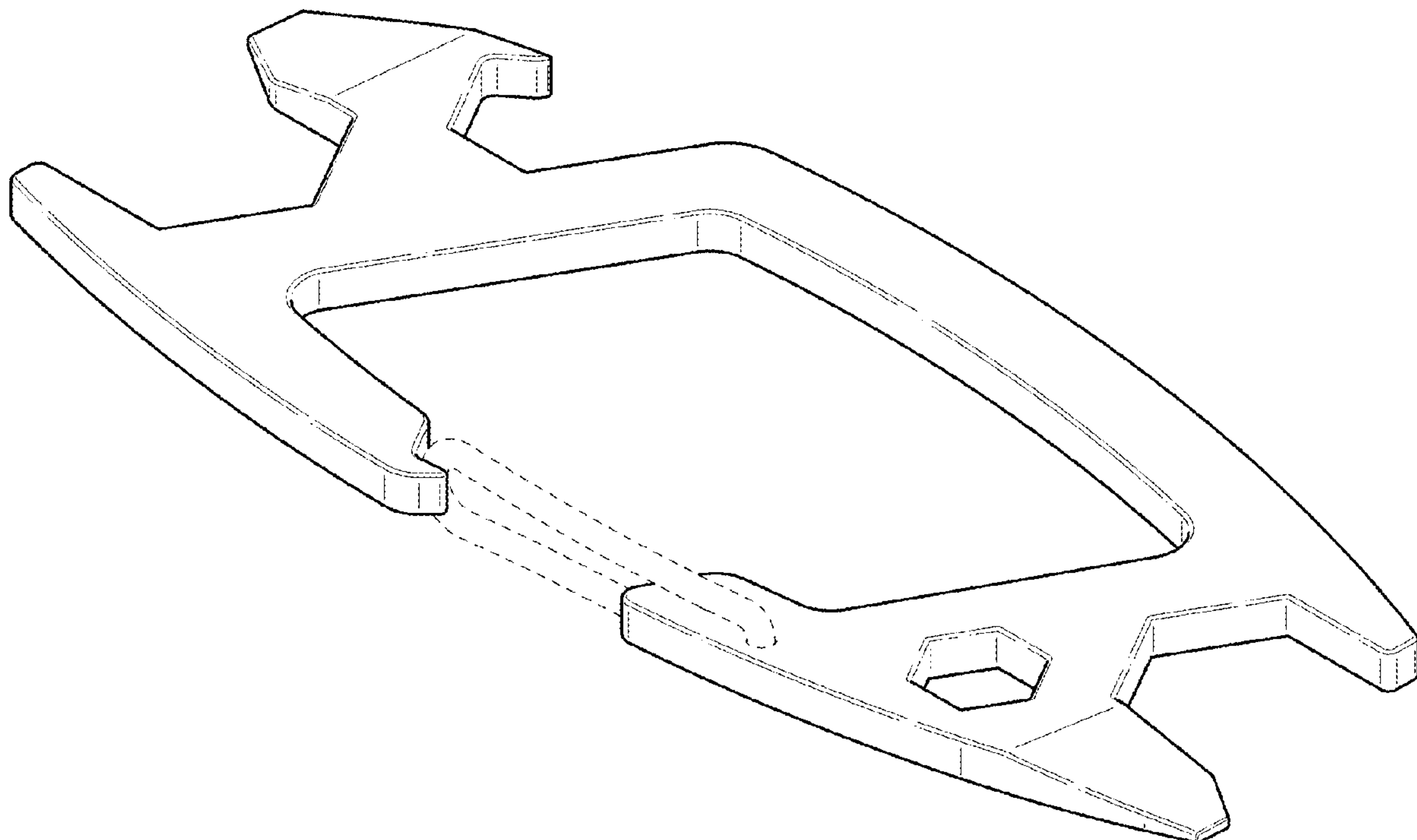
The ornamental design for a multi-tool, as shown and described.

**DESCRIPTION**

FIG. 1 is a top front perspective view of a multi-tool showing the claimed design;  
FIG. 2 is a front view thereof;  
FIG. 3 is a rear view thereof;  
FIG. 4 is a left side view thereof;  
FIG. 5 is a right side view thereof;  
FIG. 6 is a top view thereof; and,  
FIG. 7 is a bottom view thereof.

The broken lines in the figures show portions of the multi-tool that form no part of the claimed design.

**1 Claim, 5 Drawing Sheets**



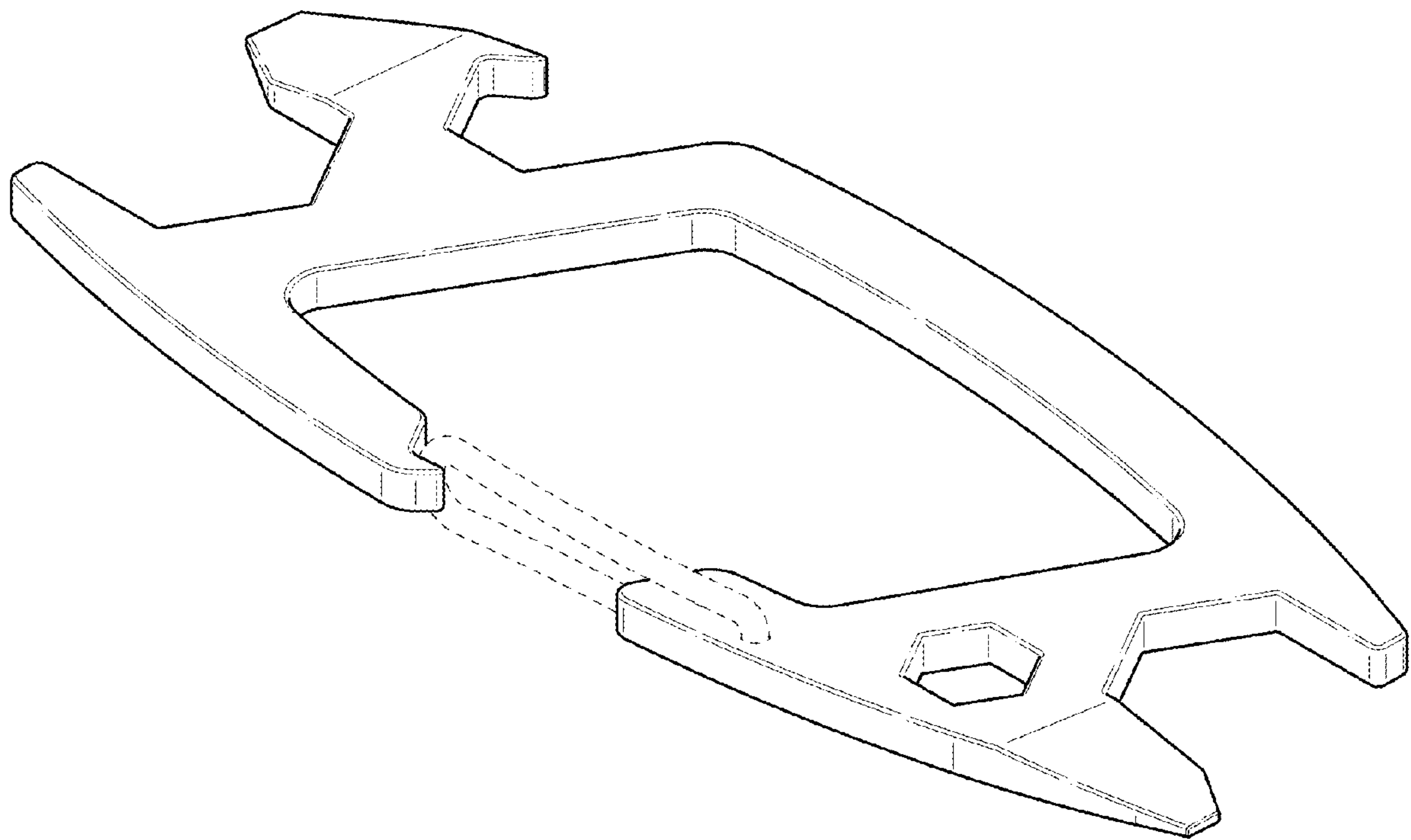


FIG. 1

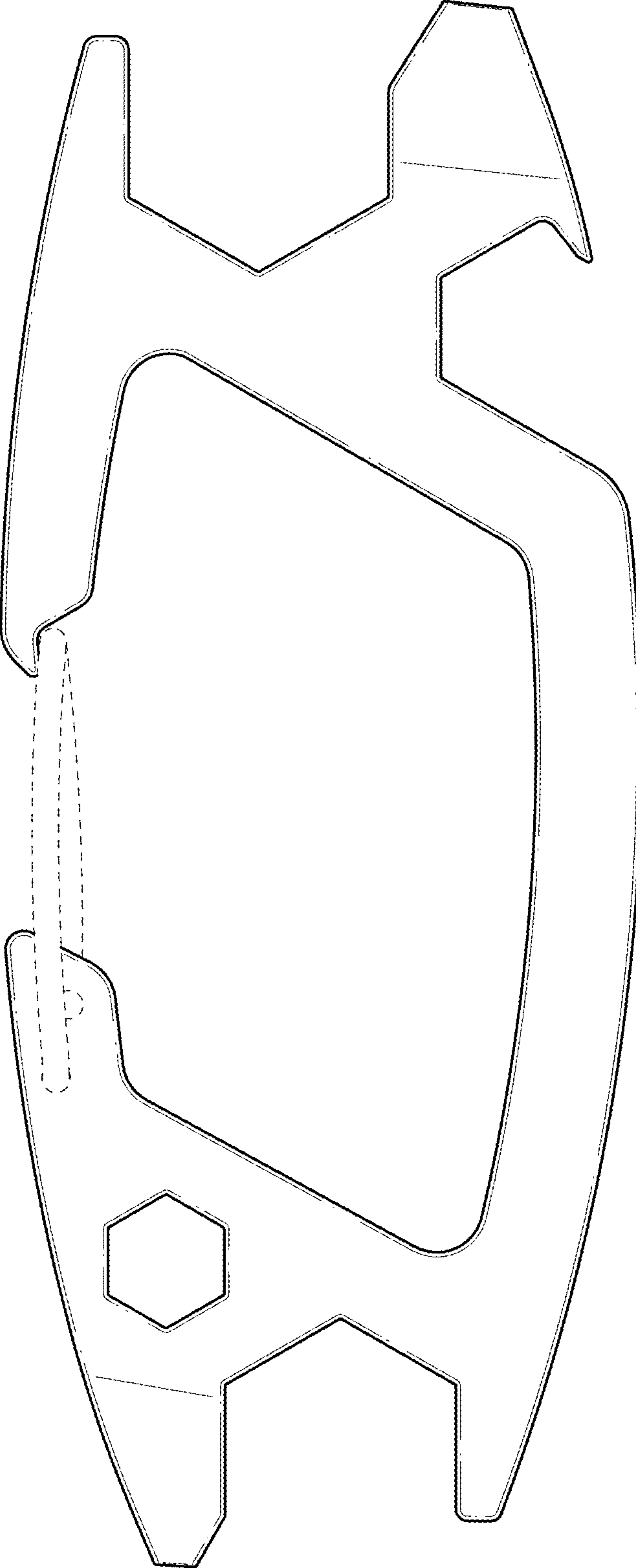


FIG. 2

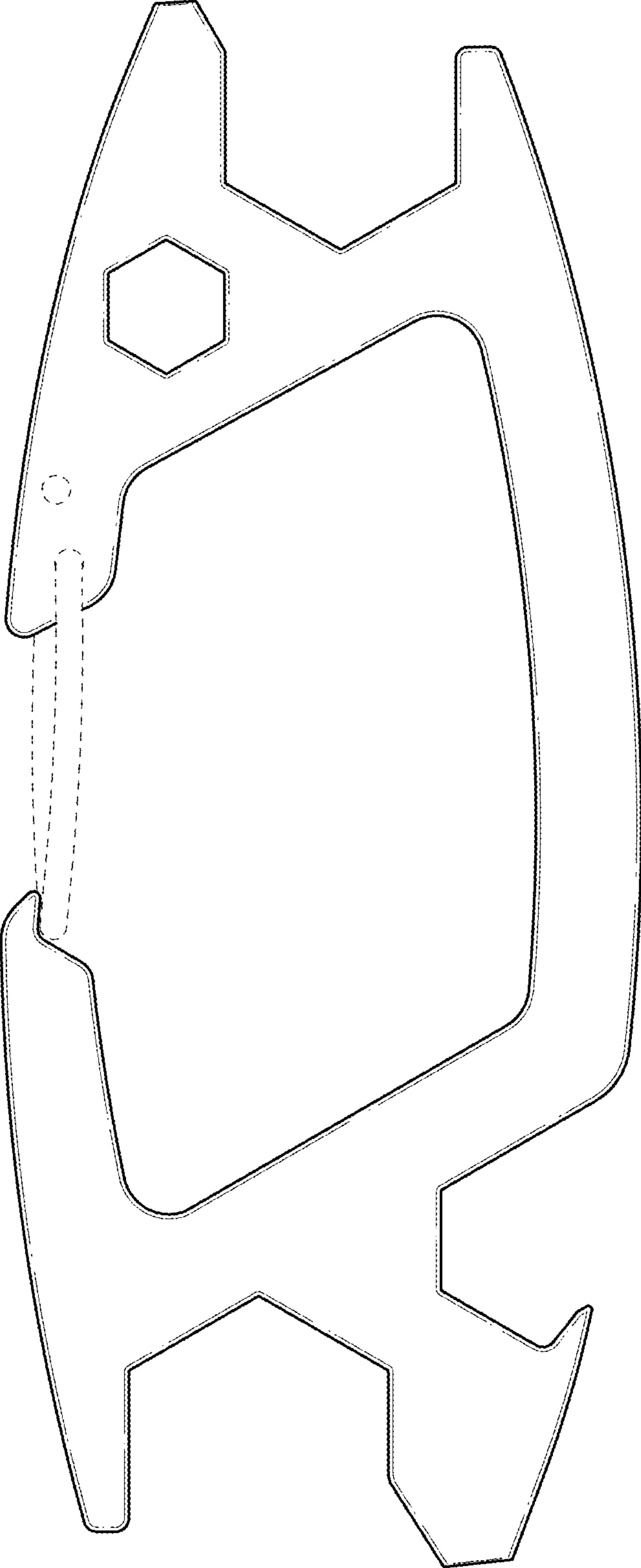
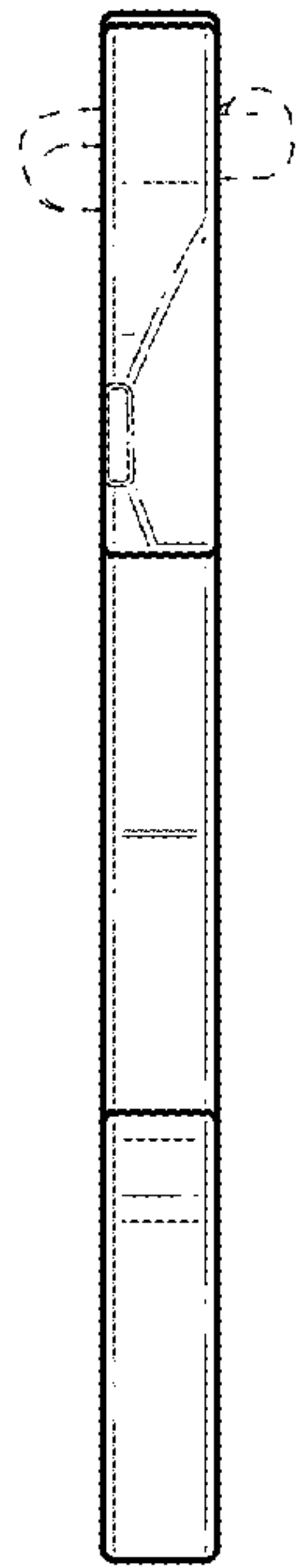
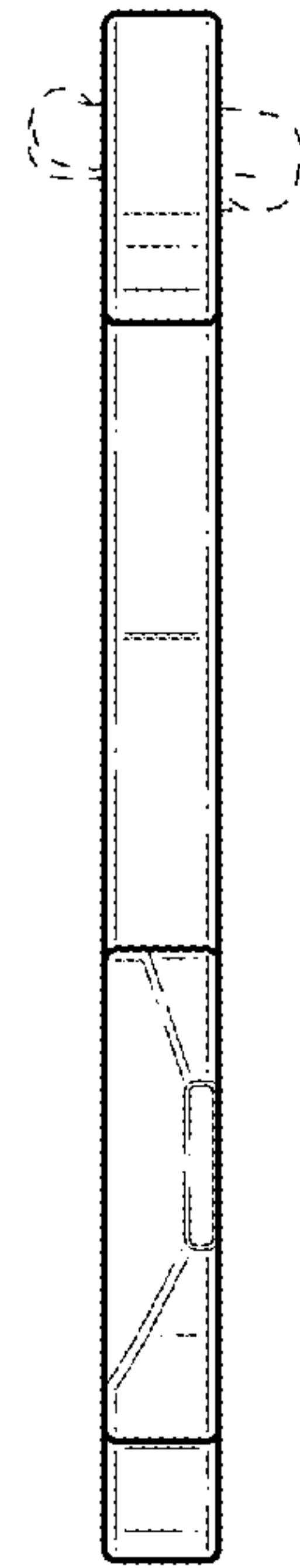


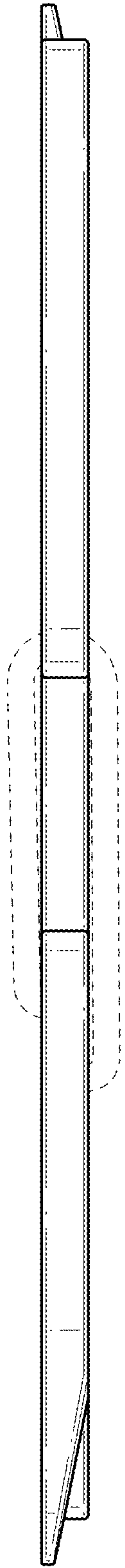
FIG. 3



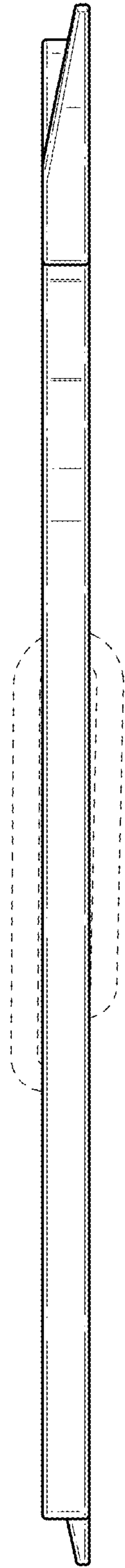
**FIG. 4**



**FIG. 5**



**FIG. 6**



**FIG. 7**