



US00D882368S

(12) **United States Design Patent**
Wagmann

(10) **Patent No.:** **US D882,368 S**
(45) **Date of Patent:** **** Apr. 28, 2020**

(54) **CLAMP**

(71) Applicant: **BEISSBARTH GMBH**, Munich (DE)

(72) Inventor: **Christian Wagmann**, Munich (DE)

(73) Assignee: **Beissbarth GmbH**, Munich (DE)

(**) Term: **15 Years**

(21) Appl. No.: **29/658,312**

(22) Filed: **Jul. 30, 2018**

(30) **Foreign Application Priority Data**

Jan. 31, 2018 (EM) 004688133

(51) **LOC (12) Cl.** **08-05**

(52) **U.S. Cl.**
USPC **D8/72**

(58) **Field of Classification Search**
USPC D8/71-74, 394-399, 354, 355, 356, 59;
D7/683, 685, 686; D15/140; D24/143;
D6/684; 248/62, 63, 72, 74.1, 689,
248/124.2; 81/487, 385, 386, 388-390;
269/3, 4, 6, 143, 165, 240, 243, 246-249,
269/254 R, 147-149; 29/256, 257, 276;
408/103, 104-109
CPC B25B 1/00; B25B 5/00; B25B 1/2478;
B25B 1/103; B25B 1/22; B25B 1/2405;
B25B 1/2457

See application file for complete search history.

(56) **References Cited**

U.S. PATENT DOCUMENTS

D423,315 S * 4/2000 Robson D15/140
D485,616 S * 1/2004 Baillargeon D24/129

D496,998 S * 10/2004 Pajunk D24/129
D530,729 S * 10/2006 Cook D15/140
D659,514 S * 5/2012 Olien D8/354
D737,647 S * 9/2015 Elder D15/140
D768,852 S * 10/2016 Rozwadowski D24/130
D787,053 S * 5/2017 Huang D24/130
D799,032 S * 10/2017 Becker D24/129
D804,023 S * 11/2017 Huang D24/130
D805,193 S * 12/2017 Shoji D24/129
D830,536 S * 10/2018 White D24/110
2003/0120209 A1 * 6/2003 Jensen A61M 5/326
604/110

* cited by examiner

Primary Examiner — Nathan M Johnston

(74) *Attorney, Agent, or Firm* — Maginot, Moore & Beck
LLP

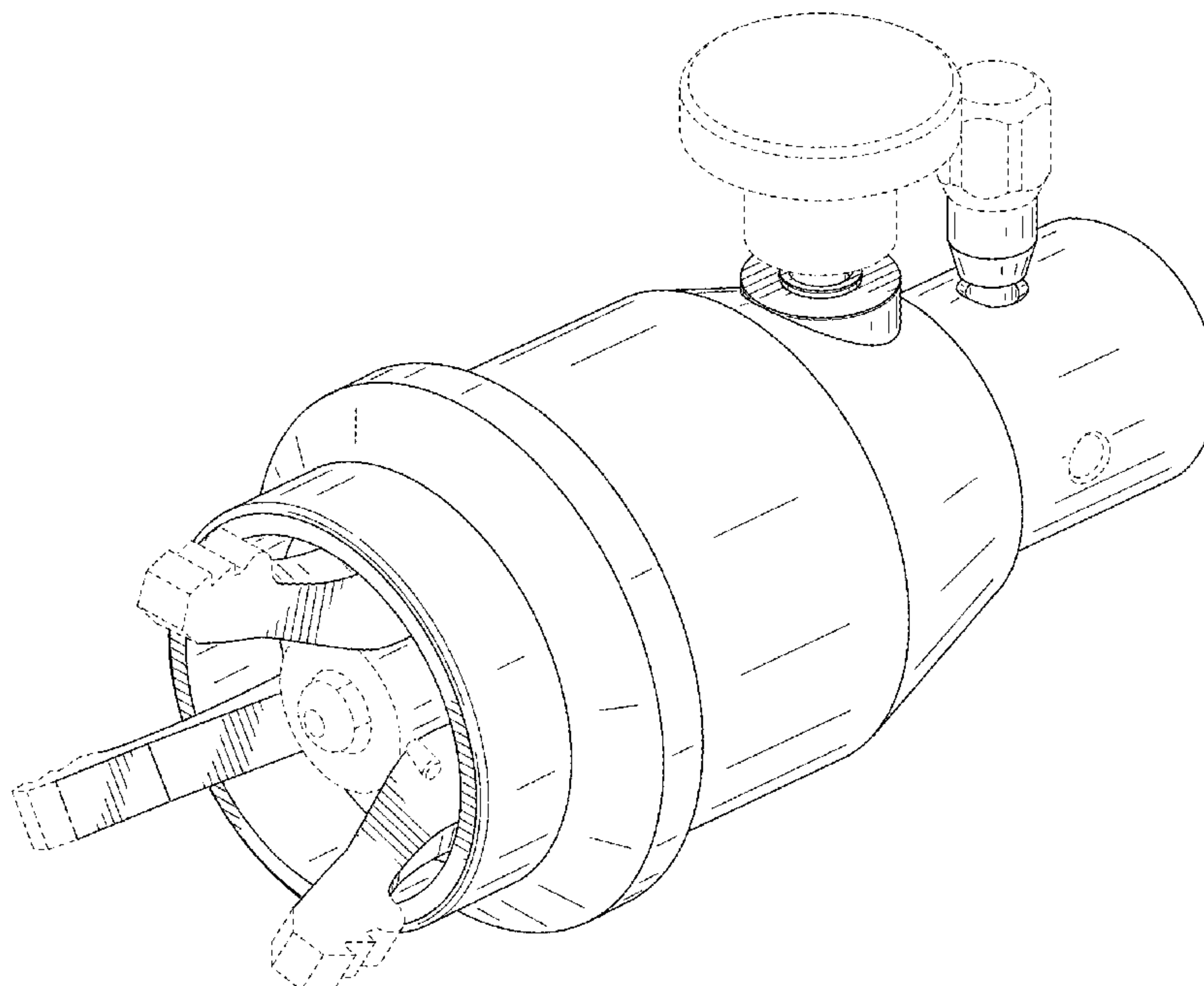
(57) **CLAIM**

The ornamental design for a clamp, as shown and described.

DESCRIPTION

FIG. 1 is a perspective view of a clamp showing my new design;
FIG. 2 is a right side elevational view of the clamp of FIG. 1;
FIG. 3 is a left side elevational view of the clamp of FIG. 1;
FIG. 4 is a top plan view of the clamp of FIG. 1;
FIG. 5 is a bottom plan view of the clamp of FIG. 1;
FIG. 6 is a front elevational view of the clamp of FIG. 1; and,
FIG. 7 is a rear elevational view of the clamp of FIG. 1.
The dash dot lines immediately adjacent to the claimed area represent the boundaries of the claimed design. The dashed lines in the figures illustrate the portions of the design that form no part of the claimed design. None of the broken lines form any part of the claimed design.

1 Claim, 7 Drawing Sheets



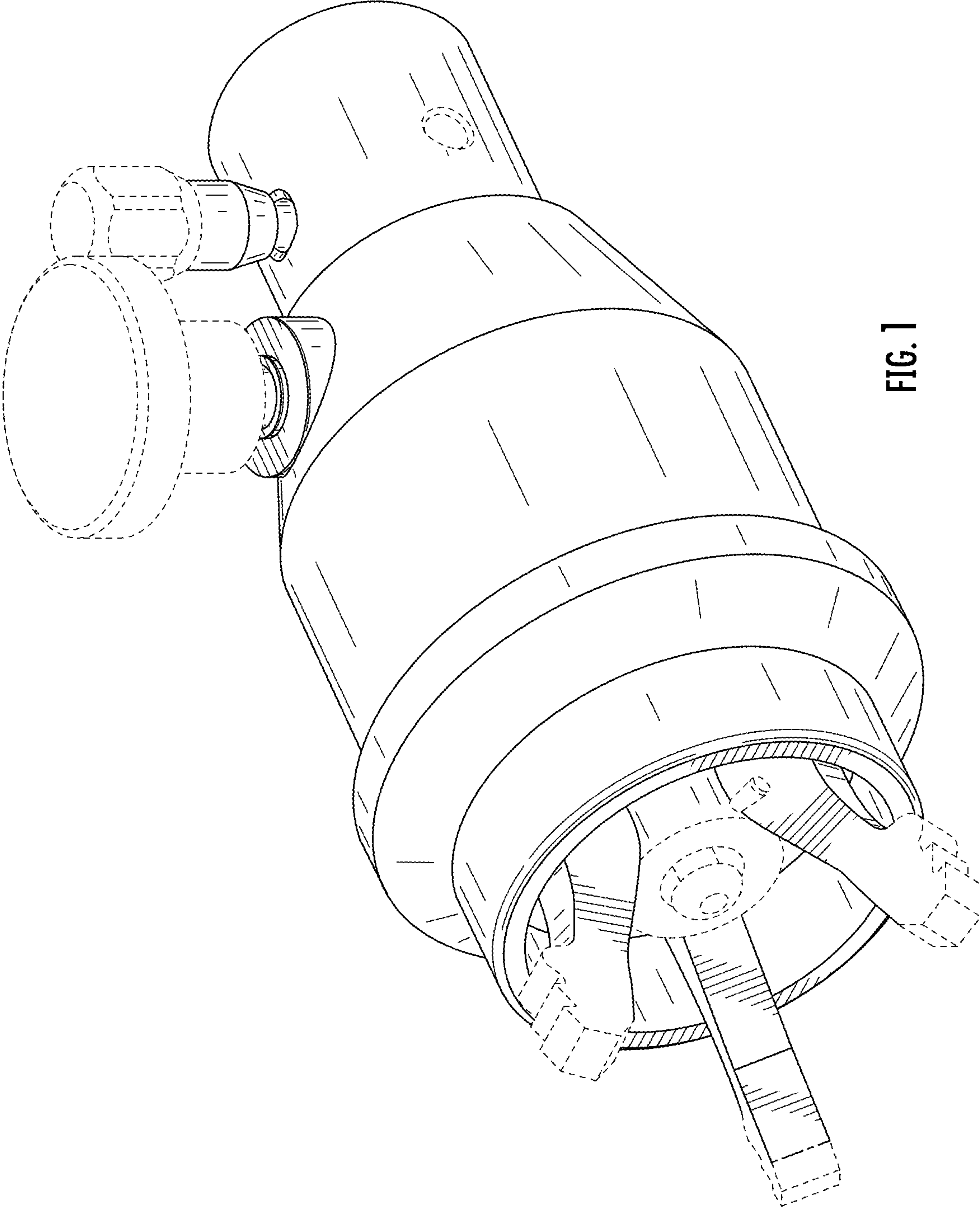


FIG. 1

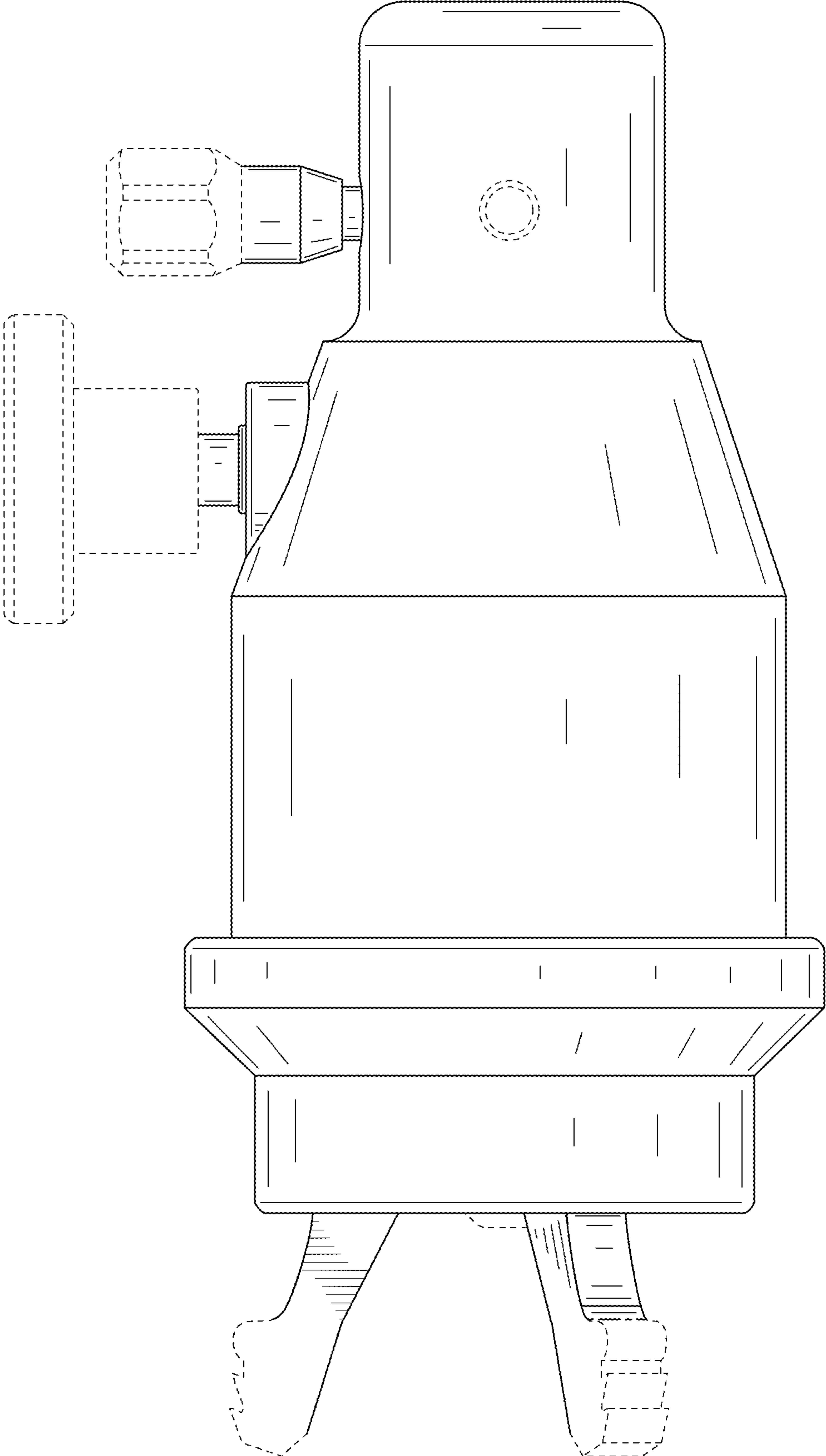


FIG. 2

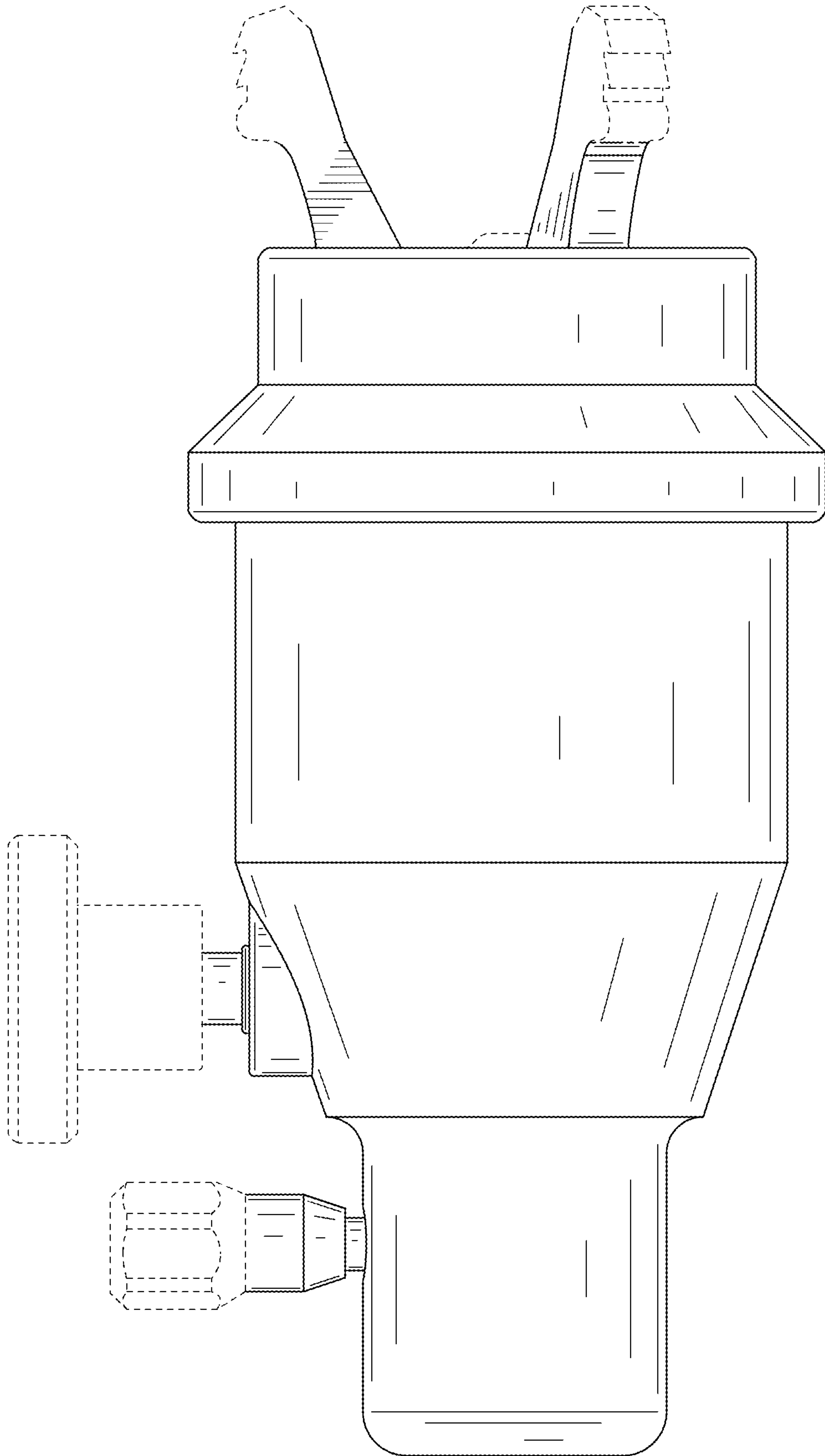


FIG. 3

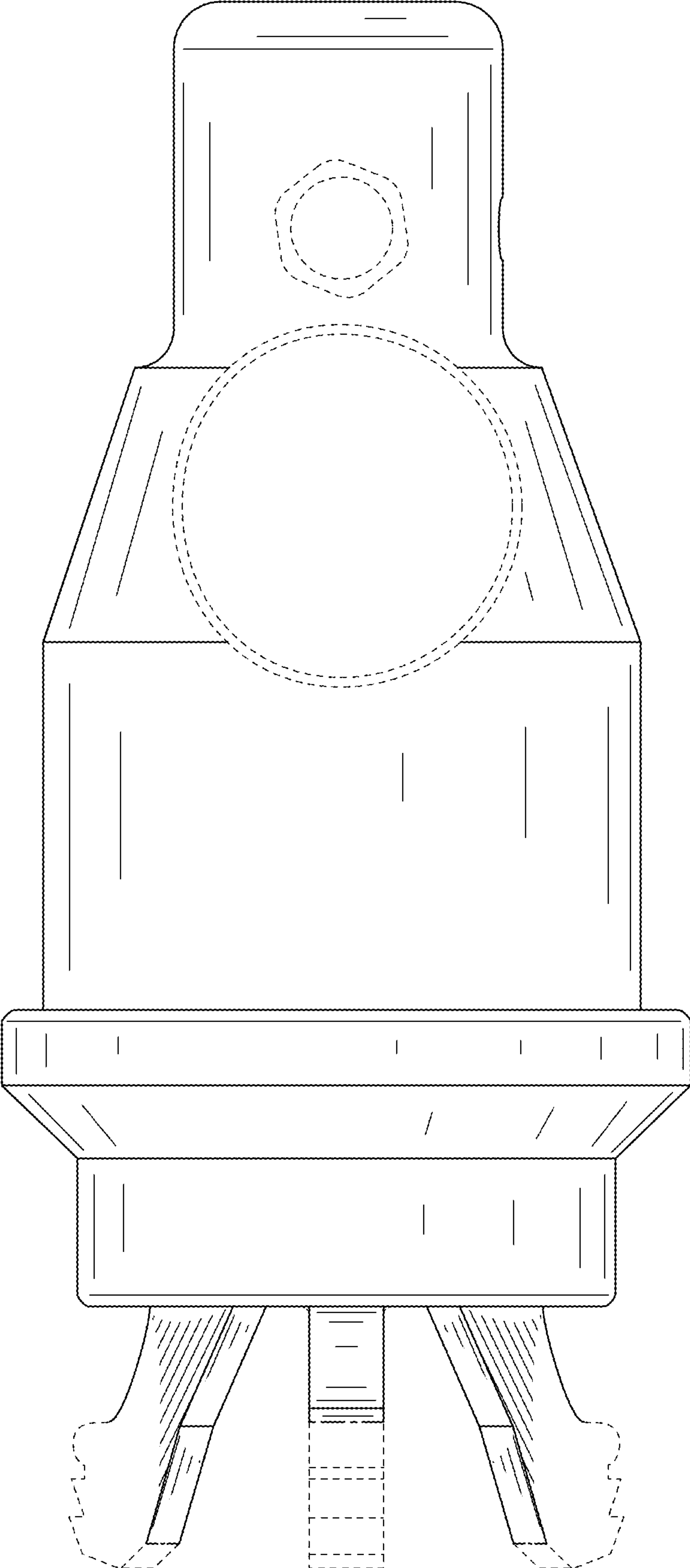


FIG. 4

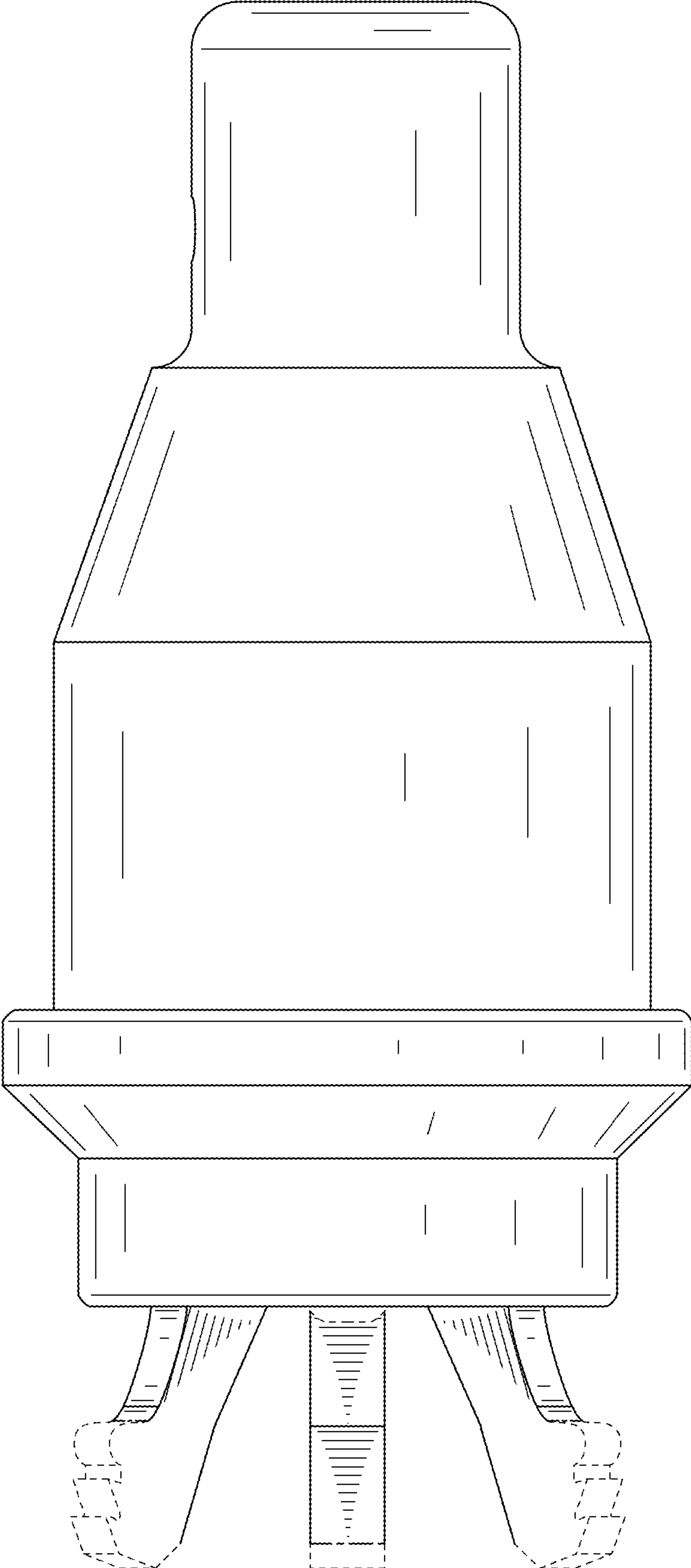


FIG. 5

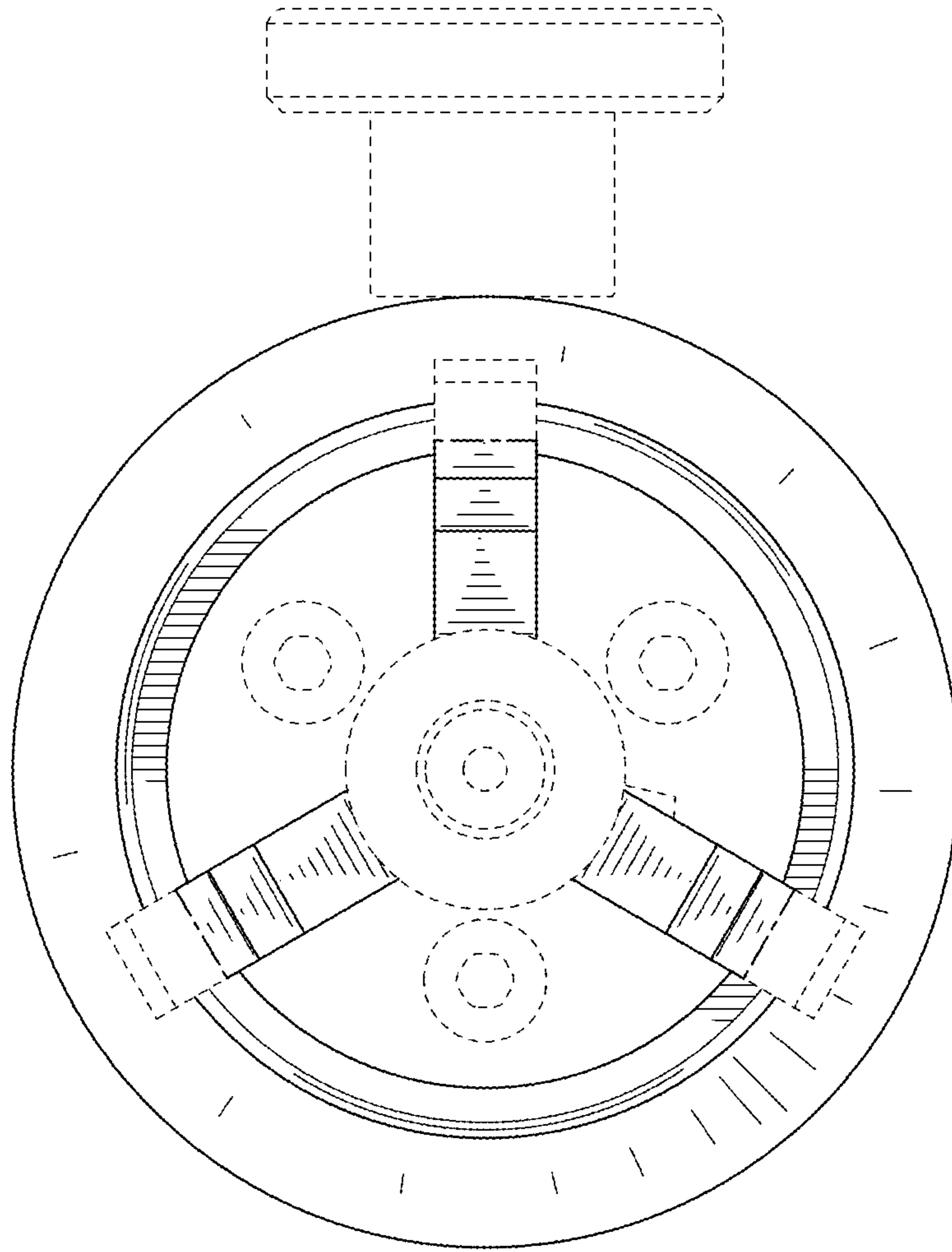


FIG. 6

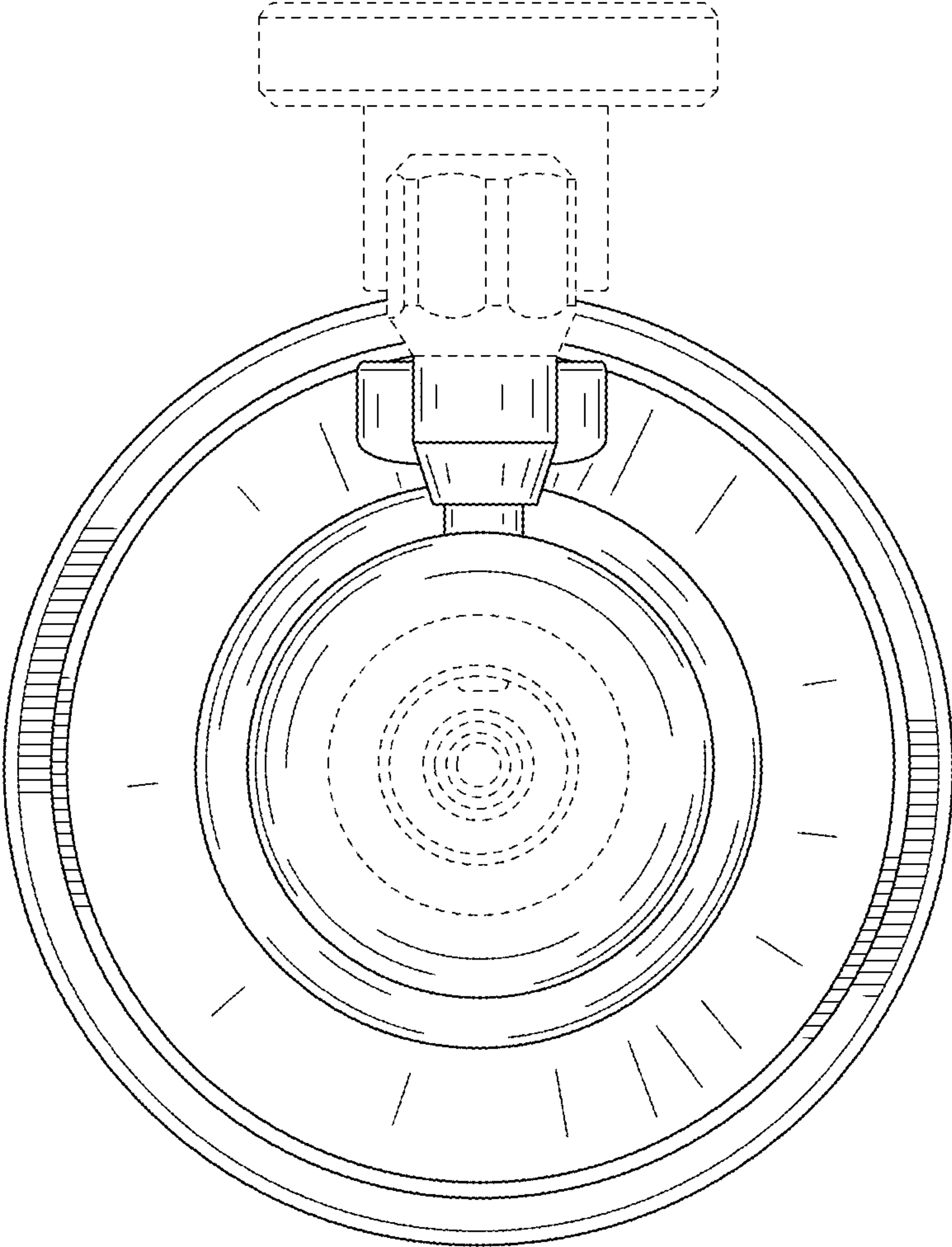


FIG. 7