



US00D882367S

(12) **United States Design Patent**
King, Jr.

(10) **Patent No.:** **US D882,367 S**
(45) **Date of Patent:** **** Apr. 28, 2020**

- (54) **VACUUM SHROUD ATTACHMENT**
- (71) Applicant: **Skitter & Squirt Adventures, LLC**,
Missoula, MT (US)
- (72) Inventor: **Jack M King, Jr.**, Phoenix, AZ (US)
- (**) Term: **15 Years**
- (21) Appl. No.: **29/671,005**
- (22) Filed: **Nov. 21, 2018**

Related U.S. Application Data

- (63) Continuation-in-part of application No. 29/644,552,
filed on Apr. 18, 2018.
- (51) **LOC (12) Cl.** **08-05**
- (52) **U.S. Cl.**
USPC **D8/70; D15/124**
- (58) **Field of Classification Search**
USPC D8/70, 62, 40; D15/28, 126, 138, 17, 21,
D15/124
CPC B25F 5/00; B24B 55/10; B24B 55/102;
B24B 23/005
See application file for complete search history.

(56) **References Cited**

U.S. PATENT DOCUMENTS

4,697,389	A *	10/1987	Romine	B24D 15/02 451/354
D331,585	S *	12/1992	Wolff	D15/124
5,527,207	A *	6/1996	Azar	B24B 55/102 451/344
D378,006	S *	2/1997	Clendenning	D32/54
6,027,399	A *	2/2000	Stewart	B24B 23/02 451/353
6,353,590	B1 *	3/2002	Knudsen	G11B 5/5526 219/121.68
6,540,598	B1 *	4/2003	McCutchen	B24B 7/186 451/350
D499,625	S *	12/2004	Stirm	D8/70

(Continued)

Primary Examiner — Mark A Goodwin
(74) *Attorney, Agent, or Firm* — Lisa Foundation Patent
Law Clinic at Arizona State University

(57) **CLAIM**

The ornamental design for a vacuum shroud attachment, as shown and described.

DESCRIPTION

FIG. 1 depicts an isometric view of the vacuum shroud attachment from above and to the side whilst it is coupled to a vacuum shroud.

FIG. 2 depicts an isometric view of the vacuum shroud attachment from an above and to the opposite side than FIG. 1 whilst it is coupled to a vacuum shroud.

FIG. 3 depicts a back view of the vacuum shroud attachment coupled to a vacuum shroud.

FIG. 4 depicts a front view of the vacuum shroud attachment coupled to a vacuum shroud.

FIG. 5 depicts a view of the vacuum shroud attachment from above and angled in front on its own.

FIG. 6 depicts a view of the vacuum shroud attachment from above and angled behind on its own.

FIG. 7 depicts a view of the vacuum shroud attachment from below and angled behind on its own.

FIG. 8 depicts a view of the vacuum shroud attachment from below and angled in front on its own.

FIG. 9 depicts an exploded view of the vacuum shroud attachment from above and to the side.

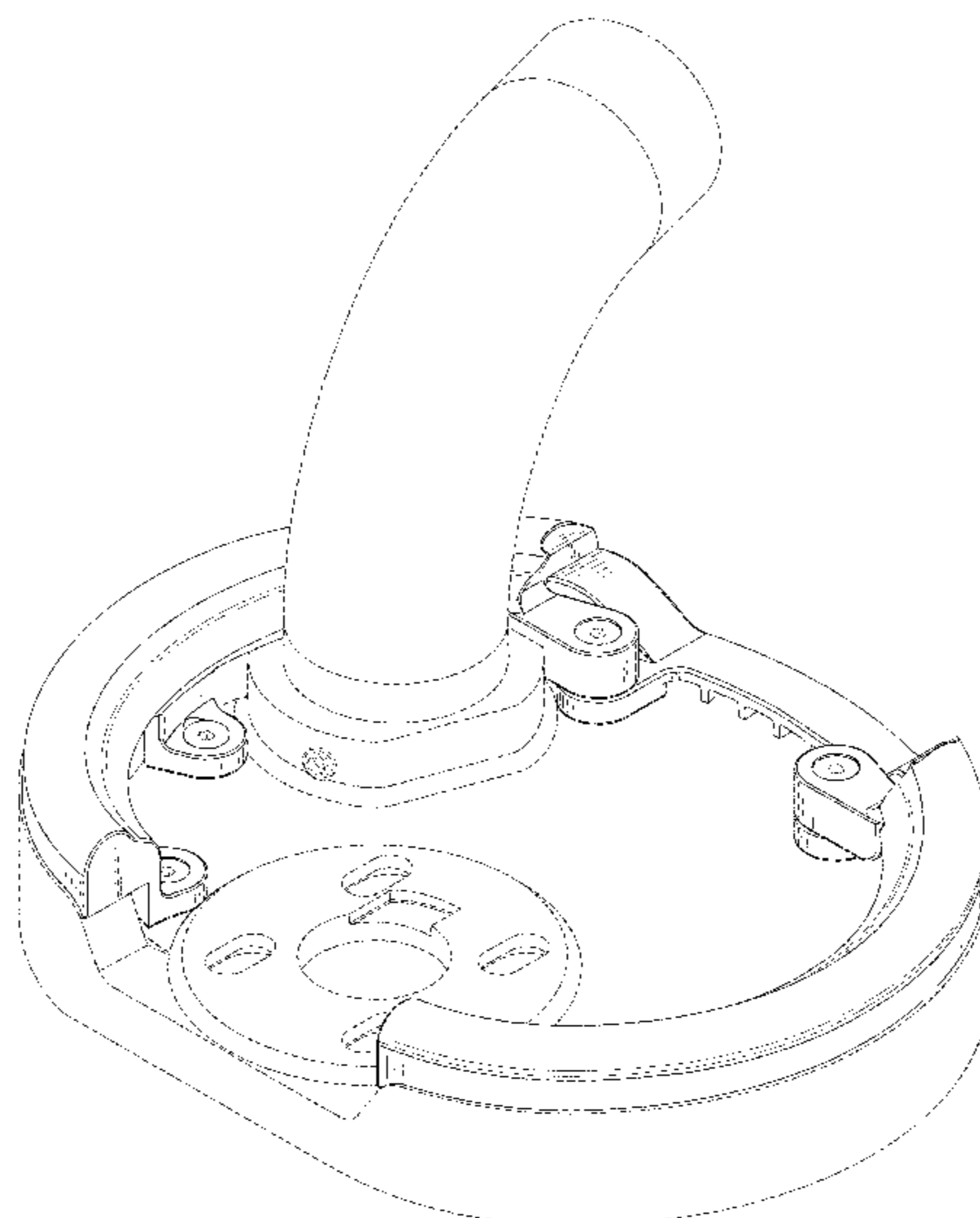
FIG. 10 depicts an exploded view of the vacuum shroud attachment from below and to the side.

FIG. 11 depicts an exploded view of the vacuum shroud attachment from directly above; and,

FIG. 12 depicts an exploded view of the vacuum shroud attachment from directly below.

The broken line showing of a vacuum shroud is included for the purpose of illustrating environmental structure only and forms no part of the claimed design.

1 Claim, 9 Drawing Sheets



(56)

References Cited

U.S. PATENT DOCUMENTS

D536,078	S *	1/2007	Leon	D23/323
D599,827	S *	9/2009	Yabe	D15/28
D599,828	S *	9/2009	Yabe	D15/28
D600,722	S *	9/2009	Yabe	D15/28
D605,206	S *	12/2009	Yabe	D15/28
8,523,637	B2 *	9/2013	Loveless	B24B 55/052 451/359
D751,610	S *	3/2016	Serrurier	D15/28
D766,994	S *	9/2016	Kunz	D15/28
D816,453	S *	5/2018	Hansen	D8/70
D845,457	S *	4/2019	King, Jr.	D23/365
2009/0181605	A1 *	7/2009	Loveless	B24B 55/102 451/456
2009/0181606	A1 *	7/2009	Loveless	B23Q 11/0046 451/456
2009/0186559	A1 *	7/2009	Loveless	B24B 55/10 451/28
2010/0261417	A1 *	10/2010	O'Shannessy	B24B 23/005 451/344
2010/0285729	A1 *	11/2010	Loveless	B24B 23/028 451/456
2011/0021121	A1 *	1/2011	Loveless	B24B 55/052 451/456
2013/0198996	A1 *	8/2013	King, Jr.	A47L 9/02 15/415.1
2014/0352106	A1 *	12/2014	King, Jr.	B28D 7/02 15/415.1
2019/0321940	A1 *	10/2019	King, Jr.	B24B 23/005

* cited by examiner

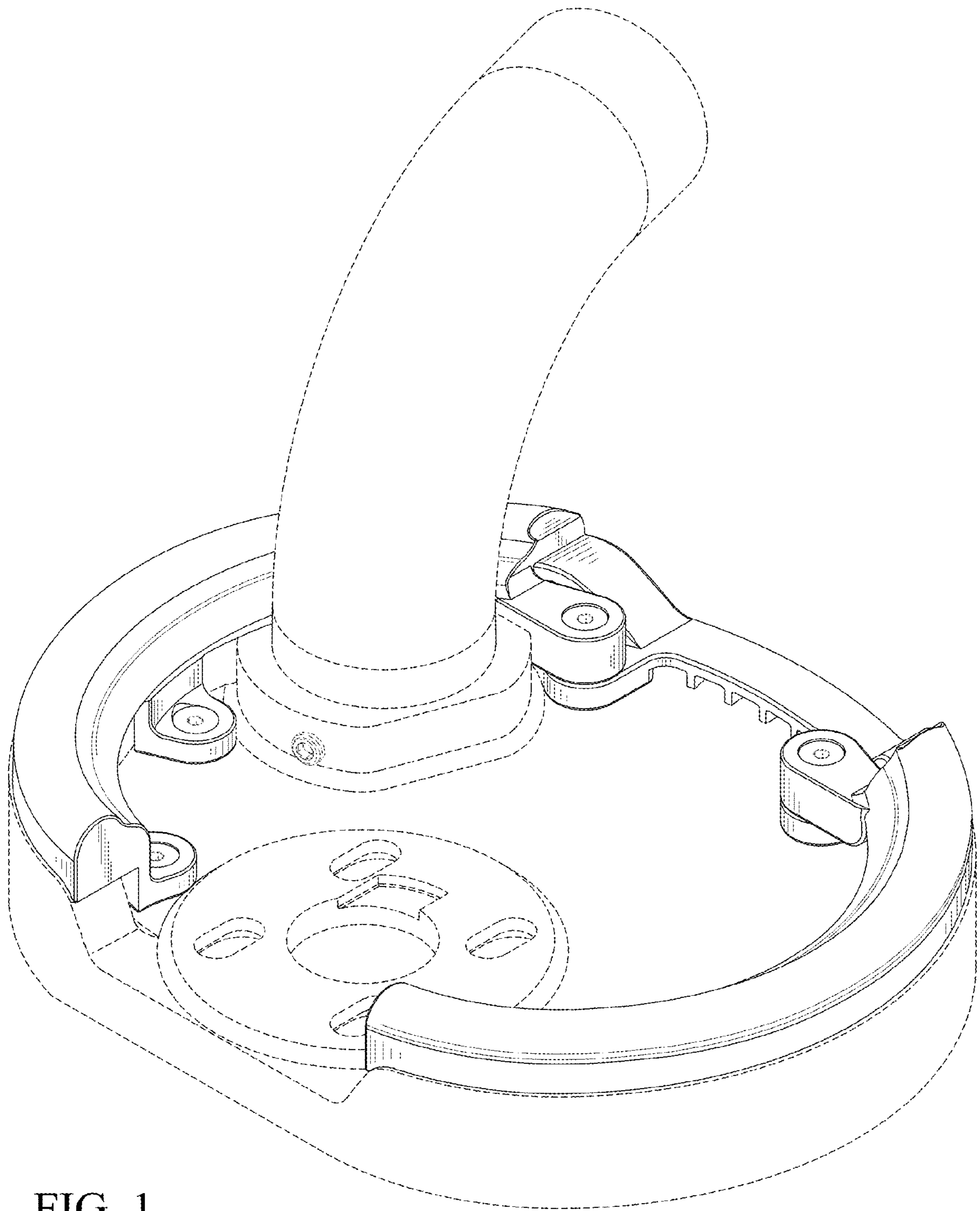


FIG. 1

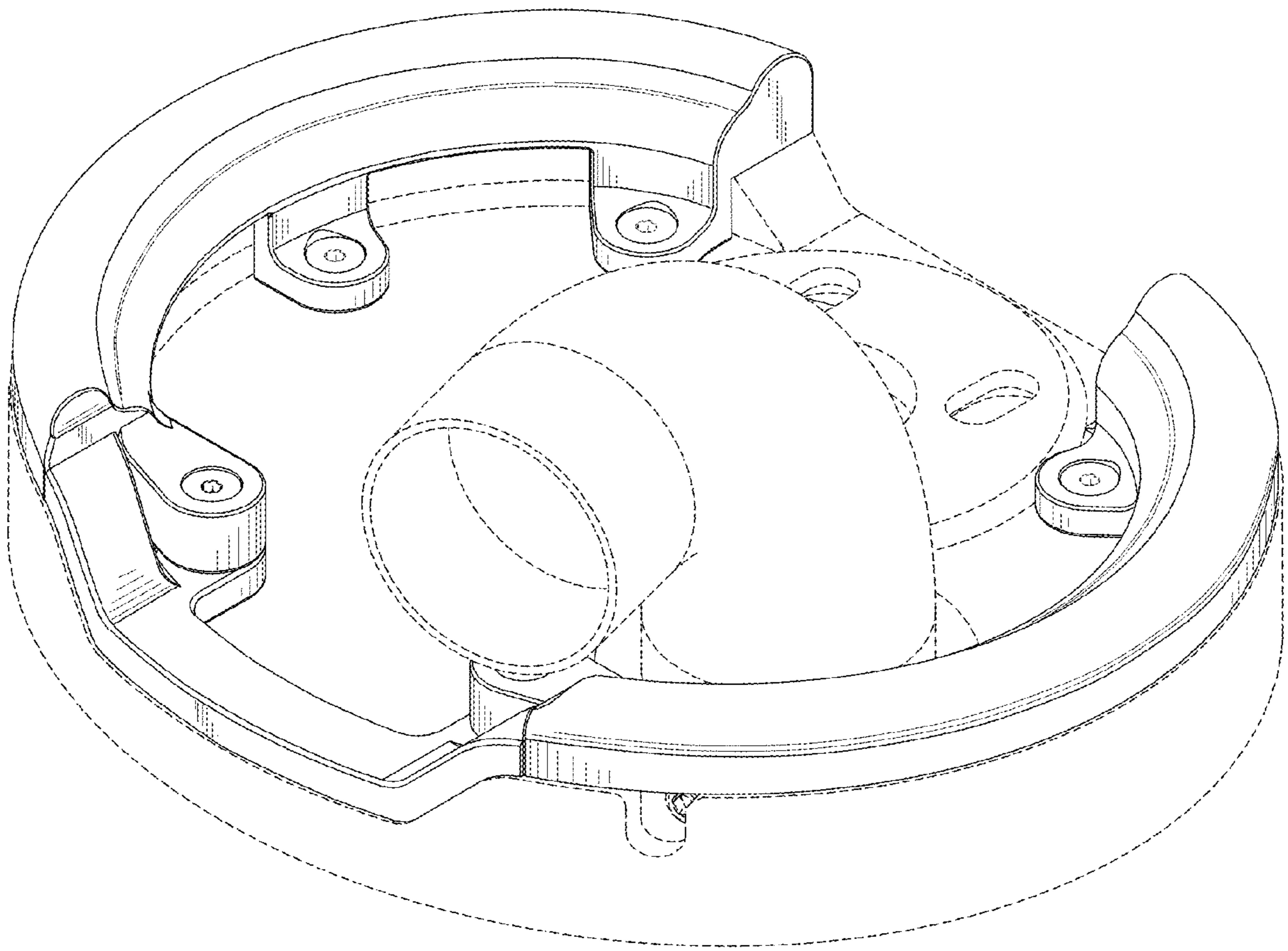


FIG. 2

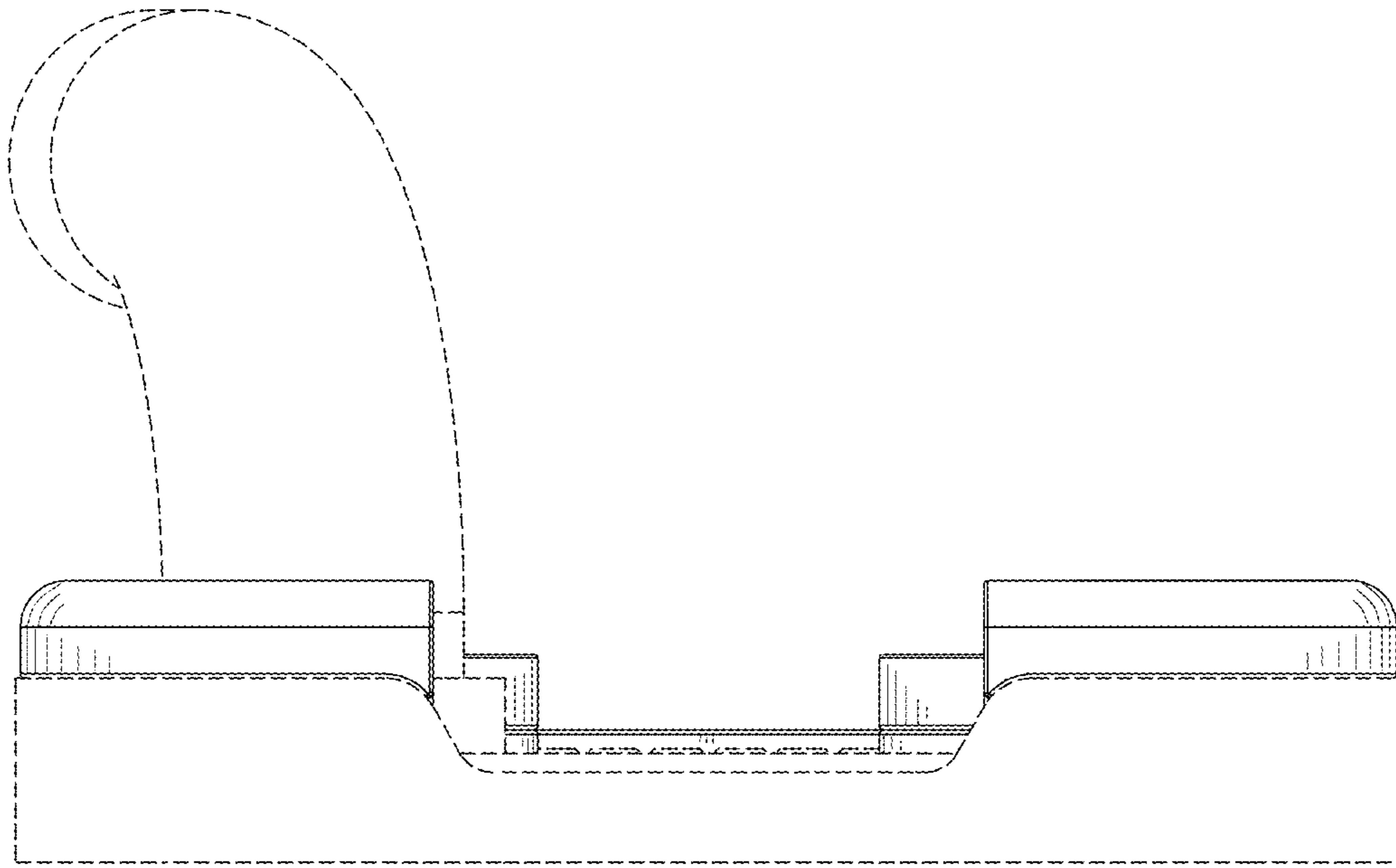


FIG. 3

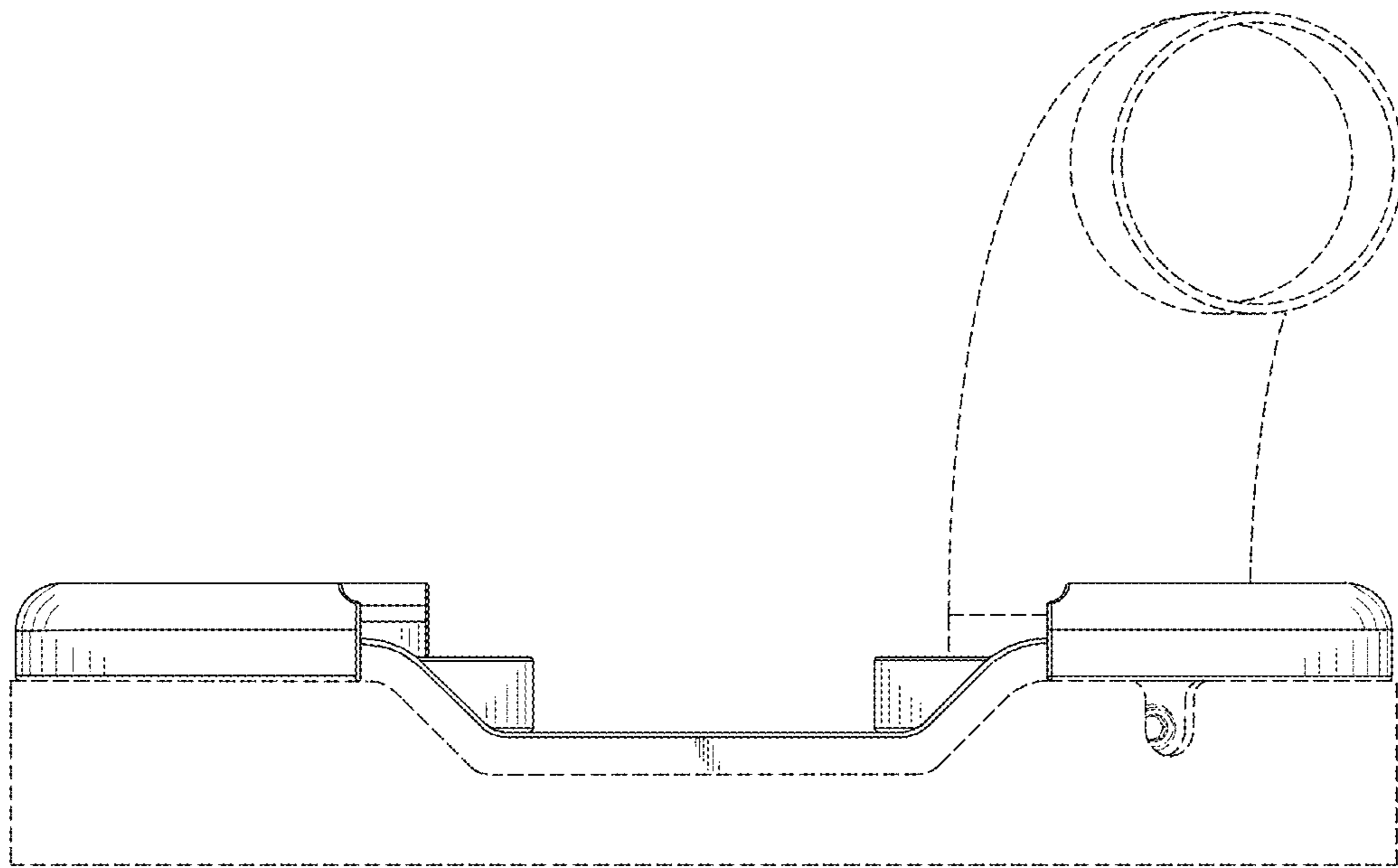


FIG. 4

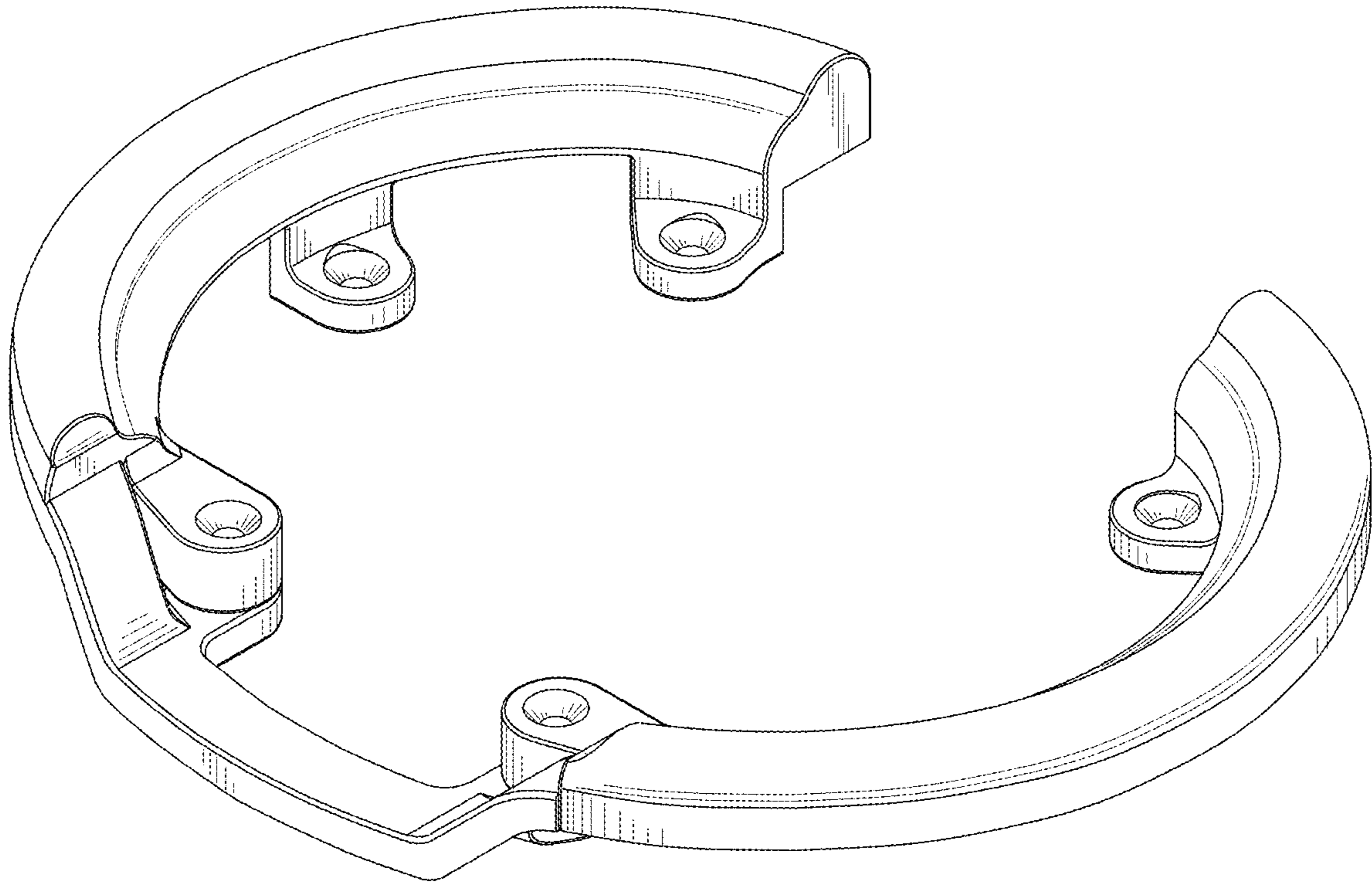


FIG. 5

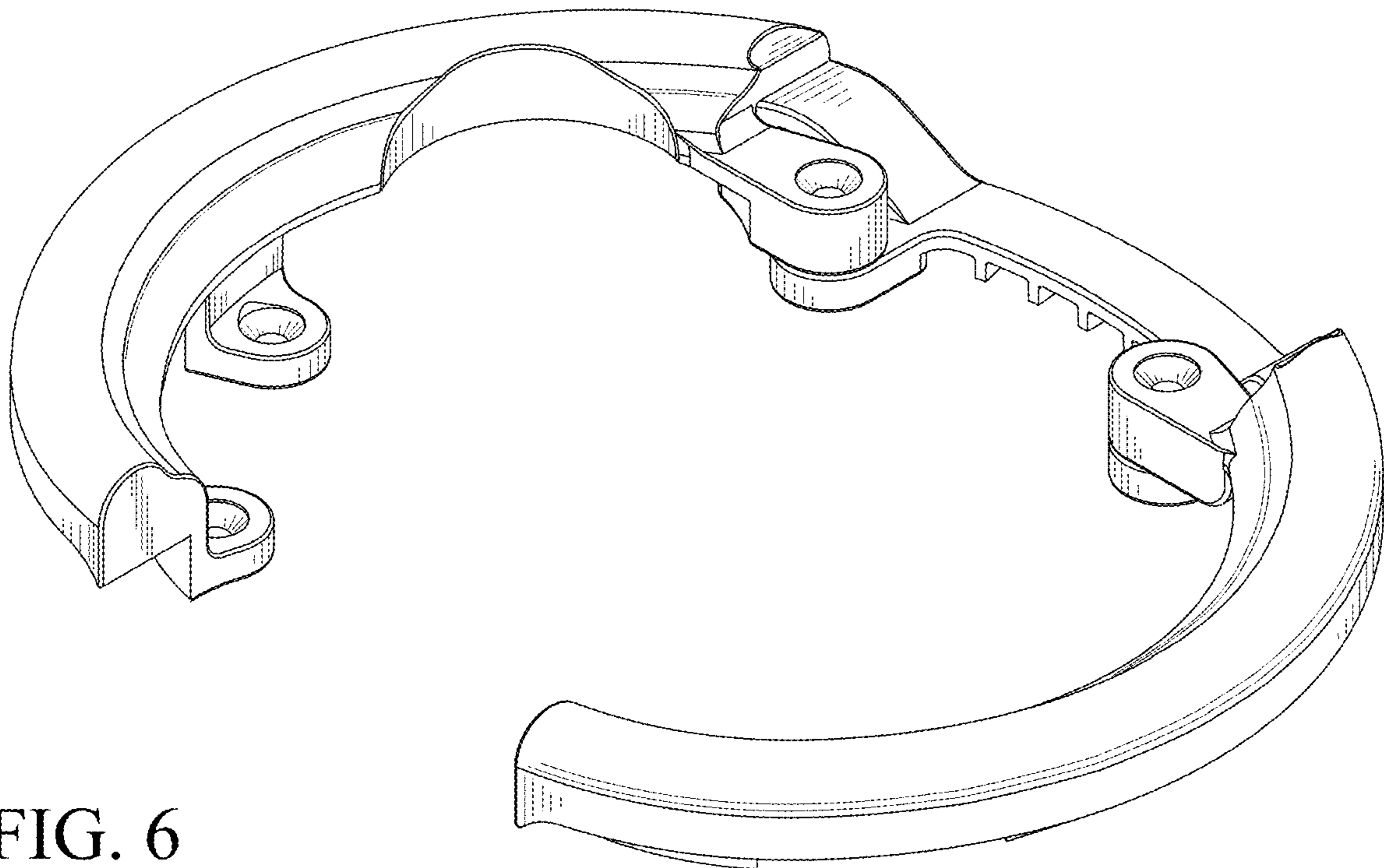


FIG. 6

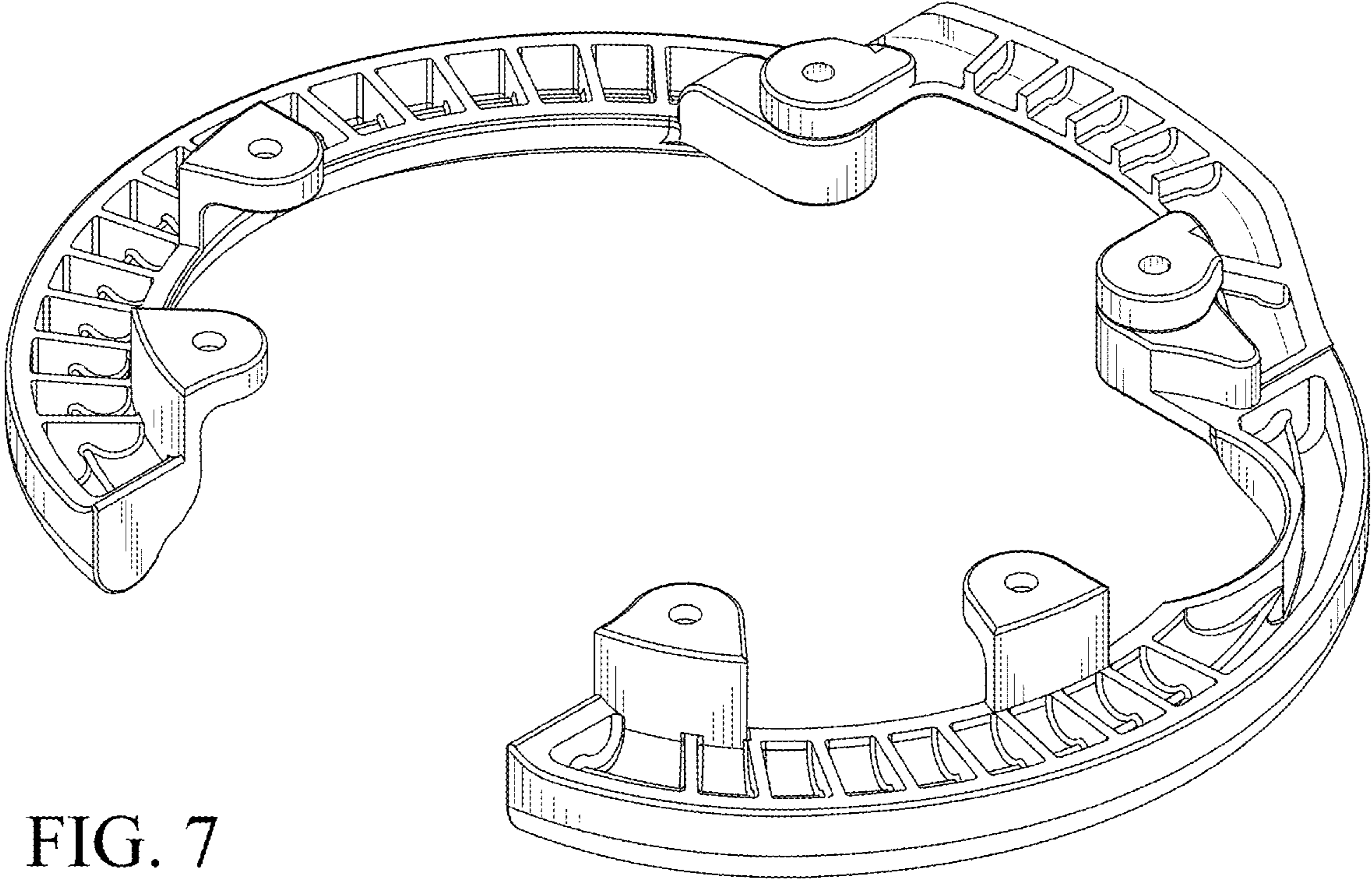


FIG. 7

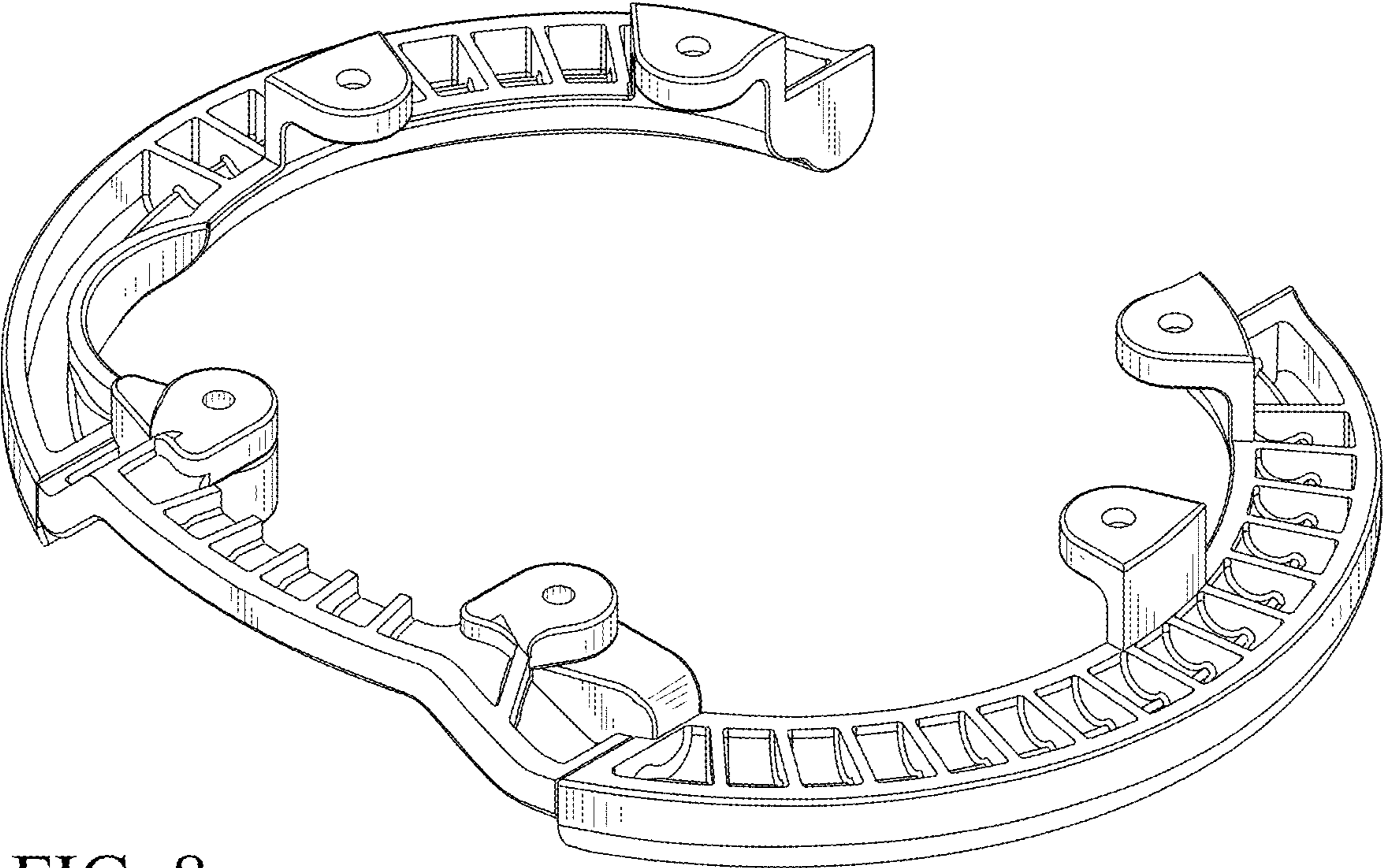


FIG. 8

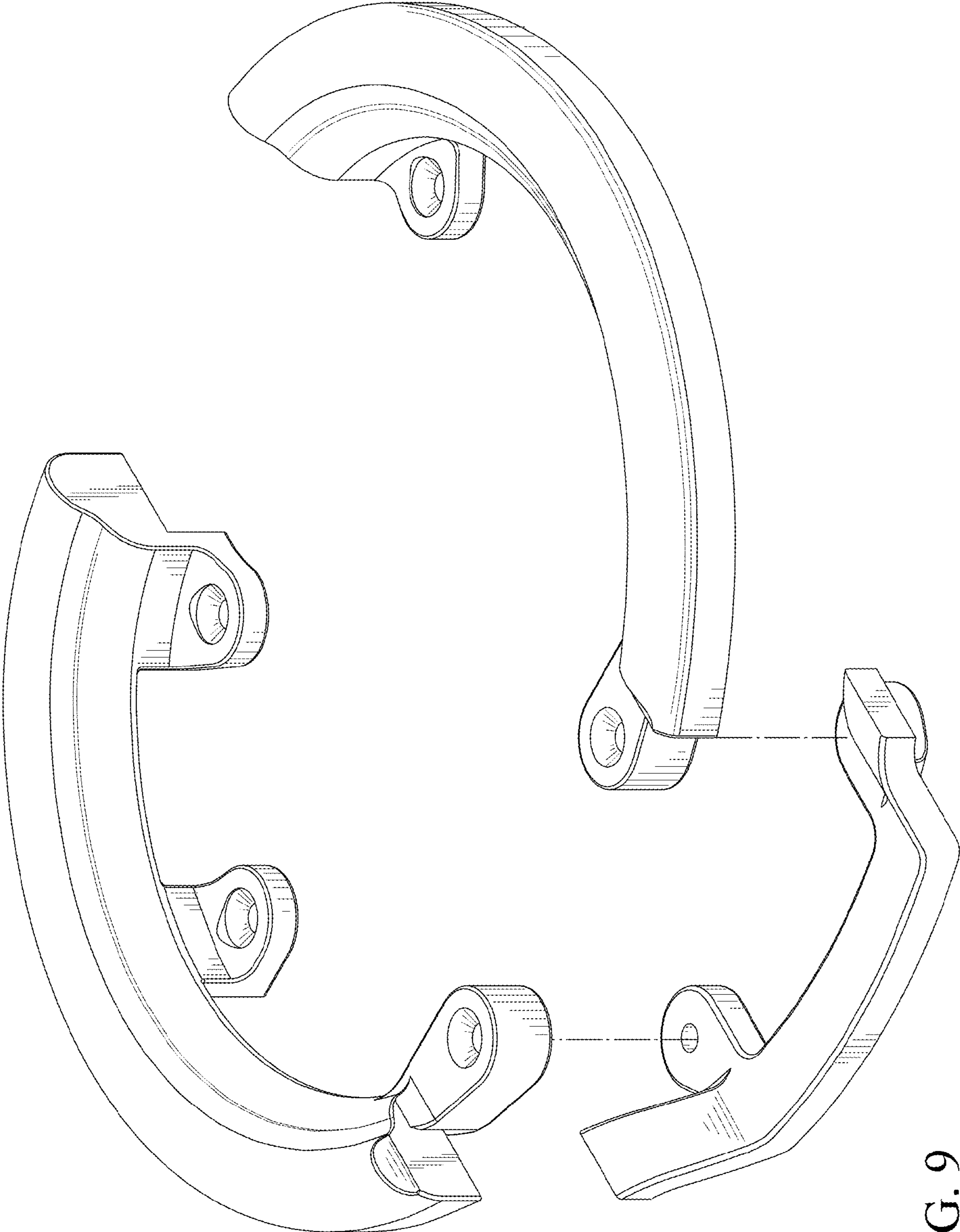


FIG. 9

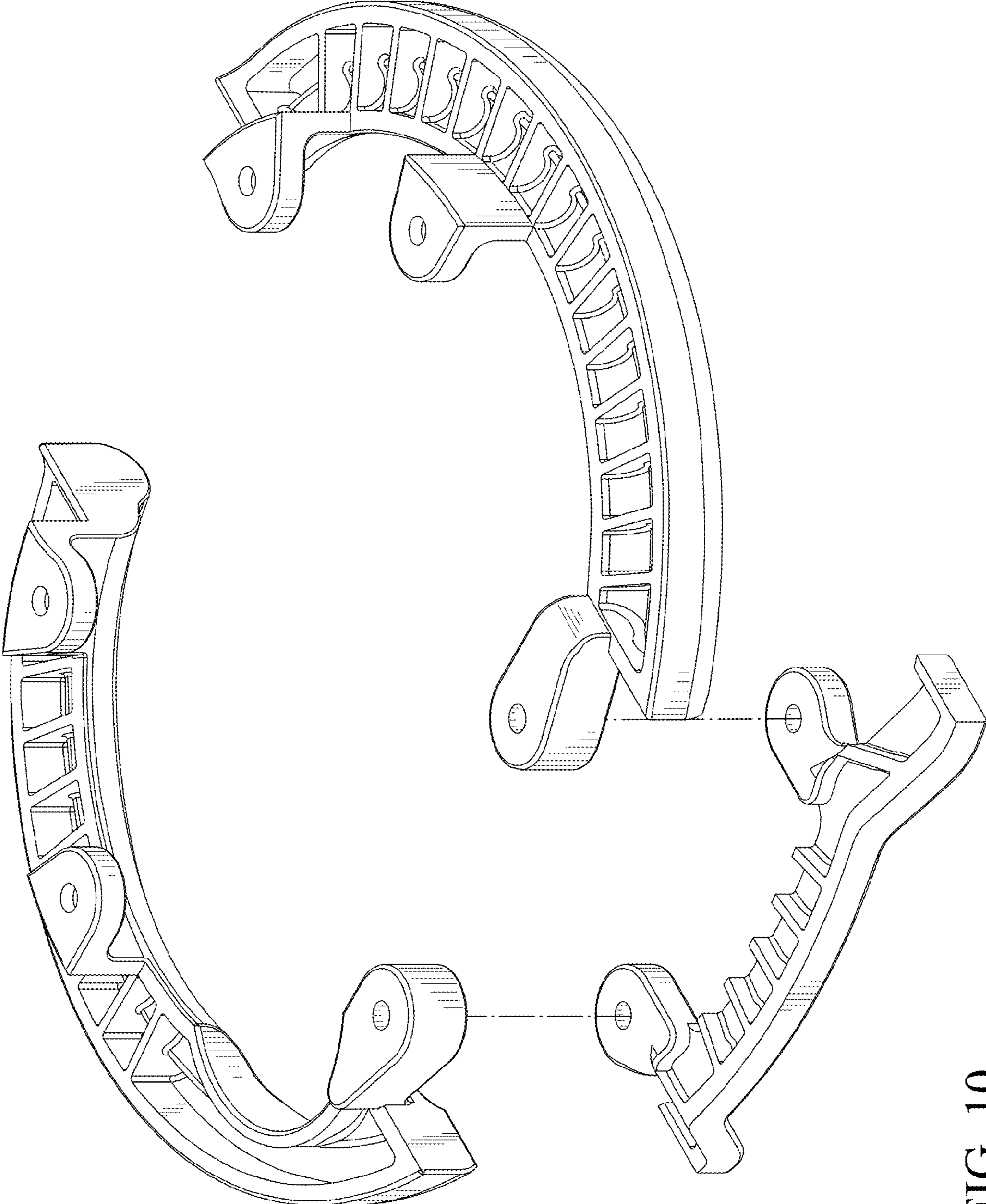


FIG. 10

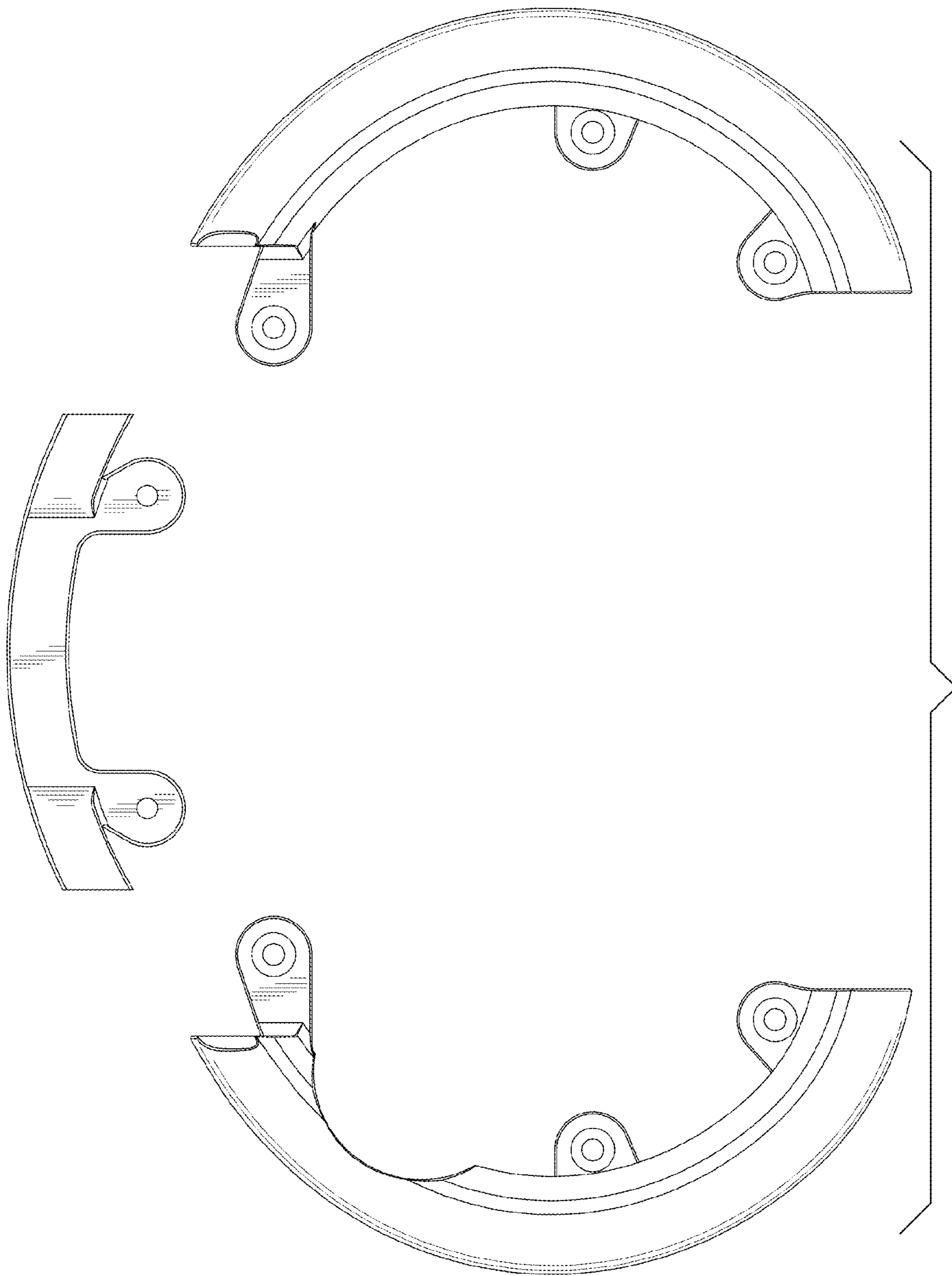


FIG. 11

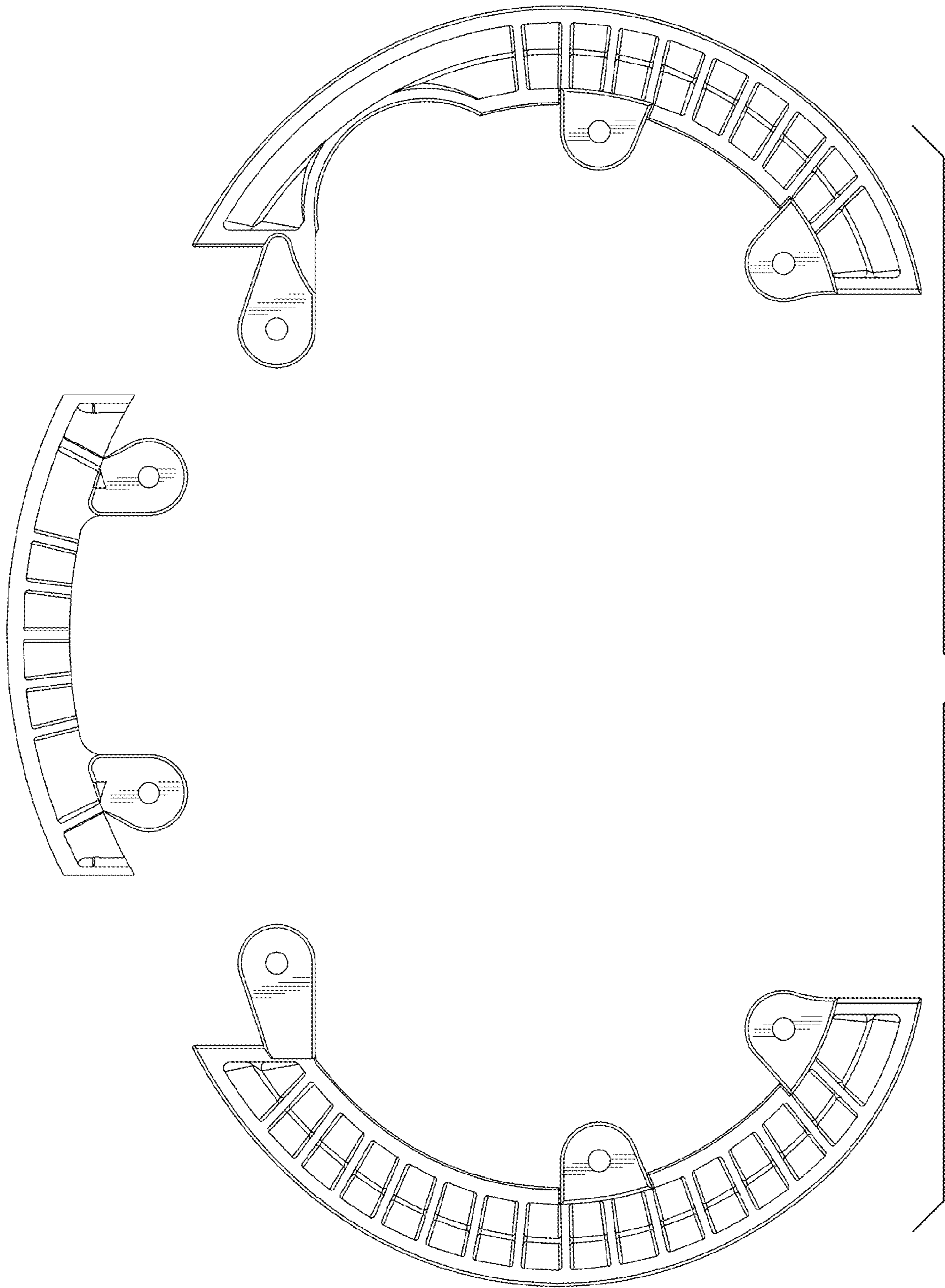


FIG. 12