



US00D882366S

(12) **United States Design Patent** (10) **Patent No.:** **US D882,366 S**
Yang (45) **Date of Patent:** **** Apr. 28, 2020**

(54) **ELECTRIC DRILL**
(71) Applicant: **JIANGSU HEHUI POWER TOOLS CO., LTD., Qidong (CN)**
(72) Inventor: **Xiaofei Yang, Qidong (CN)**
(73) Assignee: **JIANGSU HEHUI POWER TOOLS CO., LTD., Qidong (CN)**
(**) Term: **15 Years**
(21) Appl. No.: **29/660,079**
(22) Filed: **Aug. 17, 2018**
(51) **LOC (12) Cl.** **08-05**
(52) **U.S. Cl.**
USPC **D8/68**
(58) **Field of Classification Search**
USPC D8/61, 67, 68
CPC B62D 23/005; B62D 29/00; B62D 29/043;
B62D 31/00; B62D 33/046; B62D 35/00;
B62D 35/001; B60Q 1/0005
See application file for complete search history.

D678,025 S * 3/2013 Naksen D8/68
D678,744 S * 3/2013 Aoki D8/68
D679,161 S * 4/2013 Kawase D8/61
D684,028 S * 6/2013 Costoli 173/90
D685,245 S * 7/2013 Tirone D8/68
D700,821 S * 3/2014 Tschopp D8/68

(Continued)

Primary Examiner — Darlington Ly
(74) *Attorney, Agent, or Firm* — Bayramoglu Law Offices LLC

(57) **CLAIM**

The ornamental design for an electric drill, as shown and described.

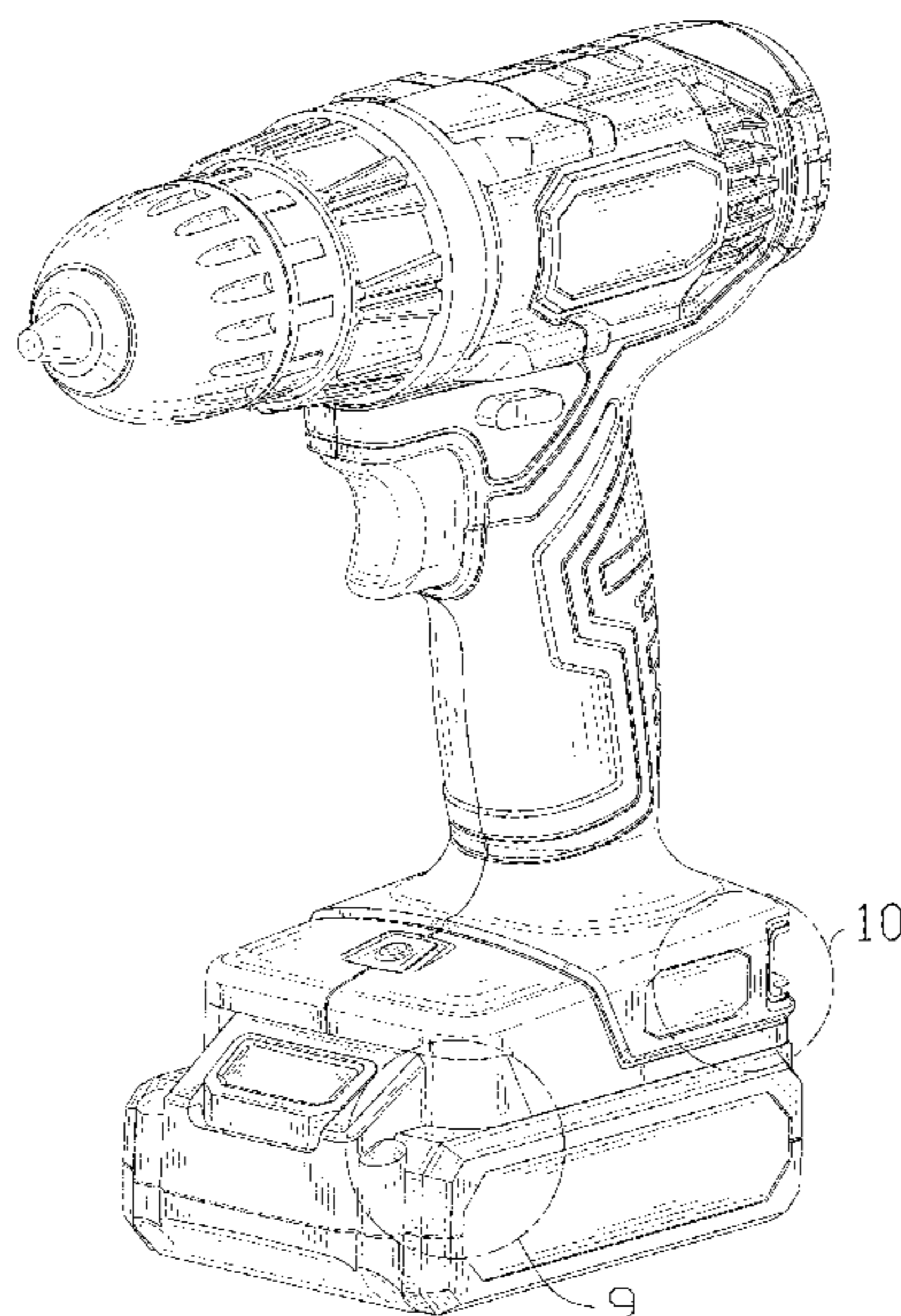
DESCRIPTION

FIG. 1 is a top-down perspective view of an electric drill showing my new design;
FIG. 2 is a bottom-up perspective view thereof;
FIG. 3 is a front side elevation view thereof;
FIG. 4 is a rear side elevation view thereof;
FIG. 5 is a left side elevation view thereof;
FIG. 6 is a right side elevation view thereof;
FIG. 7 is a top plan view thereof;
FIG. 8 is a bottom plan view thereof;
FIG. 9 is a first partially enlarged view of FIG. 1;
FIG. 10 is a second partially enlarged view of FIG. 1;
FIG. 11 is a partially enlarged view of FIG. 3;
FIG. 12 is a first partially enlarged view of FIG. 5;
FIG. 13 is a second partially enlarged view of FIG. 5;
FIG. 14 is a first partially enlarged view of FIG. 6;
FIG. 15 is a second partially enlarged view of FIG. 6;
FIG. 16 is a first partially enlarged view of FIG. 7; and,
FIG. 17 is a second partially enlarged view of FIG. 7.
Broken lines depict portions of the electric drill that form no part of the claimed design. Dot-dash broken lines depict boundaries of the partially enlarged parts of the corresponding figures that form no part of the claimed design.

(56) **References Cited**
U.S. PATENT DOCUMENTS

D466,777 S * 12/2002 Watson D8/68
D466,779 S * 12/2002 Shibata D8/68
D466,781 S * 12/2002 Matsuoka D8/68
D508,643 S * 8/2005 Concari D8/68
D515,377 S * 2/2006 Chung D8/68
D525,848 S * 8/2006 Kokawa D8/68
D527,971 S * 9/2006 Kokawa D8/68
D536,944 S * 2/2007 Tsai D8/68
D556,002 S * 11/2007 Ino D8/68
D574,688 S * 8/2008 Yamamoto D8/68
D628,454 S * 12/2010 Misaki D8/68
D642,037 S * 7/2011 Miller D8/68
D646,947 S * 10/2011 Lopano D8/68
D670,989 S * 11/2012 Kawase D8/61
D675,500 S * 2/2013 Taniguchi D8/68

1 Claim, 17 Drawing Sheets



(56)

References Cited

U.S. PATENT DOCUMENTS

D708,496 S * 7/2014 Zhou D8/68
2015/0041164 A1 * 2/2015 Sergyeyenko B25B 21/00
173/1

* cited by examiner

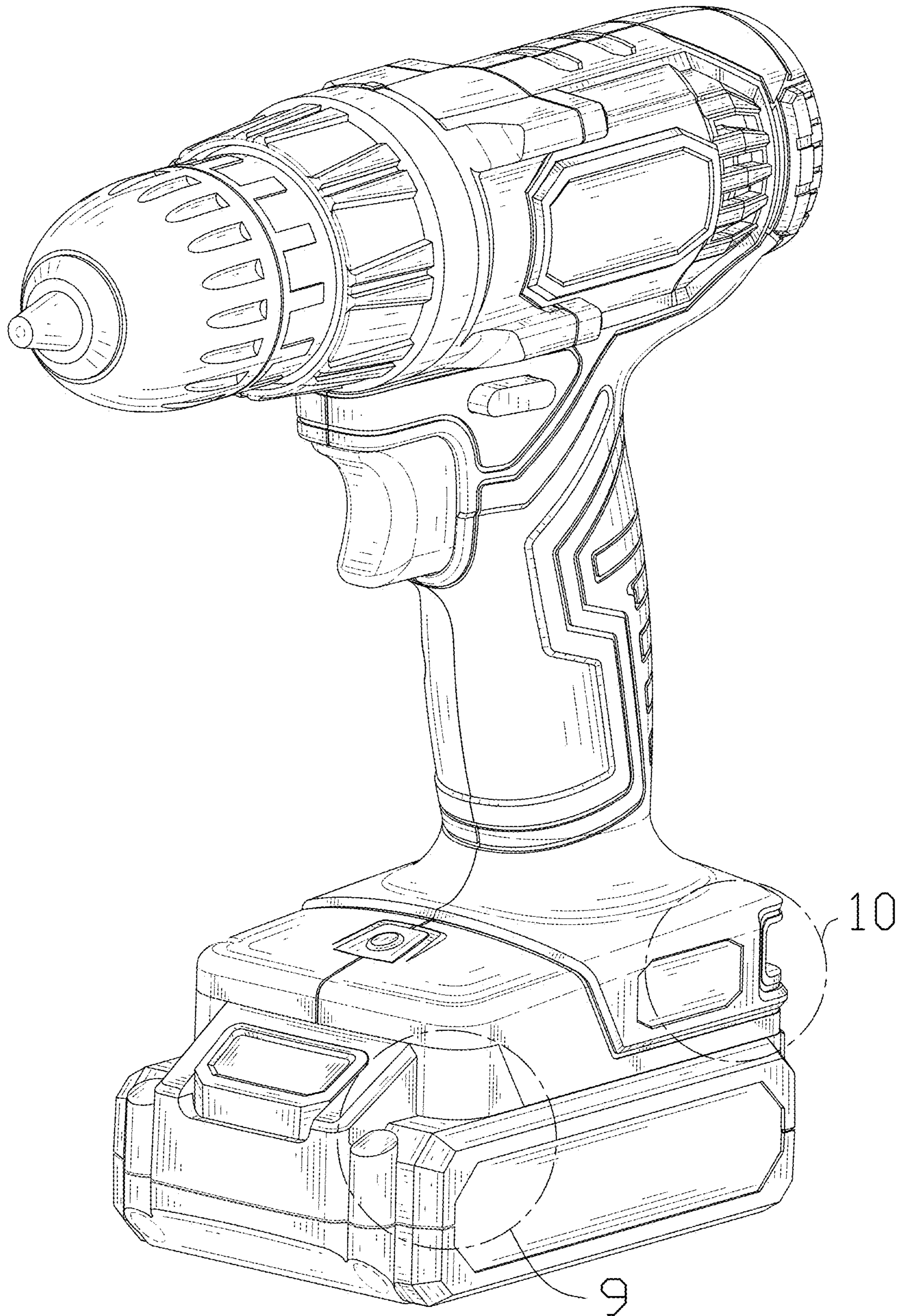


FIG. 1

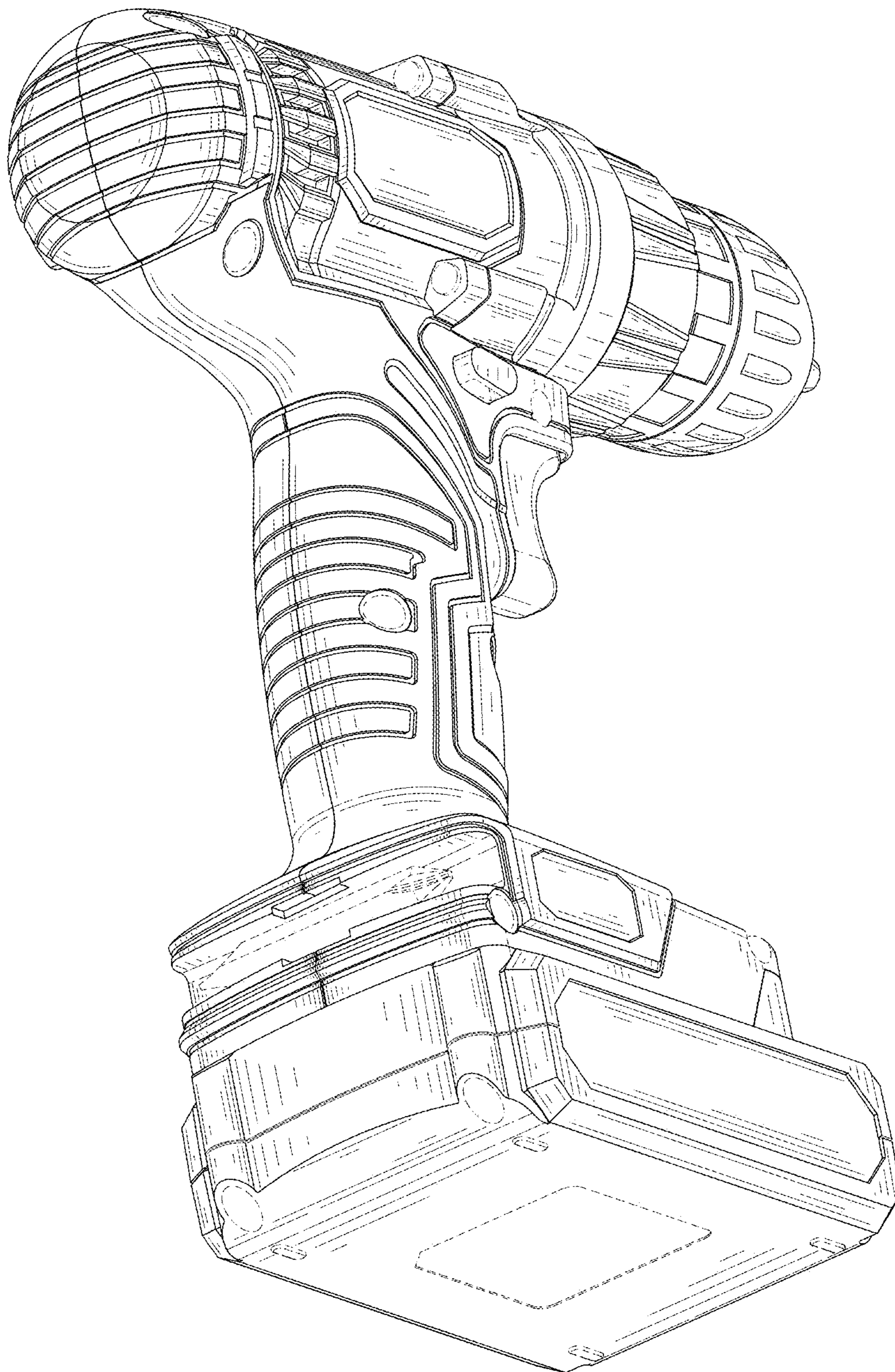


FIG. 2

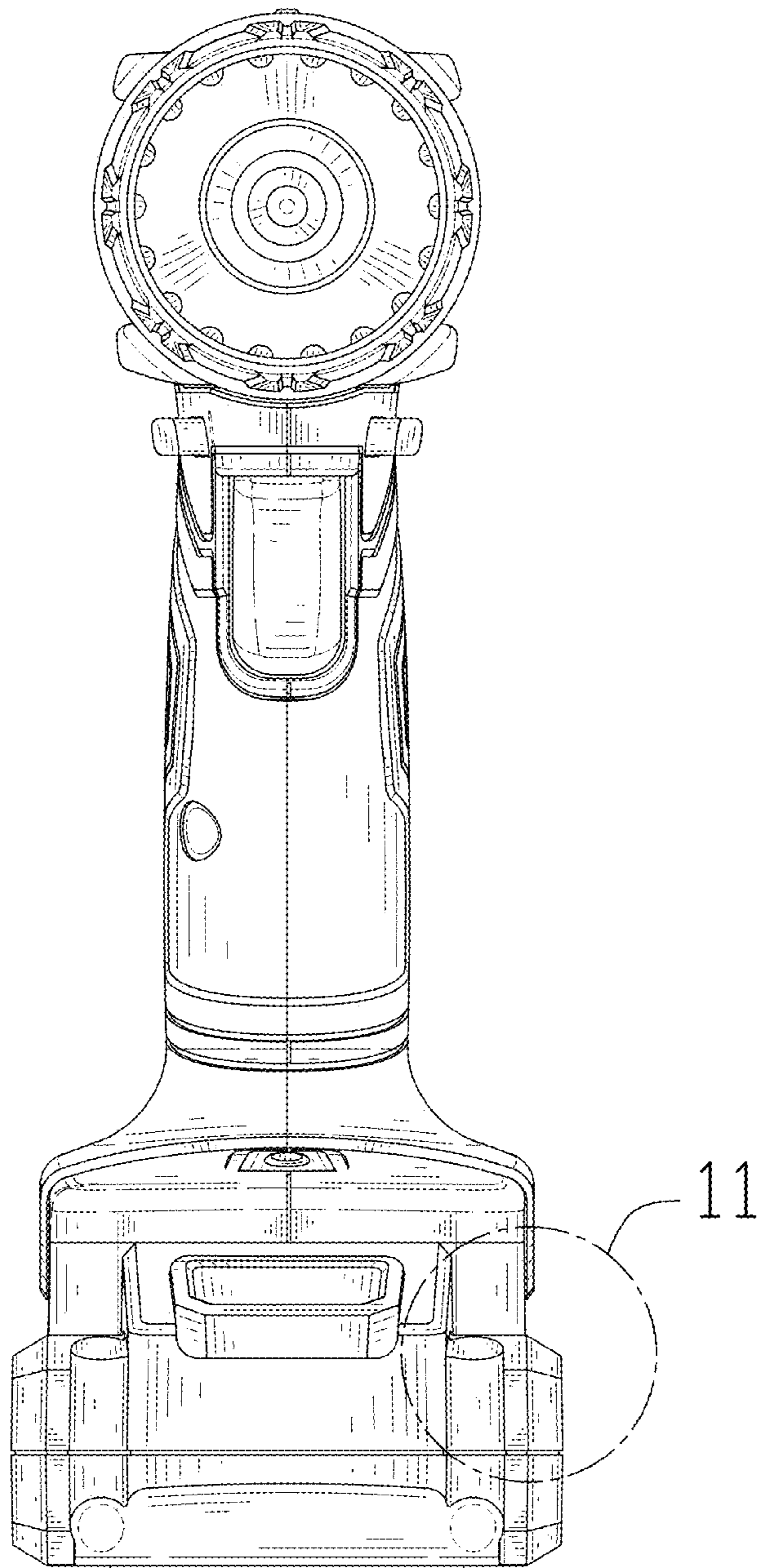


FIG. 3

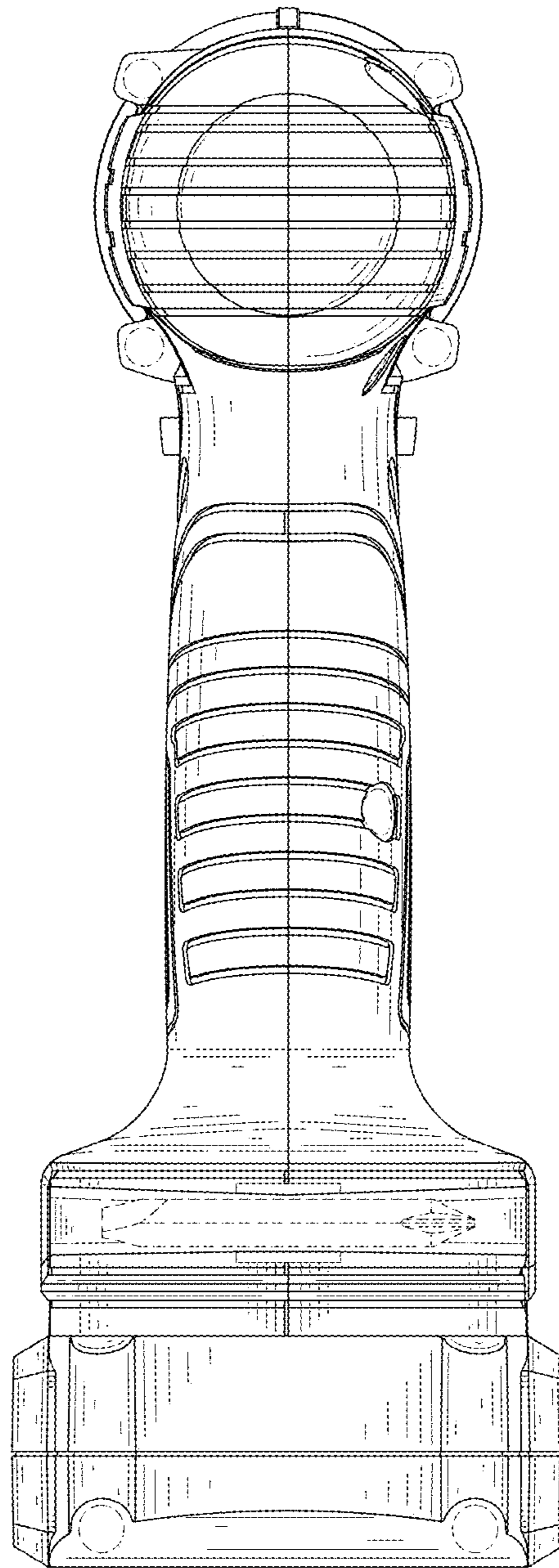


FIG. 4

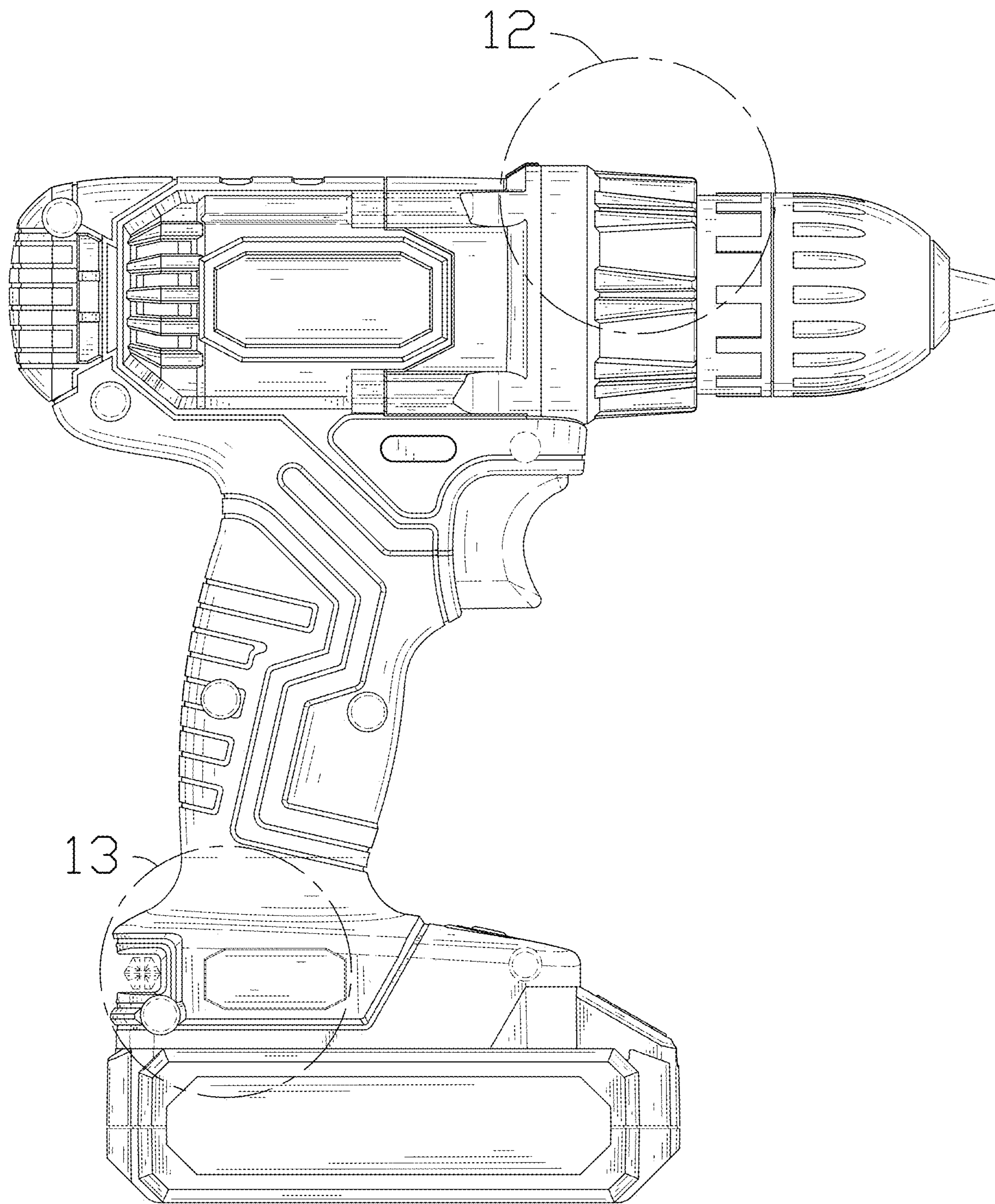


FIG. 5

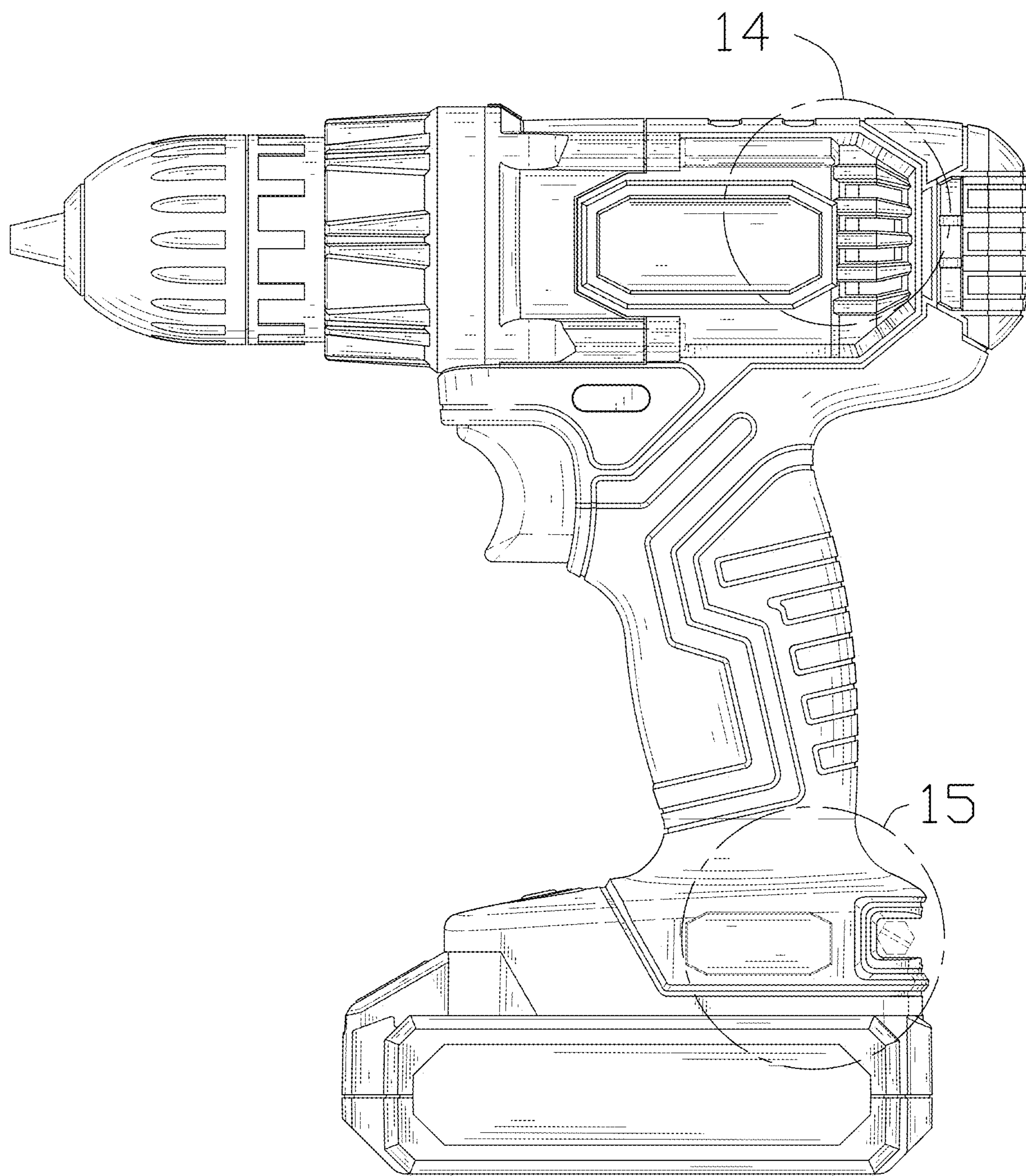


FIG. 6

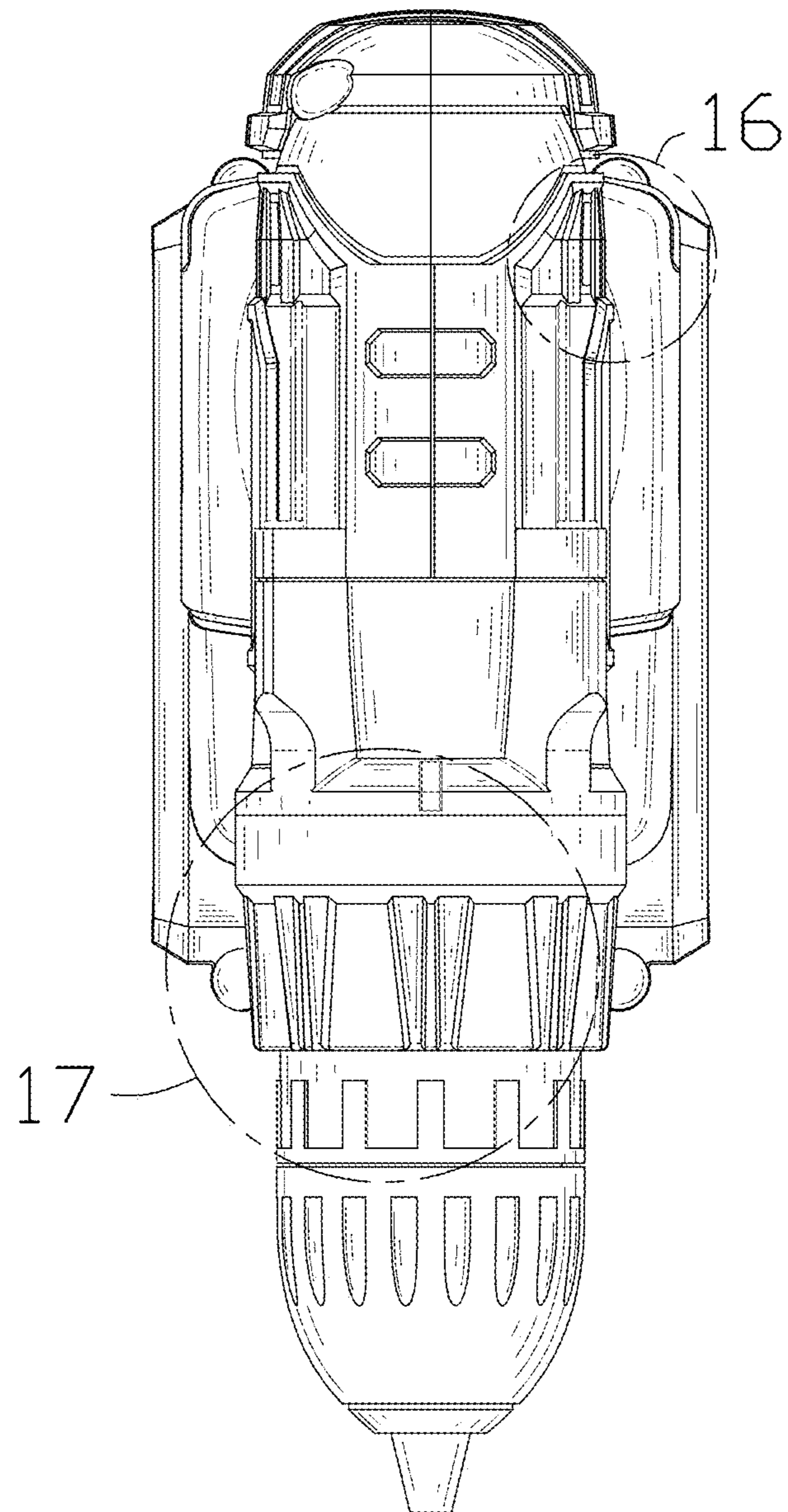


FIG. 7

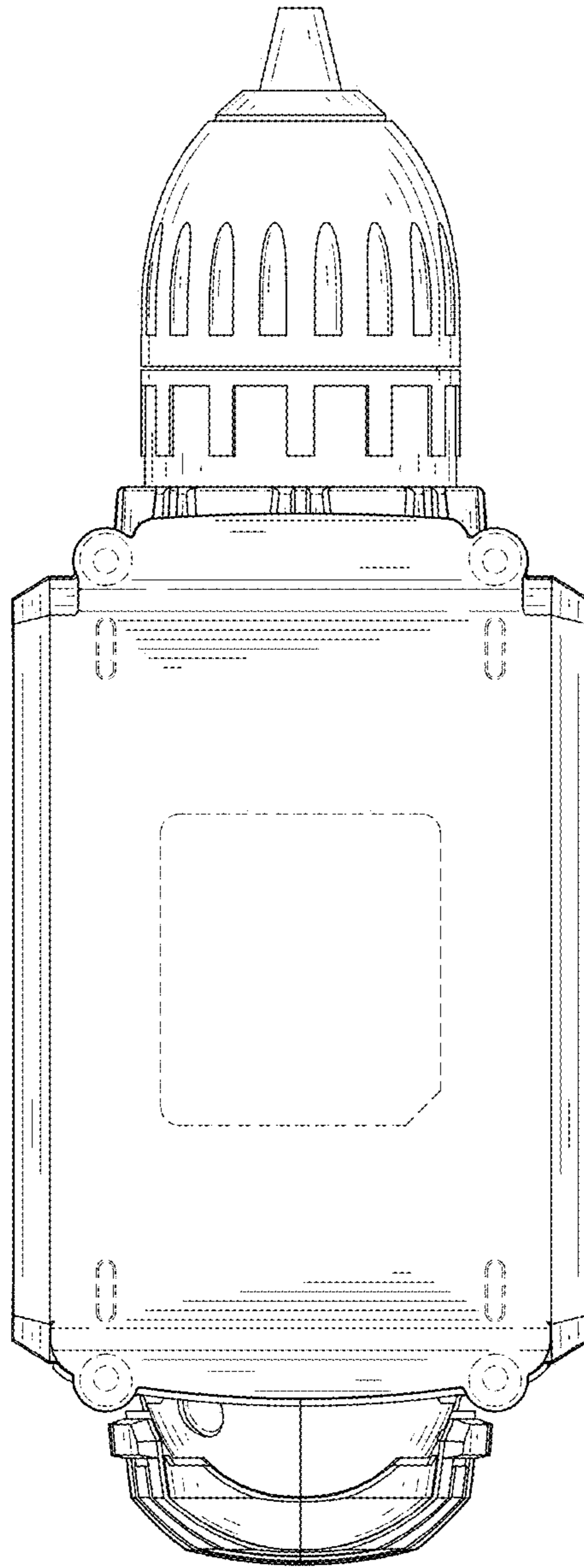


FIG. 8

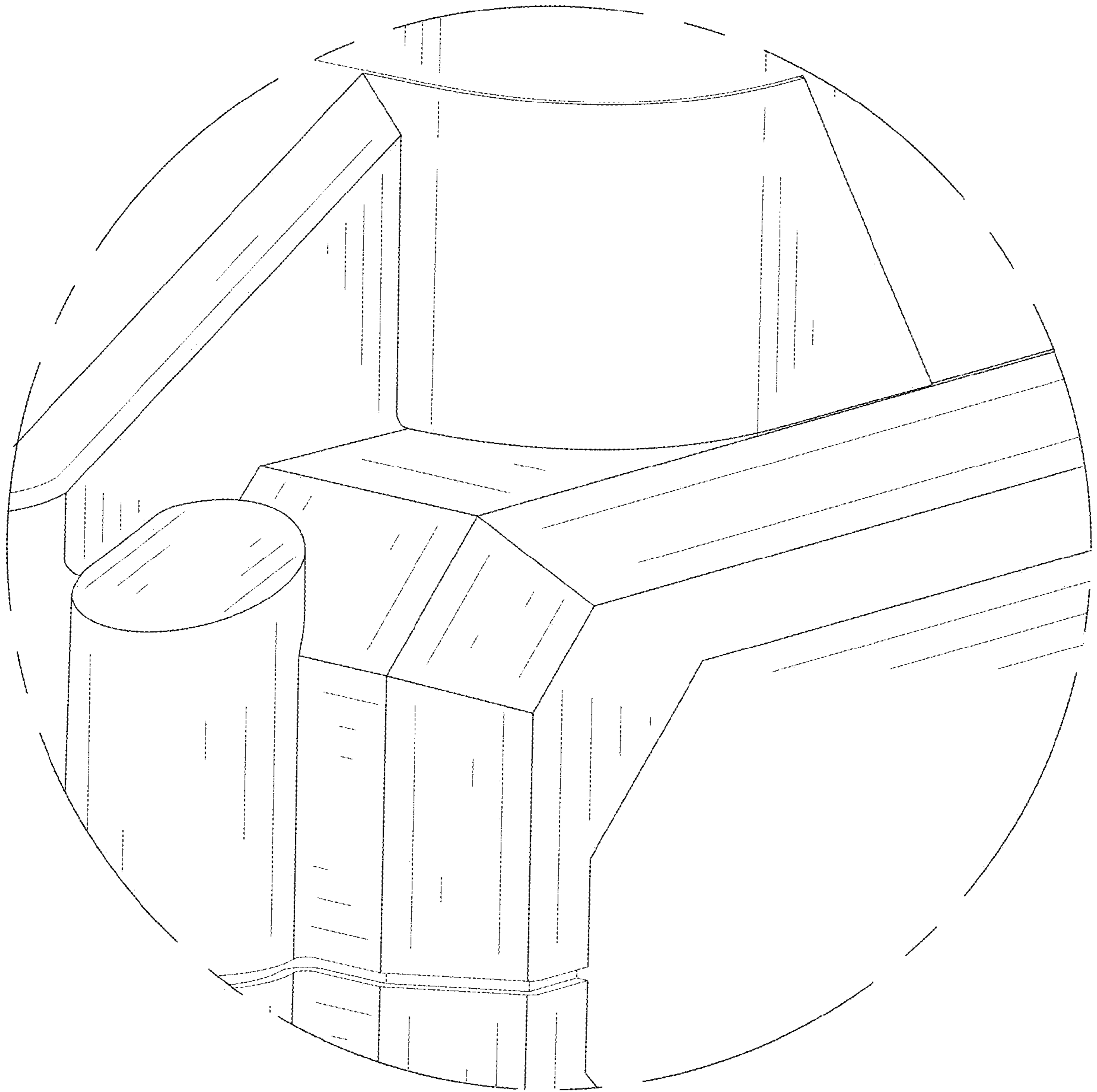


FIG. 9

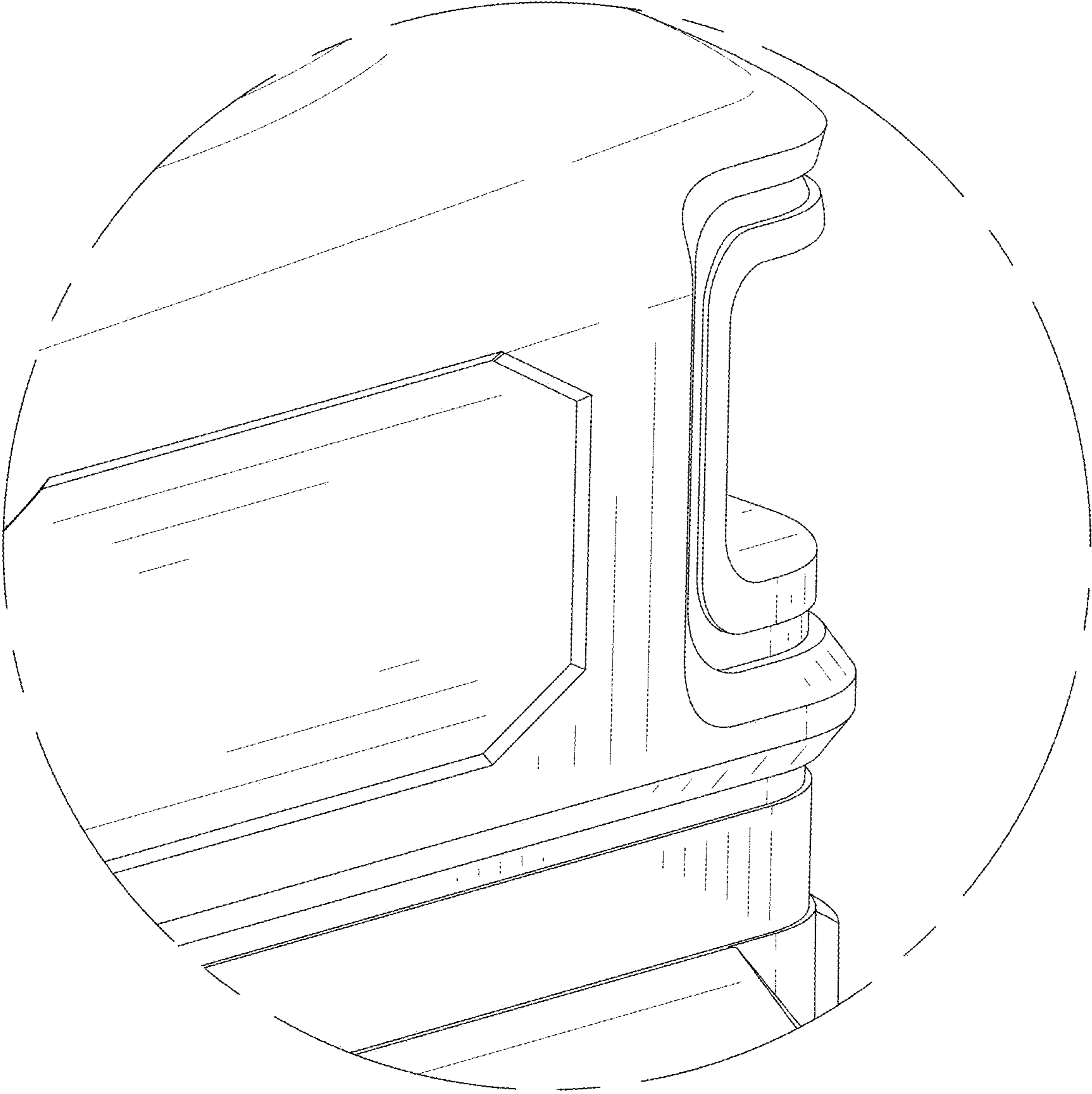


FIG. 10

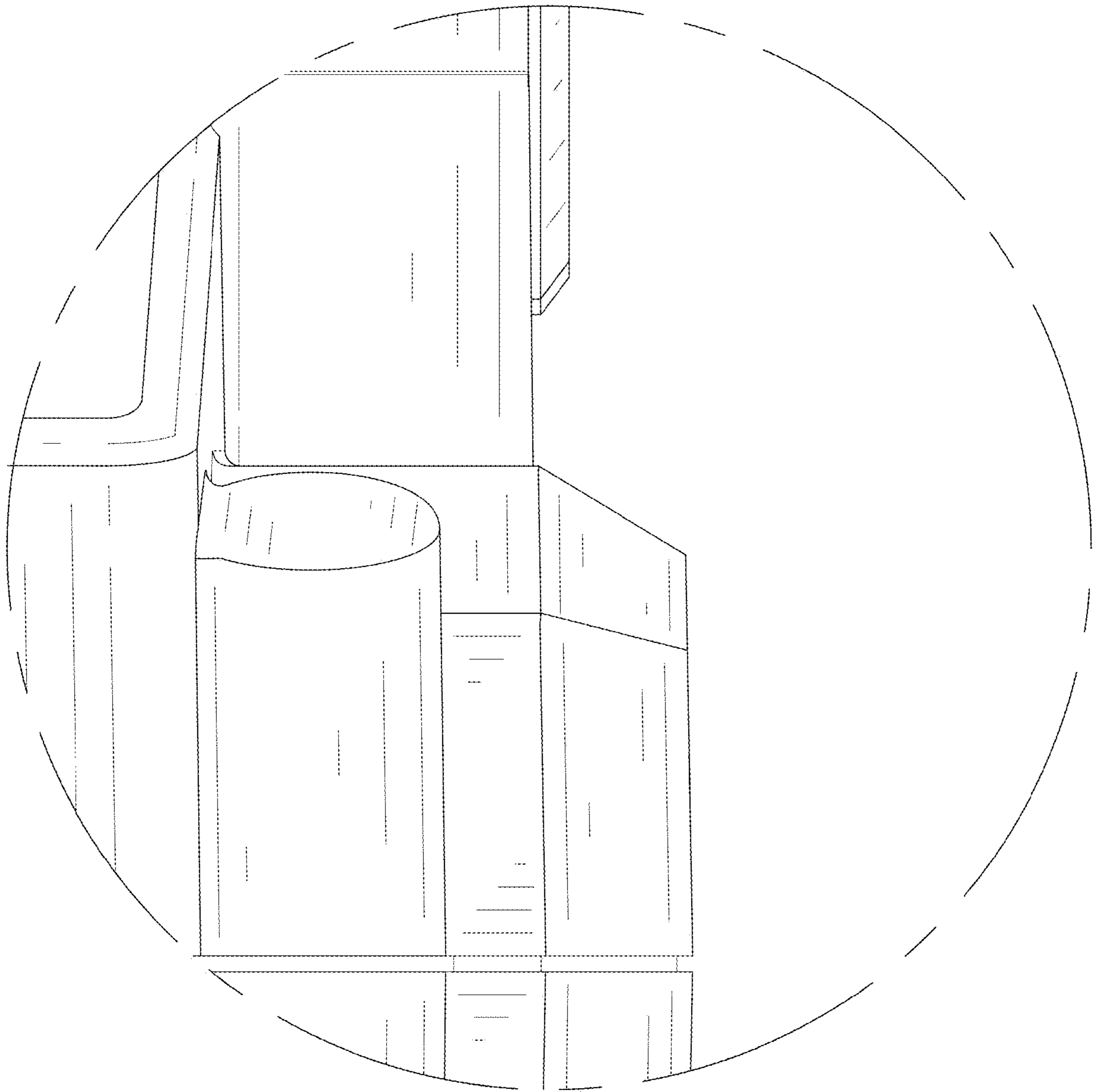


FIG. 11

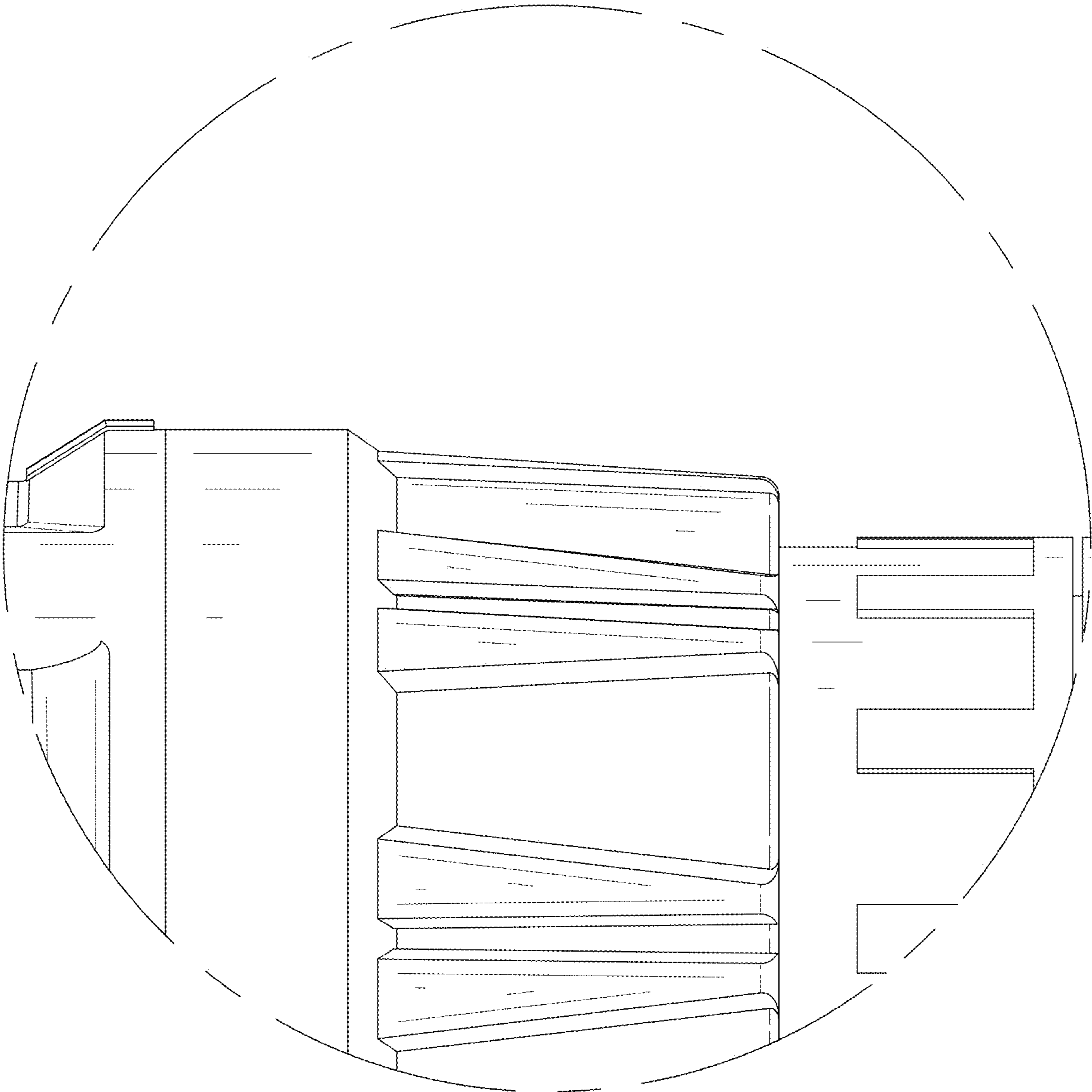


FIG. 12

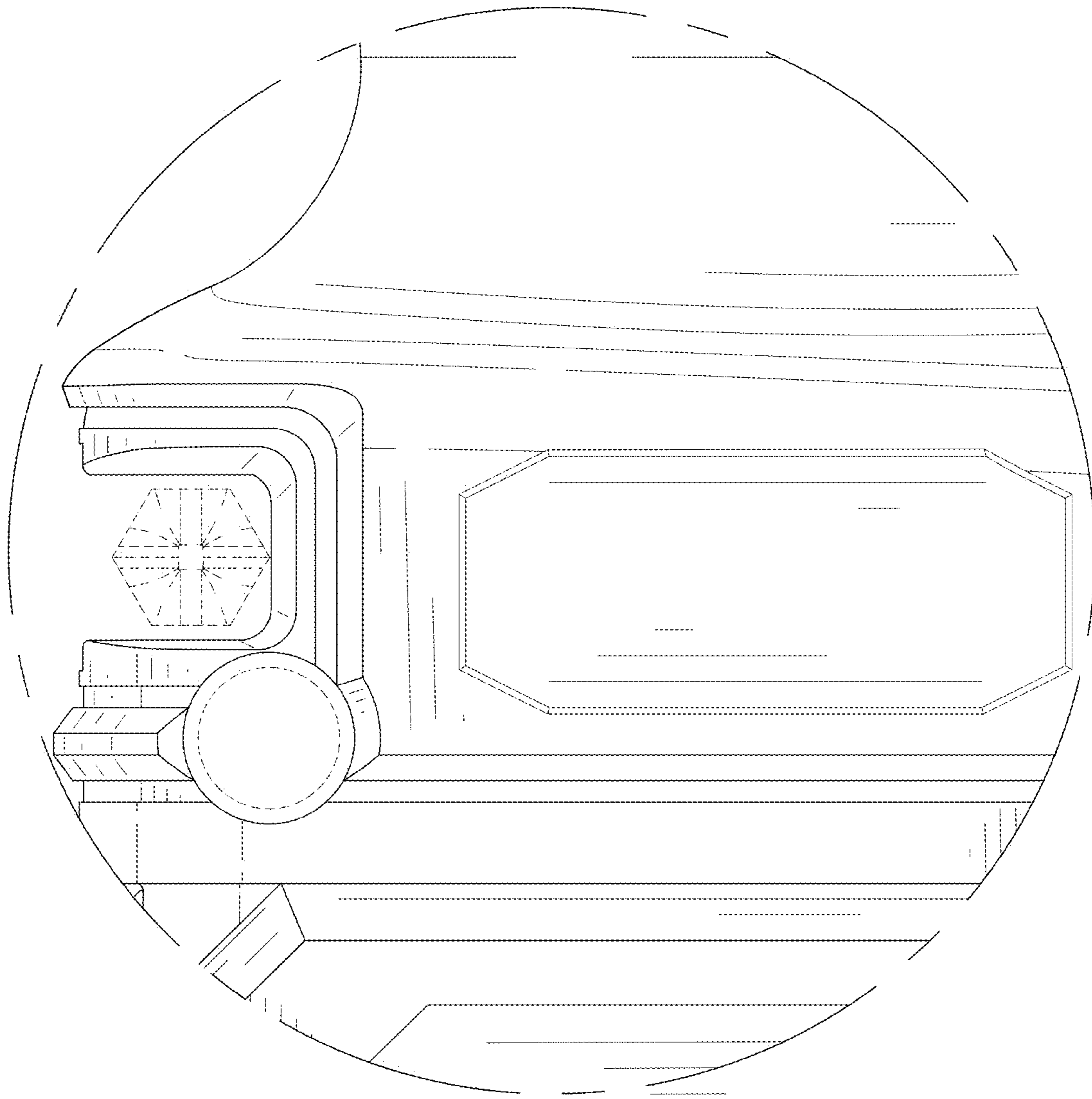


FIG. 13

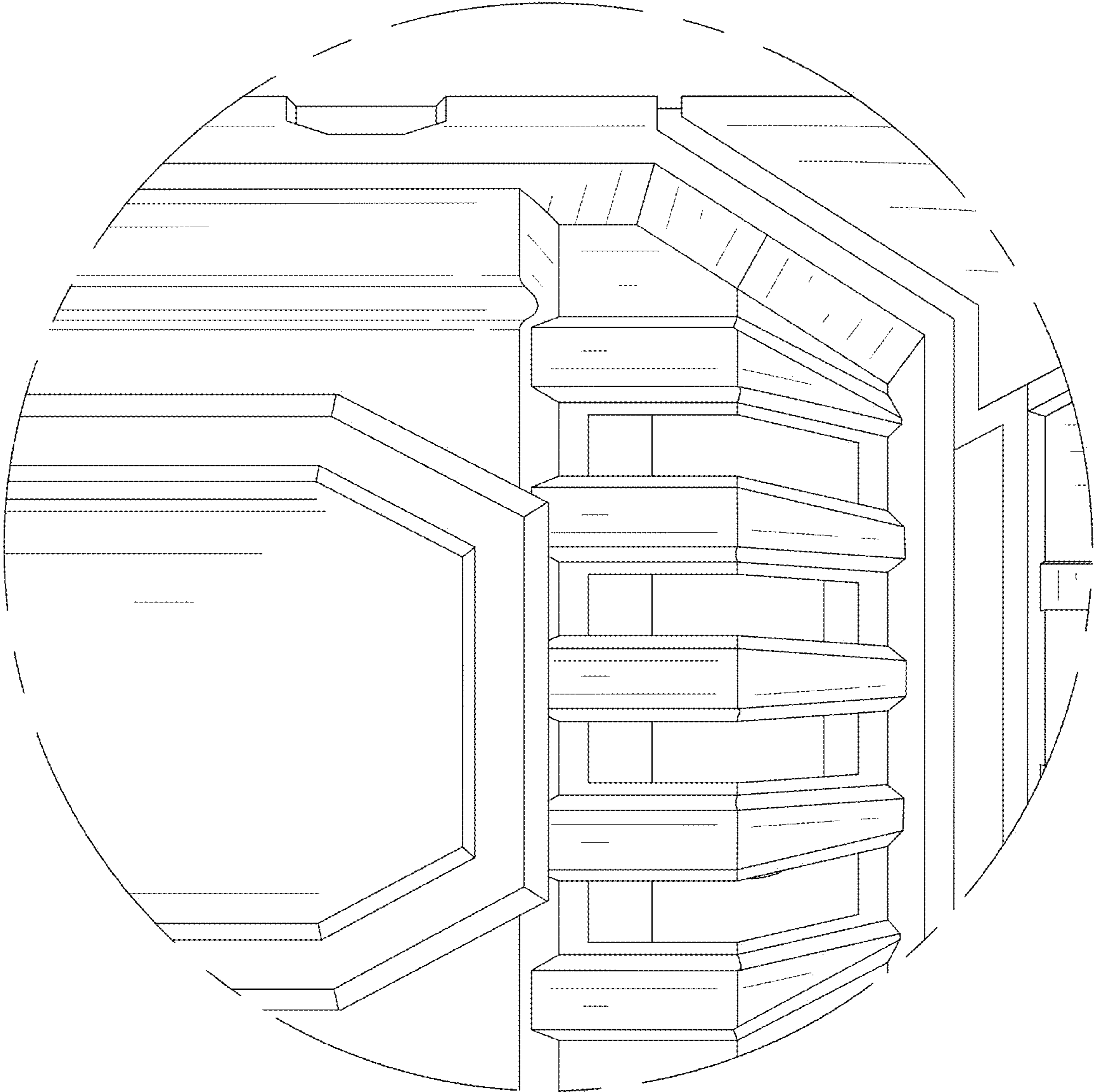


FIG. 14

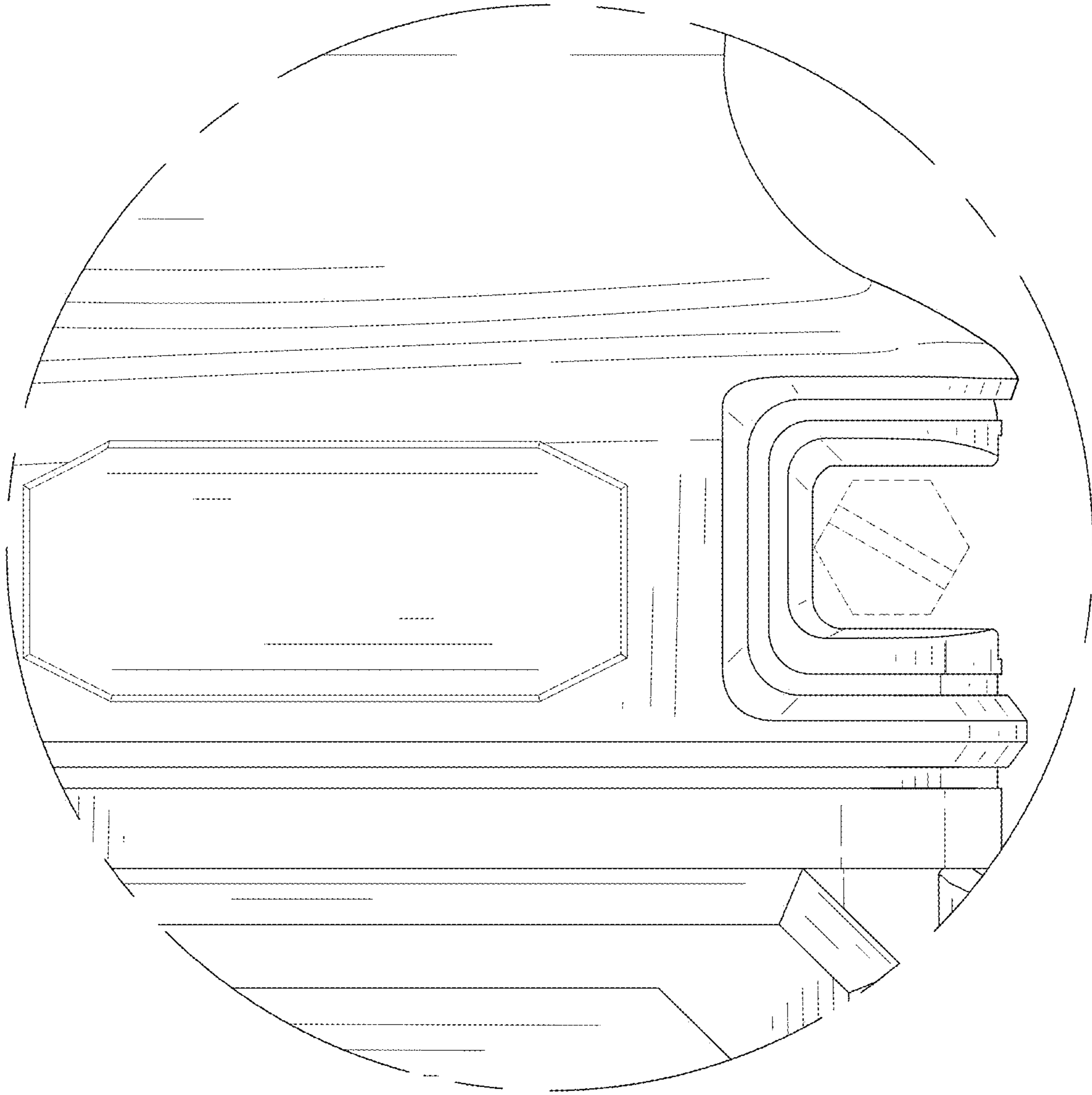


FIG. 15

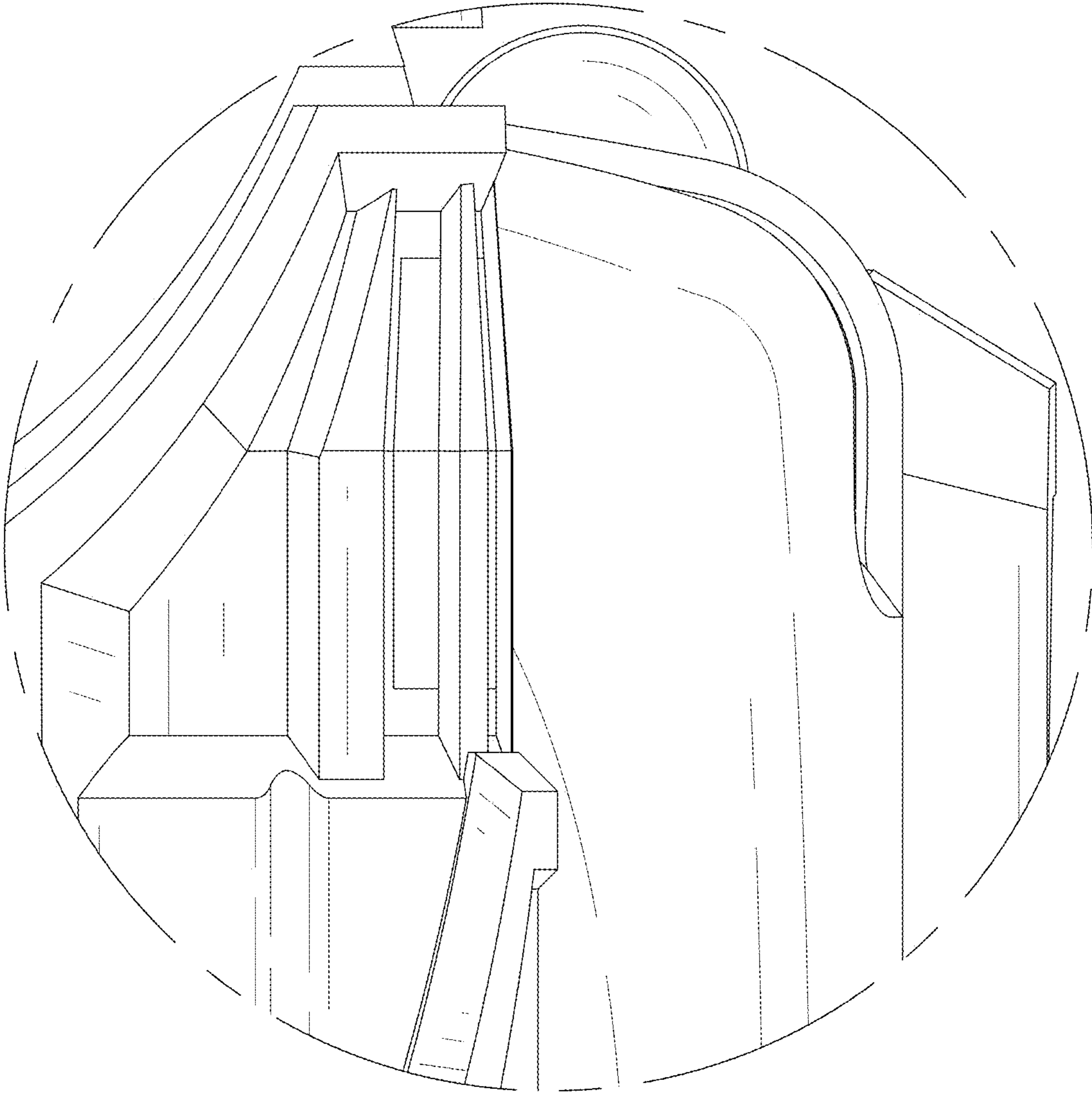


FIG. 16

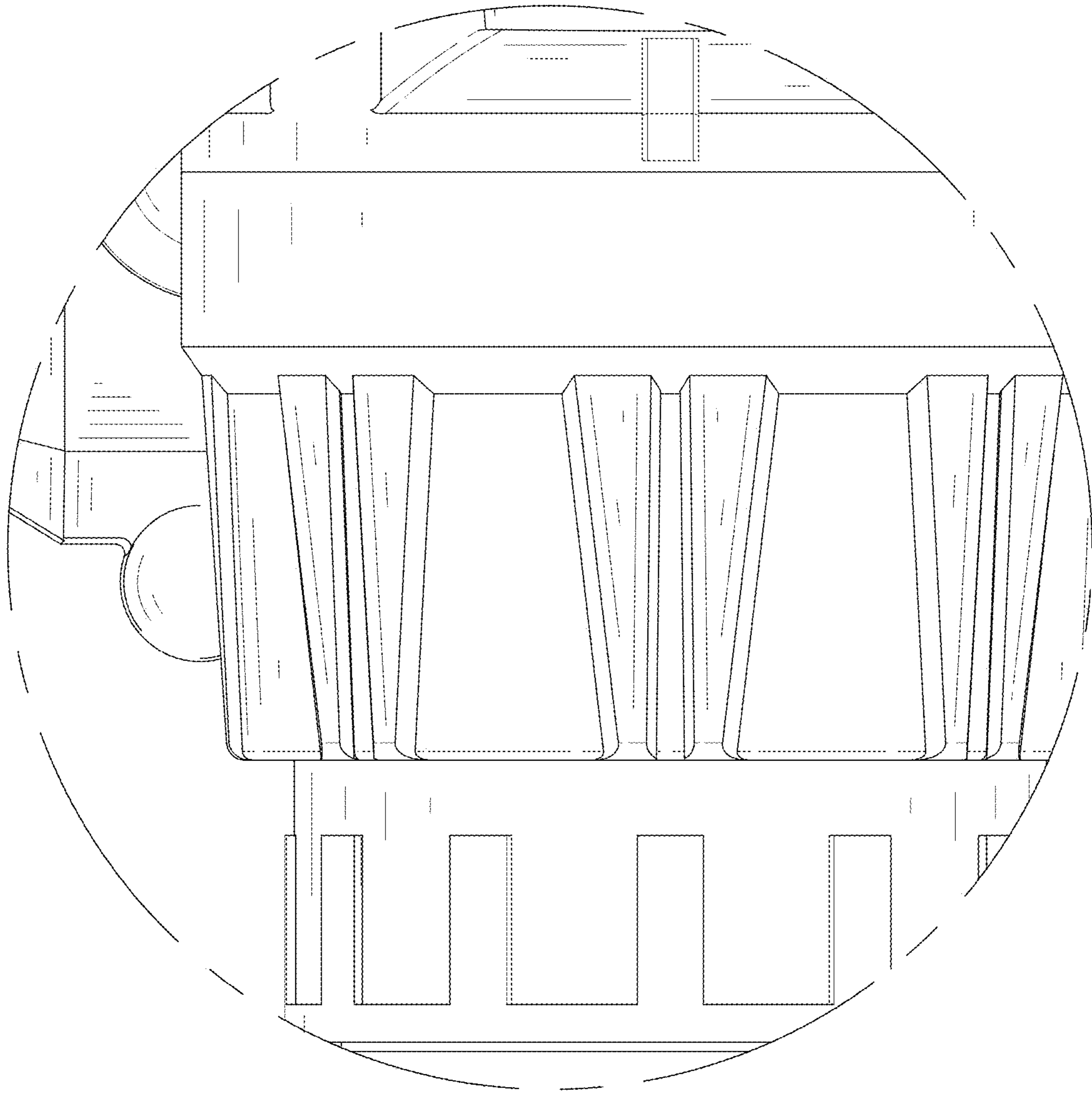


FIG. 17