



US00D882365S

(12) **United States Design Patent** (10) **Patent No.:** **US D882,365 S**
Xu (45) **Date of Patent:** **** Apr. 28, 2020**

(54) **RECHARGEABLE IMPACT SCREWDRIVER**

(71) Applicant: **JIANGSU HEHUI POWER TOOLS CO., LTD., Qidong (CN)**

(72) Inventor: **Cong Xu, Qidong (CN)**

(73) Assignee: **JIANGSU HEHUI POWER TOOLS CO., LTD., Qidong (CN)**

(**) Term: **15 Years**

(21) Appl. No.: **29/660,077**

(22) Filed: **Aug. 17, 2018**

(30) **Foreign Application Priority Data**

May 11, 2018 (CN) 2018 3 0212966

(51) **LOC (12) Cl.** **08-05**

(52) **U.S. Cl.**
USPC **D8/68**

(58) **Field of Classification Search**
USPC D8/61, 67, 68
CPC B62D 23/005; B62D 29/00; B62D 29/043;
B62D 31/00; B62D 33/046; B62D 35/00;
B62D 35/001; B60Q 1/0005
See application file for complete search history.

(56) **References Cited**

U.S. PATENT DOCUMENTS

D524,136 S *	7/2006	Taniguchi	D8/68
D525,099 S *	7/2006	Nagasaka	D8/68
D556,002 S *	11/2007	Ino	D8/68
D567,615 S *	4/2008	Taniguchi	D8/68
D577,558 S *	9/2008	Taniguchi	D8/68
D579,743 S *	11/2008	Lopano	D8/68
D584,123 S *	1/2009	Lopano	D8/68
D585,715 S *	2/2009	Okuda	D8/68
D585,716 S *	2/2009	Taniguchi	D8/68
D606,376 S *	12/2009	Okuda	D8/68
D610,421 S *	2/2010	Taniguchi	D8/68

D614,468 S *	4/2010	Aglassinger	D8/68
D617,622 S *	6/2010	Lopano	D8/68
D628,038 S *	11/2010	Aoki	D8/68
D656,804 S *	4/2012	Murray	D8/68
D672,627 S *	12/2012	Kawase	D8/61
D677,137 S *	3/2013	Kawase	D8/68
D678,024 S *	3/2013	Taniguchi	D8/68

(Continued)

Primary Examiner — Darlington Ly

(74) *Attorney, Agent, or Firm* — Bayramoglu Law Offices LLC

(57) **CLAIM**

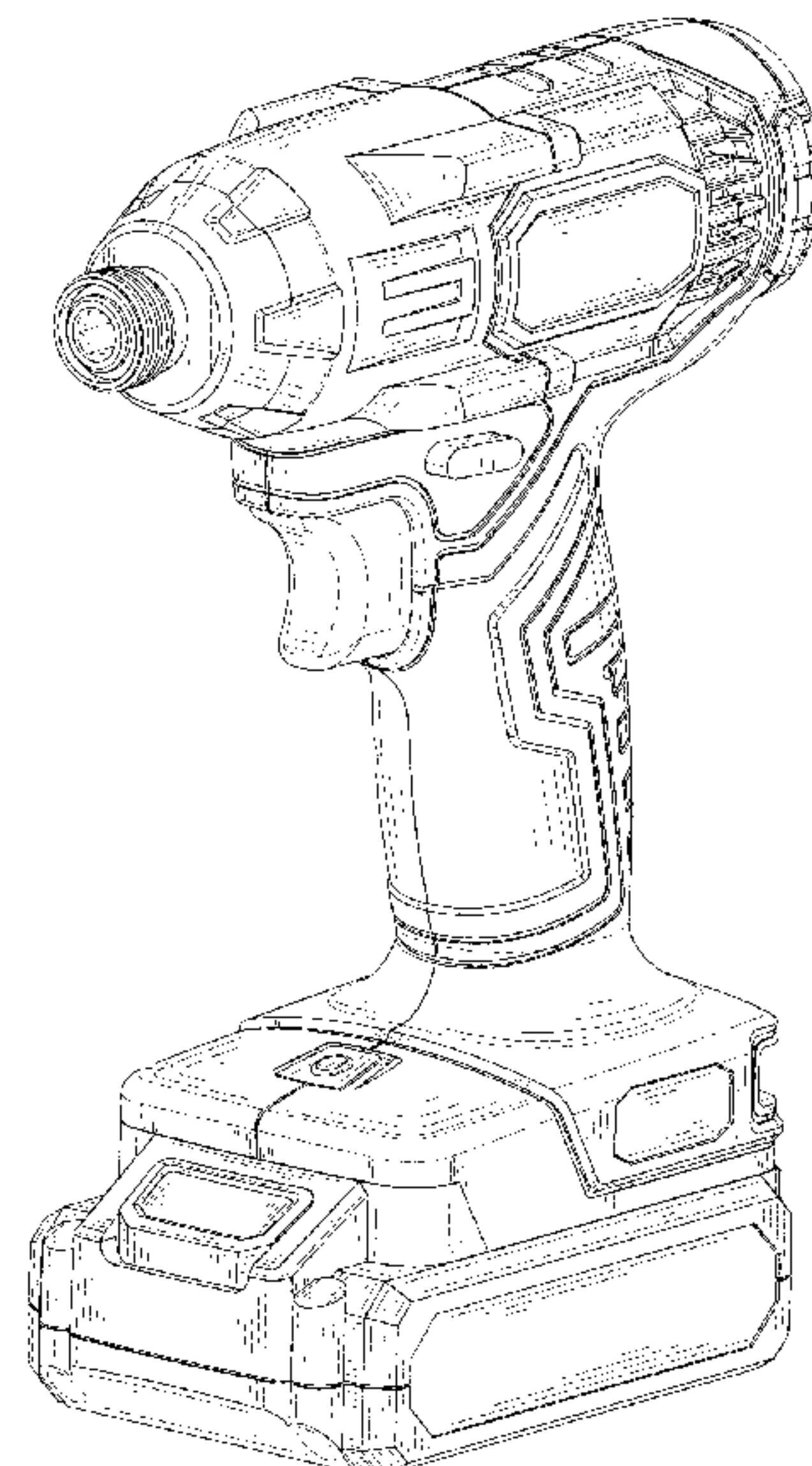
The ornamental design for a rechargeable impact screwdriver, as shown and described.

DESCRIPTION

FIG. 1 is a top-down perspective view of a rechargeable impact screwdriver showing my new design; FIG. 2 is a bottom-up perspective view thereof; FIG. 3 is a front side elevation view thereof; FIG. 4 is a rear side elevation view thereof; FIG. 5 is a left side elevation view thereof; FIG. 6 is a right side elevation view thereof; FIG. 7 is a top plan view thereof; FIG. 8 is a bottom plan view thereof; FIG. 9 is a first partially enlarged view of FIG. 3; FIG. 10 is a second partially enlarged view of FIG. 3; FIG. 11 is a third partially enlarged view of FIG. 3; FIG. 12 is a fourth partially enlarged view of FIG. 3; FIG. 13 is a first partially enlarged view of FIG. 4; FIG. 14 is a second partially enlarged view of FIG. 4; FIG. 15 is a partially enlarged view of FIG. 6; and, FIG. 16 is a partially enlarged view of FIG. 7.

Broken lines depict portions of the rechargeable impact screwdriver that form no part of the claimed design. Dot-dash broken lines depict boundaries of the partially enlarged parts of the corresponding figures that form no part of the claimed design.

1 Claim, 16 Drawing Sheets



(56)

References Cited

U.S. PATENT DOCUMENTS

D679,160 S *	4/2013	Okuda	D8/68
D679,161 S *	4/2013	Kawase	D8/61
D691,444 S *	10/2013	Tirone	D8/68
D700,822 S *	3/2014	Tschopp	D8/68
D707,522 S *	6/2014	Naksen	D8/68
D721,938 S *	2/2015	Aoki	D8/68
D761,069 S *	7/2016	Aoki	D8/68
D777,545 S *	1/2017	Kosugi	D8/68

* cited by examiner

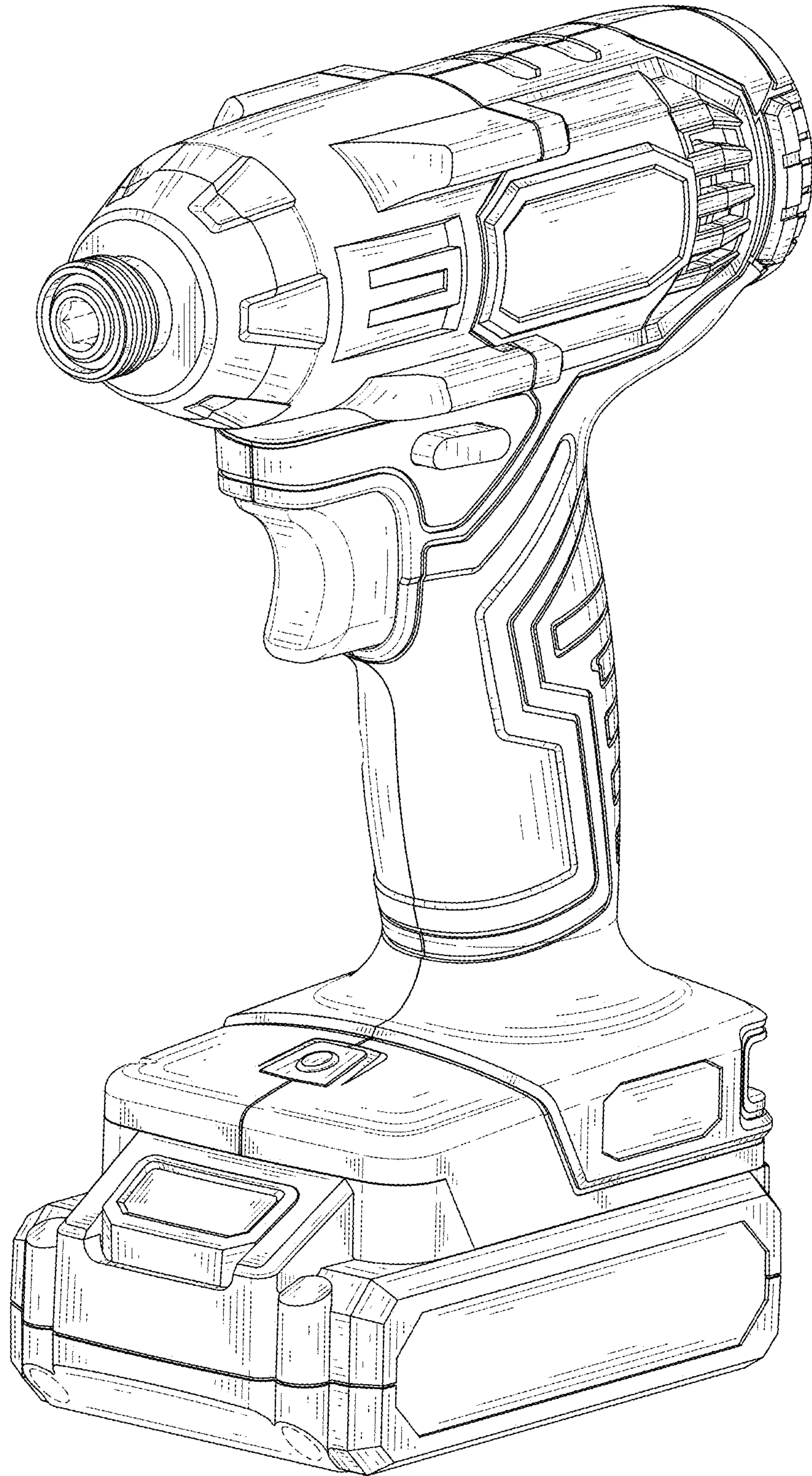


FIG. 1

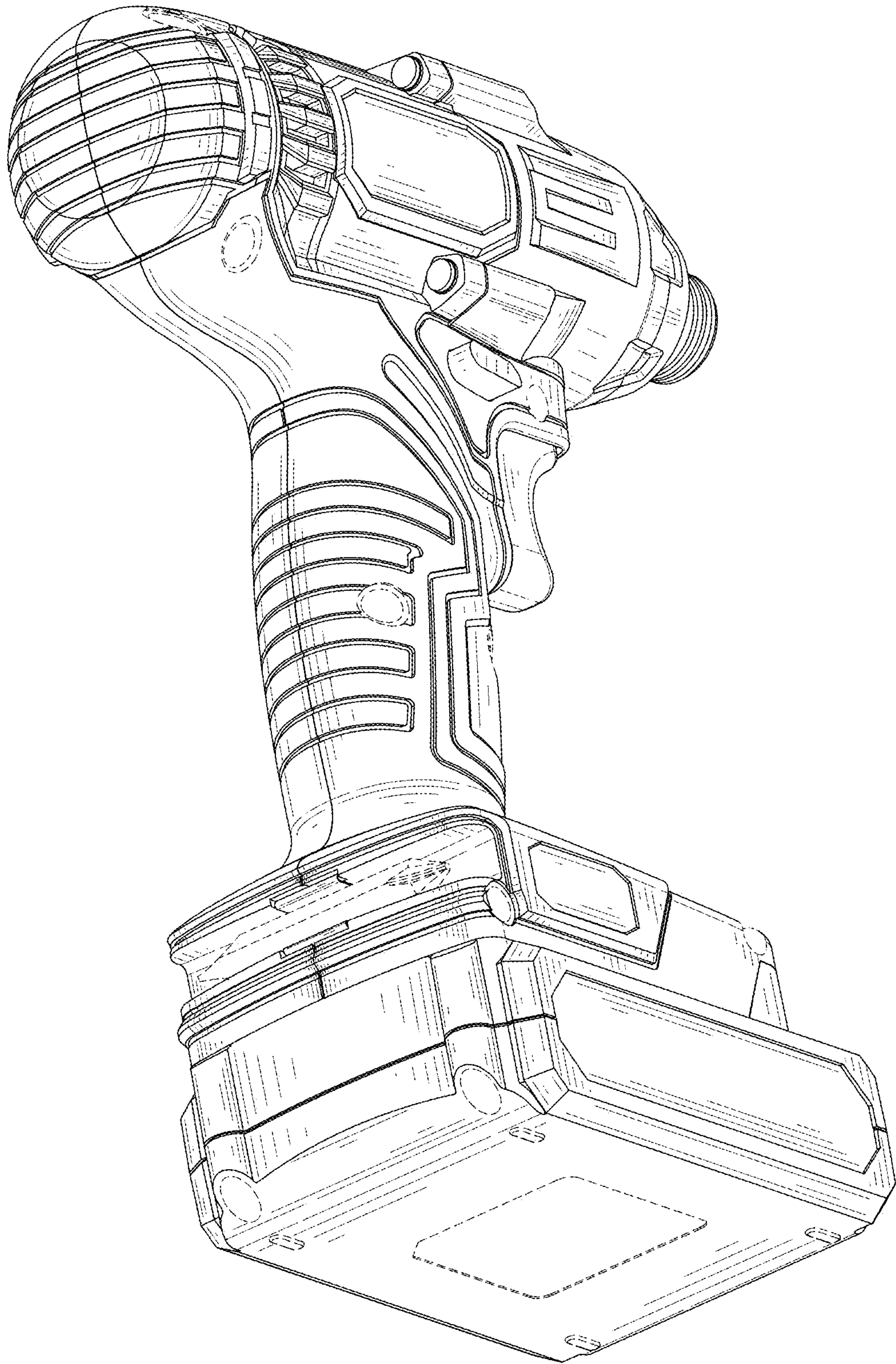


FIG. 2

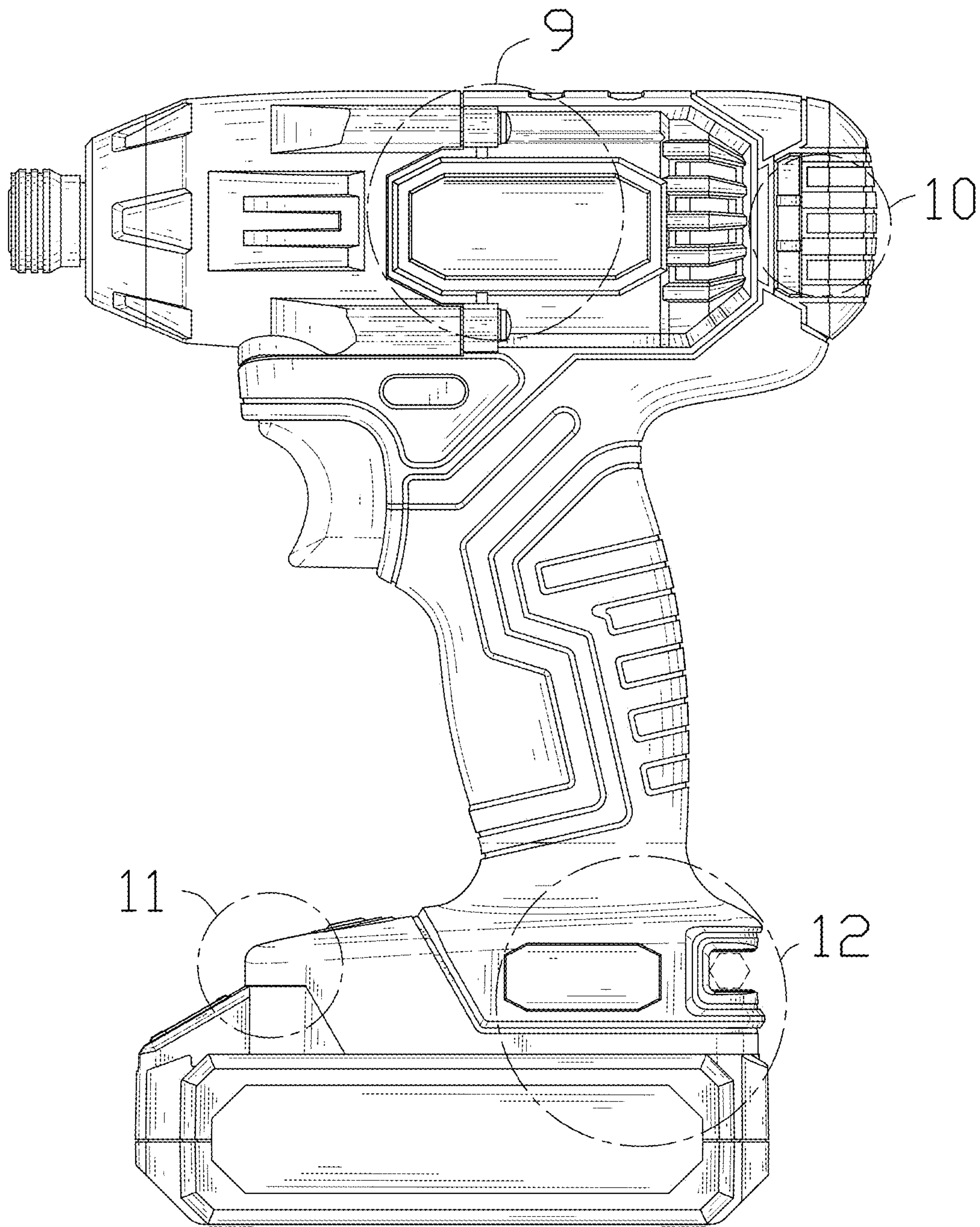


FIG. 3

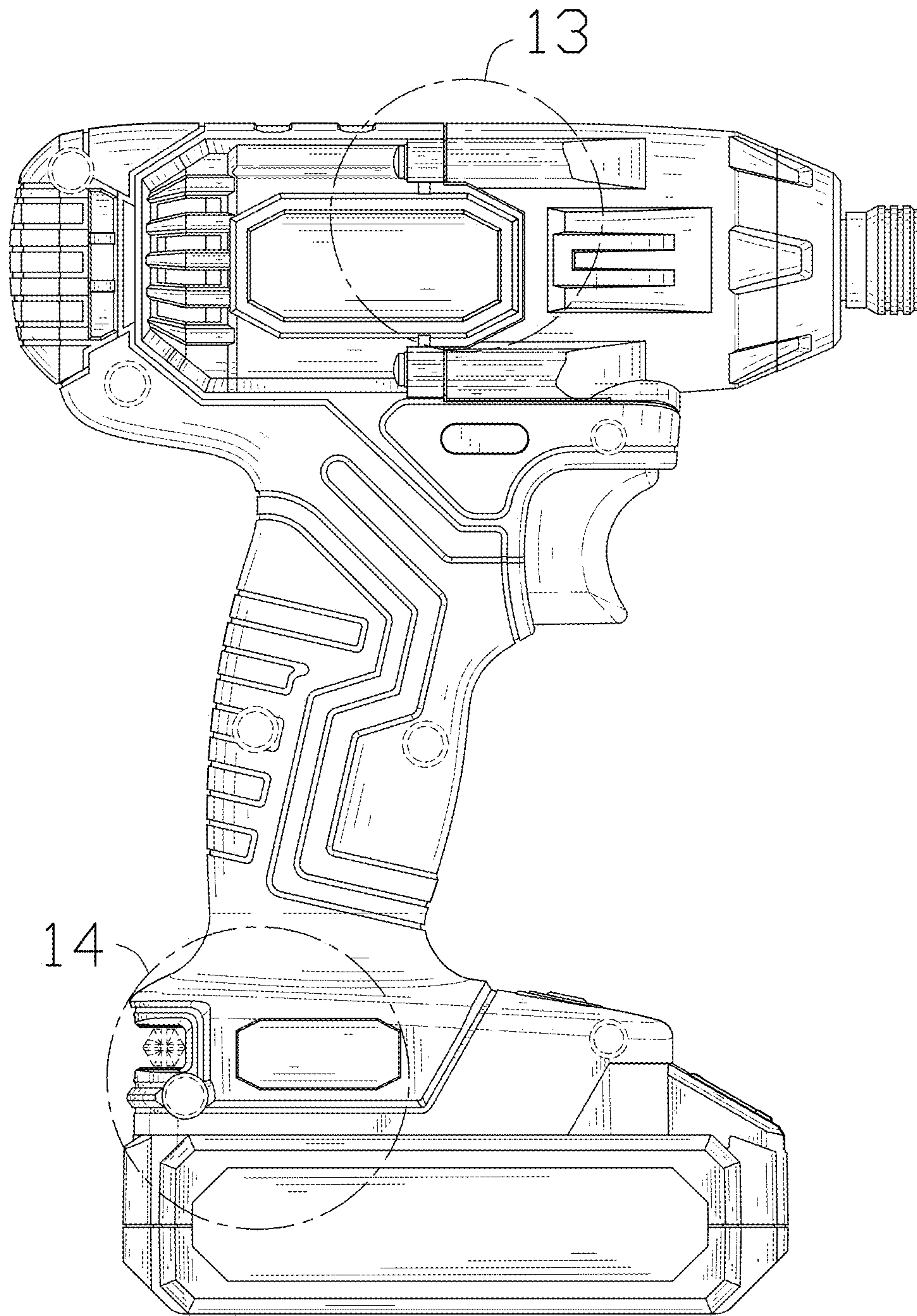


FIG. 4

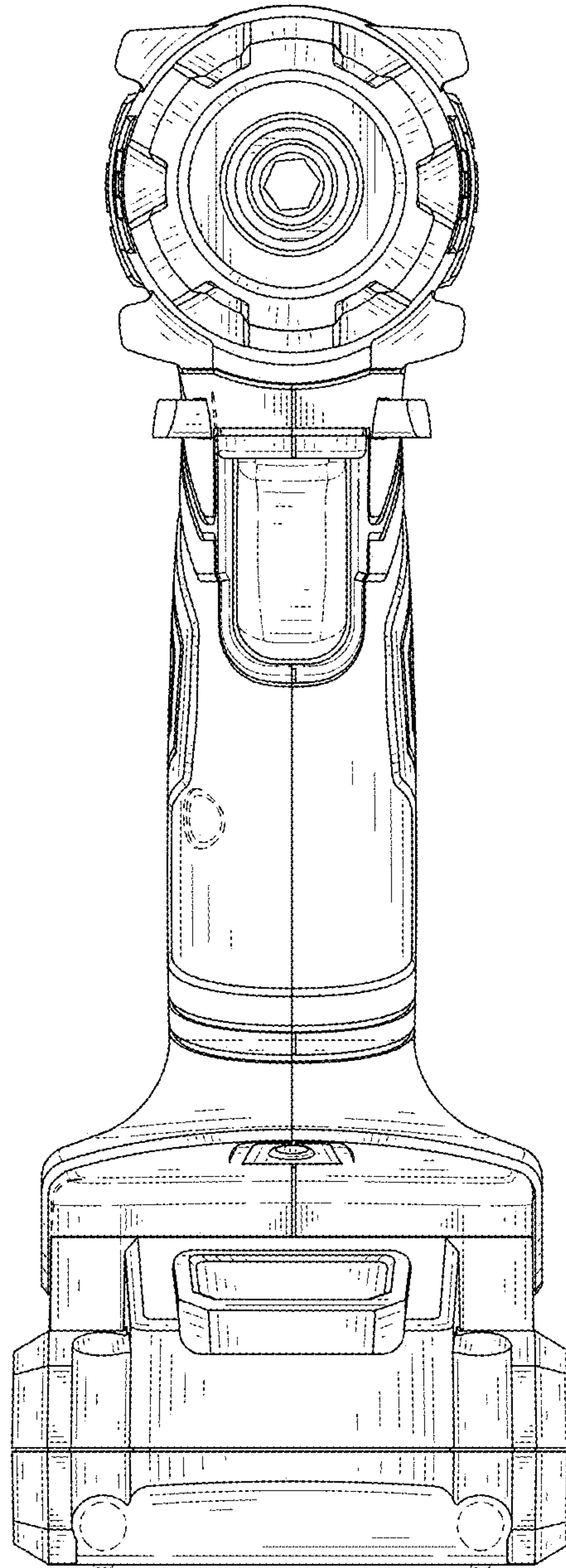


FIG. 5

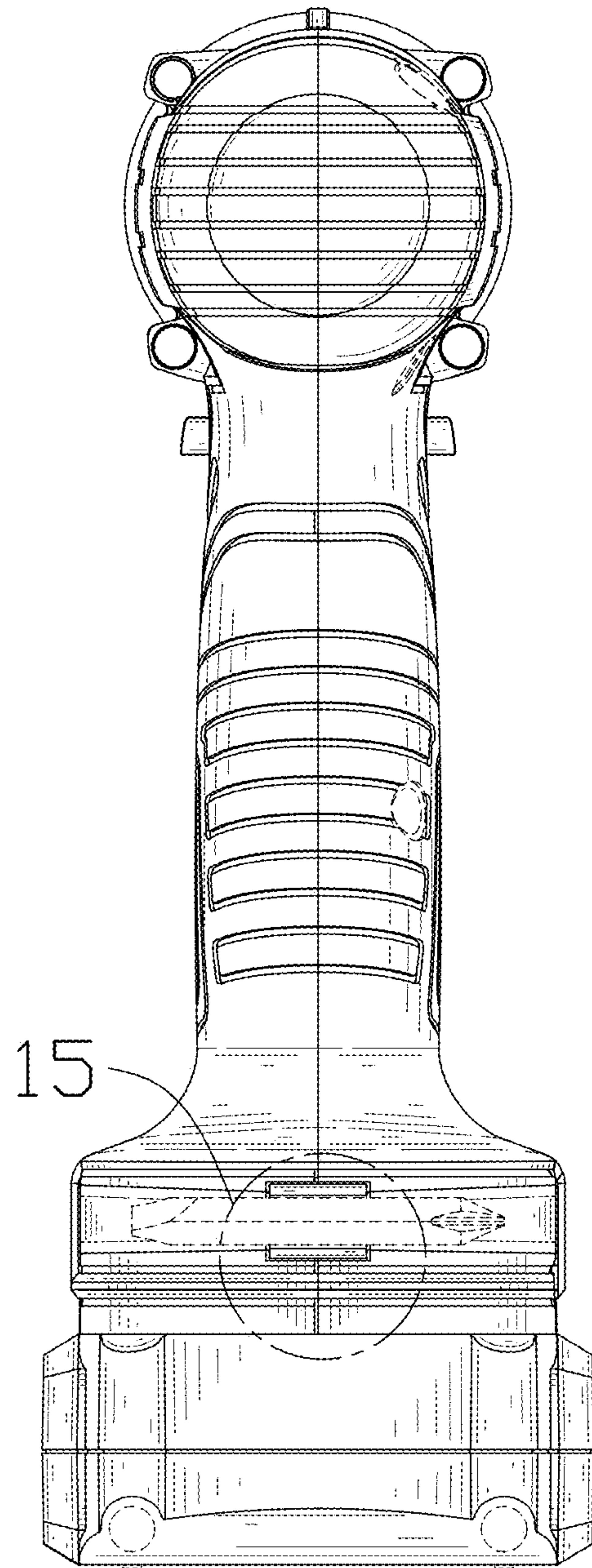


FIG. 6

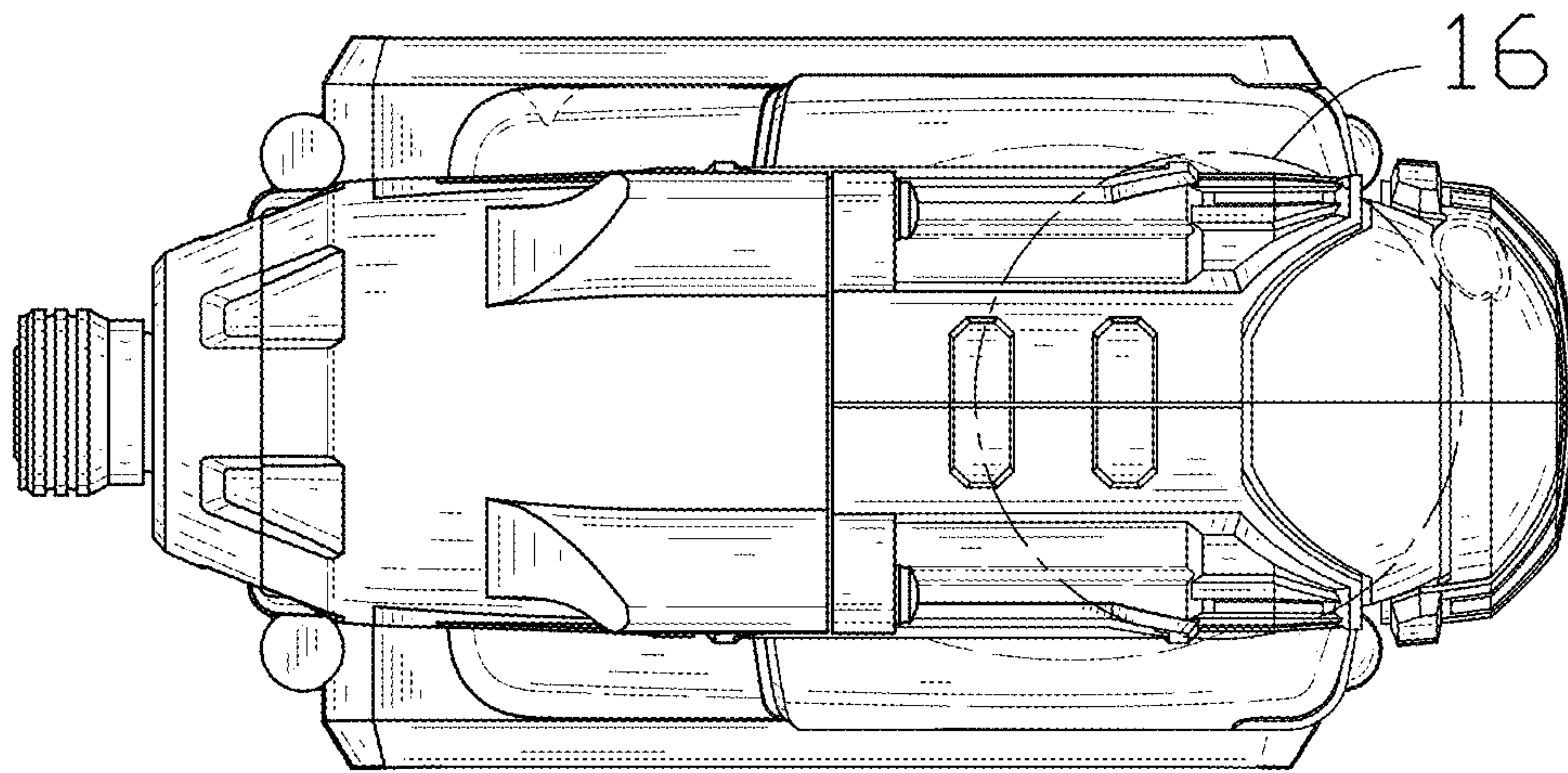


FIG. 7

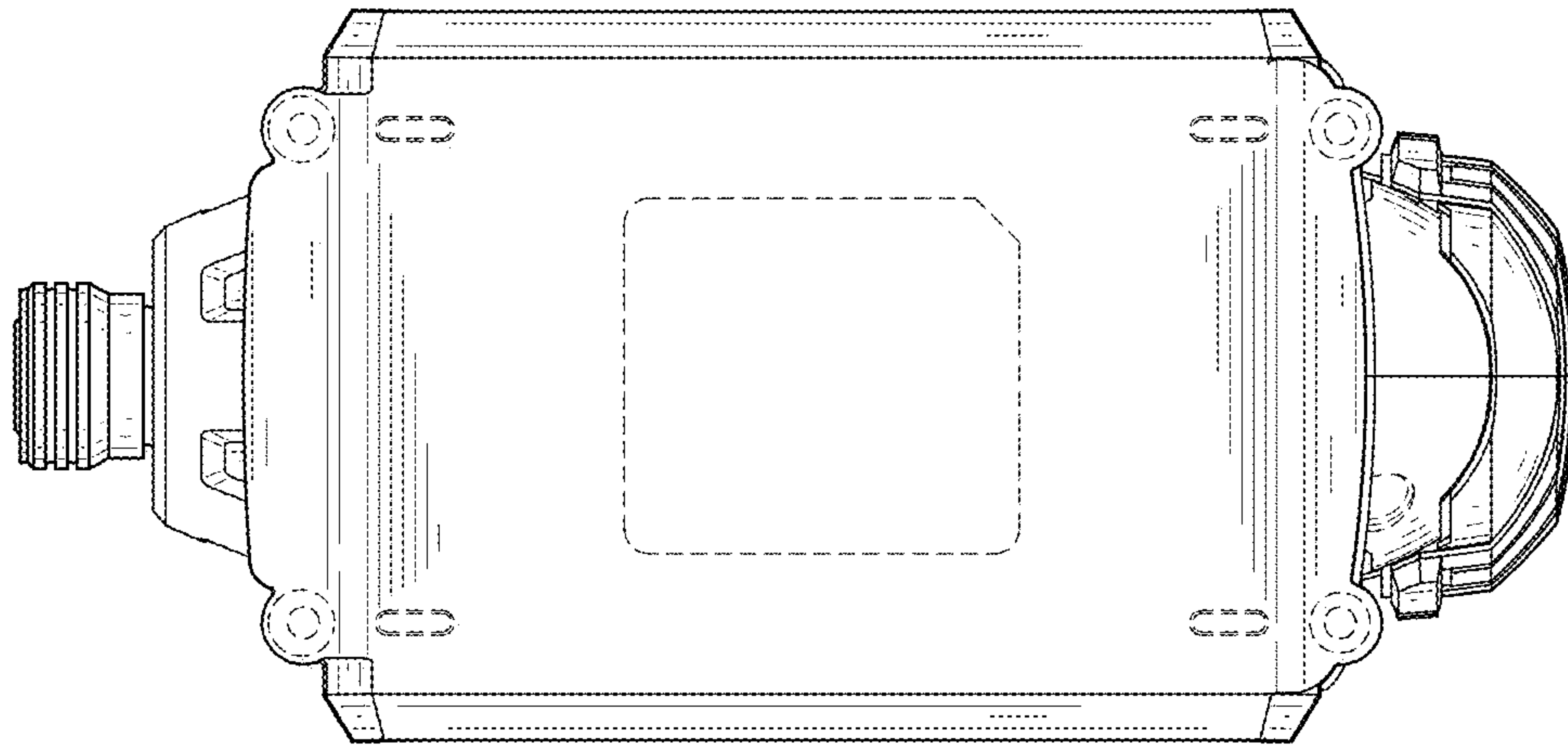


FIG. 8

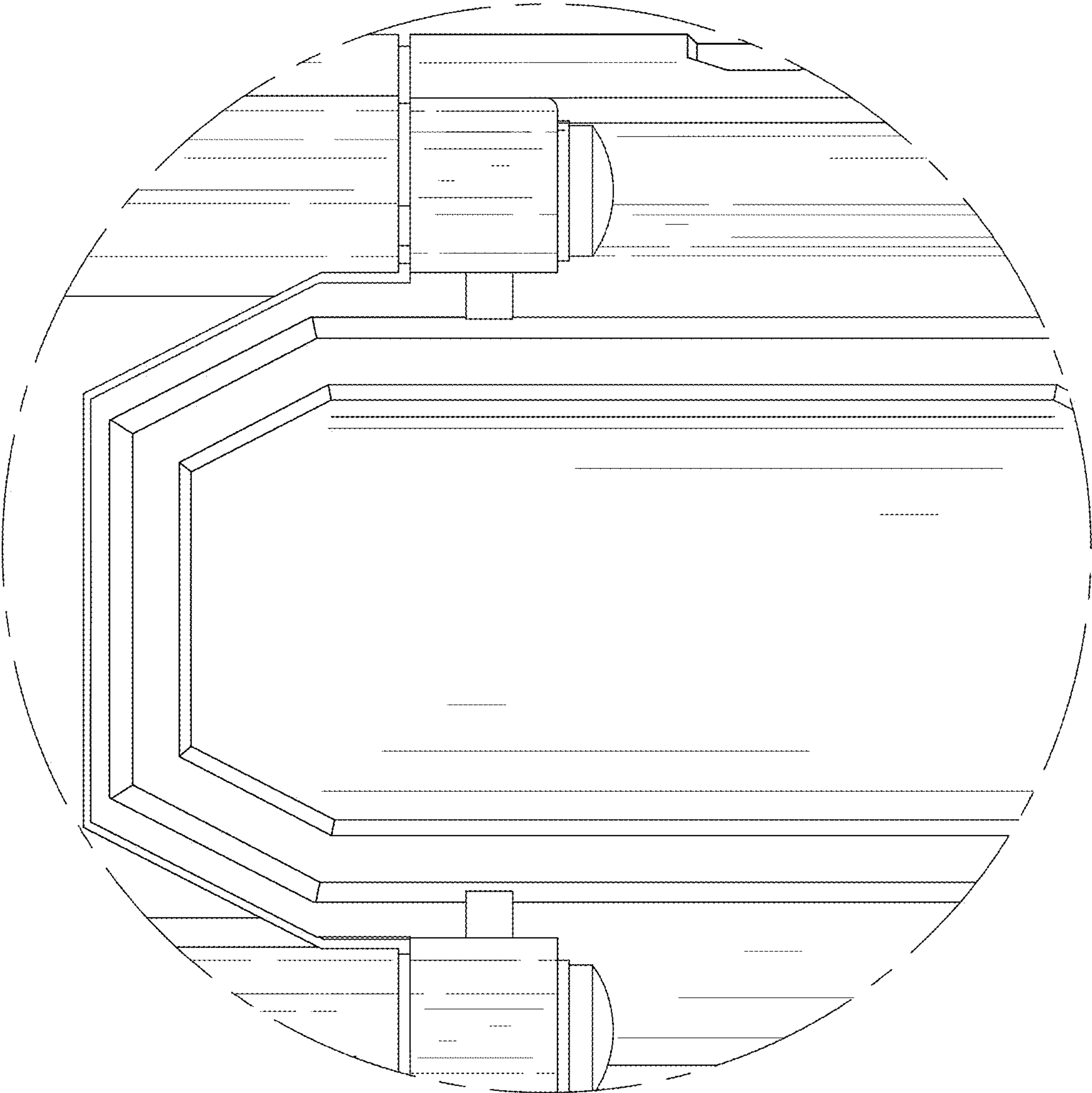


FIG. 9

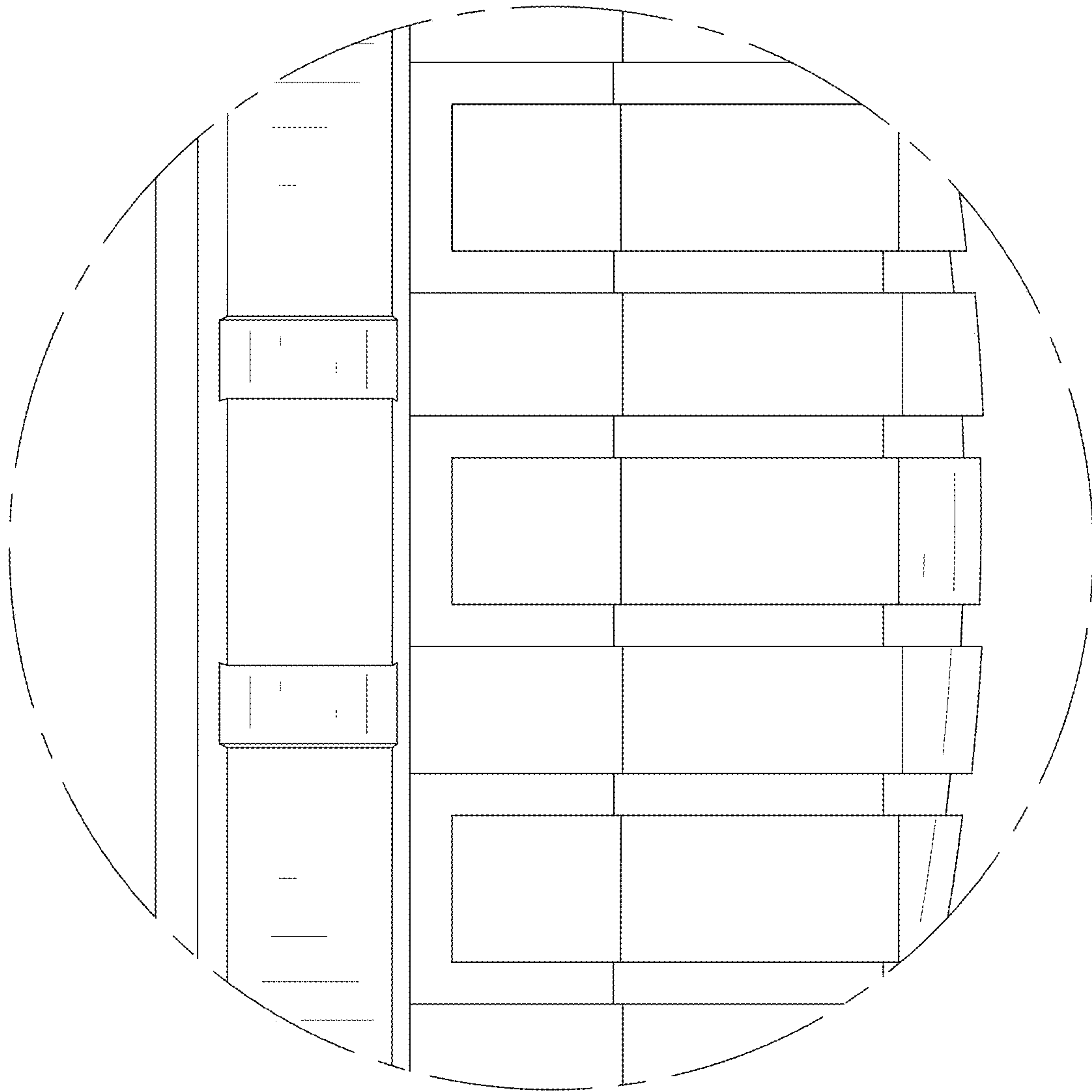


FIG. 10

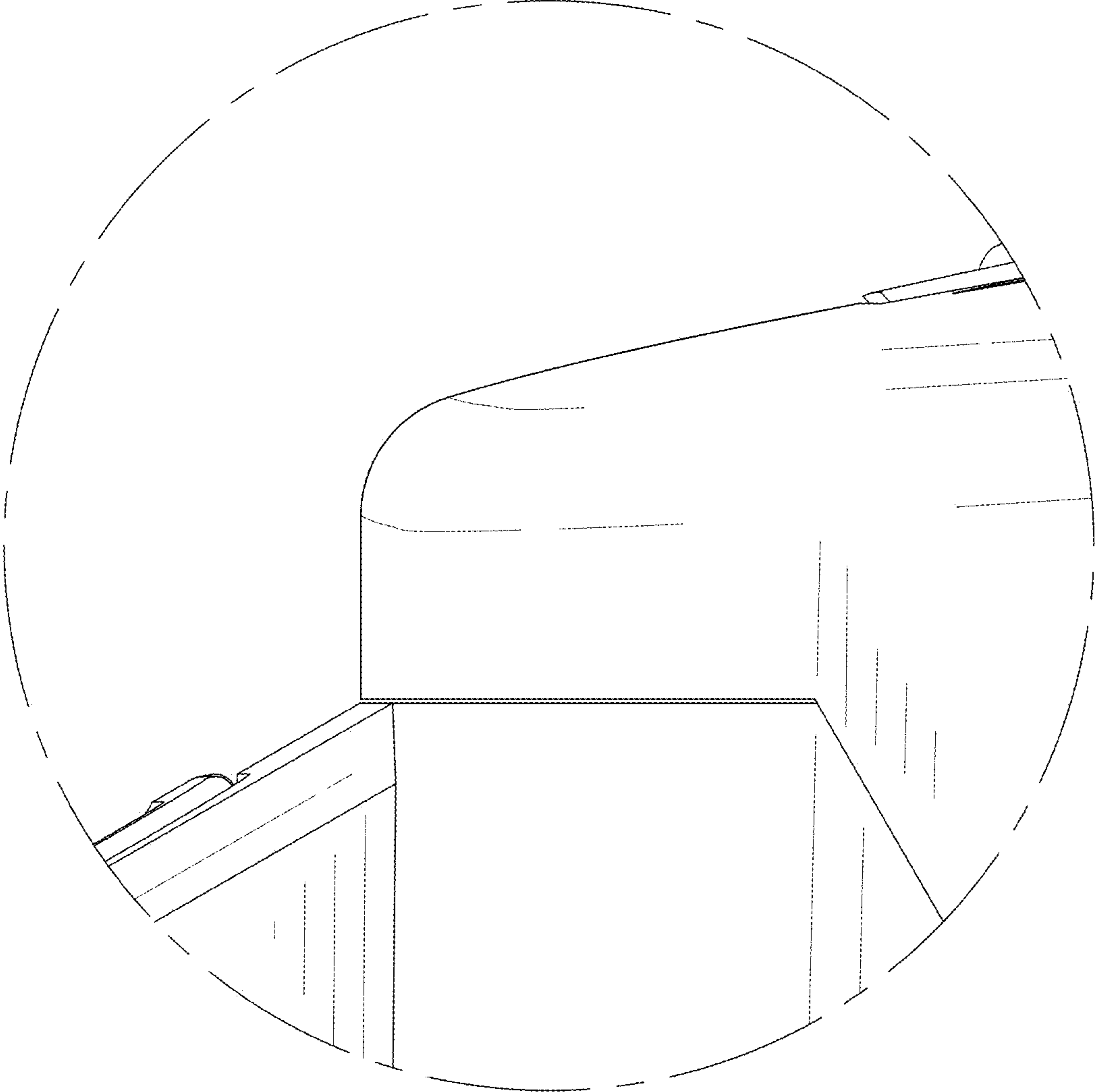


FIG. 11

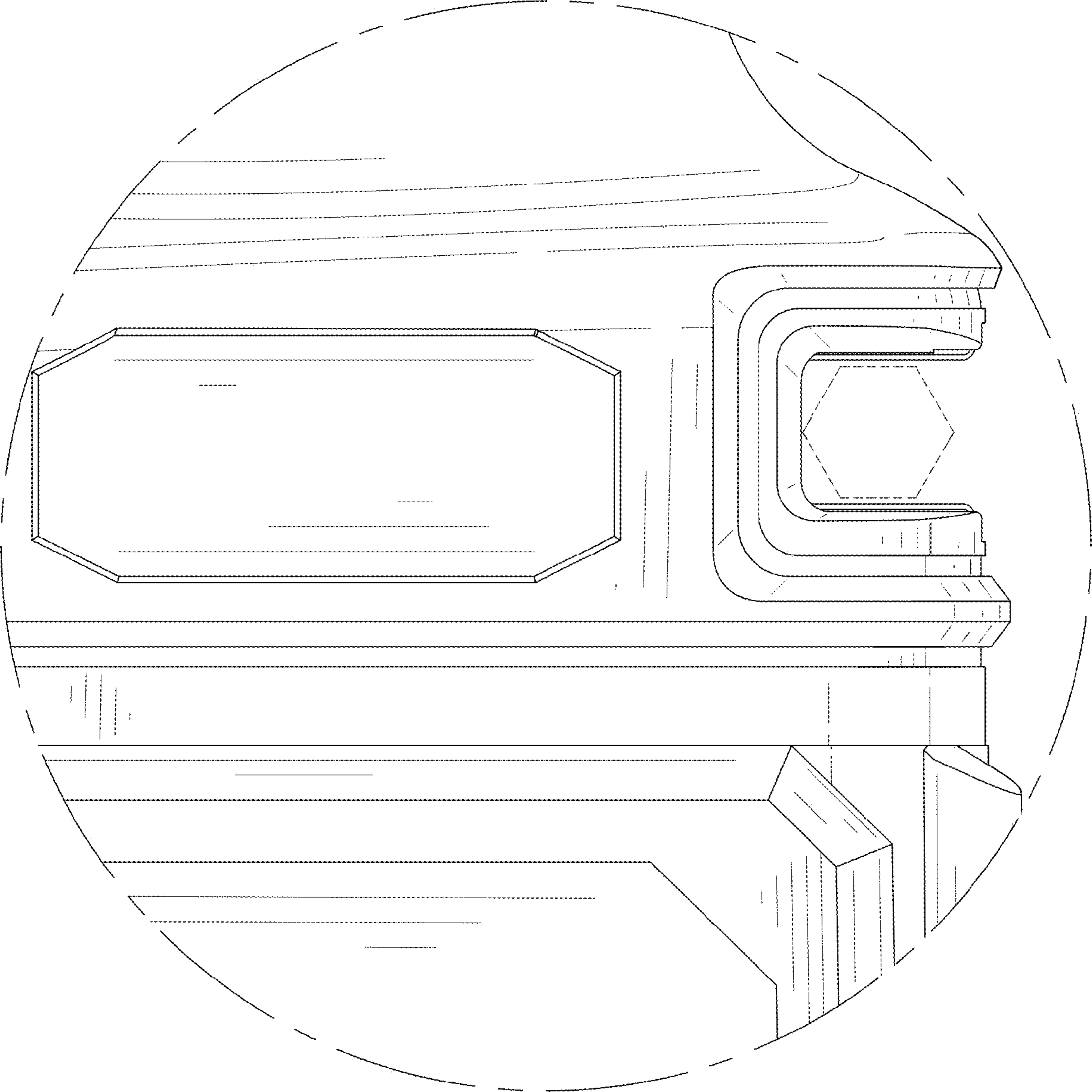


FIG. 12

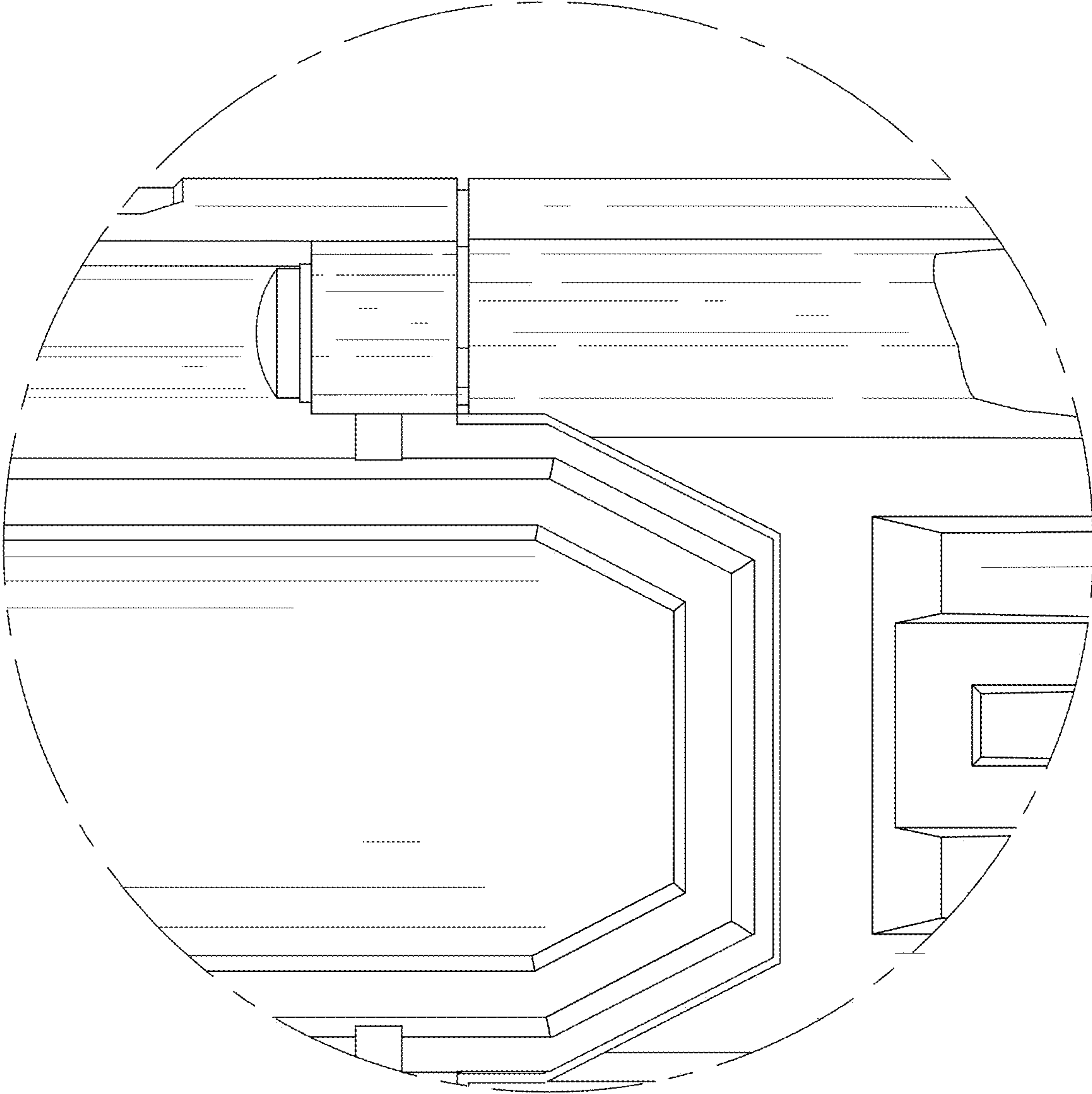


FIG. 13

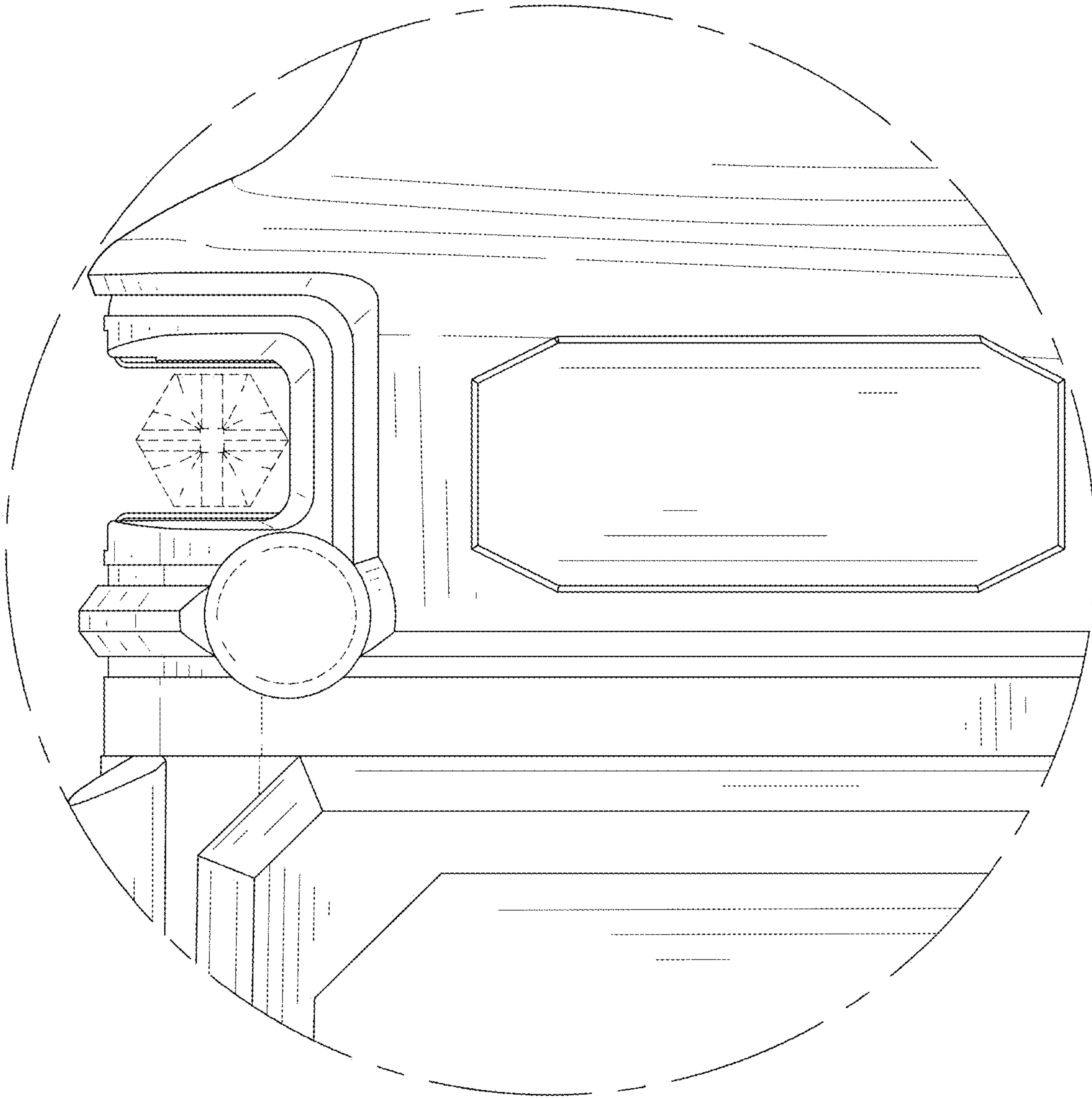


FIG. 14

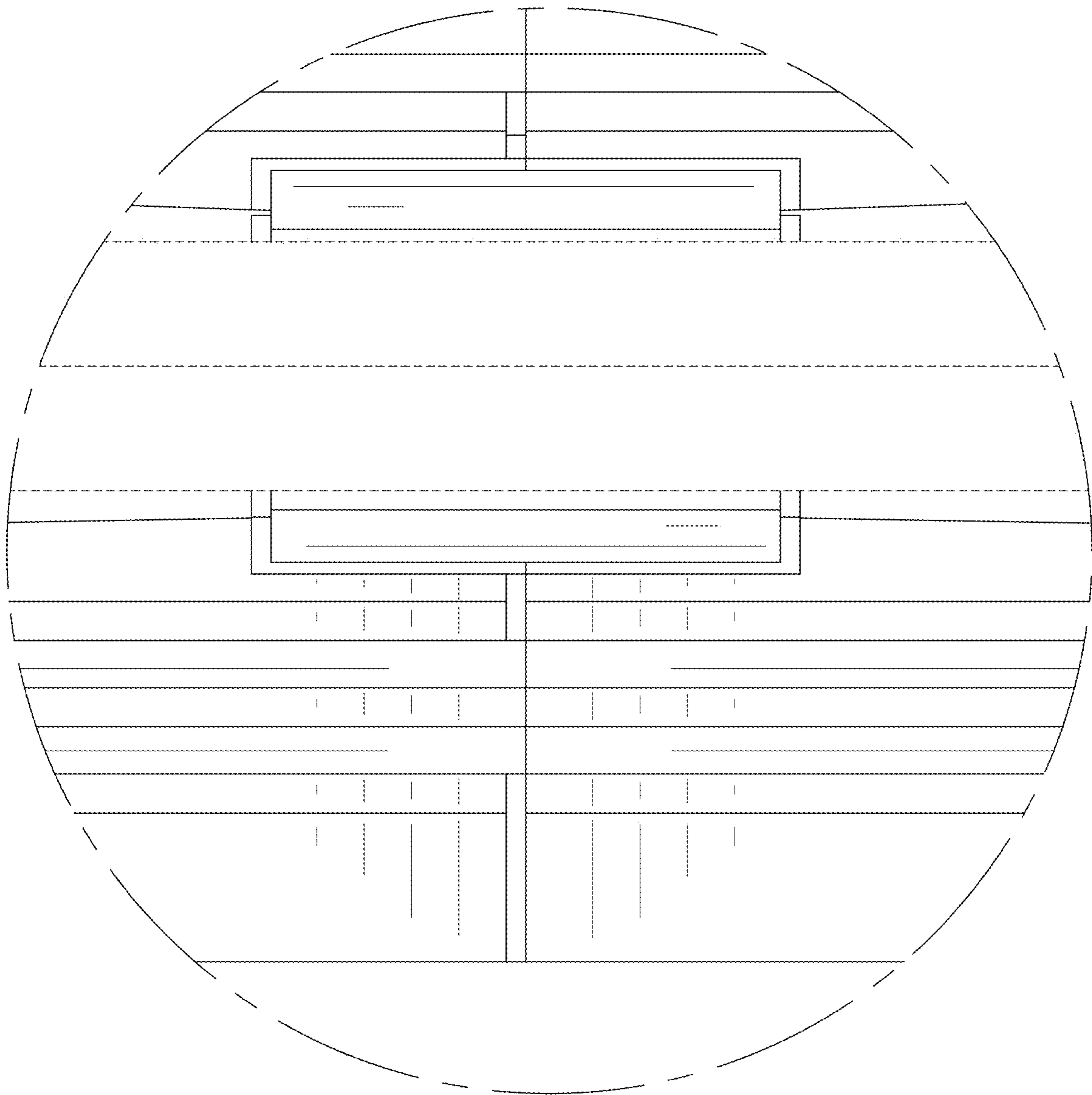


FIG. 15

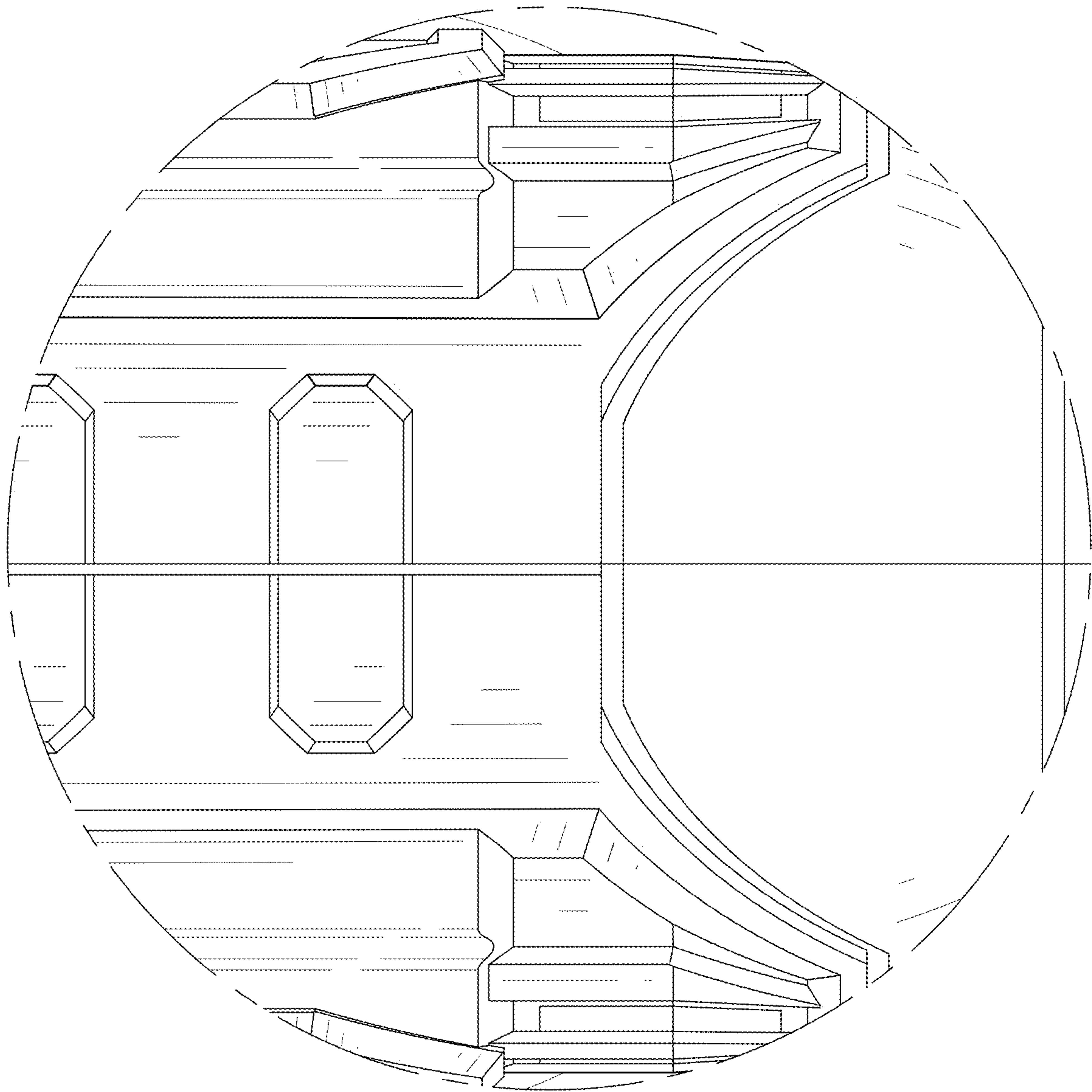


FIG. 16