



US00D882364S

(12) **United States Design Patent**  
**Lau**

(10) **Patent No.:** **US D882,364 S**

(45) **Date of Patent:** **\*\* Apr. 28, 2020**

(54) **CHAINSAW**

(71) Applicant: **TTI (MACAO COMMERCIAL OFFSHORE) LIMITED**, Macau (MO)

(72) Inventor: **Ka Chun Lau**, Kwai Chung (CN)

(73) Assignee: **TTI (MACAO COMMERCIAL OFFSHORE) LIMITED**, Macau (MO)

(\*\*) Term: **15 Years**

(21) Appl. No.: **29/580,300**

(22) Filed: **Oct. 7, 2016**

(30) **Foreign Application Priority Data**

Apr. 8, 2016 (CN) ..... 2016 3 0114781  
Sep. 2, 2016 (CN) ..... 2016 3 0462044

(51) **LOC (12) Cl.** ..... **08-03**

(52) **U.S. Cl.**  
USPC ..... **D8/65**

(58) **Field of Classification Search**  
USPC ..... D8/8, 20, 64, 65, 70; D15/138, 133  
CPC .... A01G 3/053; A01G 3/0535; B27B 17/025;  
B27B 17/00; B27B 17/02; B27B 17/04;  
B27B 17/0008; Y10T 83/8878  
See application file for complete search history.

(56) **References Cited**

**U.S. PATENT DOCUMENTS**

4,796,360 A \* 1/1989 Fischer ..... B27B 17/08  
30/384  
D386,958 S \* 12/1997 Karlsson ..... D8/65  
D445,657 S \* 7/2001 Jong ..... D8/65  
6,842,987 B1 \* 1/2005 Martinsson ..... B27B 17/083  
30/381  
D558,020 S \* 12/2007 Karlsson ..... D8/65  
D574,207 S \* 8/2008 Arnesson ..... D8/65  
D606,829 S \* 12/2009 Tinius ..... D8/65

D615,836 S \* 5/2010 Kosugi ..... D8/65  
D636,652 S \* 4/2011 Mehra ..... D8/65  
D644,496 S \* 9/2011 Sugishita ..... D8/70  
D647,773 S \* 11/2011 Sugishita ..... D8/65  
D658,959 S \* 5/2012 Landberg ..... D8/65  
D681,412 S \* 5/2013 Ortlund ..... D8/65  
D690,570 S \* 10/2013 Tinius ..... D8/65  
D711,700 S \* 8/2014 Mehra ..... D8/65  
D731,868 S \* 6/2015 Tinius ..... D8/65  
D737,646 S \* 9/2015 Tinius ..... D8/65  
D755,033 S \* 5/2016 Zhou ..... D8/65  
D763,051 S \* 8/2016 Tinius ..... D8/65  
D767,962 S \* 10/2016 Schoch ..... D8/65  
D790,303 S \* 6/2017 Tinius ..... D8/65  
D805,869 S \* 12/2017 Baxter ..... D8/65  
2004/0103857 A1 \* 6/2004 Kruse ..... B25F 5/00  
123/1 R  
2004/0111897 A1 \* 6/2004 Graves ..... B27B 17/025  
30/387

(Continued)

*Primary Examiner* — Lilyana Bekic

*Assistant Examiner* — Ieisha N Price

(74) *Attorney, Agent, or Firm* — Michael Best & Friedrich LLP

(57) **CLAIM**

I claim the ornamental design for a chainsaw, as shown and described.

**DESCRIPTION**

FIG. 1 is a top, front, left perspective view of a chainsaw showing the present invention.

FIG. 2 is a top, rear, left perspective view of the chainsaw of FIG. 1.

FIG. 3 is a left side view of the chainsaw of FIG. 1.

FIG. 4 is a right side view of the chainsaw of FIG. 1.

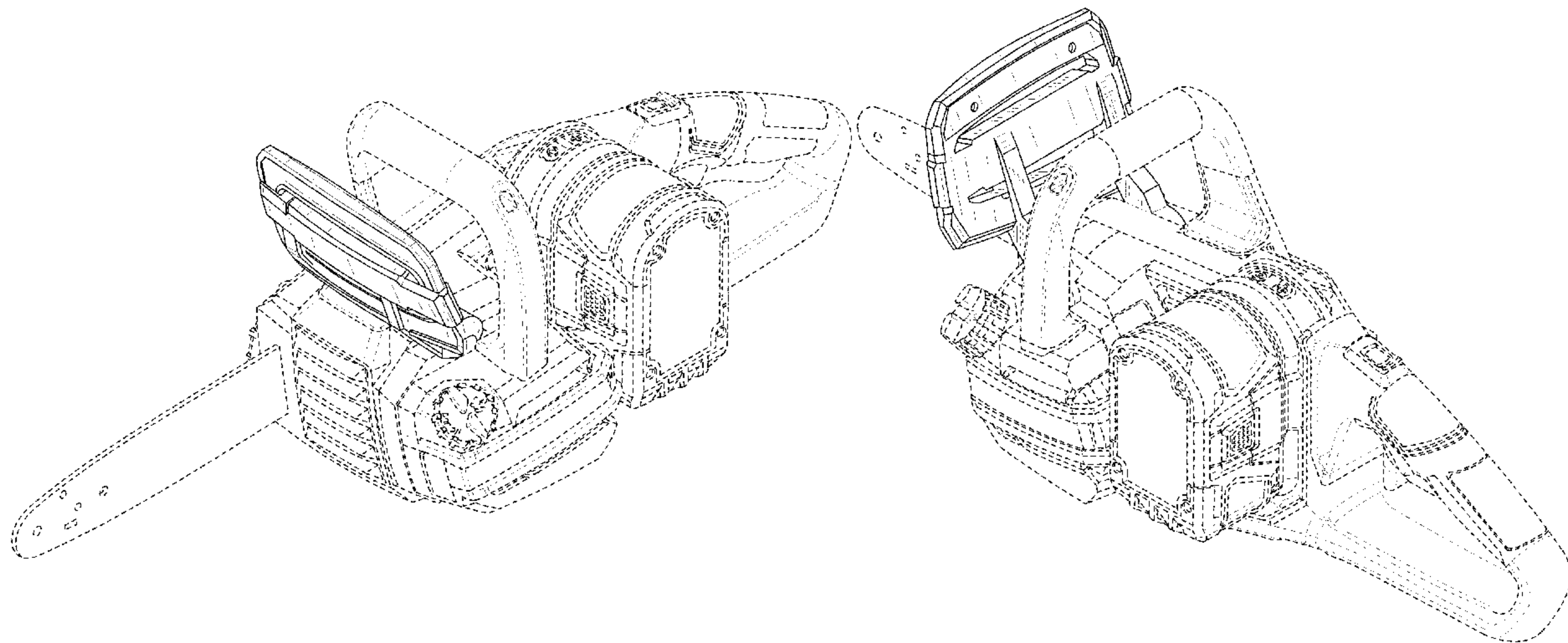
FIG. 5 is a front view of the chainsaw of FIG. 1.

FIG. 6 is a rear view of the chainsaw of FIG. 1.

FIG. 7 is a top view of the chainsaw of FIG. 1; and,

FIG. 8 is a bottom view of the chainsaw of FIG. 1.

**1 Claim, 8 Drawing Sheets**



(56)

**References Cited**

U.S. PATENT DOCUMENTS

2005/0055832 A1\* 3/2005 Jaensch ..... B25F 5/02  
30/123  
2006/0230900 A1\* 10/2006 Bergquisto ..... B27B 17/14  
83/381  
2007/0011888 A1\* 1/2007 Myers ..... B27B 17/083  
30/382  
2008/0092399 A1\* 4/2008 Myers ..... B27B 17/083  
30/381  
2008/0262706 A1\* 10/2008 Olsson ..... B23D 59/008  
701/112  
2011/0010952 A1\* 1/2011 Galster ..... B27B 17/02  
30/387  
2012/0204432 A1\* 8/2012 Martinsson ..... B25F 5/02  
30/517  
2014/0215838 A1\* 8/2014 Bergquist ..... B27B 17/0008  
30/383  
2014/0290074 A1\* 10/2014 Takayanagi ..... B23D 57/023  
30/382  
2014/0290075 A1\* 10/2014 Takayanagi ..... B27B 17/14  
30/386  
2015/0298344 A1\* 10/2015 Hallendorff ..... B27B 17/12  
30/123.4  
2016/0039110 A1\* 2/2016 Schiedt ..... F16D 41/12  
30/386  
2016/0257026 A1\* 9/2016 Lux ..... B27B 17/02  
2017/0259359 A1\* 9/2017 Kachi ..... B27B 17/0033  
2017/0297216 A1\* 10/2017 Kachi ..... B27B 17/00  
2018/0186027 A1\* 7/2018 McRoberts ..... B27B 17/00  
2019/0262753 A1\* 8/2019 Miura ..... B01D 46/0005

\* cited by examiner

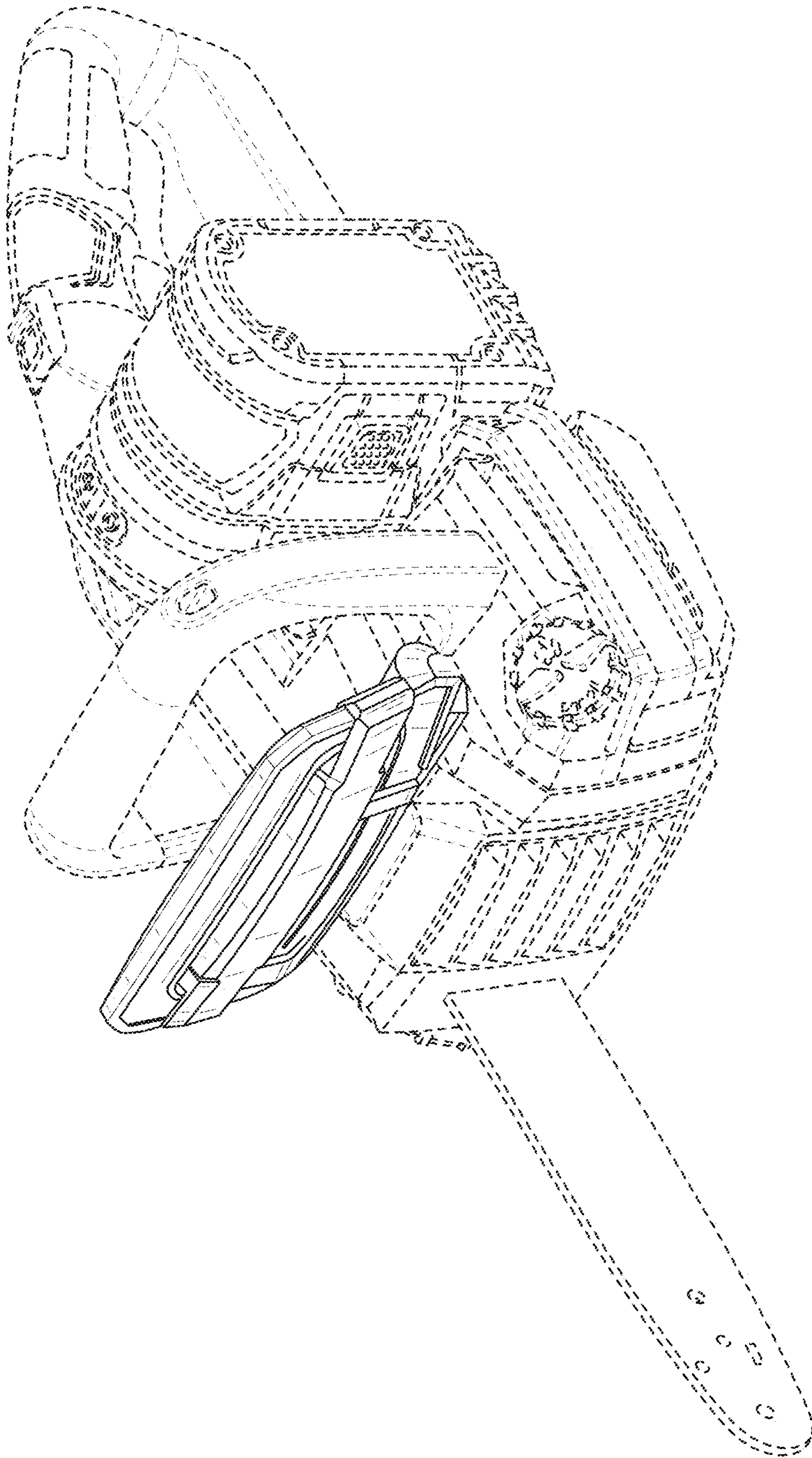


FIG. 1



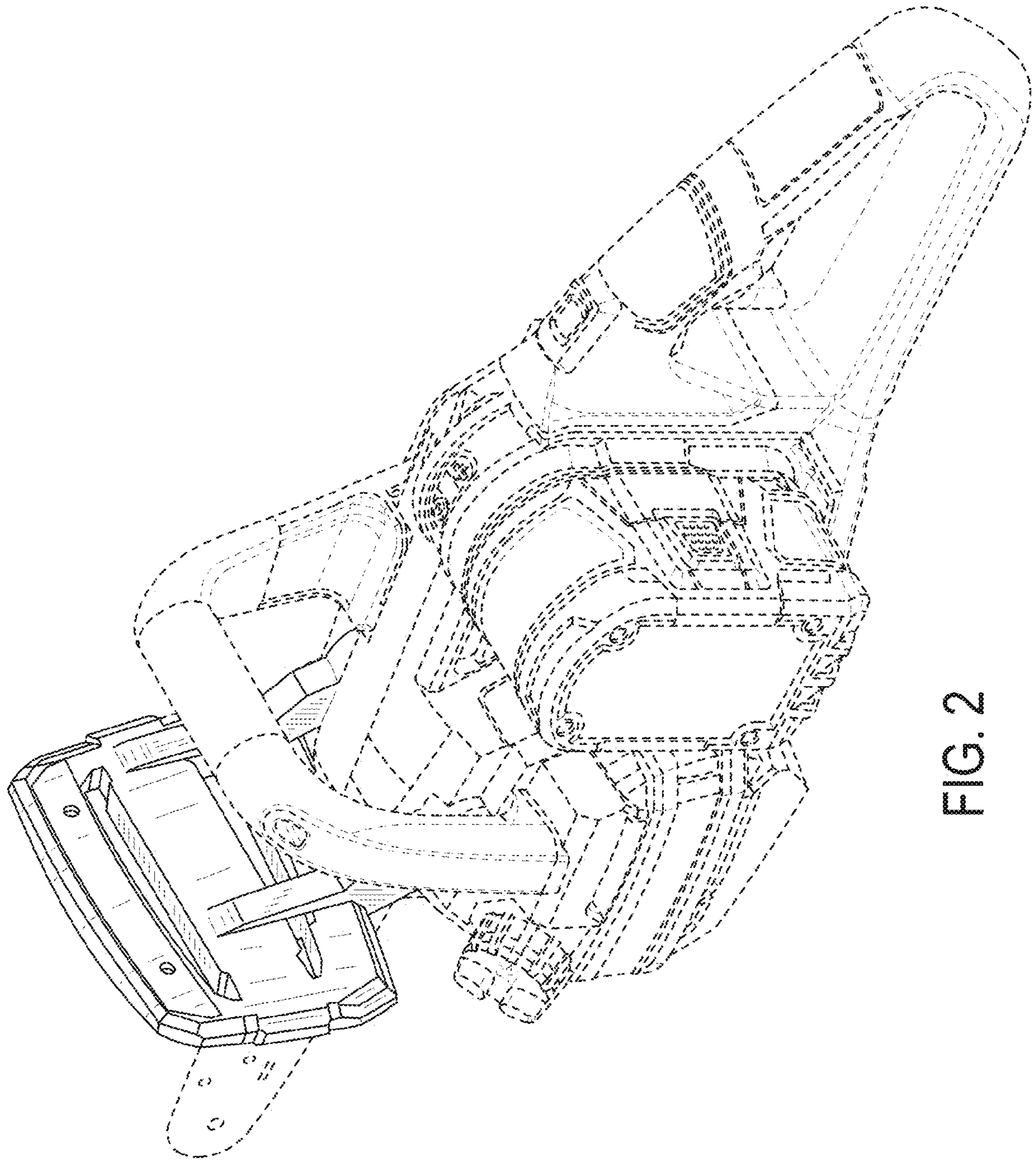


FIG. 2

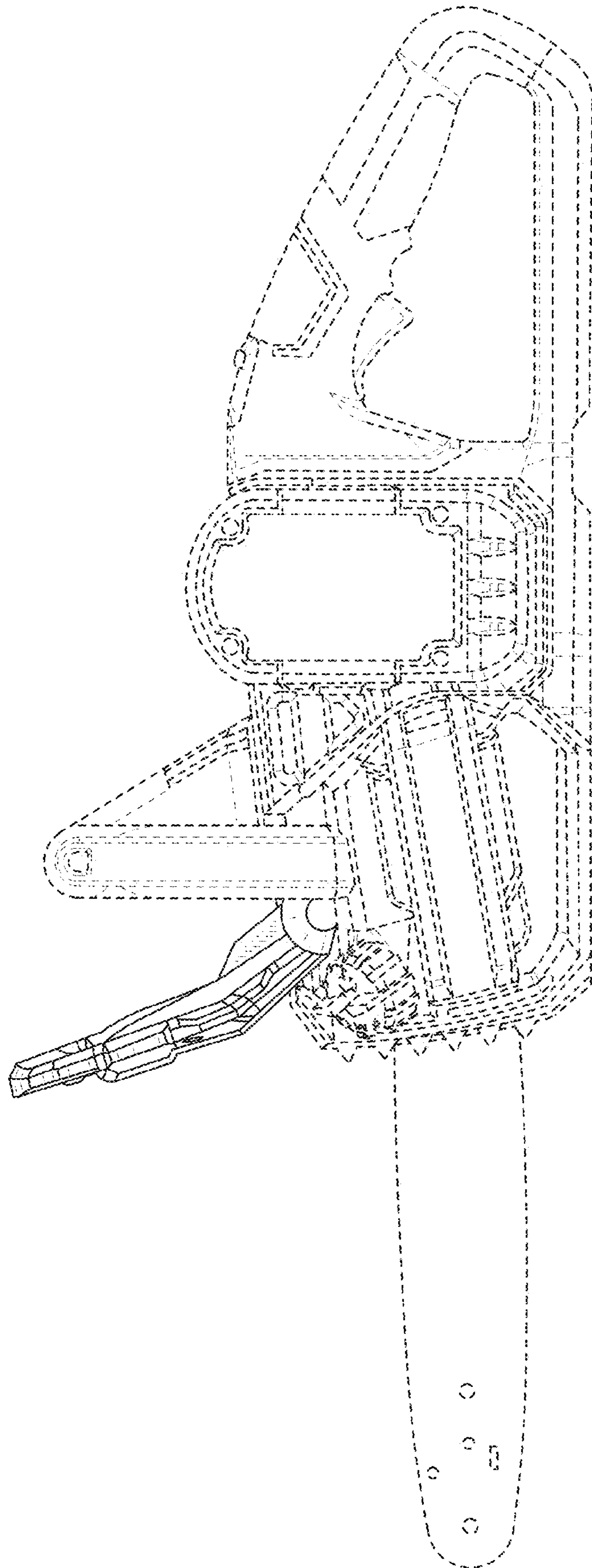


FIG. 3

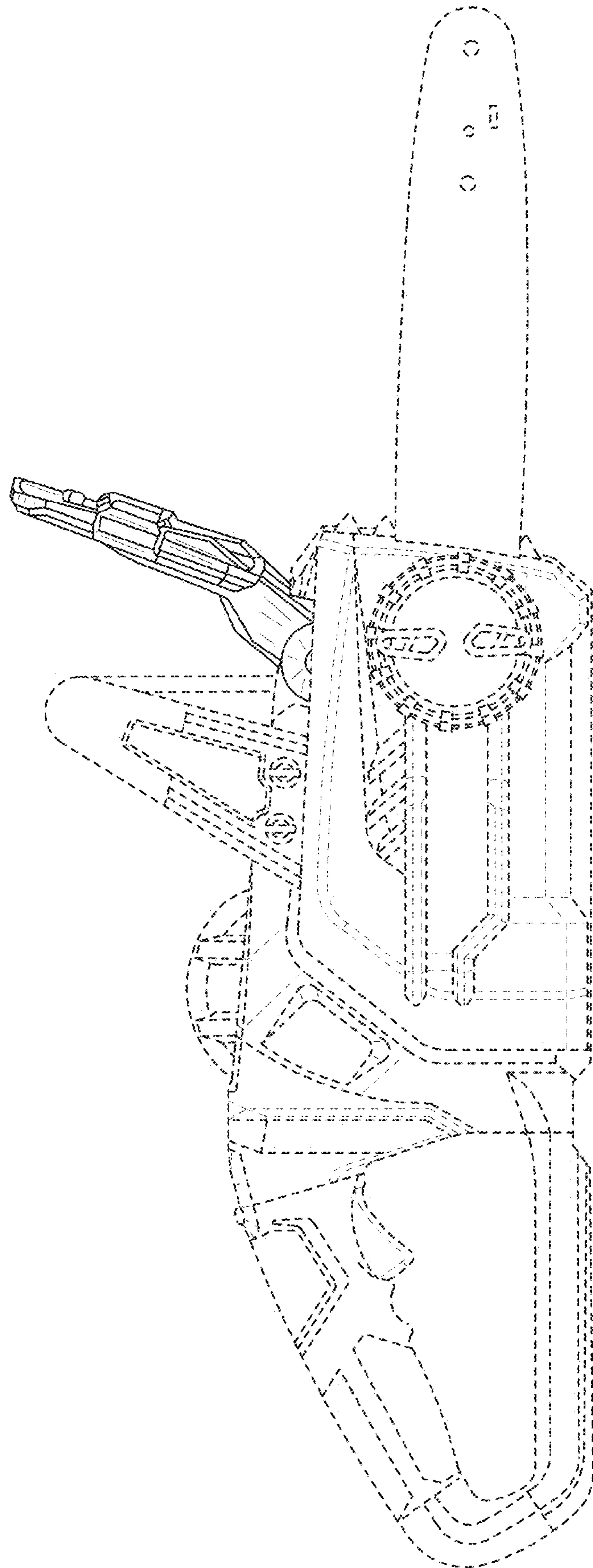


FIG. 4

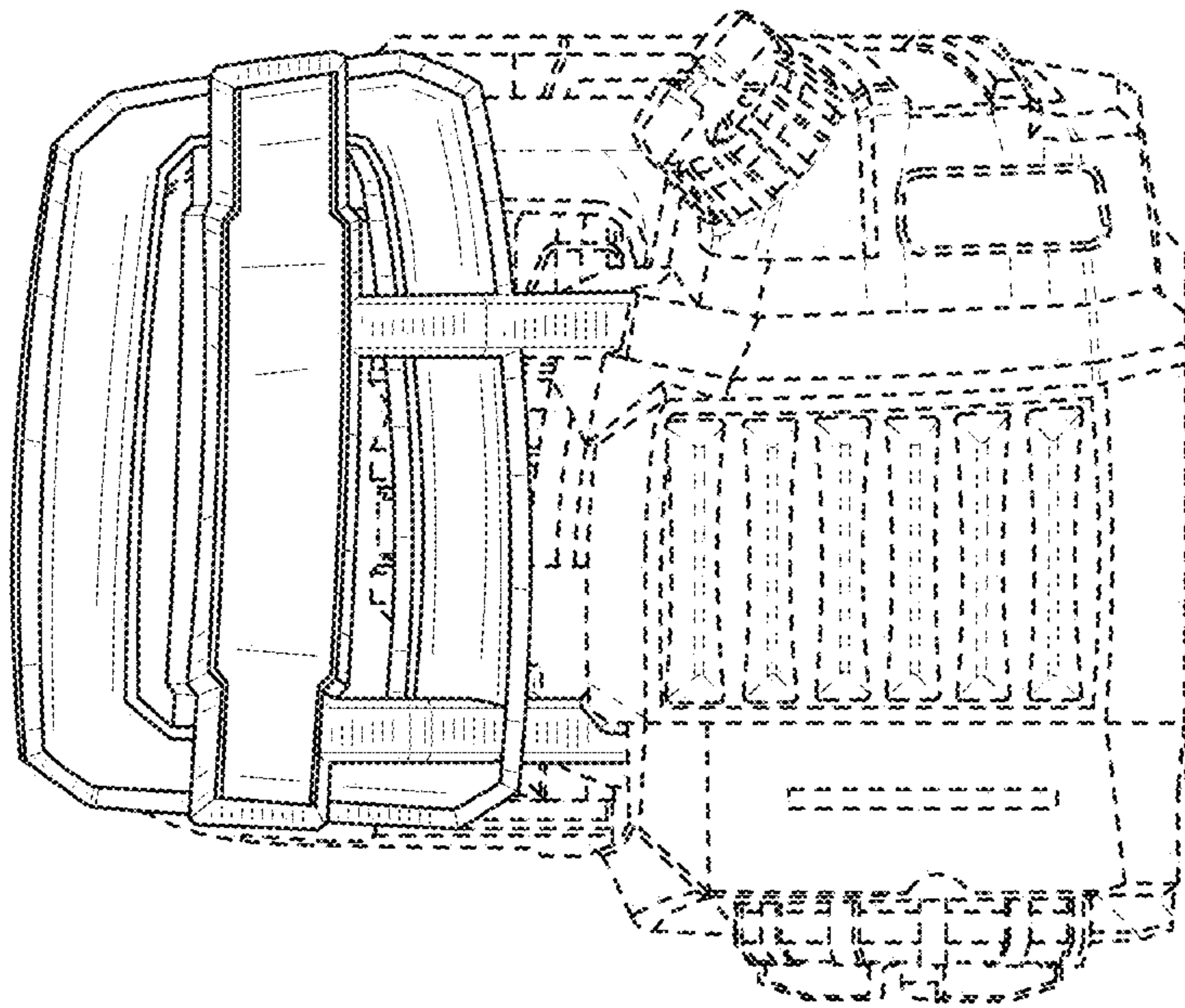


FIG. 5



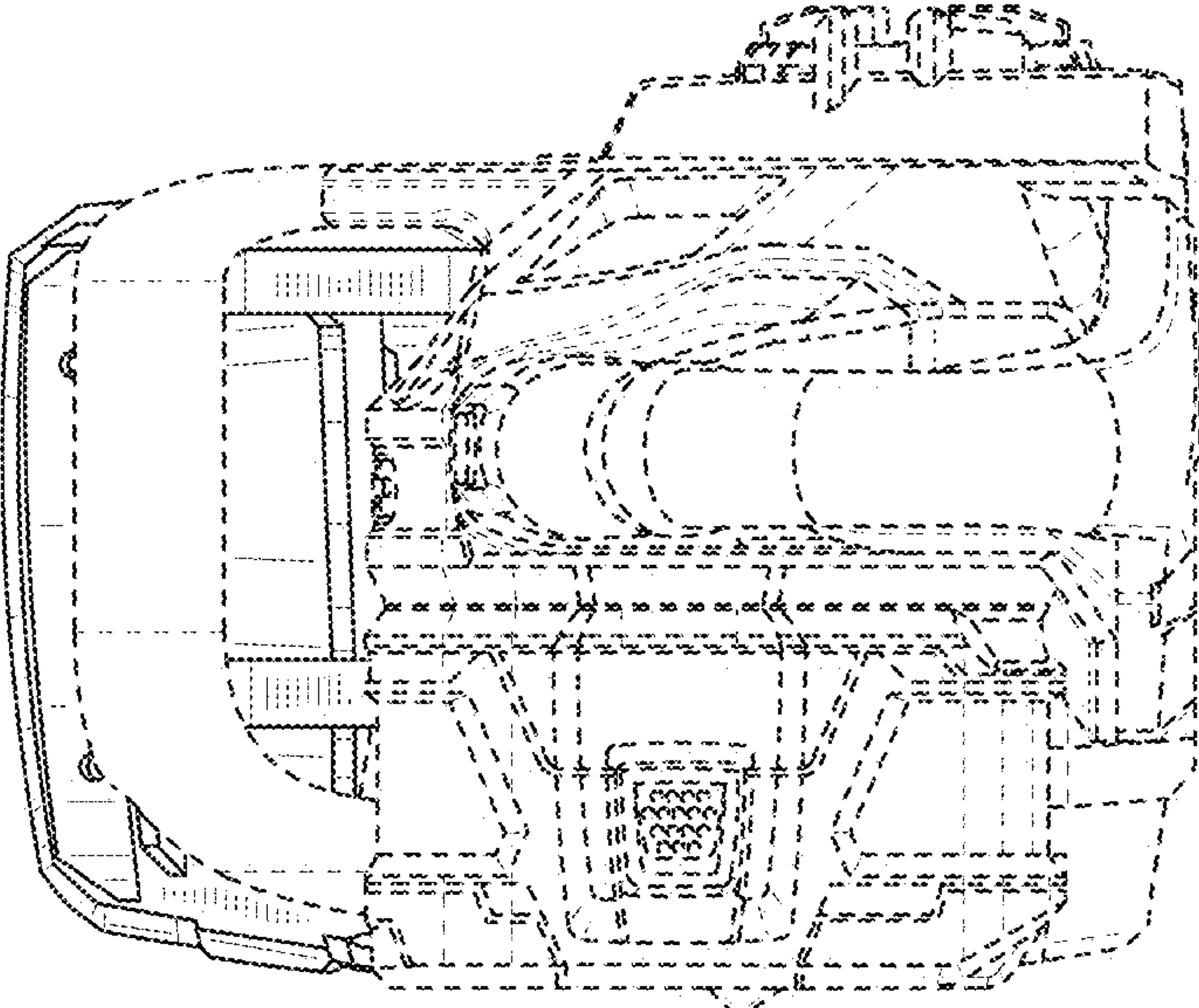


FIG. 6



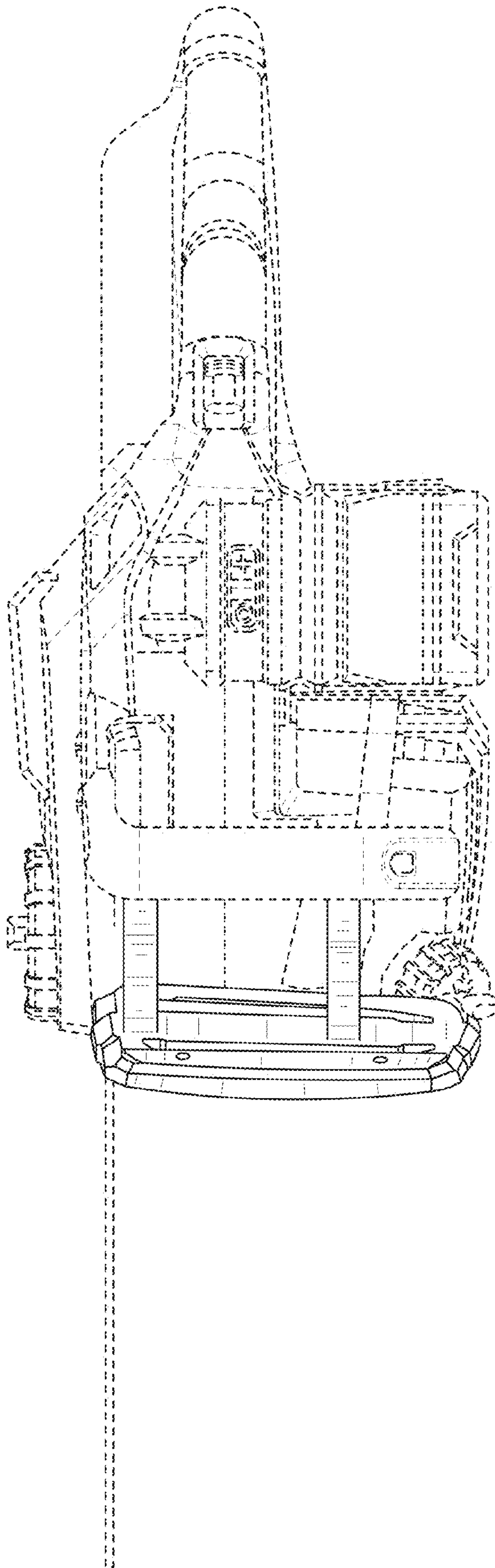


FIG. 7

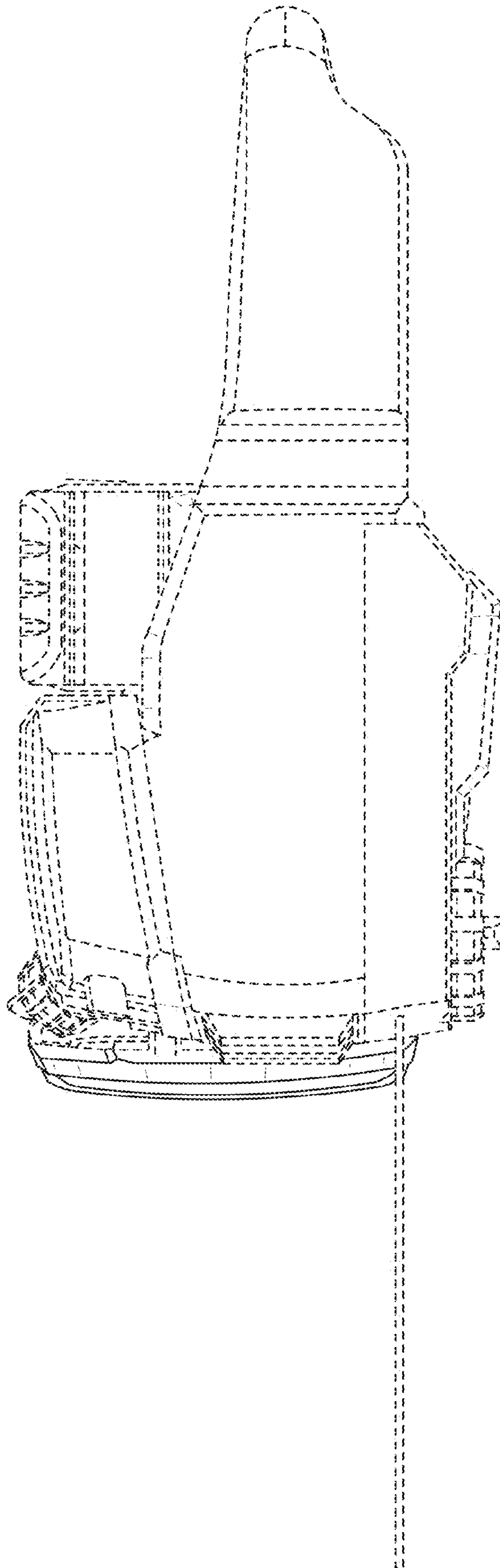


FIG. 8