



US00D882363S

(12) **United States Design Patent**
Lundbaeck

(10) **Patent No.:** **US D882,363 S**

(45) **Date of Patent:** **** Apr. 28, 2020**

(54) **JIGSAW**

(71) Applicant: **Robert Bosch GmbH**, Stuttgart (DE)

(72) Inventor: **Andreas Lundbaeck**, Stockholm (SE)

(73) Assignee: **Robert Bosch GmbH**, Stuttgart (DE)

(**) Term: **15 Years**

(21) Appl. No.: **29/671,590**

(22) Filed: **Nov. 28, 2018**

(30) **Foreign Application Priority Data**

May 29, 2018 (EM) 005286978

(51) **LOC (12) Cl.** **08-03**

(52) **U.S. Cl.**
USPC **D8/64**

(58) **Field of Classification Search**
USPC D8/69, 68, 67, 66, 64, 61; 83/747,
83/699.21; 310/50; 30/394, 393, 392,
30/391, 390, 377, 376; 173/216, 217
CPC B27B 19/09; B23D 49/162; B23D 49/165;
B23D 49/167; B25F 5/02
See application file for complete search history.

(56) **References Cited**

U.S. PATENT DOCUMENTS

D426,124 S * 6/2000 Kassalen D8/64
D454,476 S * 3/2002 Bruno D8/64

D517,386 S * 3/2006 Parafinczuk D8/64
D521,335 S * 5/2006 Parel D8/64
D525,097 S * 7/2006 Tsang D8/64
D525,844 S * 8/2006 Netzler D8/64
D599,183 S * 9/2009 Bradford D8/64
D664,412 S * 7/2012 Aglassinger D8/64
D863,015 S * 10/2019 Wachter D8/64

* cited by examiner

Primary Examiner — Austin Murphy

(74) *Attorney, Agent, or Firm* — Maginot, Moore & Beck LLP

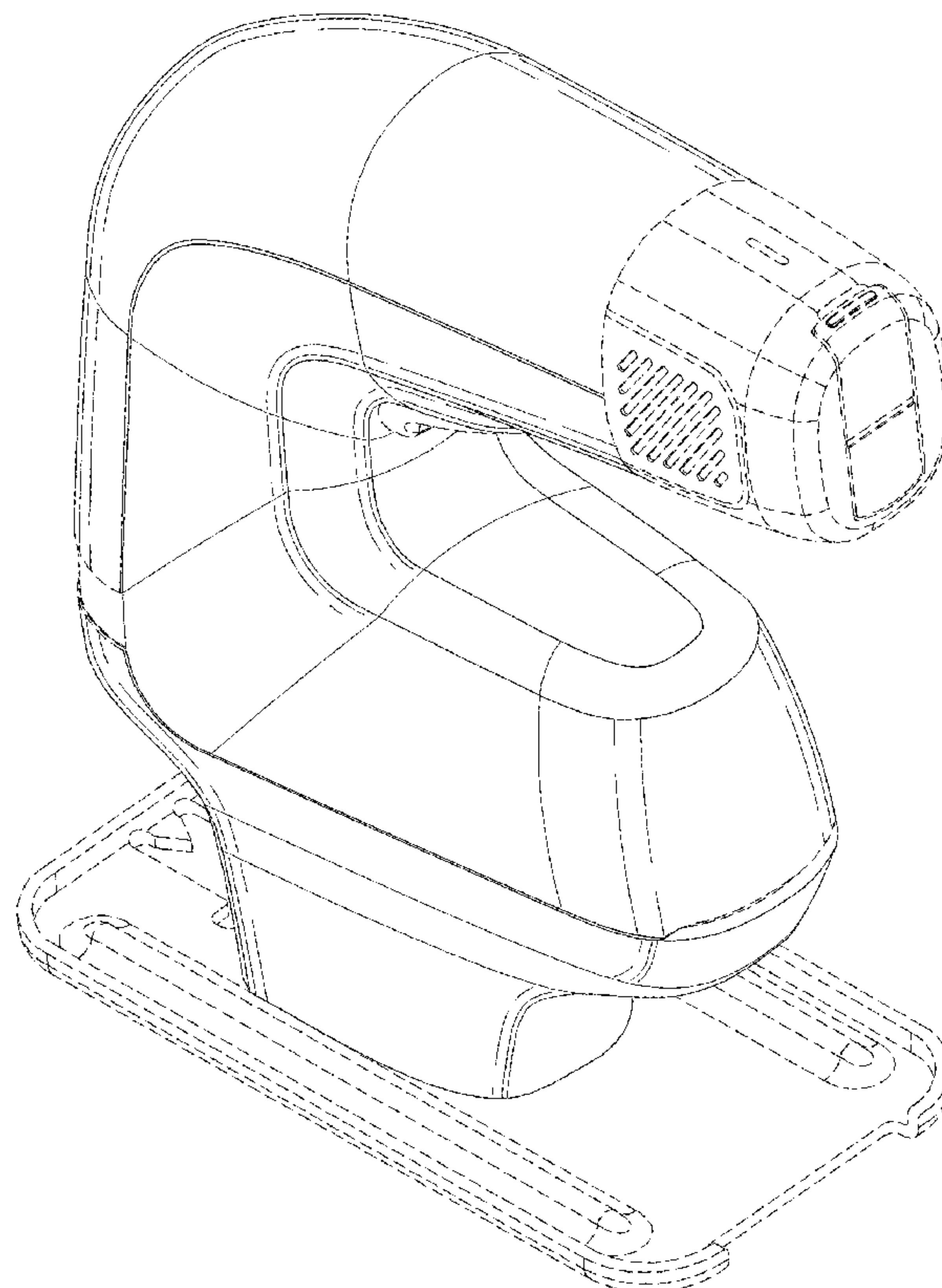
(57) **CLAIM**

The ornamental design for a jigsaw, as shown and described.

DESCRIPTION

FIG. 1 is a perspective view of a jigsaw showing my new design;
FIG. 2 is a right side elevational view of the jigsaw of FIG. 1;
FIG. 3 is a left side elevational view of the jigsaw of FIG. 1;
FIG. 4 is a front side elevational view of the jigsaw of FIG. 1;
FIG. 5 is a rear side elevational view of the jigsaw of FIG. 1;
FIG. 6 is a top plan view of the jigsaw of FIG. 1; and,
FIG. 7 is a bottom plan view of the jigsaw of FIG. 1.
The broken lines shown in the drawings illustrate portions of the jigsaw that form no part of the claimed design.

1 Claim, 7 Drawing Sheets



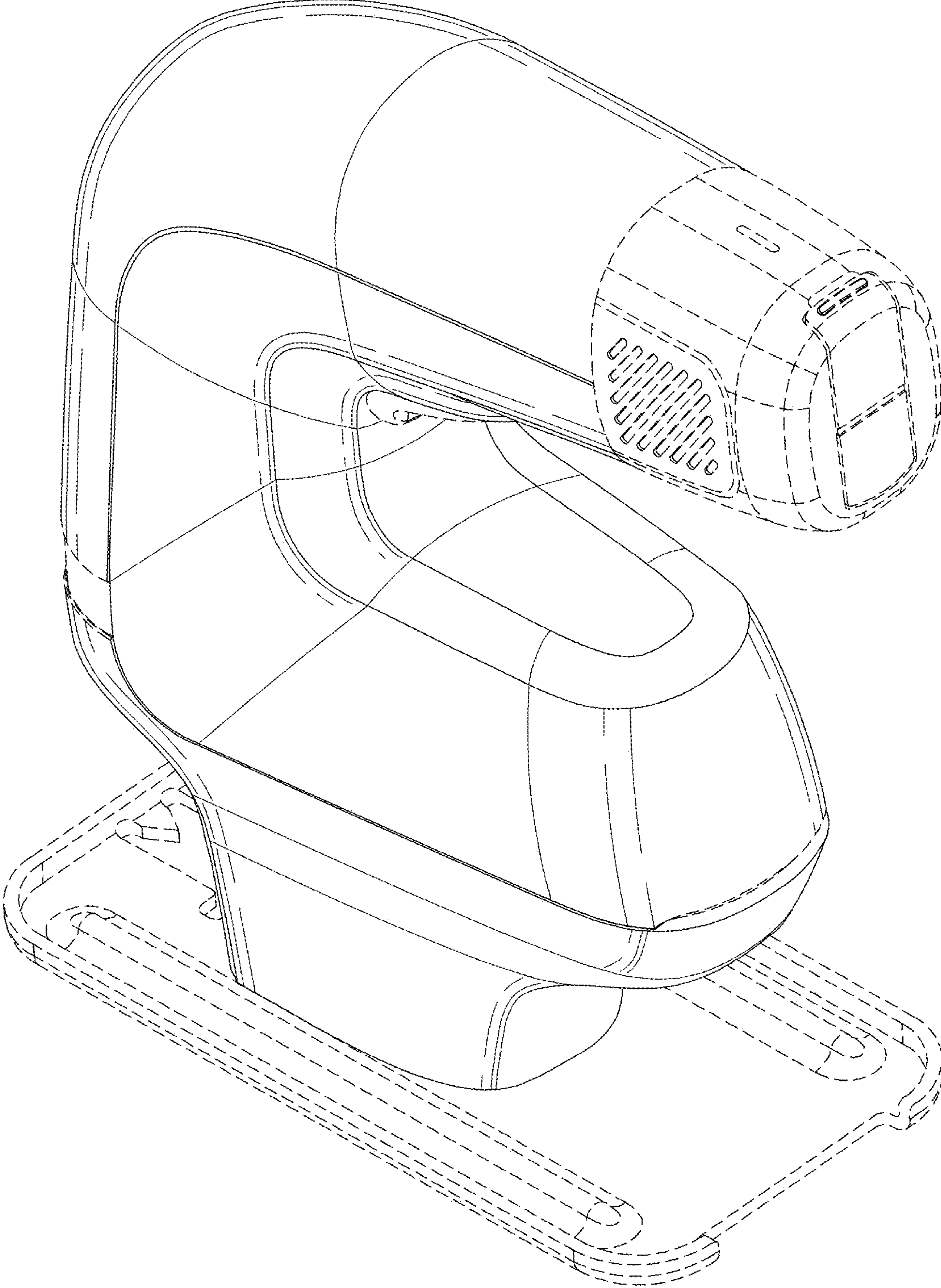


Fig. 1

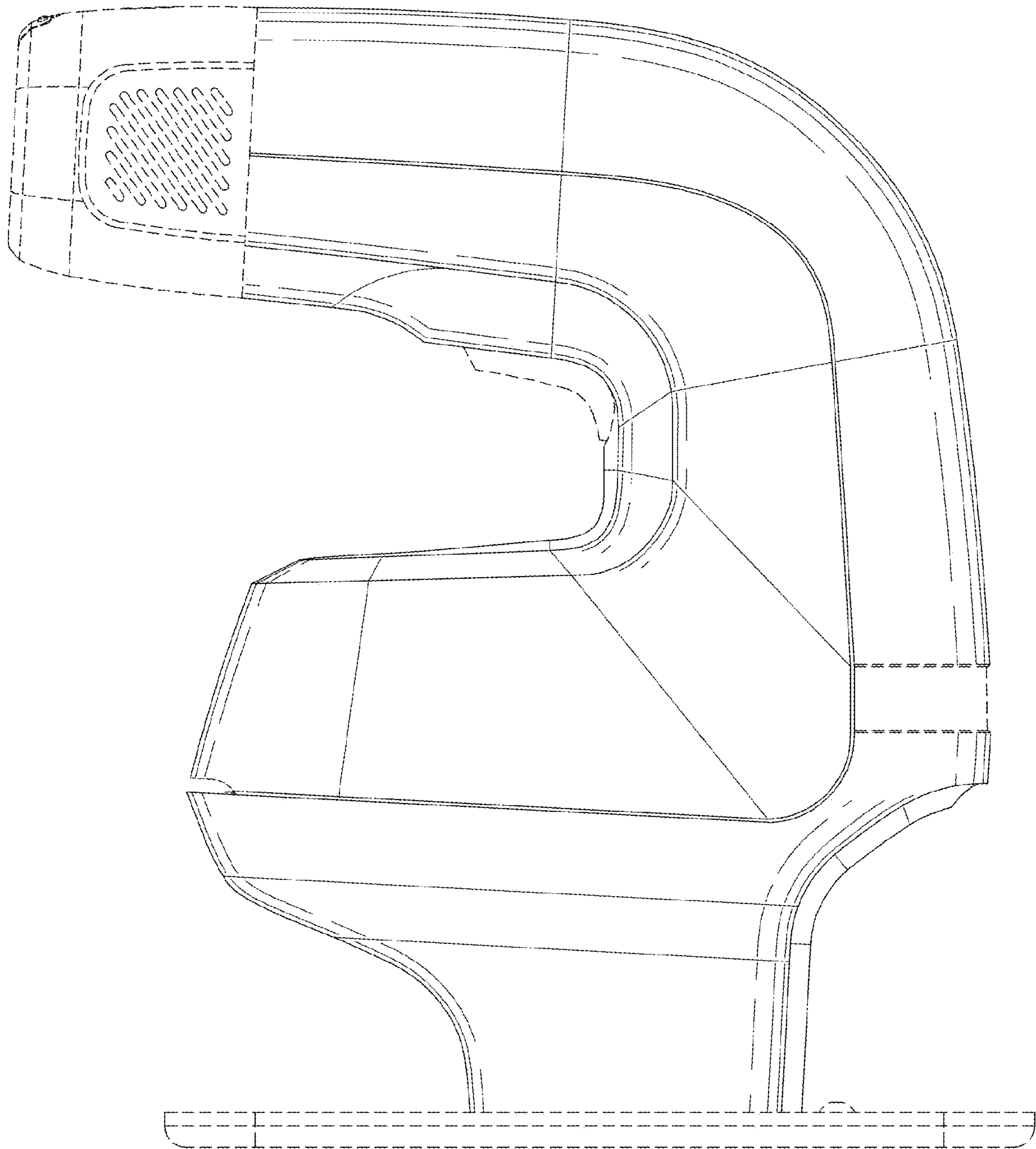


Fig. 2

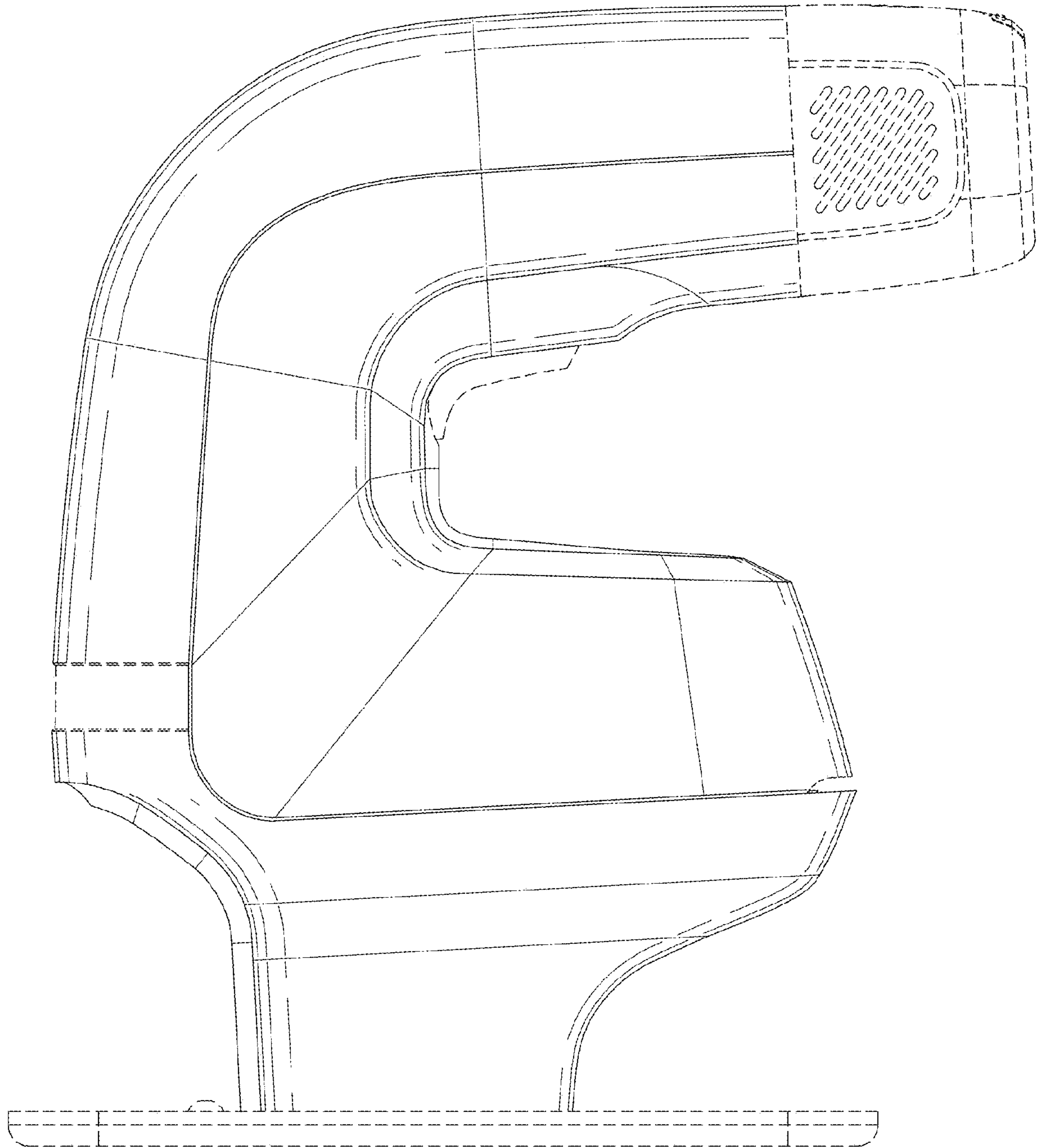


Fig. 3

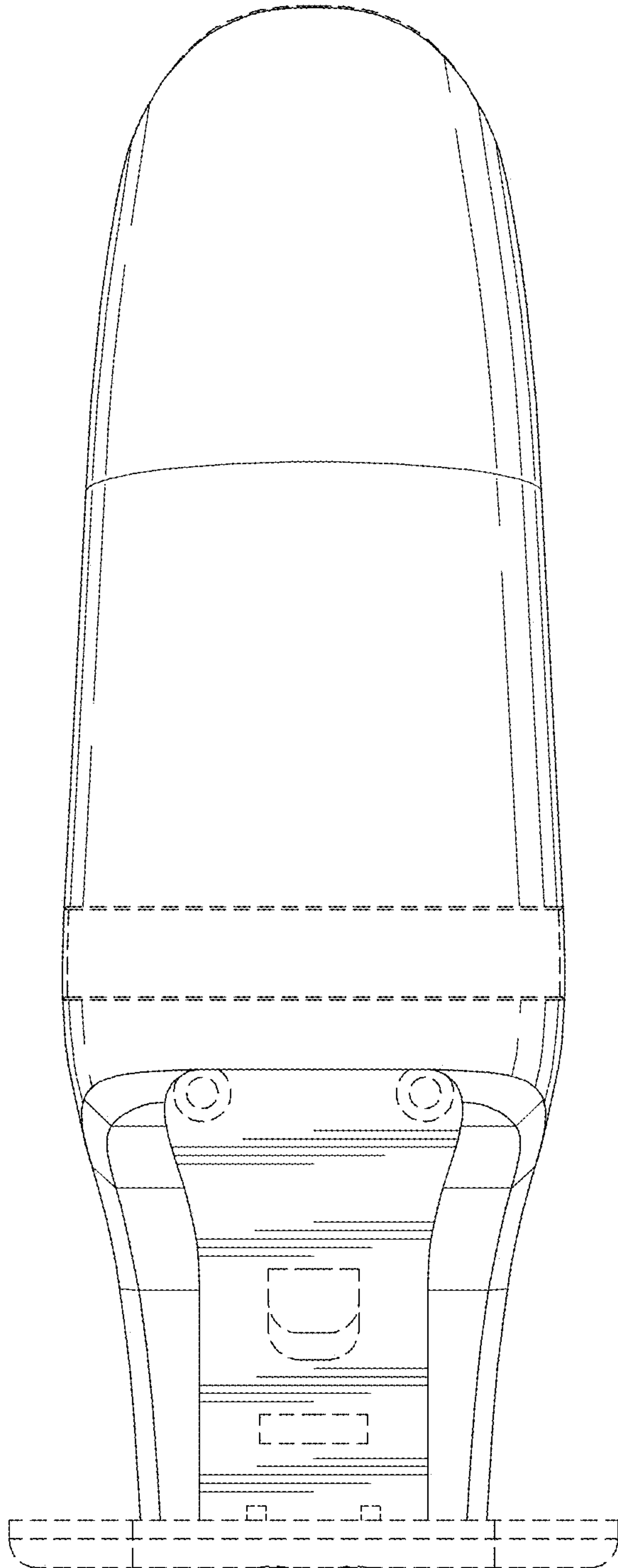


Fig. 4

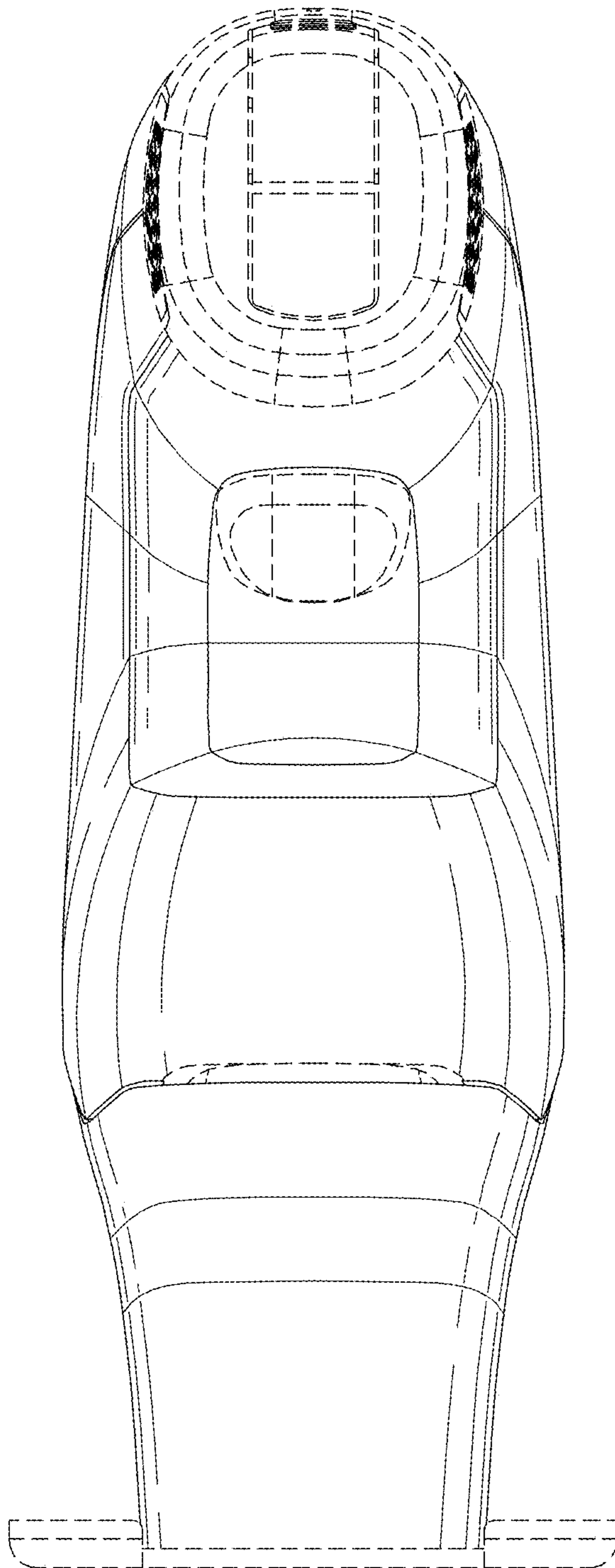


Fig. 5

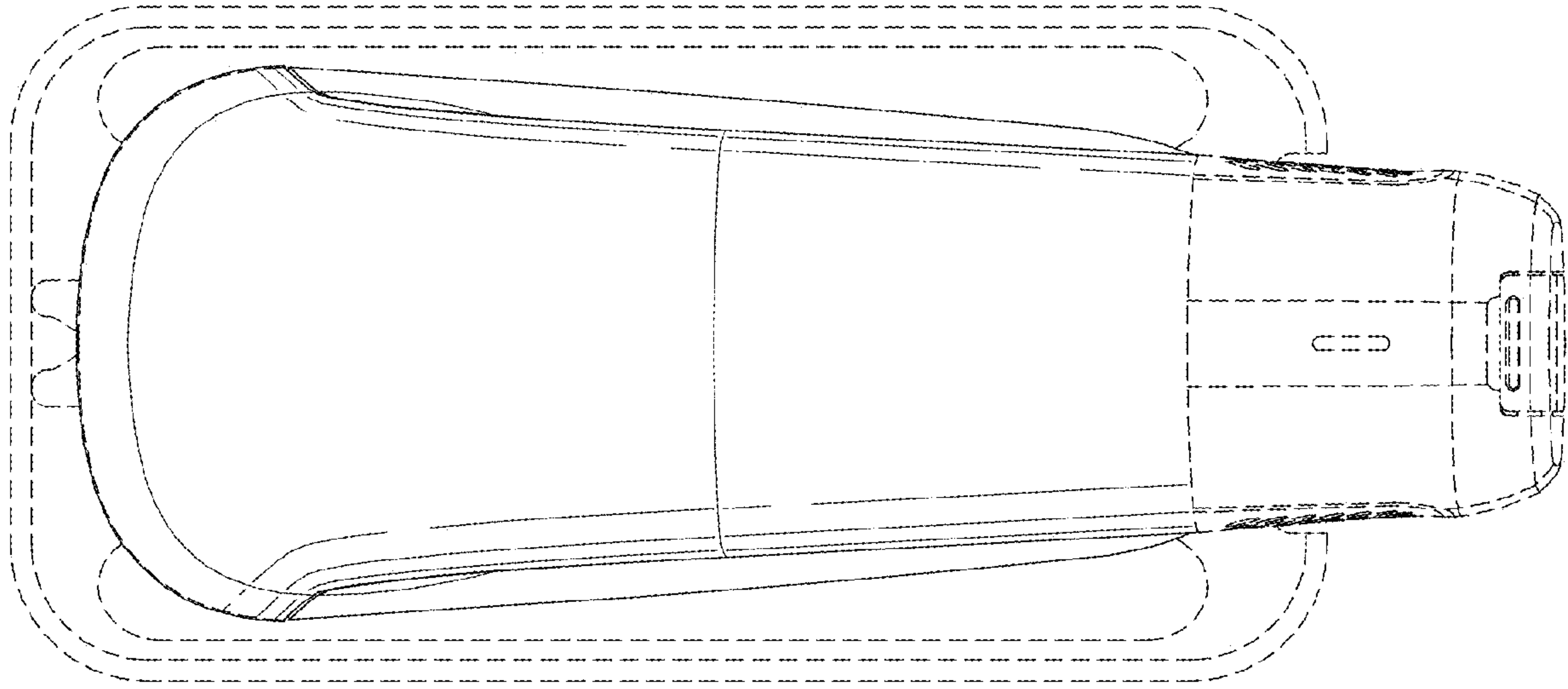


Fig. 6

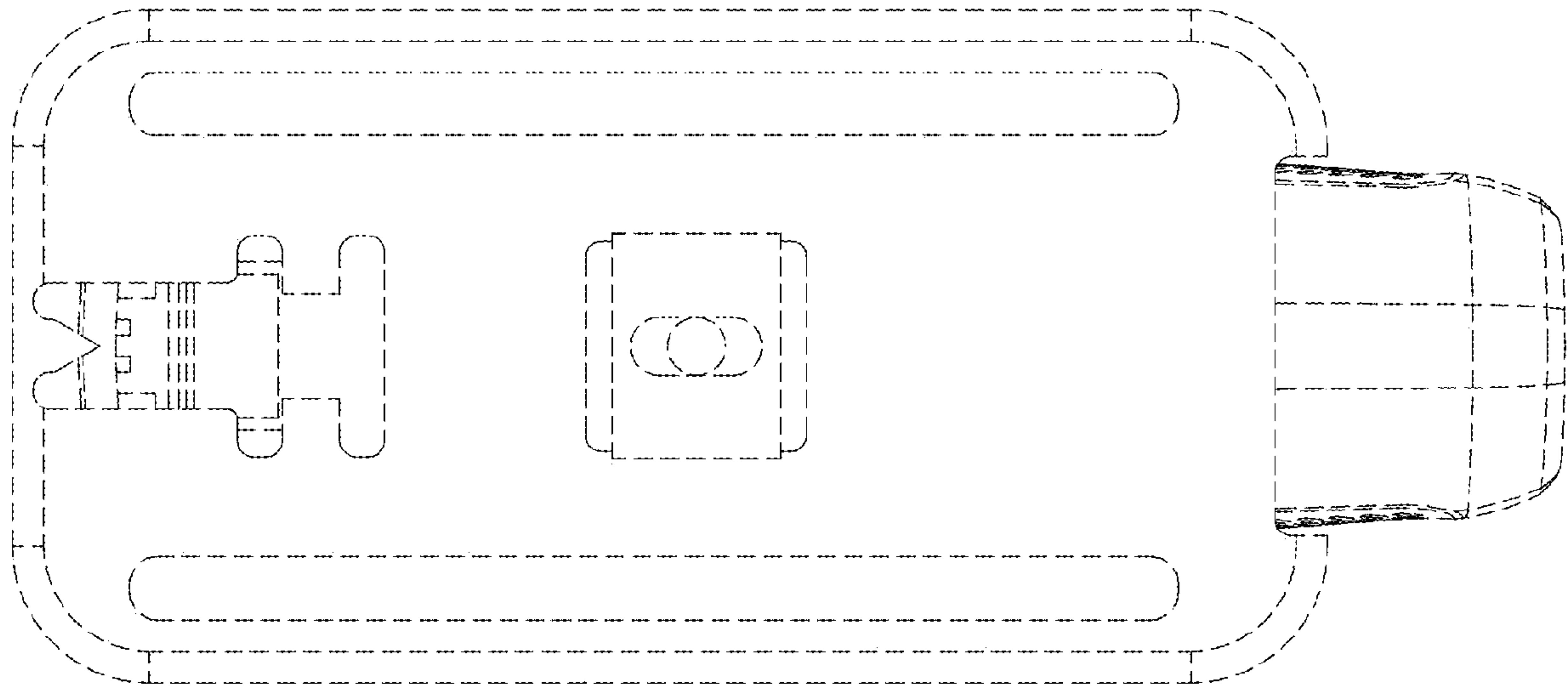


Fig. 7