



US00D882361S

(12) **United States Design Patent**
Calandrelì Cruz et al.

(10) **Patent No.:** **US D882,361 S**

(45) **Date of Patent:** **** Apr. 28, 2020**

(54) **WELDING TORCH**

(71) Applicant: **LINCOLN GLOBAL, INC.**, Santa Fe Springs, CA (US)

(72) Inventors: **Andres G. Calandrelì Cruz**, Coahuila (MX); **Joseph R. Brusky**, Willowick, OH (US); **Nicole V. Corbin**, Cleveland, OH (US); **Jeffrey L. Kachline**, Highland Heights, OH (US)

(73) Assignee: **LINCOLN GLOBAL, INC.**, Santa Fe Springs, CA (US)

(**) Term: **15 Years**

(21) Appl. No.: **29/668,564**

(22) Filed: **Oct. 31, 2018**

(51) **LOC (12) Cl.** **08-05**

(52) **U.S. Cl.**
USPC **D8/30; D15/144**

(58) **Field of Classification Search**
USPC D8/30, 107; D15/144, 144.1, 144.2
CPC B23K 9/00; B23K 9/1087; B23K 9/0953;
B23K 9/124; B23K 9/325; B23K 9/287;
B23K 9/32; B23K 9/295
See application file for complete search history.

(56) **References Cited**

U.S. PATENT DOCUMENTS

D343,629	S	*	1/1994	Bode	D15/144
6,025,574	A	*	2/2000	Colangelo, Jr.	B23K 9/295
						200/43.17
6,225,599	B1	*	5/2001	Altekruse	B23K 9/124
						219/137.31
6,979,799	B2	*	12/2005	Centner	B23K 9/10
						200/321
D532,432	S	*	11/2006	Owens	D15/144
D537,166	S	*	2/2007	Huang	D24/211

D555,446	S	*	11/2007	Picaza Ibarrodo	D15/144
D638,270	S	*	5/2011	Flattinger	D8/107
D735,002	S	*	7/2015	Bondy	D8/30
D771,727	S	*	11/2016	Imi	D15/144
D813,627	S	*	3/2018	Tsai	D8/30
2007/0164006	A1	*	7/2007	Burgstaller	B23K 9/0953
						219/130.01
2009/0152254	A1	*	6/2009	Giese	B23K 9/10
						219/137.31
2011/0062131	A1	*	3/2011	Binzel	B23K 9/1087
						219/136
2018/0178307	A1	*	6/2018	Whipple	B23K 9/291

* cited by examiner

Primary Examiner — Philip S Hyder

(74) *Attorney, Agent, or Firm* — Tucker Ellis LLP

(57) **CLAIM**

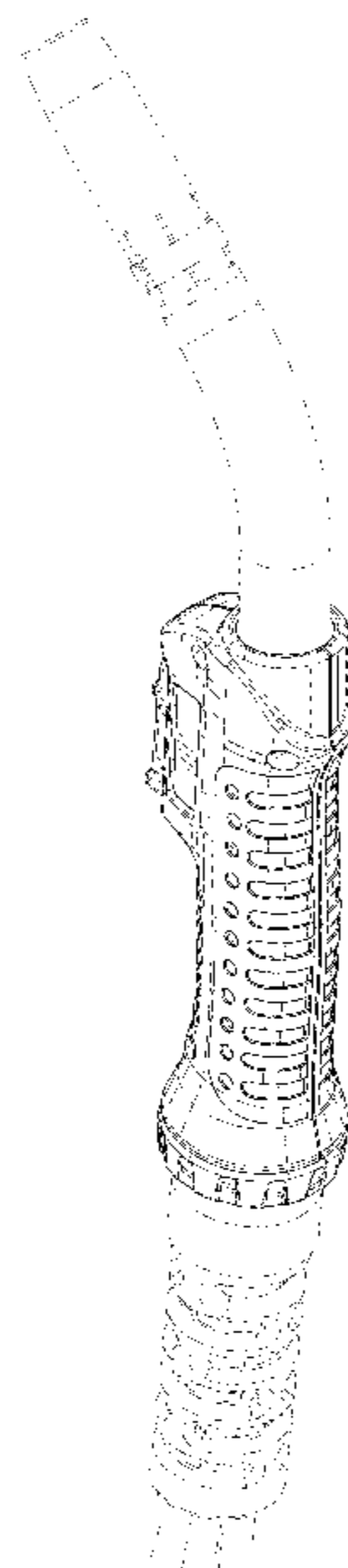
The ornamental design for a welding torch, as shown and described.

DESCRIPTION

FIG. 1 is a perspective view of an embodiment of a welding torch showing our new design;
FIG. 2 is a left view of the welding torch illustrated in FIG. 1;
FIG. 3 is a front view of the welding torch illustrated in FIG. 1;
FIG. 4 is a right side view of the welding torch illustrated in FIG. 1;
FIG. 5 is a rear view of the welding torch illustrated in FIG. 1;
FIG. 6 is a top view of the welding torch illustrated in FIG. 1; and,
FIG. 7 is a bottom view of the welding torch illustrated in FIG. 1.

The broken lines show portions of the design that form no part of the claimed design.

1 Claim, 4 Drawing Sheets



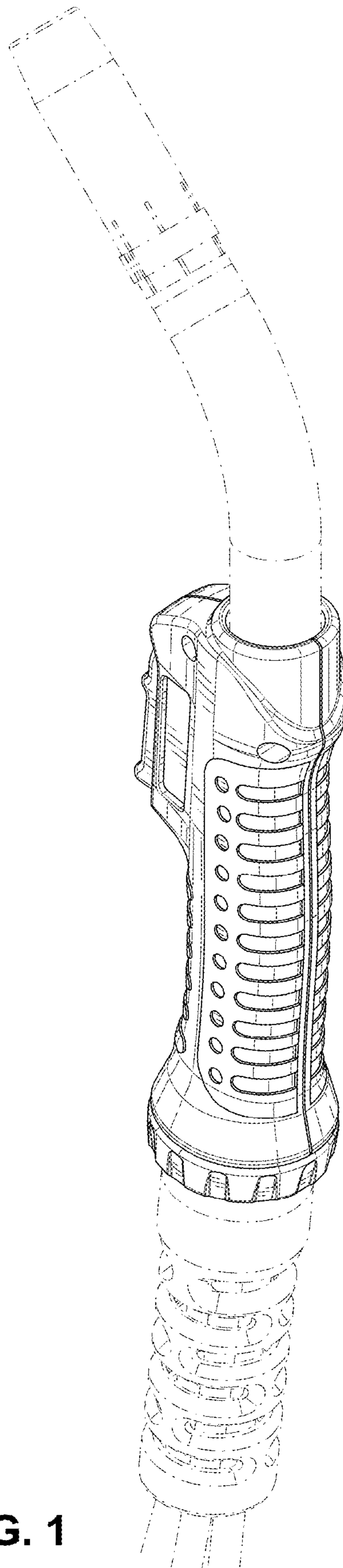


FIG. 1

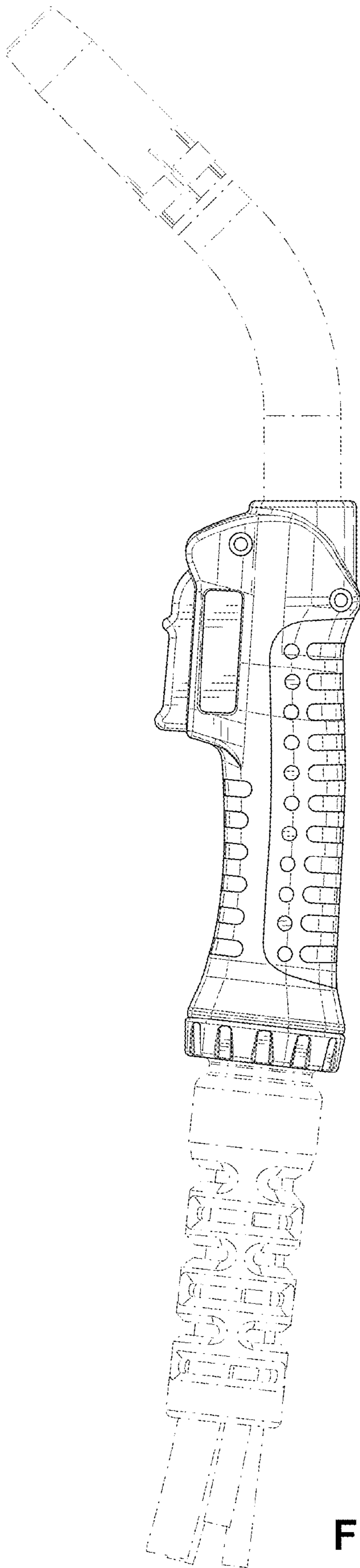


FIG. 2

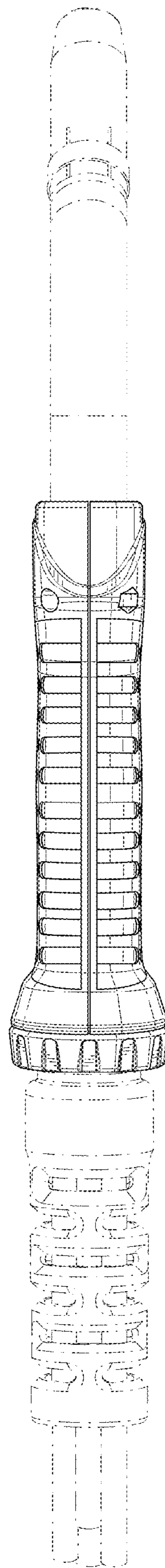


FIG. 3

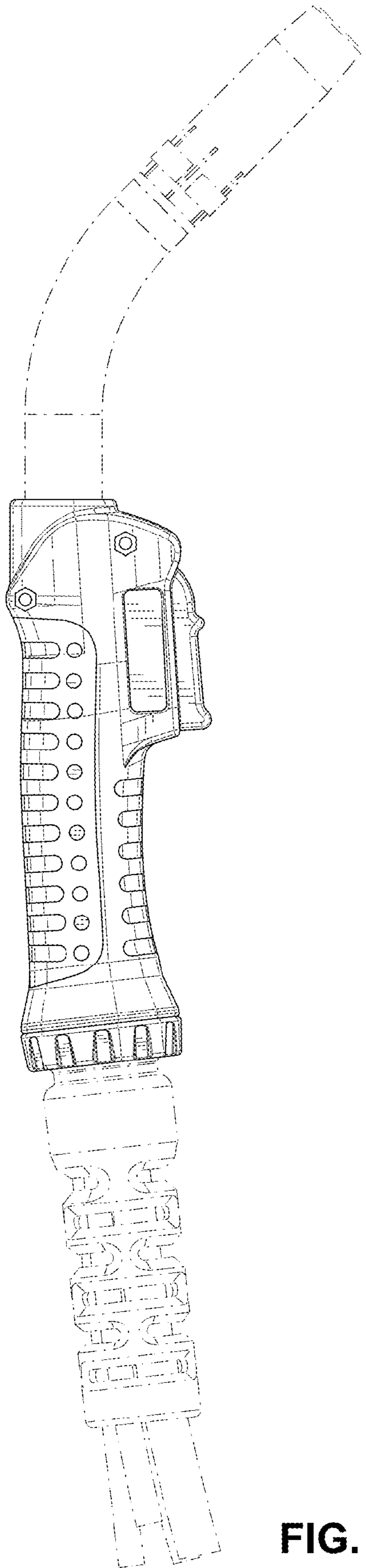


FIG. 4

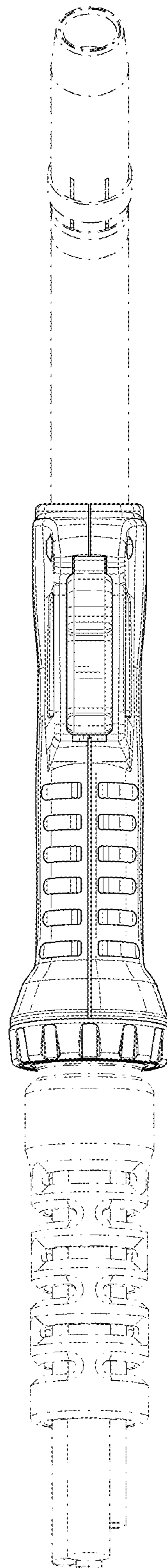


FIG. 5

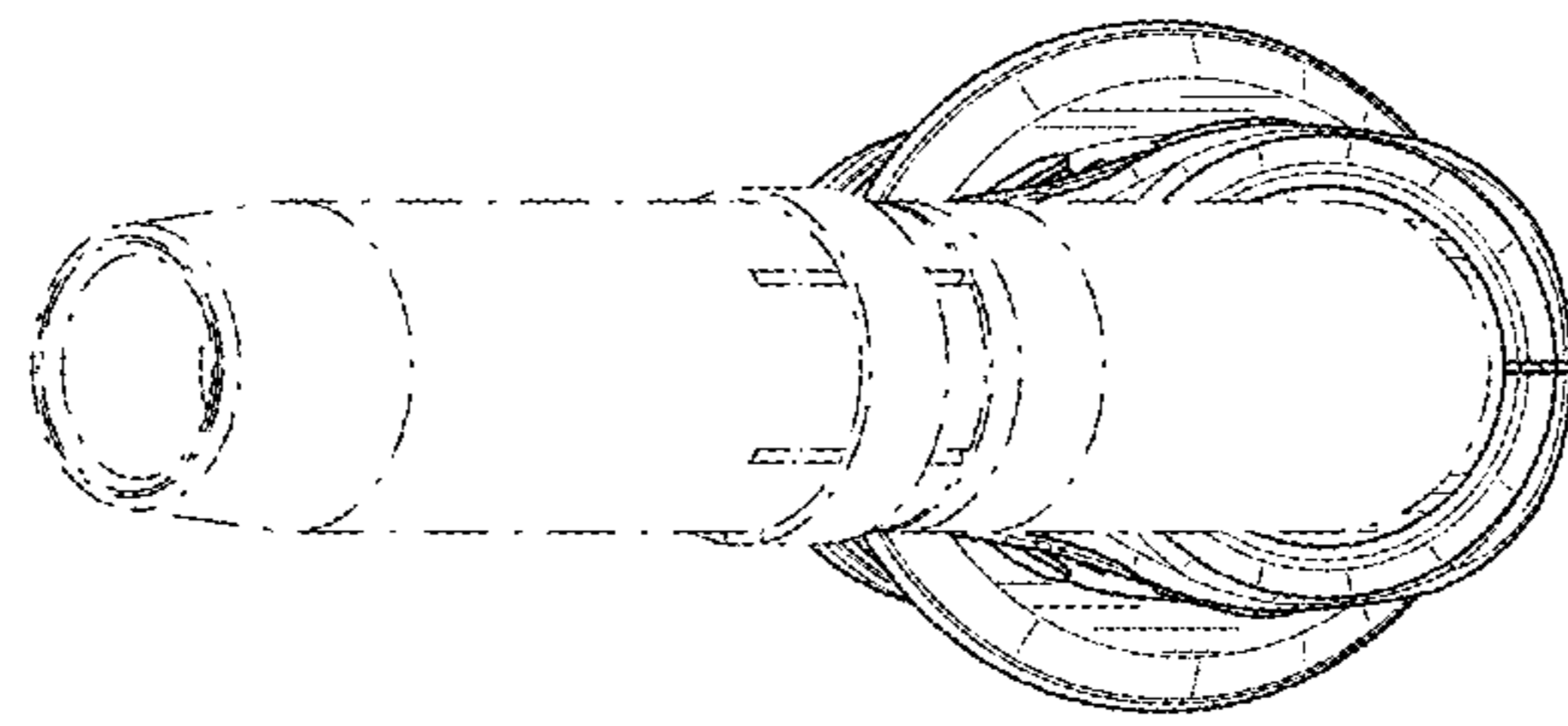


FIG. 6

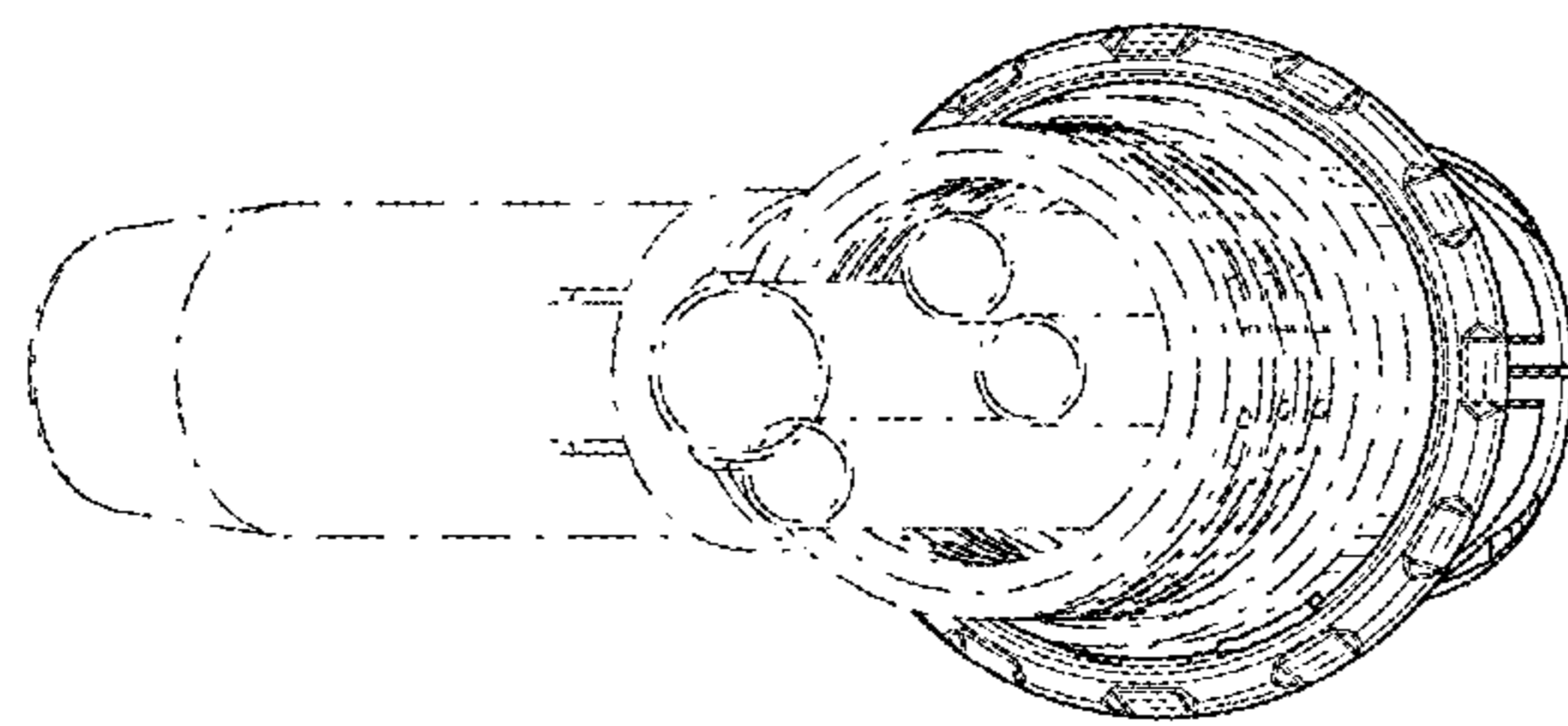


FIG. 7