



US00D882359S

(12) **United States Design Patent**
Xu

(10) **Patent No.:** **US D882,359 S**
(45) **Date of Patent:** **** Apr. 28, 2020**

(54) **LUNCH BOX**
(71) Applicant: **Jingsheng Xu**, Hunan (CN)
(72) Inventor: **Jingsheng Xu**, Hunan (CN)
(**) Term: **15 Years**
(21) Appl. No.: **29/642,244**
(22) Filed: **Mar. 28, 2018**

3,978,238 A * 8/1976 Frey A47J 27/004
426/523
D287,788 S * 1/1987 Shames D19/76
5,131,558 A * 7/1992 Hiromori A45C 13/1084
220/326
D367,557 S * 3/1996 Chang D3/276
D369,240 S * 4/1996 Newby, Sr. D3/263
D391,760 S * 3/1998 Zeller D3/276
D406,192 S * 3/1999 Schurman D3/282

(Continued)

(30) **Foreign Application Priority Data**

Dec. 22, 2017 (AU) 201717929

(51) **LOC (12) Cl.** **09-03**

(52) **U.S. Cl.**
USPC **D7/709**

(58) **Field of Classification Search**

USPC D7/391, 392.1, 629-630, 705, 607;
D6/675, 675.1, 675.3-675.4, 681,
D6/690-691; D9/432, 435, 751-752,
D9/759-760, 770, 525, 683, 695;
206/203, 518, 557, 170, 218, 591, 600,
206/541-542; D19/92, 101-105, 107;
D32/53.1, 55; D3/303-305, 232, 324,
D3/285, 289, 301, 902, 294-295;
D23/393; 220/4.22-4.23
CPC . A47J 47/02; A47J 47/06; A47J 47/10; A47G
23/04; A47G 23/0683; A47G 23/06;
B65D 1/00; B65D 45/12; B65D 45/16;
B65D 45/18; B65D 45/20; B65D 45/22;
B65D 45/30; B65D 11/10; B65D 53/02;
B65D 21/086; A45C 11/20

See application file for complete search history.

(56) **References Cited**

U.S. PATENT DOCUMENTS

3,746,837 A * 7/1973 Frey A47J 37/0611
219/387
3,814,900 A * 6/1974 Frey A47J 37/0611
219/385

FOREIGN PATENT DOCUMENTS

AU 2017101798 * 2/2018 A45C 11/20
CA 91016 * 11/2000

(Continued)

Primary Examiner — Marissa J Cash
Assistant Examiner — Altaira J Swangin
(74) *Attorney, Agent, or Firm* — Wayne & Ken, LLC;
Tony Hom

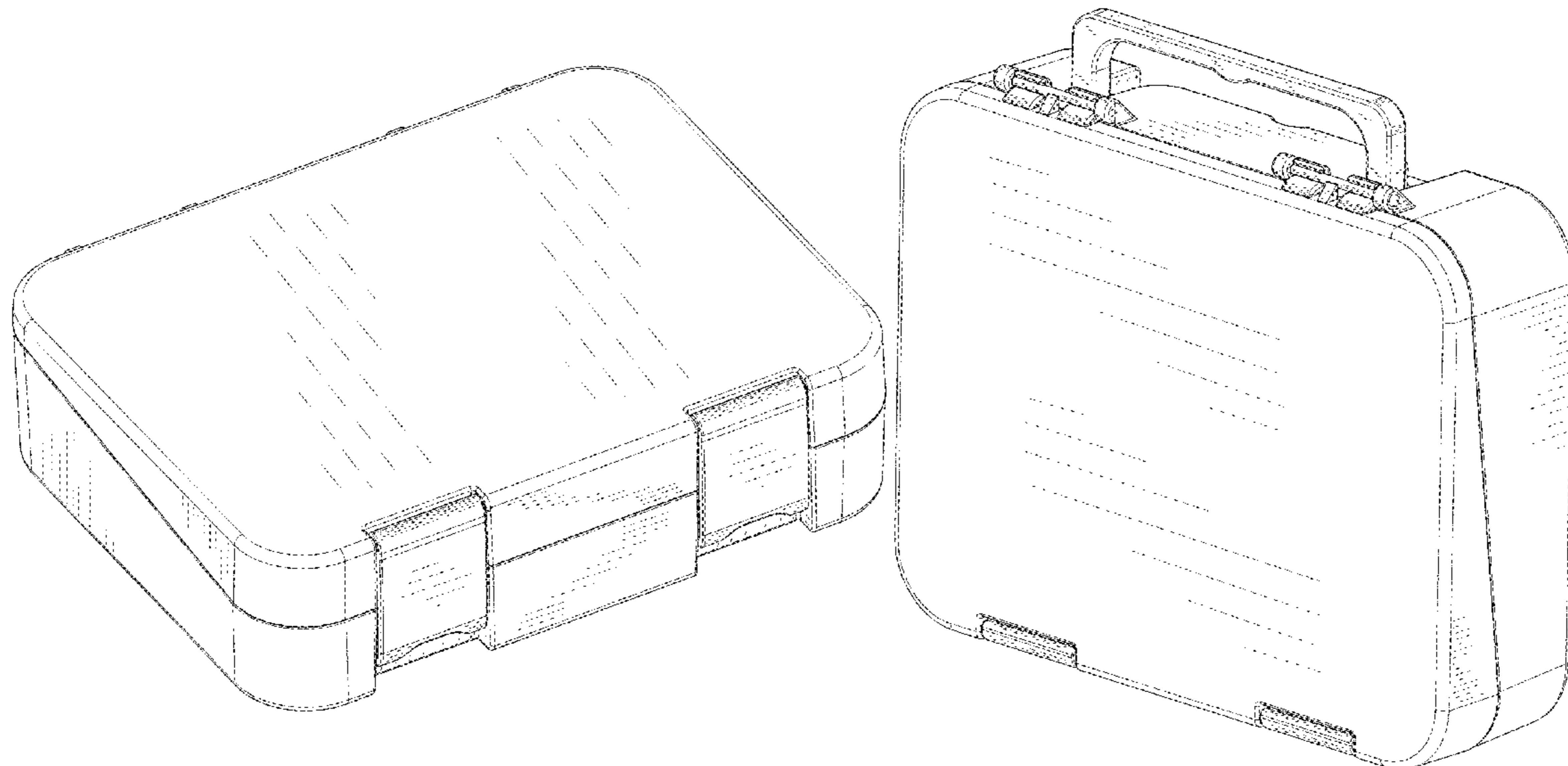
(57) **CLAIM**

The ornamental design for a lunch box, as shown and described.

DESCRIPTION

FIG. 1 is a top front left perspective view of a lunch box showing my new design;
FIG. 2 is a front view thereof;
FIG. 3 is a back view thereof;
FIG. 4 is a left view thereof;
FIG. 5 is a right view thereof;
FIG. 6 is a top view thereof;
FIG. 7 is a bottom view thereof; and,
FIG. 8 is a top back right perspective view of the lunch box of FIGS. 1-7 in an alternate configuration of use.
The broken lines in the drawing depict environmental subject matter only and form no part of the claimed design.

1 Claim, 8 Drawing Sheets



(56)

References Cited

U.S. PATENT DOCUMENTS

5,878,878 A * 3/1999 Wu G11B 33/045
 206/307
 D413,440 S * 9/1999 Schurman D3/276
 D417,338 S * 12/1999 Main D3/276
 D440,043 S * 4/2001 Miller D3/282
 D449,165 S * 10/2001 van der Hulst D3/294
 D470,658 S * 2/2003 Chunn D3/282
 D481,026 S * 10/2003 Chunn D14/168
 6,723,960 B2 * 4/2004 DiMartino A61F 13/041
 219/386
 D566,484 S * 4/2008 George D3/294
 D591,046 S * 4/2009 Lee D3/285
 D602,692 S * 10/2009 Wu 294/905
 7,777,157 B2 * 8/2010 Jenkins A45C 15/00
 219/227
 D633,294 S * 3/2011 Jamison D3/282
 8,517,196 B2 * 8/2013 Chang B42F 9/00
 206/451
 8,602,256 B2 * 12/2013 Wang B25H 3/02
 220/326
 D729,520 S * 5/2015 Koeniger D3/294
 D749,846 S * 2/2016 Koeniger D3/294
 D753,917 S * 4/2016 Koeniger D3/294

D757,435 S * 5/2016 Damberg B65D 25/28
 D3/284
 D773,184 S * 12/2016 Ko D3/274
 D773,901 S * 12/2016 Marret D7/629
 D845,392 S * 4/2019 Chang D19/88
 D869,471 S * 12/2019 Han D14/440
 D872,478 S * 1/2020 Seiders D3/294
 D873,019 S * 1/2020 Seibert D3/294
 2006/0169695 A1 * 8/2006 Roesler B25H 3/003
 220/324
 2007/0039969 A1 * 2/2007 Pittis-Moffitt A47J 41/02
 220/592.27
 2009/0078593 A1 * 3/2009 Patstone A45C 9/00
 206/216
 2011/0114526 A1 * 5/2011 Neumann A45C 11/20
 206/459.5
 2012/0152944 A1 * 6/2012 Vilkomirski B25H 3/022
 220/4.28
 2016/0278494 A1 * 9/2016 Churro Monteiro .. A45C 11/00
 2019/0231047 A1 * 8/2019 McLean G07C 9/25

FOREIGN PATENT DOCUMENTS

CN 304342613 * 11/2017
 CN 304702881 * 6/2018
 CN 305074366 * 3/2019
 CN 305128926 * 4/2019

* cited by examiner

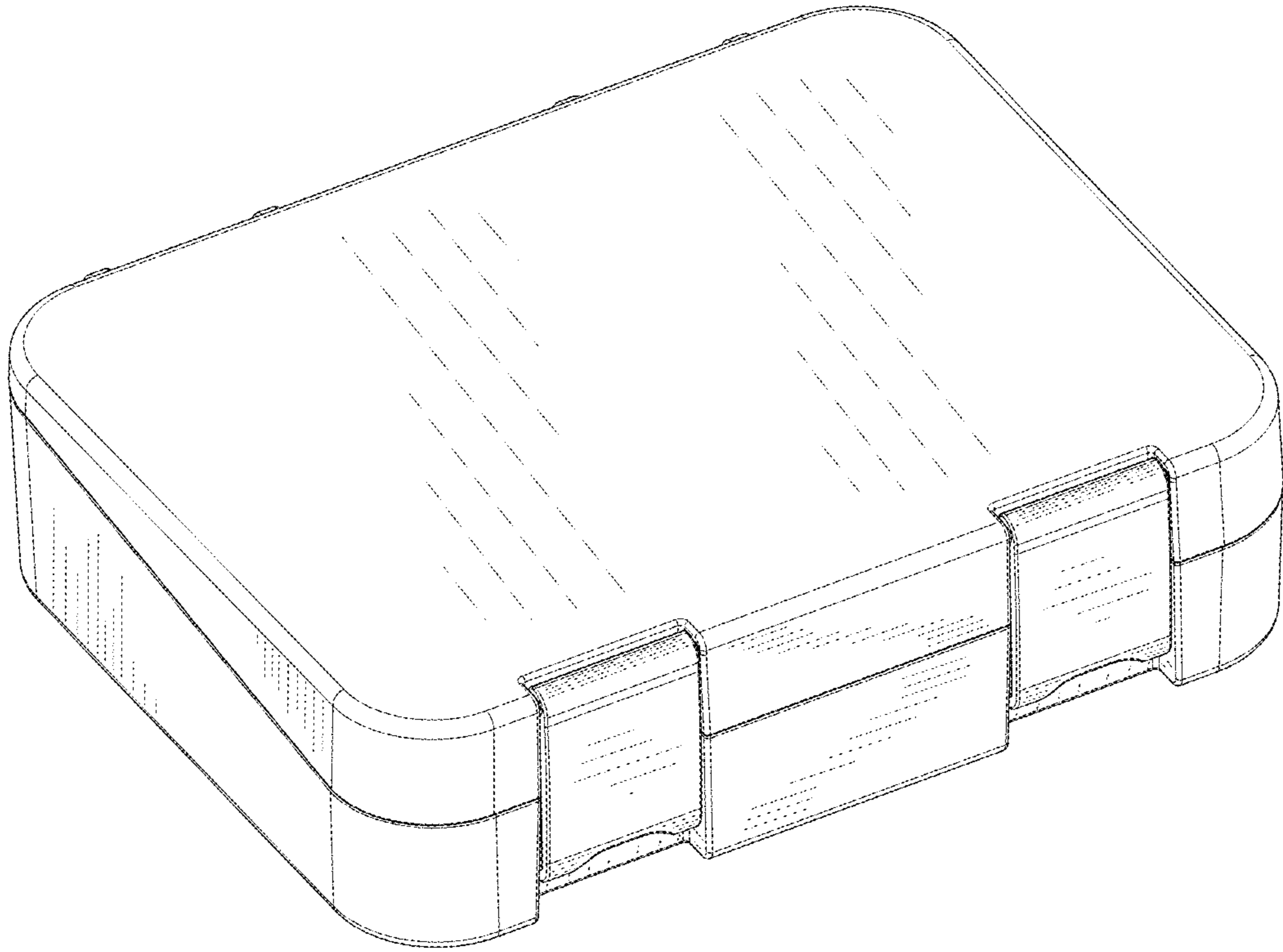


FIG. 1



FIG.2

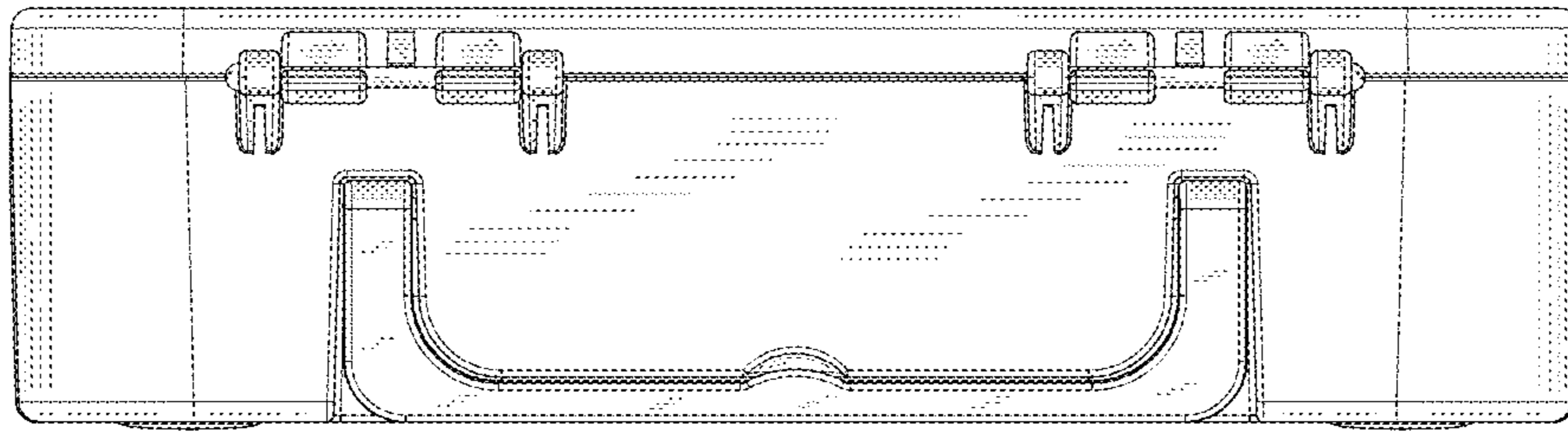


FIG.3

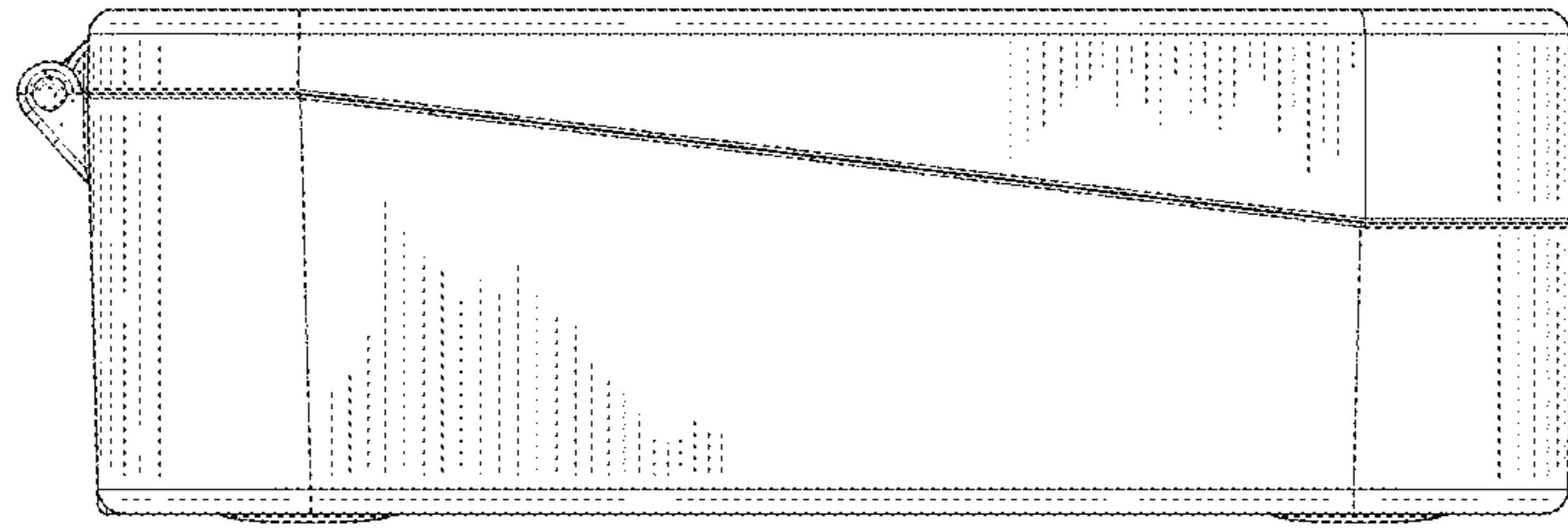


FIG.4

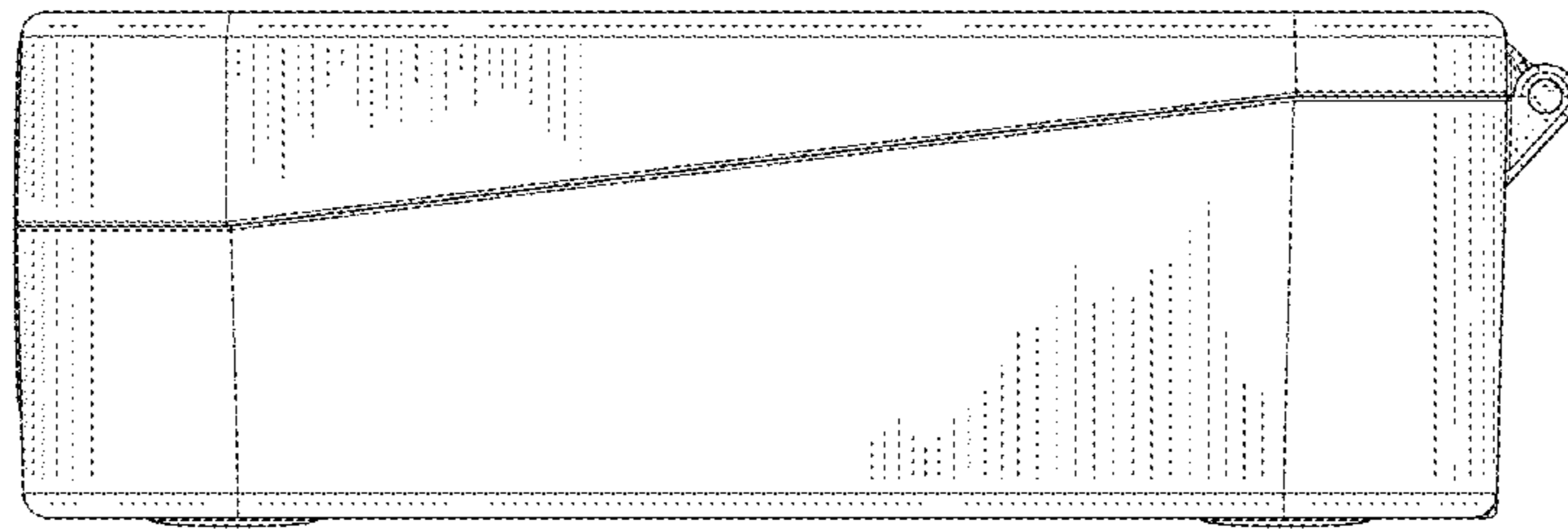


FIG.5

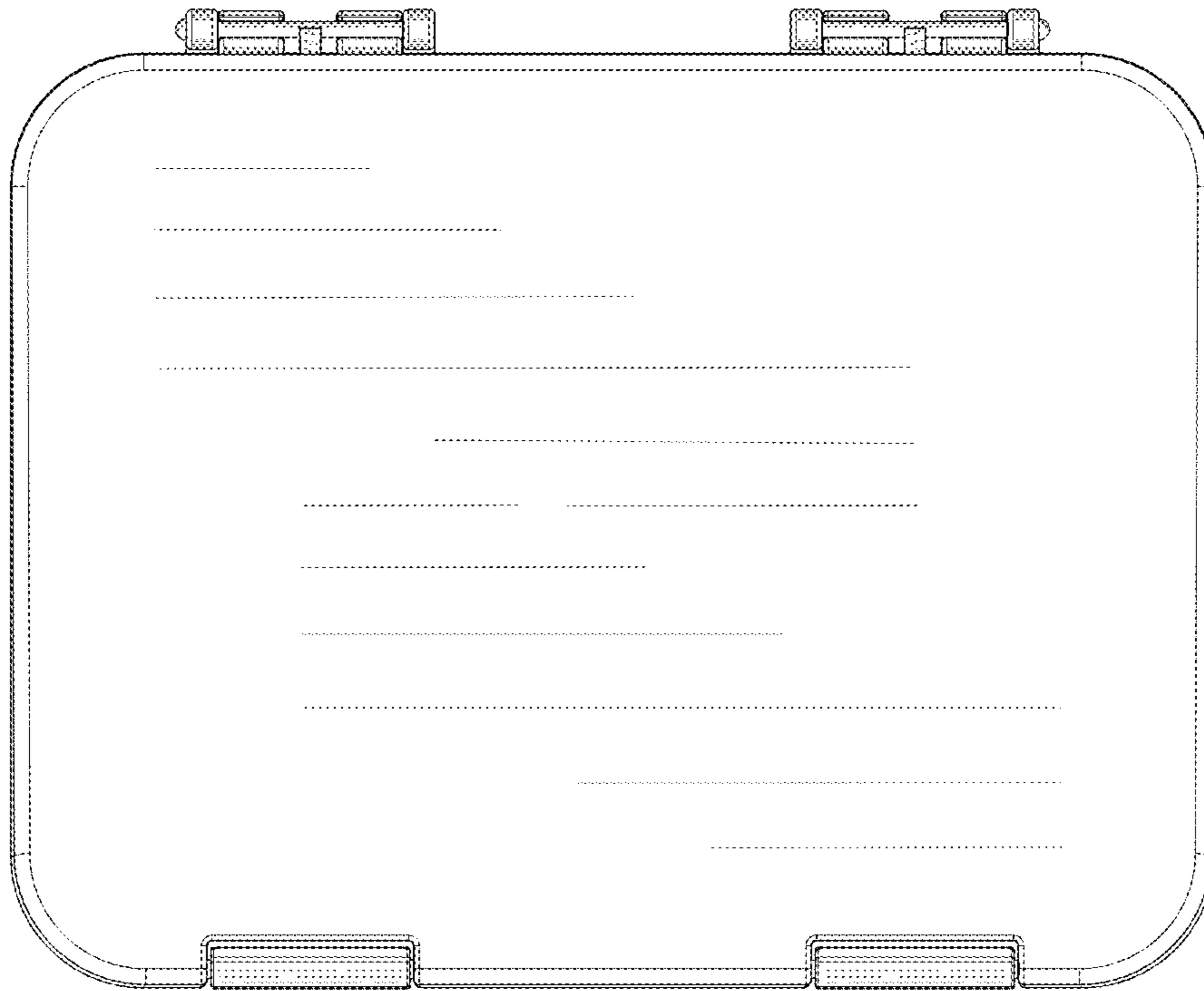


FIG.6

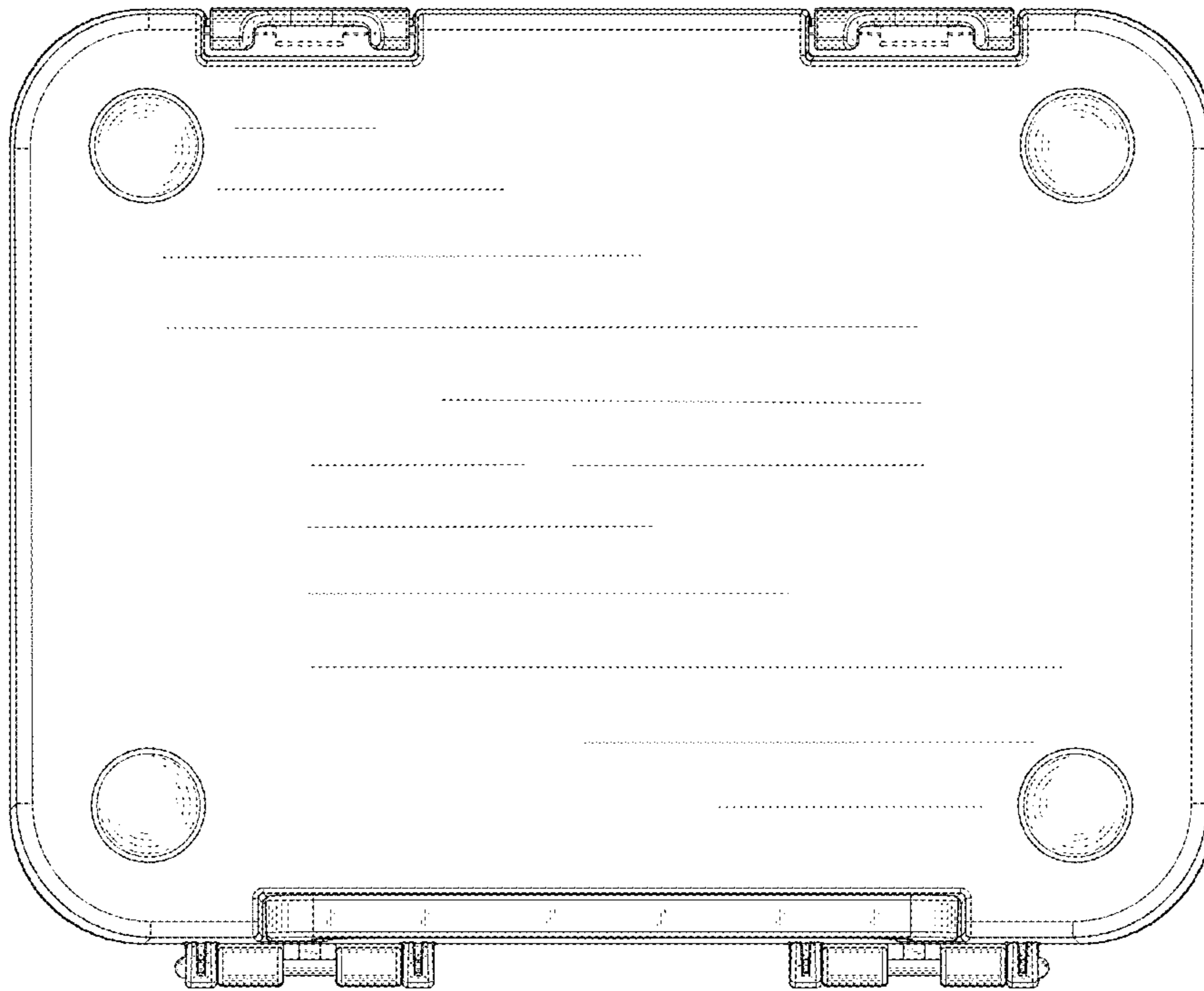


FIG.7

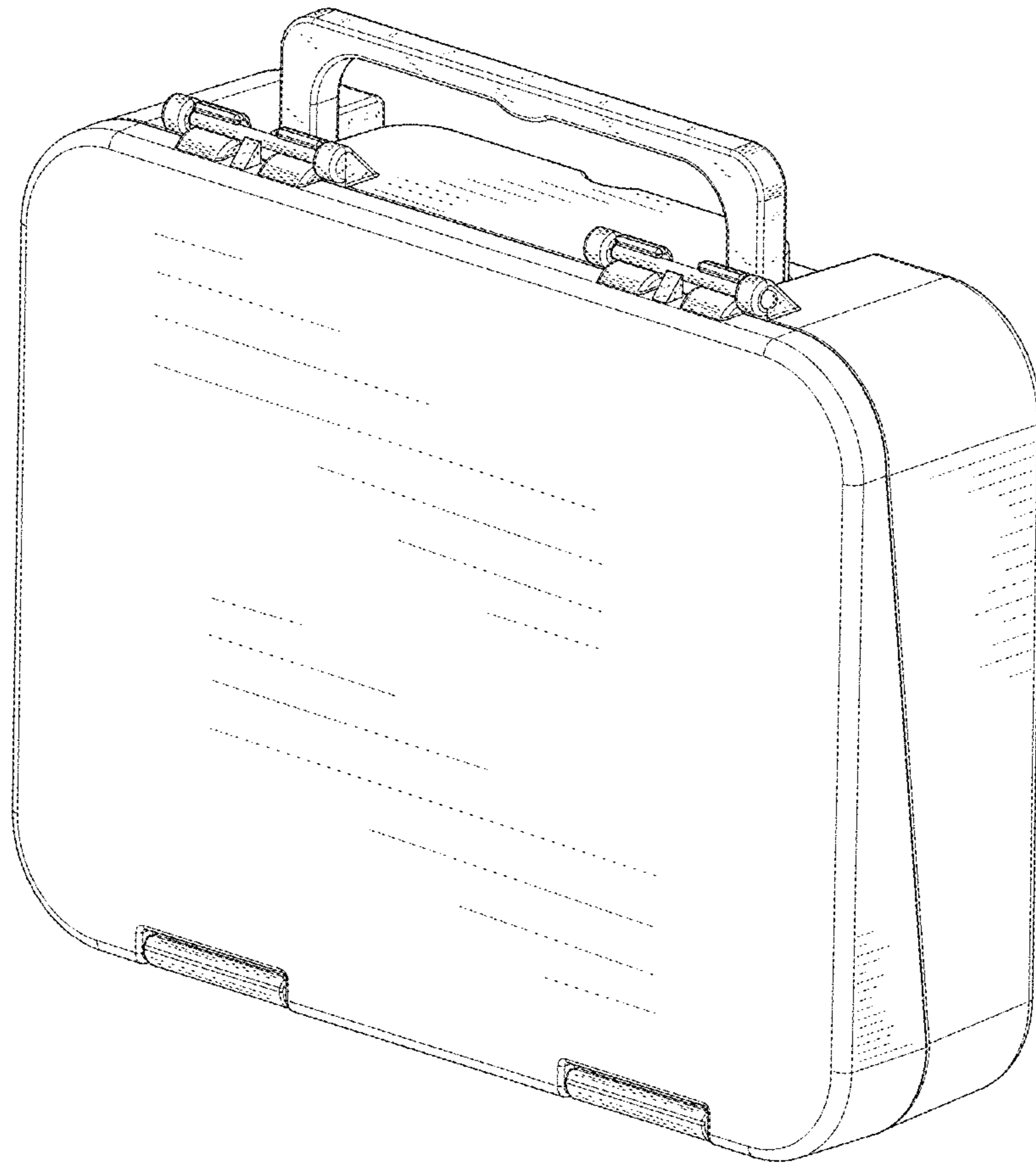


FIG.8