



US00D882358S

(12) **United States Design Patent** (10) **Patent No.:** **US D882,358 S**  
**Joseph** (45) **Date of Patent:** **\*\* Apr. 28, 2020**

(54) **NEST CHOPPING BOARD**  
(71) Applicant: **JOSEPH JOSEPH, LTD**, London (GB)  
(72) Inventor: **Antony Joseph**, London (GB)  
(73) Assignee: **JOSEPH JOSEPH, LTD.**, London (GB)  
(\*\*) Term: **15 Years**  
(21) Appl. No.: **29/671,908**  
(22) Filed: **Nov. 30, 2018**  
(30) **Foreign Application Priority Data**  
Jun. 1, 2018 (EM) ..... 005293362  
(51) **LOC (12) Cl.** ..... **07-04**  
(52) **U.S. Cl.**  
USPC ..... **D7/698**  
(58) **Field of Classification Search**  
USPC ..... D7/543, 549, 550.1, 586, 673, 698-699;  
D32/55-57  
CPC ..... A47J 47/00; A47J 47/005; A47J 47/20;  
B26B 29/063; B26D 7/0006; B26D  
7/018; B26D 7/20; B23D 21/00; B23K  
37/04; B23K 37/053; B23Q 16/001;  
G03B 21/58  
See application file for complete search history.

(56) **References Cited**  
U.S. PATENT DOCUMENTS  
1,864,077 A \* 6/1932 Lewis ..... G03B 21/58  
160/37  
4,133,238 A \* 1/1979 Jacobs ..... B26B 29/063  
83/466.1

D362,374 S \* 9/1995 Roach ..... D7/673  
D623,029 S \* 9/2010 Russell, II ..... D7/698  
D630,478 S \* 1/2011 Bell ..... D7/698  
D665,635 S \* 8/2012 Evans ..... D7/698  
D682,633 S \* 5/2013 Evans ..... D7/698  
D689,750 S \* 9/2013 Wang ..... D7/698  
D757,506 S \* 5/2016 Evans ..... D7/698  
D759,442 S \* 6/2016 Evans ..... D7/698  
D840,199 S \* 2/2019 Evans ..... D7/698  
D844,402 S \* 4/2019 Evans ..... D7/698  
D849,489 S \* 5/2019 Evans ..... D7/698

\* cited by examiner

*Primary Examiner* — Ricky Pham  
(74) *Attorney, Agent, or Firm* — Millen, White, Zelano & Branigan, PC; Ryan Pool

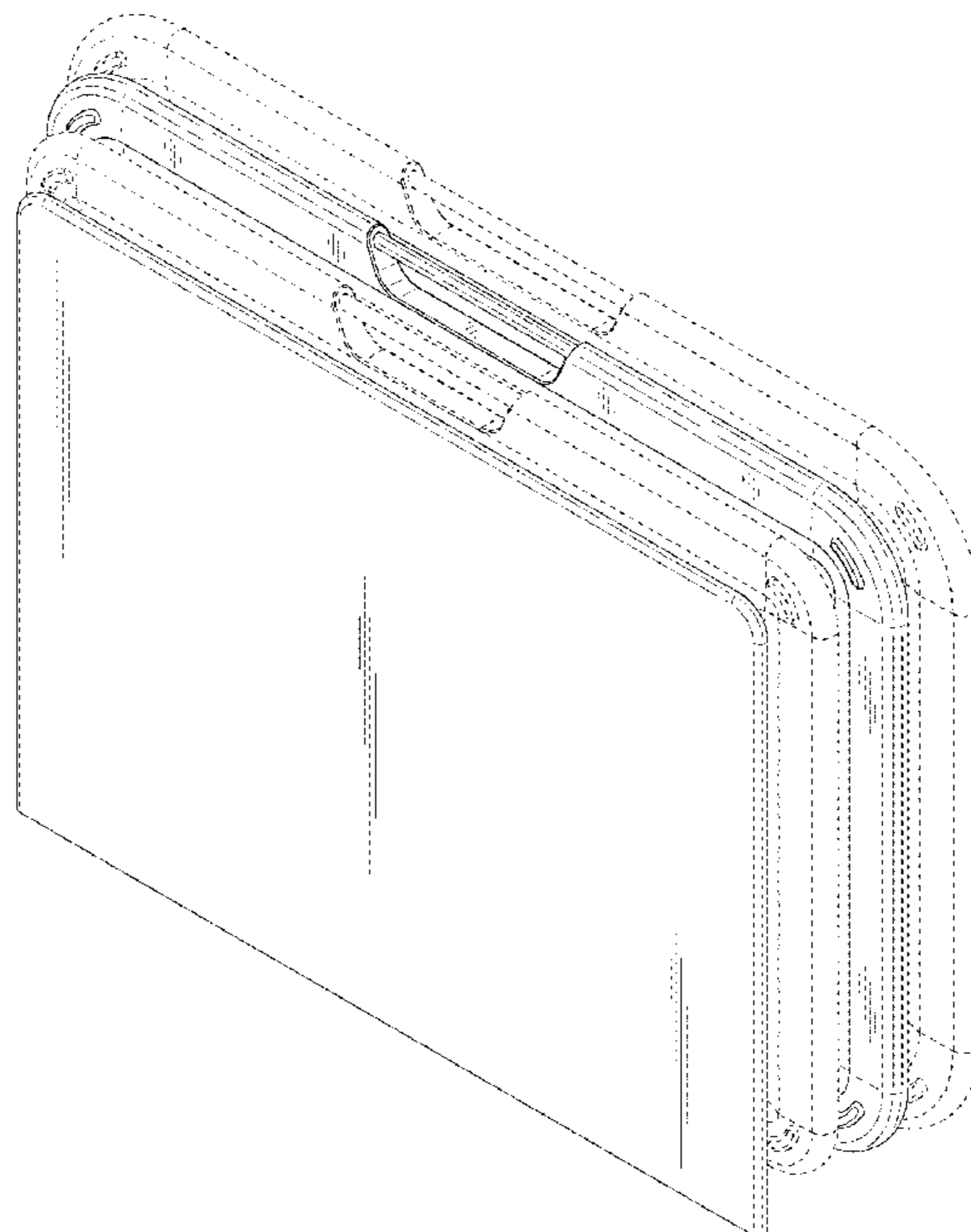
(57) **CLAIM**

The ornamental design for a nest chopping board, as shown and described.

**DESCRIPTION**

FIG. 1 is a front perspective view of the nest chopping board showing my new design.  
FIG. 2 is a front view thereof.  
FIG. 3 is a back view thereof.  
FIG. 4 is a side view thereof.  
FIG. 5 is another side view thereof.  
FIG. 6 is a top view thereof; and,  
FIG. 7 is a bottom view thereof.  
The broken lines in the drawings illustrate portions of the nest chopping board which form no part of the claimed design.

**1 Claim, 7 Drawing Sheets**



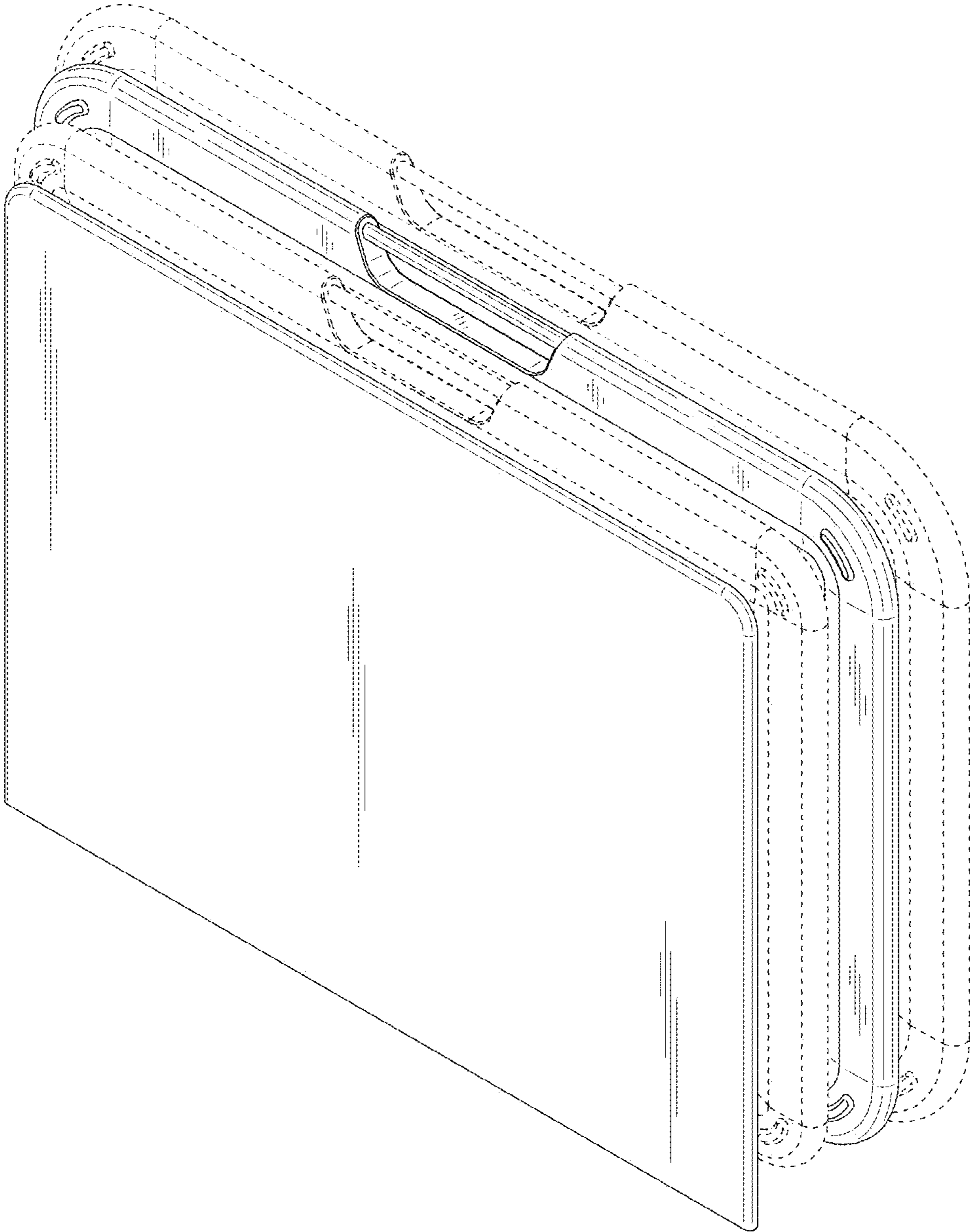


FIG. 1

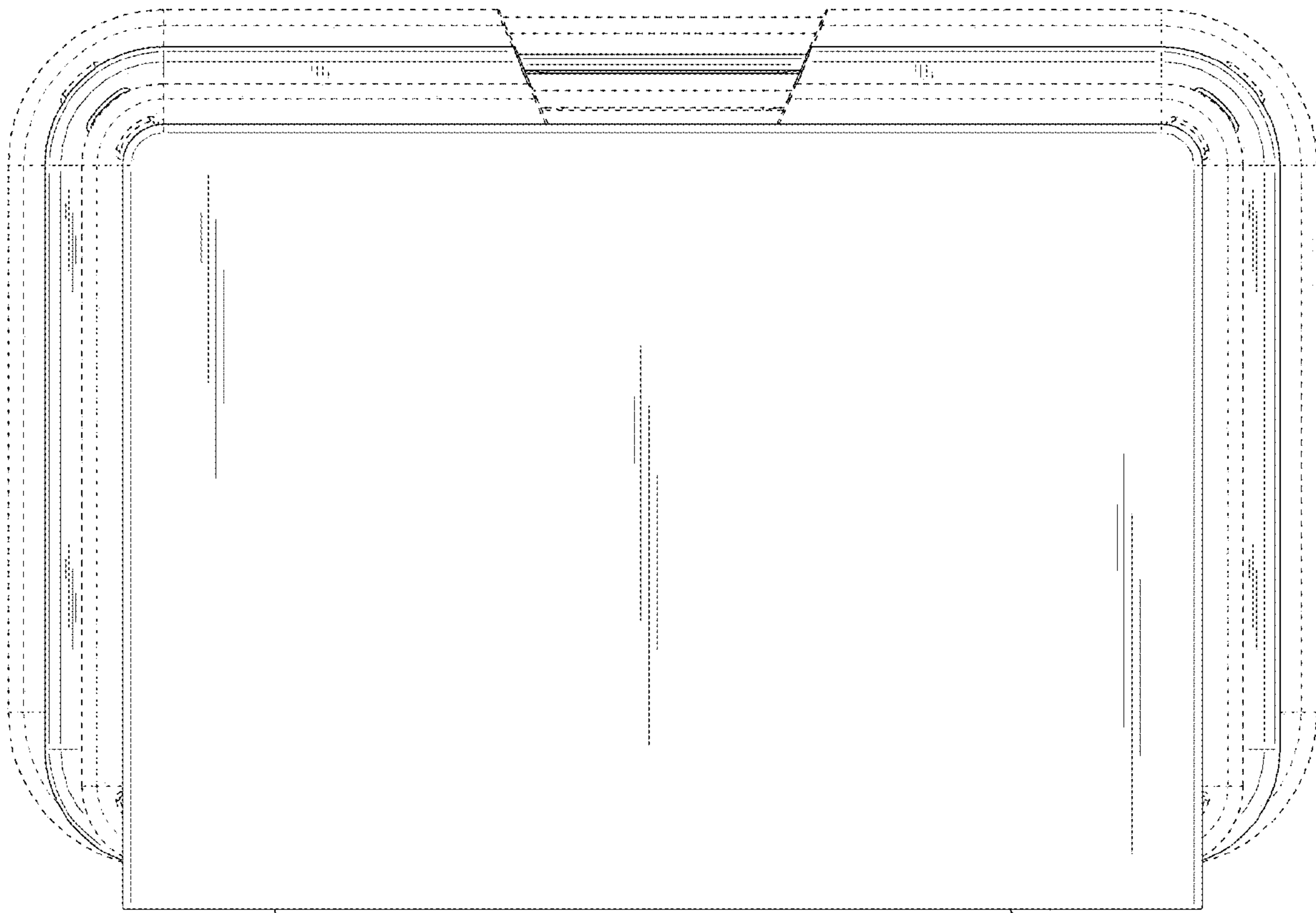


FIG. 2

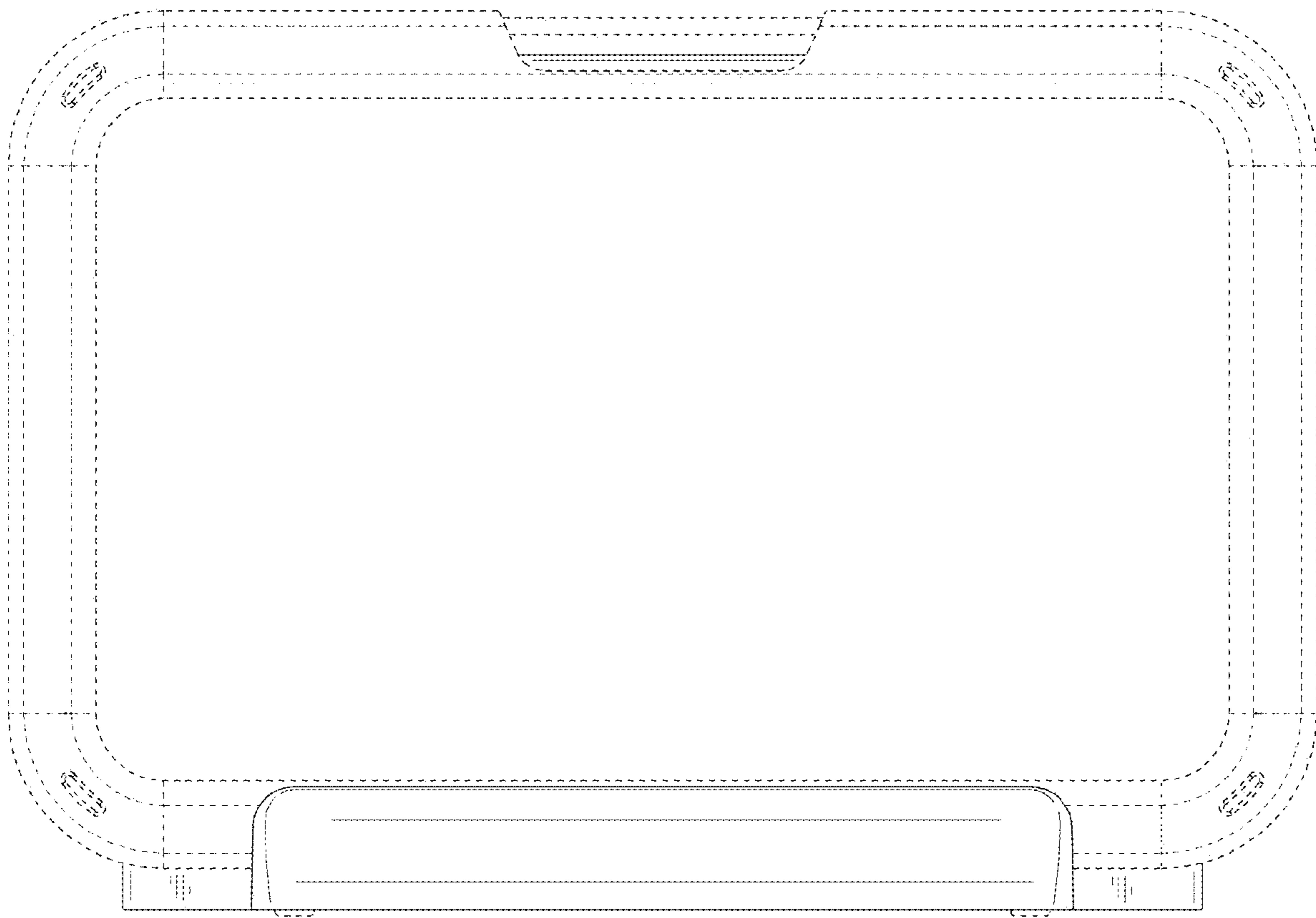


FIG. 3

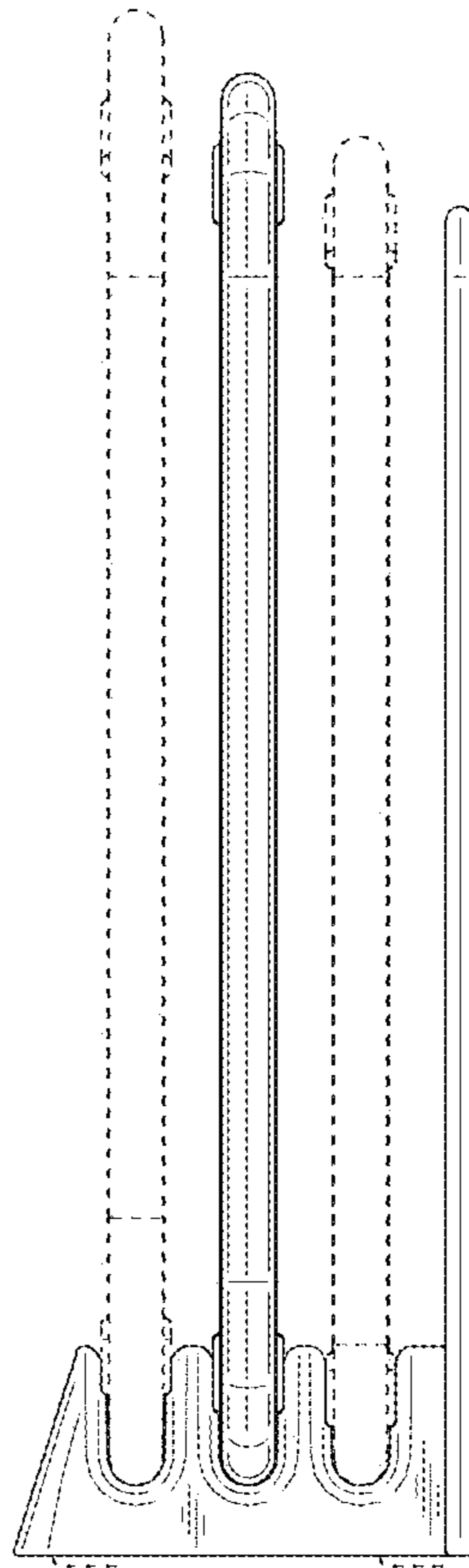


FIG. 4

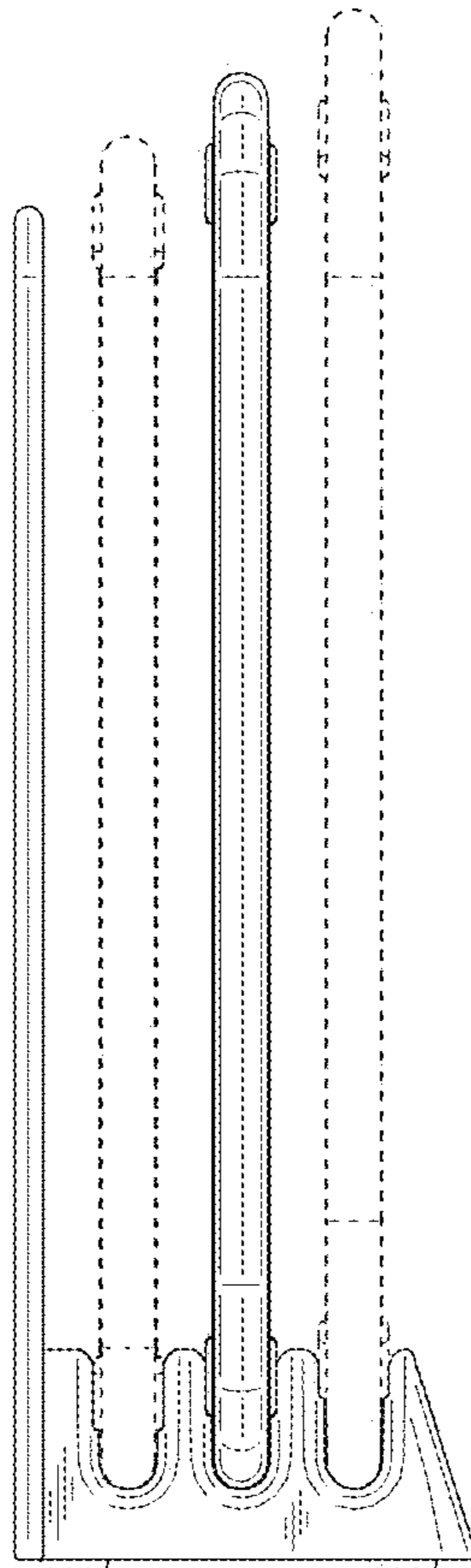


FIG. 5

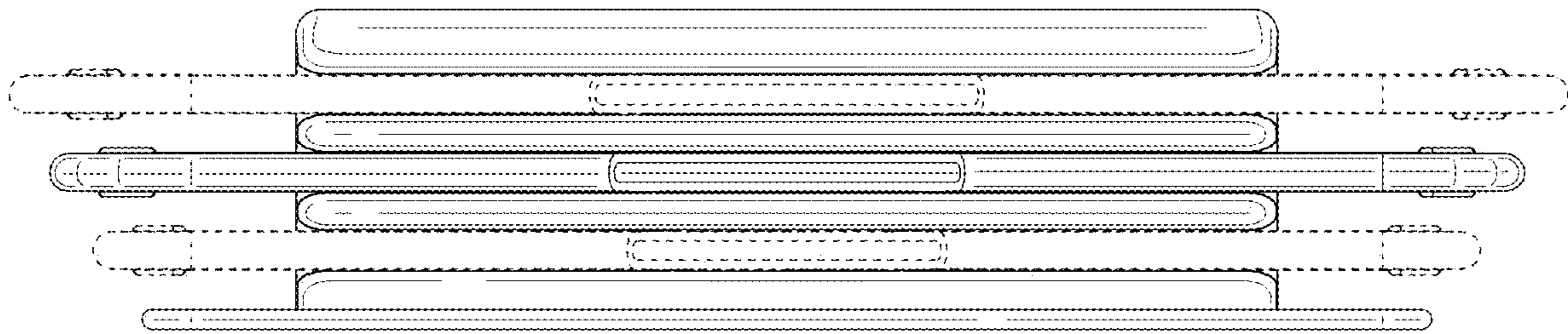


FIG. 6

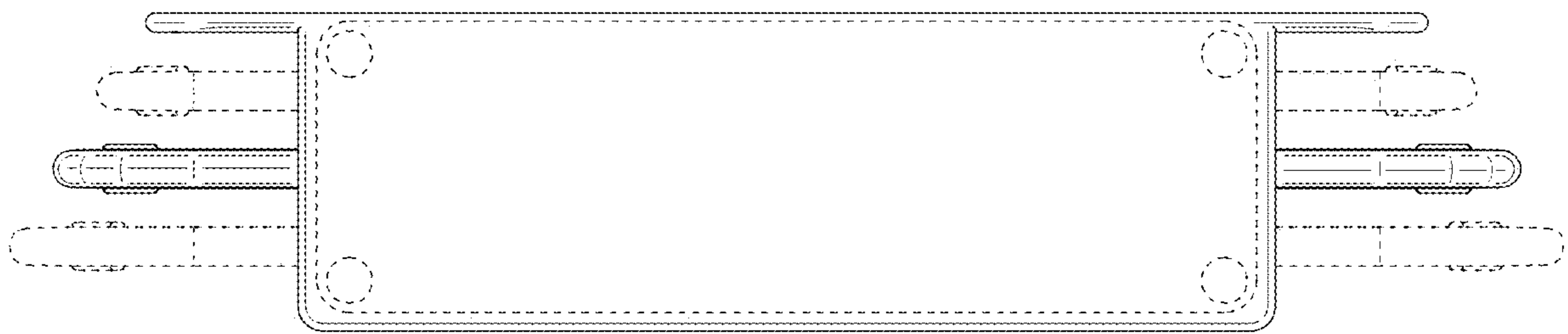


FIG. 7