



US00D882357S

(12) **United States Design Patent**  
**Zhang**

(10) **Patent No.:** **US D882,357 S**

(45) **Date of Patent:** **\*\* Apr. 28, 2020**

(54) **CHOPPING BOARD**

(71) Applicant: **Zhiqin Zhang**, Dongguan (CN)

(72) Inventor: **Zhiqin Zhang**, Dongguan (CN)

(73) Assignee: **Zhiqin Zhang**, Dongguan (CN)

(\*\*) Term: **15 Years**

(21) Appl. No.: **29/648,338**

(22) Filed: **May 21, 2018**

(51) **LOC (12) Cl.** ..... **07-04**

(52) **U.S. Cl.**

USPC ..... **D7/698**

(58) **Field of Classification Search**

USPC ..... D7/354, 543, 549, 550.1, 586, 698-699;  
D19/88, 113; D20/12, 27, 42; D21/453;  
D32/55-57

CPC ..... A47J 47/00; A47J 47/005; A47J 47/20;  
B26D 7/0006; B26D 7/018; B26D 7/20;  
B23D 21/00; B23K 37/04; B23K 37/053;  
B23Q 16/001

See application file for complete search history.

(56) **References Cited**

**U.S. PATENT DOCUMENTS**

D300,835 S \* 4/1989 Stevens ..... D20/22  
D331,604 S \* 12/1992 Niehaus ..... D20/12

D656,994 S \* 4/2012 Podd ..... D20/42  
D657,003 S \* 4/2012 Goodman-Pollack ..... D21/453  
D669,531 S \* 10/2012 Kong ..... D19/113  
D711,466 S \* 8/2014 Huang ..... D19/88  
D719,794 S \* 12/2014 Khuu ..... D7/698  
D719,795 S \* 12/2014 Khuu ..... D7/698  
D723,883 S \* 3/2015 Khuu ..... D7/698  
D732,876 S \* 6/2015 Lagsdin ..... D7/354  
D787,593 S \* 5/2017 Robins ..... D19/113

\* cited by examiner

*Primary Examiner* — Ricky Pham

(74) *Attorney, Agent, or Firm* — Karthik Murthy; Murthy Patent Law PLLC

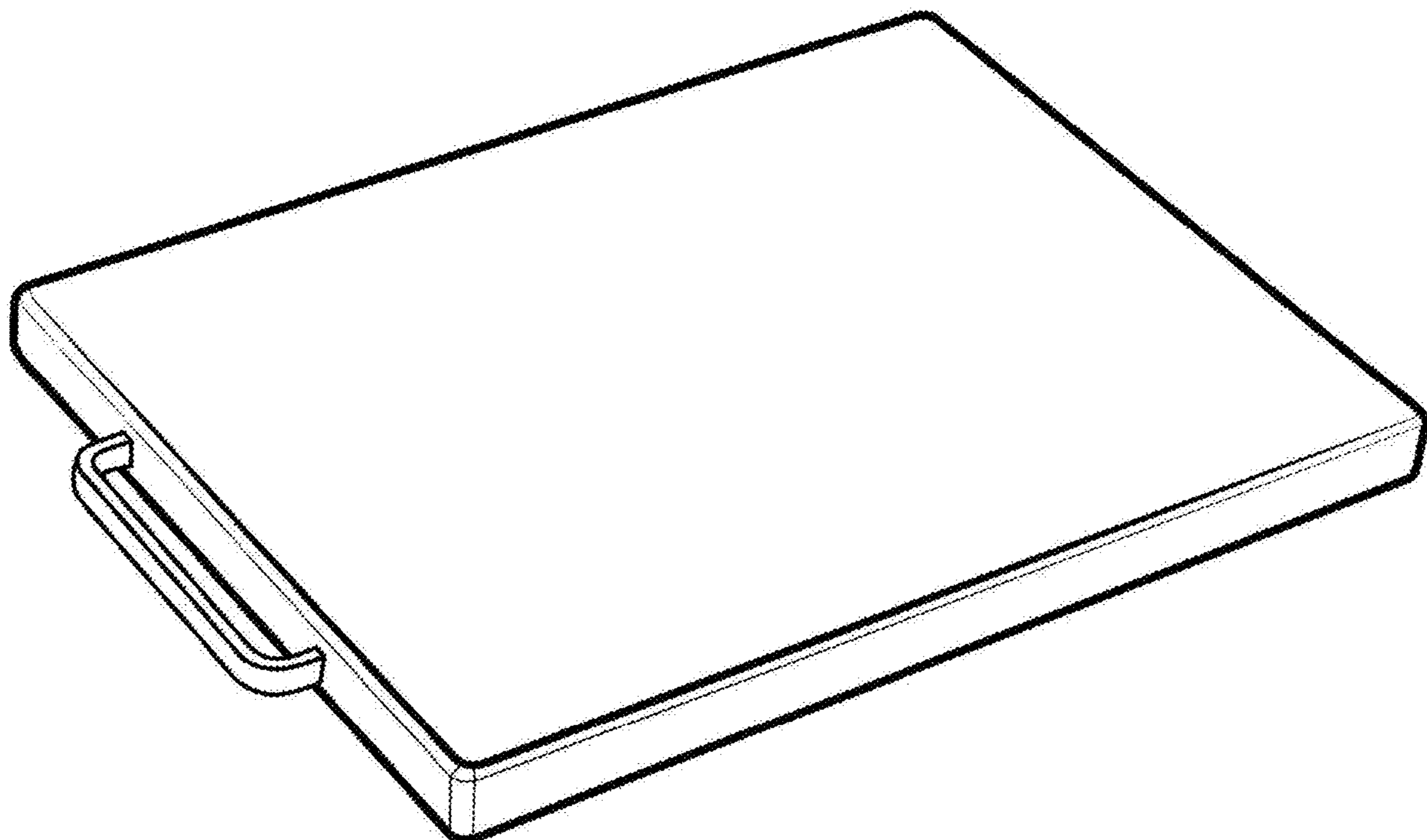
(57) **CLAIM**

The ornamental design for a chopping board, as shown and described.

**DESCRIPTION**

FIG. 1 is a top oblique view of a chopping board showing my new design;  
FIG. 2 is a top perspective view thereof;  
FIG. 3 is a side view thereof; and,  
FIG. 4 is an enlarged side view thereof.  
The bottom and missing side view, not shown, forms no part of the claimed design.

**1 Claim, 4 Drawing Sheets**



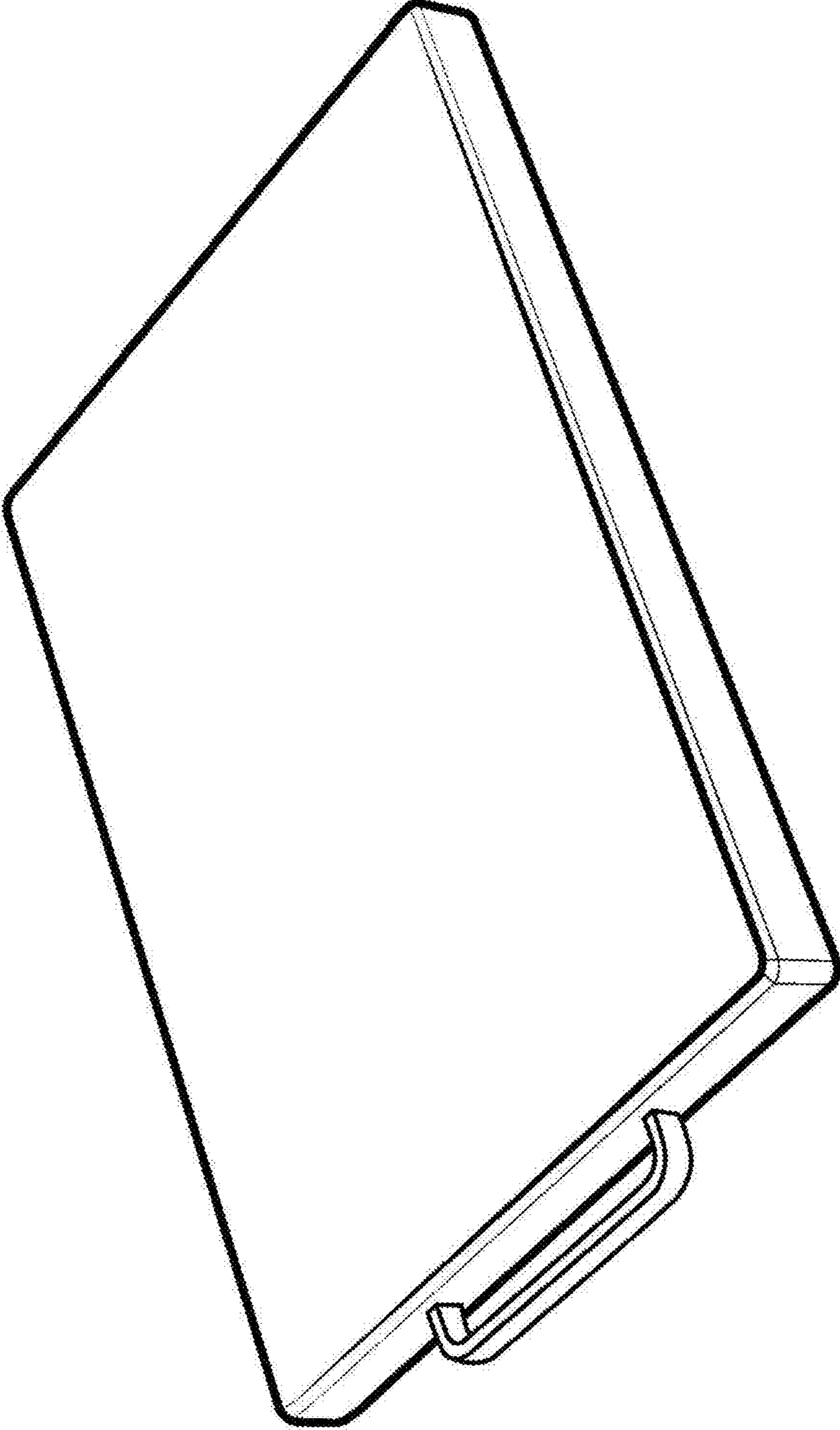


FIG. 1

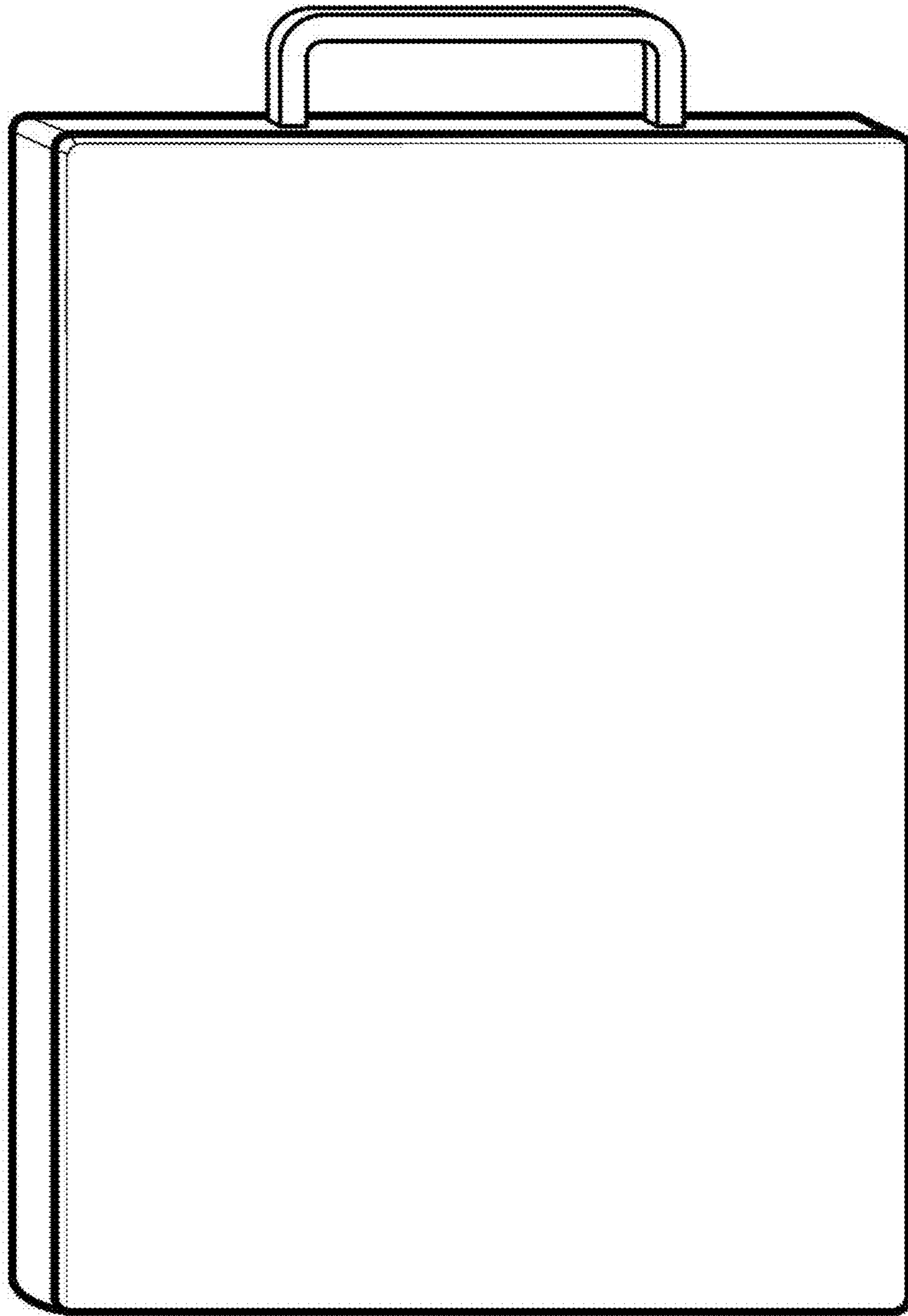


FIG. 2



FIG. 3

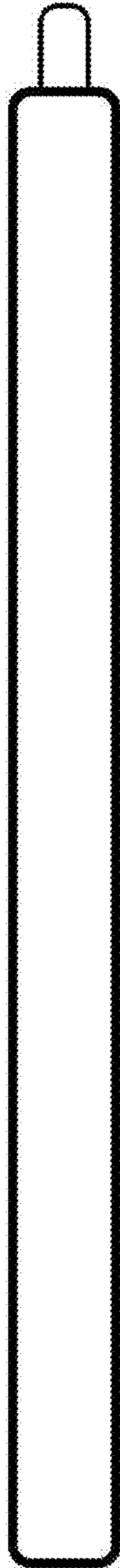


FIG. 4