



US00D882356S

(12) **United States Design Patent** (10) **Patent No.:** **US D882,356 S**
Gort-Barten (45) **Date of Patent:** **** Apr. 28, 2020**

(54) **WHISK** 5,725,305 A * 3/1998 Delbor A47J 43/1087
 366/129
 (71) Applicant: **Alex Gort-Barten**, West Sussex (GB) D406,216 S * 3/1999 Renner D7/690
 D489,583 S * 5/2004 Cheung D7/690
 (72) Inventor: **Alex Gort-Barten**, West Sussex (GB) D490,647 S * 6/2004 Buesching D7/379
 D492,165 S * 6/2004 Cheung D7/690
 (**) Term: **15 Years** D655,568 S * 3/2012 Chapman D7/376
 D690,160 S * 9/2013 Bodum D7/412
 (21) Appl. No.: **29/665,568** D727,096 S * 4/2015 Vu D7/376
 D730,689 S * 6/2015 Bodum D7/412

* cited by examiner

(30) **Foreign Application Priority Data**

Apr. 4, 2018 (EM) 005192515

(51) **LOC (12) Cl.** **07-04**

(52) **U.S. Cl.**
USPC **D7/690**

(58) **Field of Classification Search**
USPC D7/669, 368, 688, 690, 379, 380, 376,
D7/412
CPC A47J 19/04; A47J 43/0711; A47J 43/287;
A47J 43/1093; A47J 43/105; A47J
43/1075; A47J 43/1081; A47J 43/1087
See application file for complete search history.

(56) **References Cited**

U.S. PATENT DOCUMENTS

2,278,398 A * 3/1942 Wittmann A47J 43/1068
 366/343
 2,906,510 A * 9/1959 Harris A47J 43/1087
 416/72

Primary Examiner — Terry A Wallace
(74) *Attorney, Agent, or Firm* — Stites & Harbison,
 PLLC; David W. Nagle, Jr.

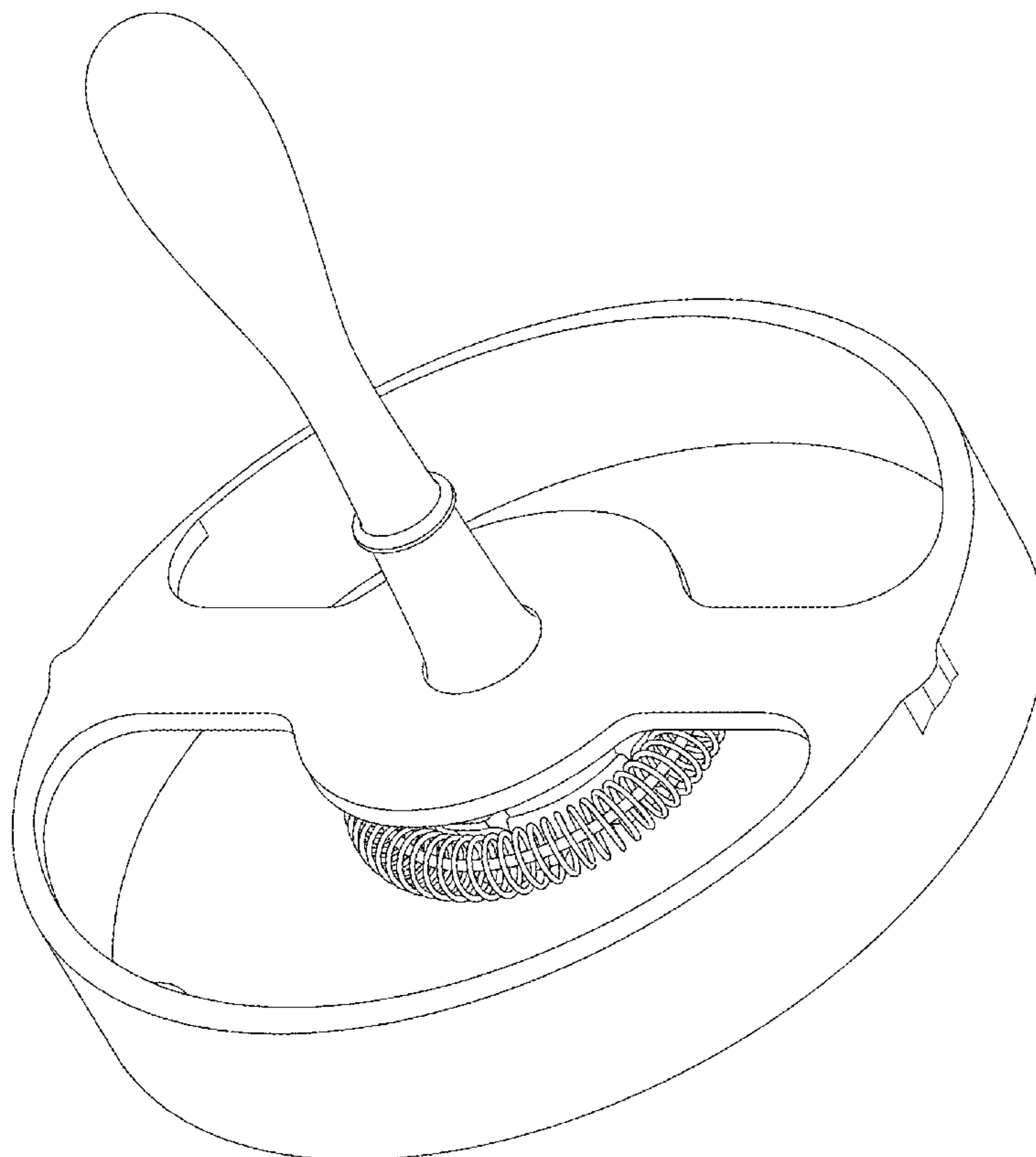
(57) **CLAIM**

The ornamental design for a whisk, as shown and described.

DESCRIPTION

FIG. 1 is a perspective view of a whisk incorporating the design of the present invention, showing the top, left side, and front surfaces of the whisk;
 FIG. 2 is a top view of the whisk of FIG. 1;
 FIG. 3 is a bottom view of the whisk of FIG. 1;
 FIG. 4 is a front view of the whisk of FIG. 1;
 FIG. 5 is a rear view of the whisk of FIG. 1;
 FIG. 6 is a left side view of the whisk of FIG. 1; and,
 FIG. 7 is a right side view of the whisk of FIG. 1.

1 Claim, 7 Drawing Sheets



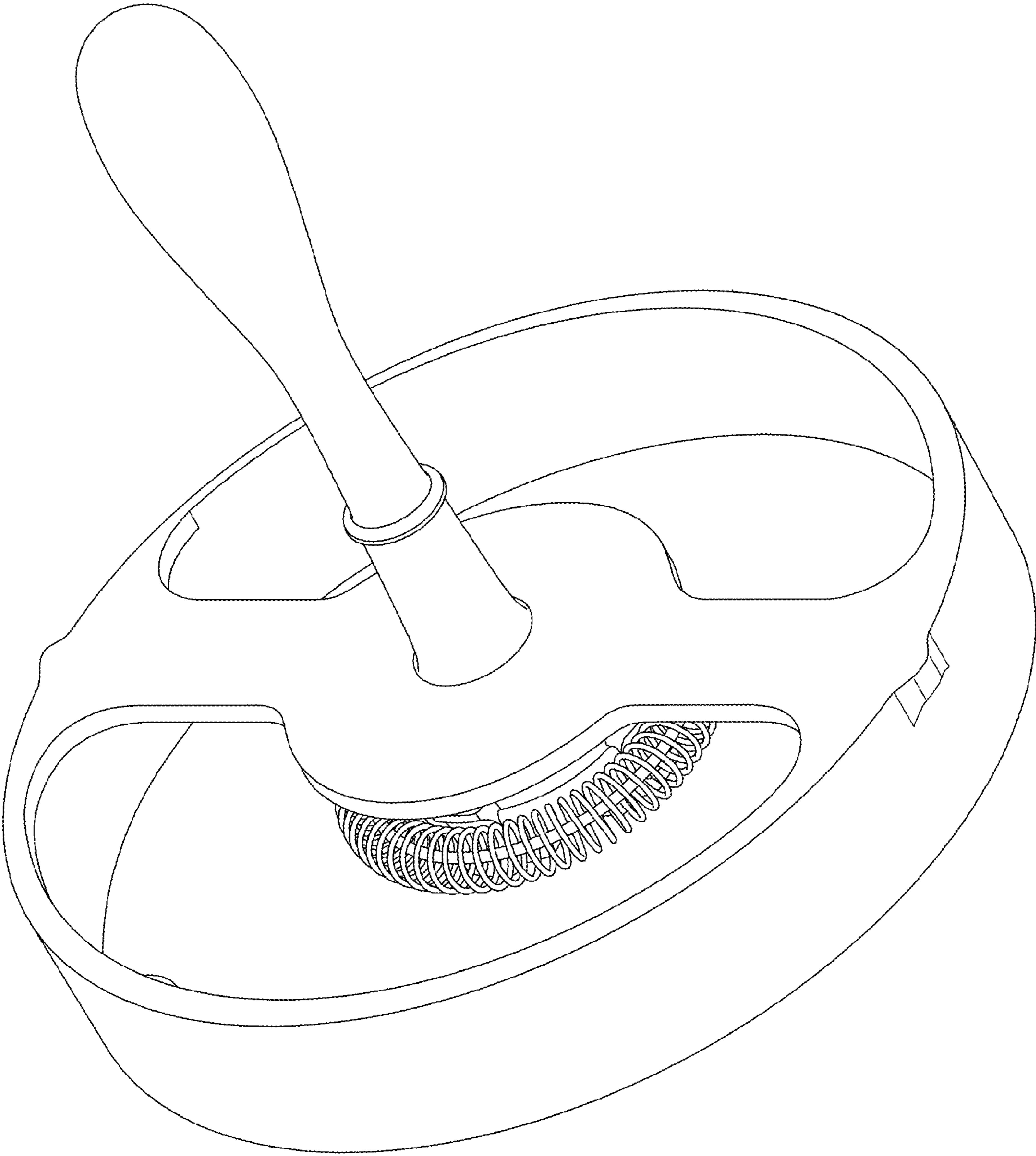


FIG. 1

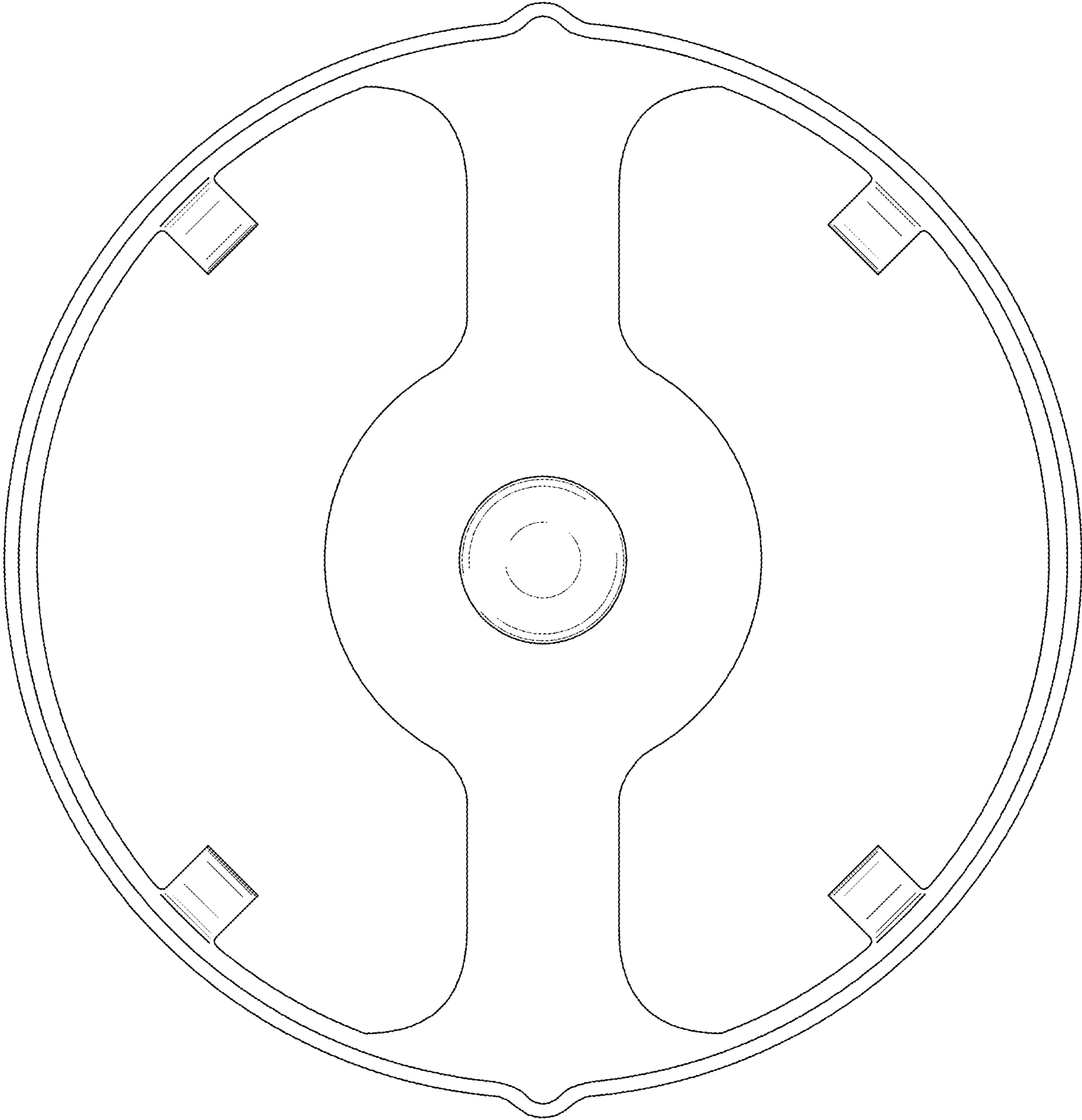


FIG. 2

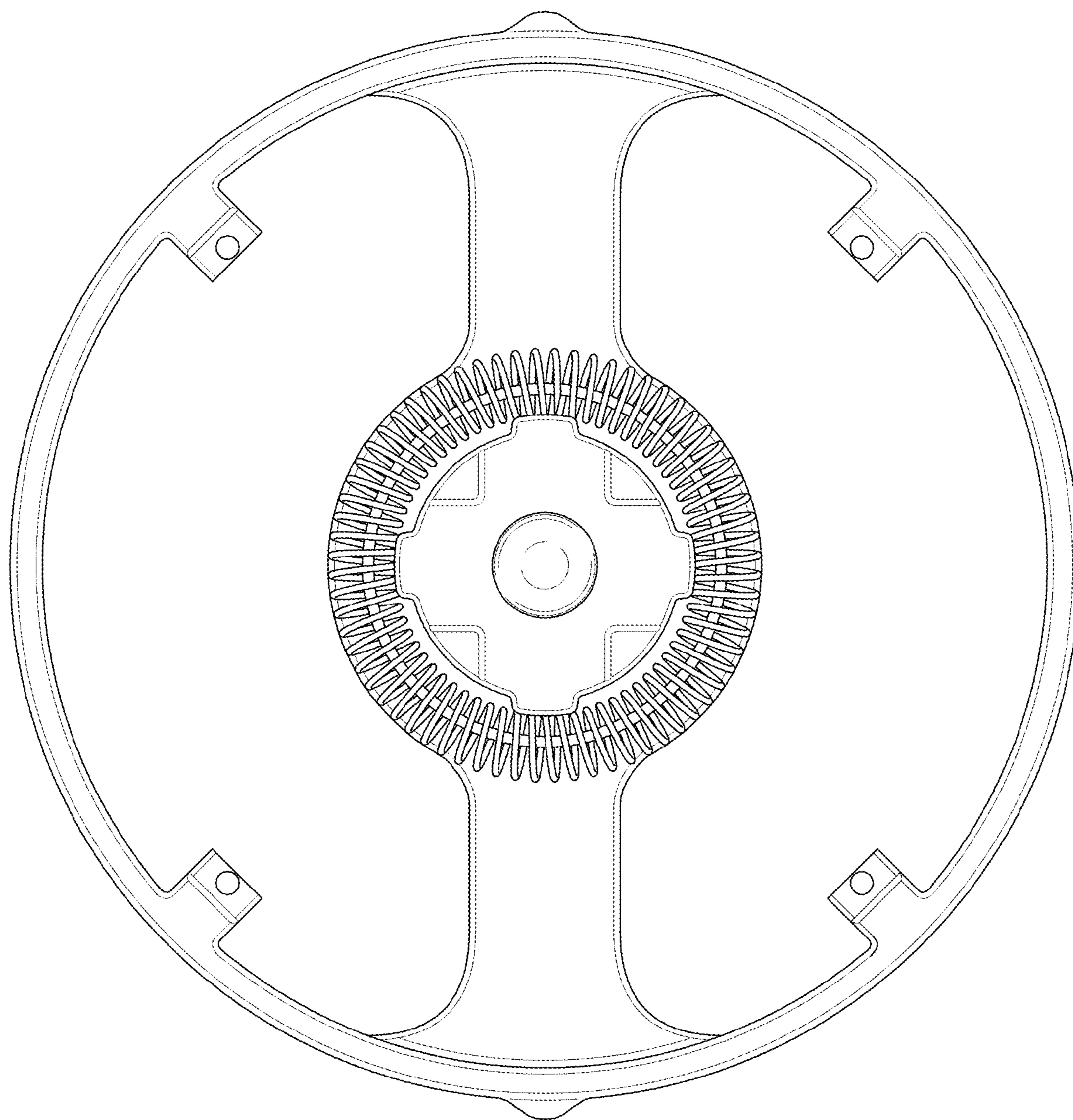


FIG. 3

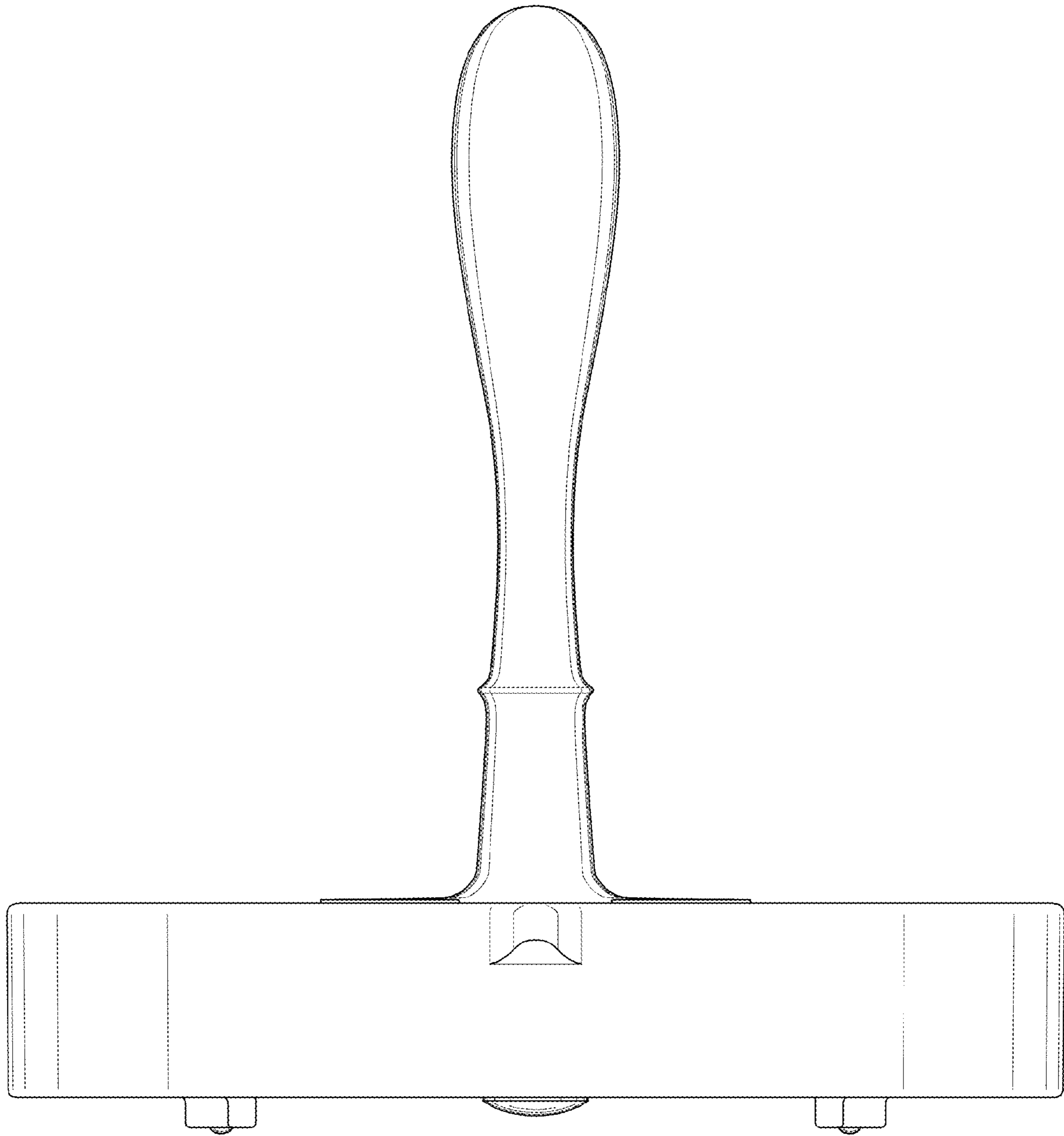


FIG. 4

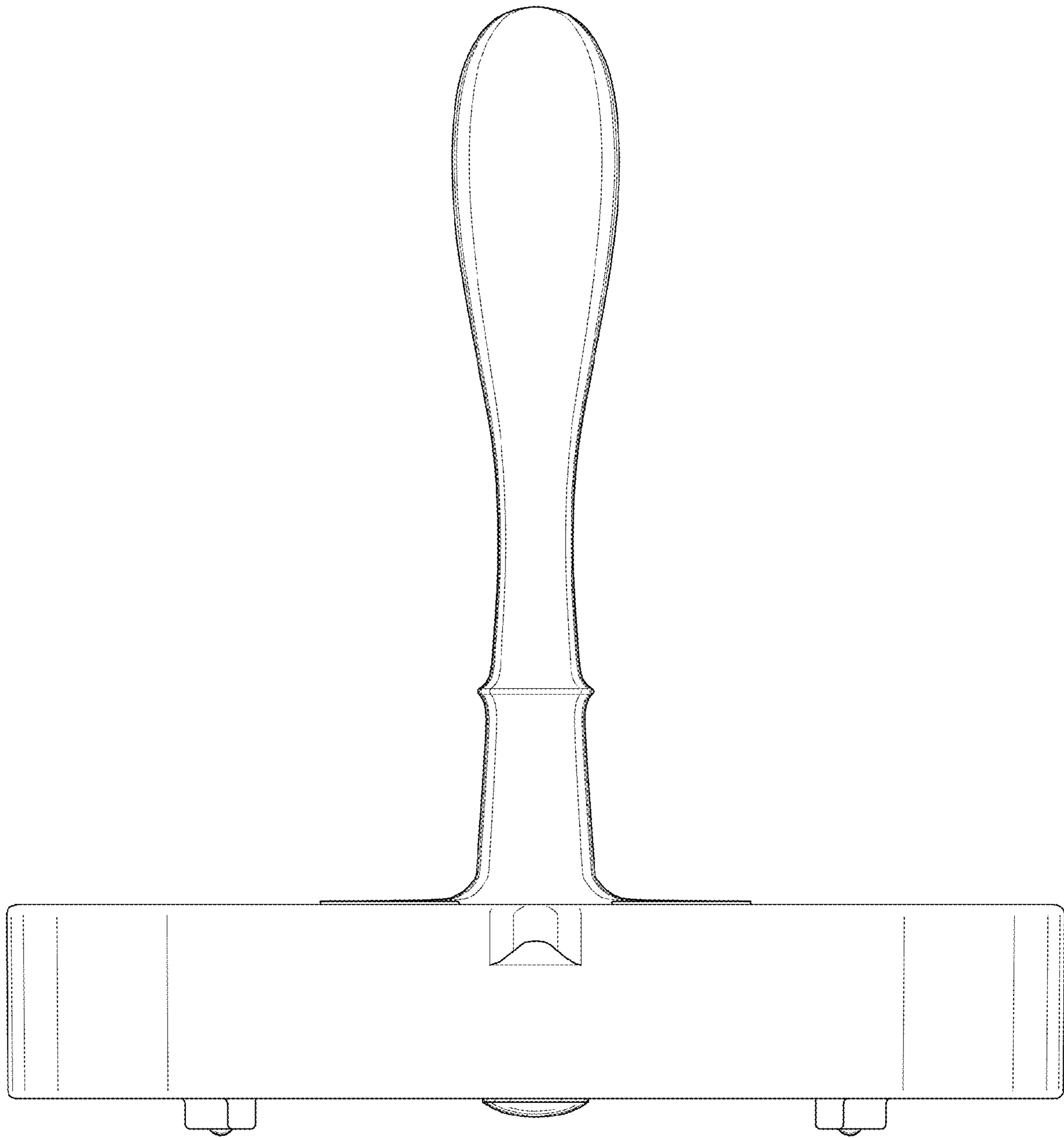


FIG. 5

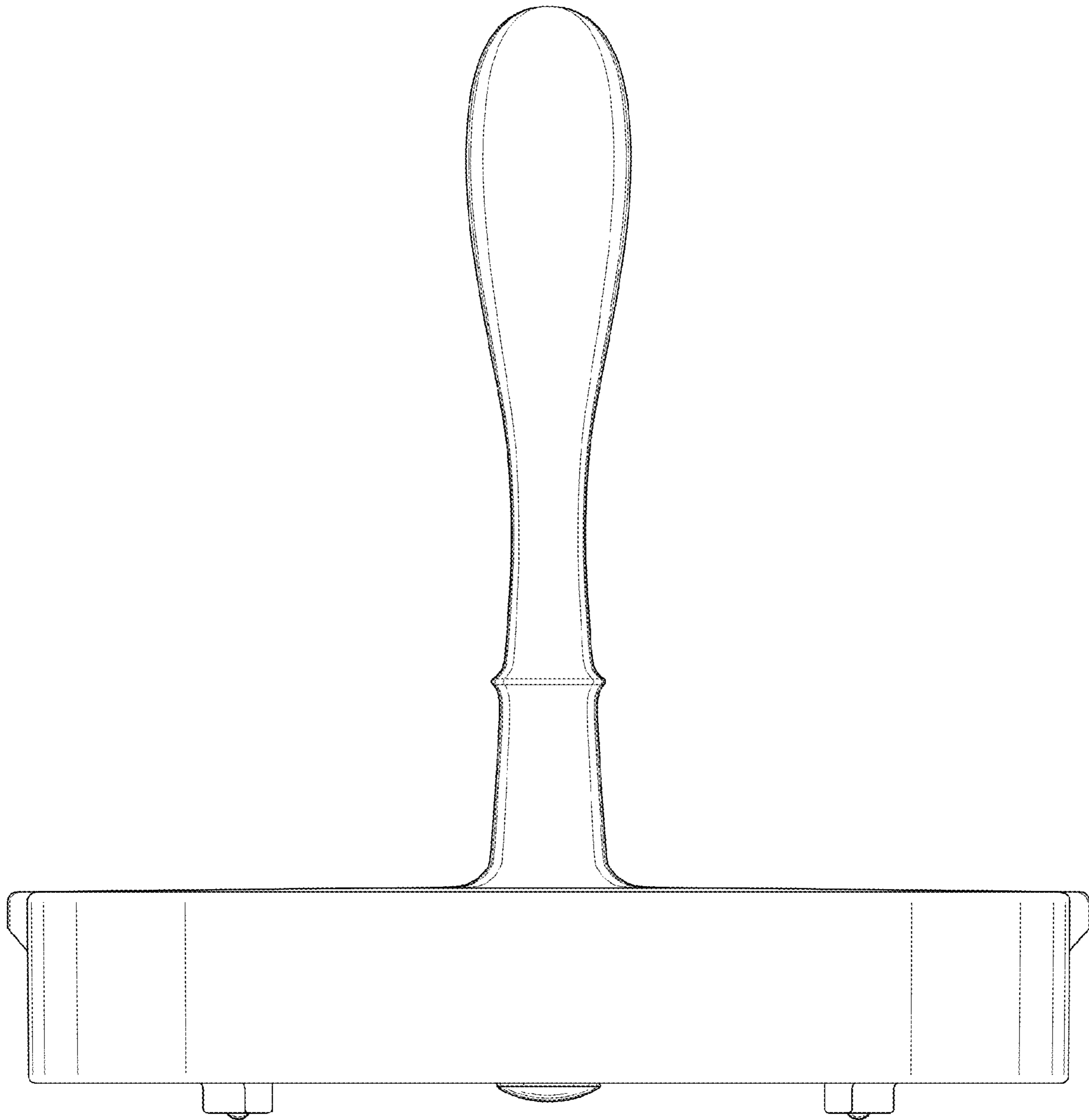


FIG. 6

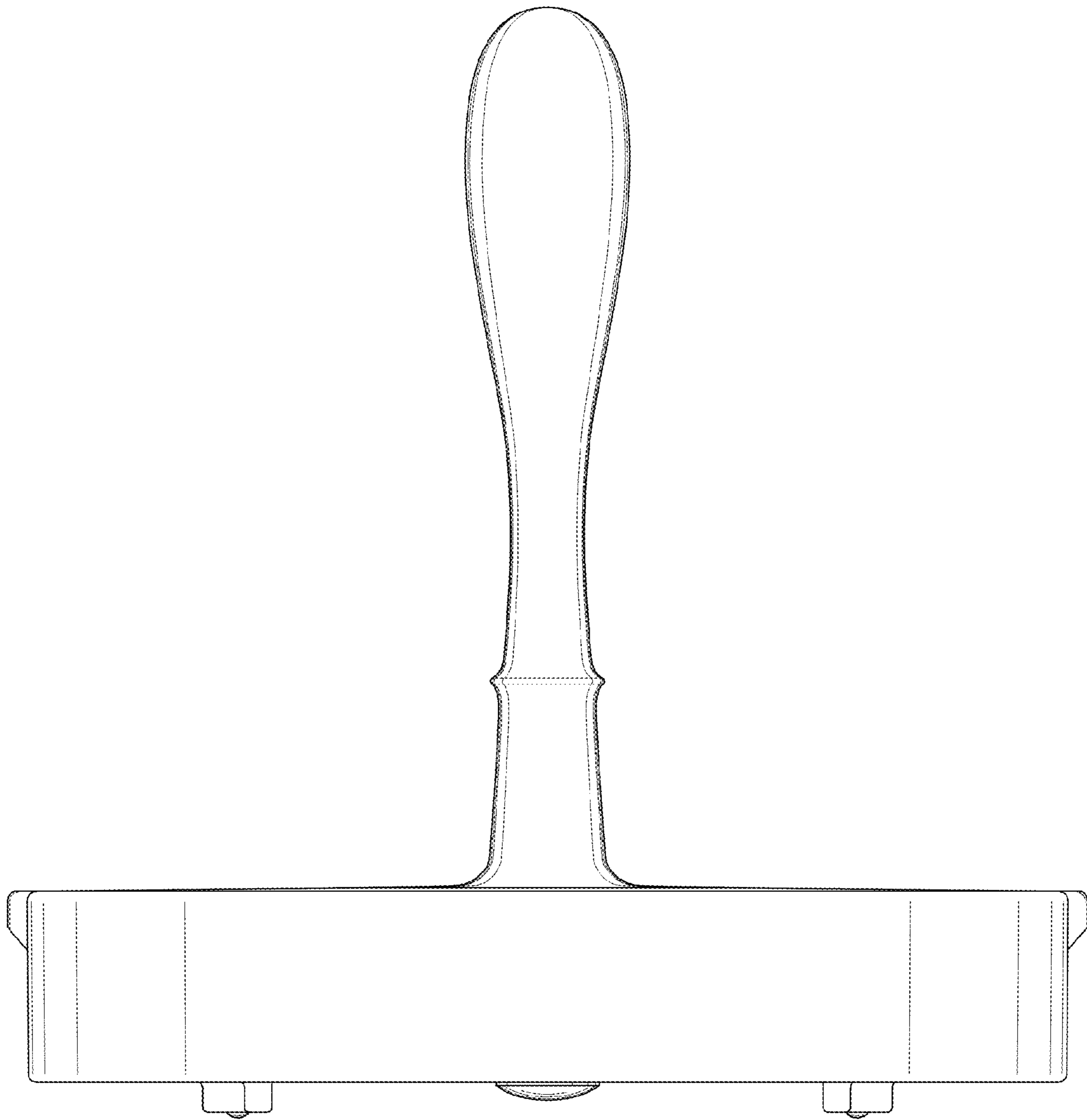


FIG. 7