



US00D882347S

(12) **United States Design Patent** (10) **Patent No.:** **US D882,347 S**
Rico (45) **Date of Patent:** **** Apr. 28, 2020**

(54) **RECEPTACLE FOR HOLDING COOKING GREASE AND OIL**

D797,534 S * 9/2017 Pentland D8/45
D865,442 S * 11/2019 Hunter D7/396.2
2007/0267424 A1* 11/2007 Marks A47G 19/2205
220/703

(71) Applicant: **Gonzalo Rico**, DeKalb, IL (US)

* cited by examiner

(72) Inventor: **Gonzalo Rico**, DeKalb, IL (US)

Primary Examiner — Derrick E Holland

(**) Term: **15 Years**

Assistant Examiner — Andrew Kerr

(21) Appl. No.: **29/669,905**

(74) *Attorney, Agent, or Firm* — Foley & Lardner LLP

(22) Filed: **Nov. 12, 2018**

(51) **LOC (12) Cl.** **07-01**

(52) **U.S. Cl.**
USPC **D7/629**

(58) **Field of Classification Search**

USPC D7/509, 514, 518, 521, 523, 530, 538,
D7/539, 540, 601, 602, 604, 628, 629,
D7/630; D9/501, 503, 505, 715, 719
CPC A47G 19/2227; B65D 81/3837; B01D
23/00; B01D 23/28

See application file for complete search history.

(56) **References Cited**

U.S. PATENT DOCUMENTS

D257,315 S * 10/1980 Keon D7/615
D361,416 S * 8/1995 Szekely D34/1
D576,848 S * 9/2008 Williams D7/700
D641,255 S * 7/2011 Williams D9/719

(57) **CLAIM**

I claim the ornamental design for a receptacle for holding cooking grease and oil, as shown and described.

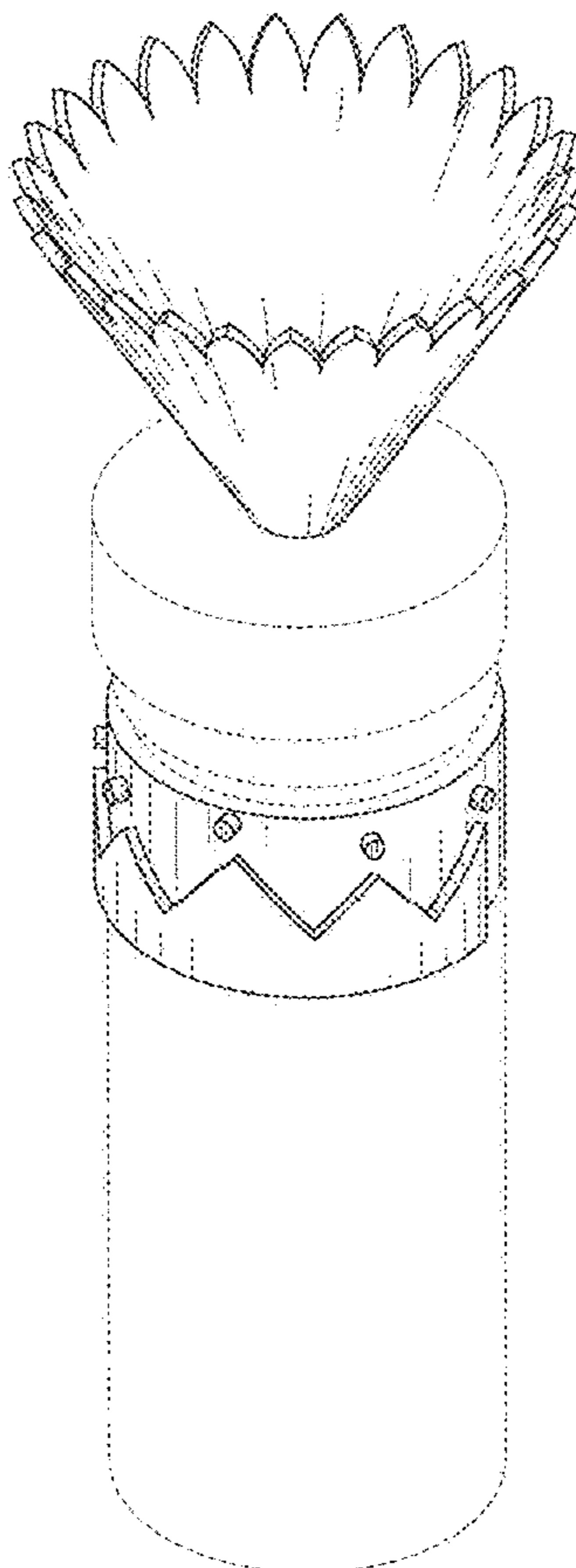
DESCRIPTION

FIG. 1 is a front perspective view of a receptacle for holding cooking grease and oil, showing our new design; FIG. 2 is a front elevational view thereof; FIG. 3 is a rear elevational view thereof; FIG. 4 is a right side elevational view thereof; FIG. 5 is a left side elevational view thereof; FIG. 6 is a top plan view thereof; and, FIG. 7 is a bottom plan view thereof.

The even spaced broken lines showing portions of a receptacle for holding cooking grease and oil are for the purpose of illustrating environmental structure and form no part of the claimed design.

The dash-dot broken lines in the drawing views define the bounds of the claimed design and form no part thereof.

1 Claim, 6 Drawing Sheets



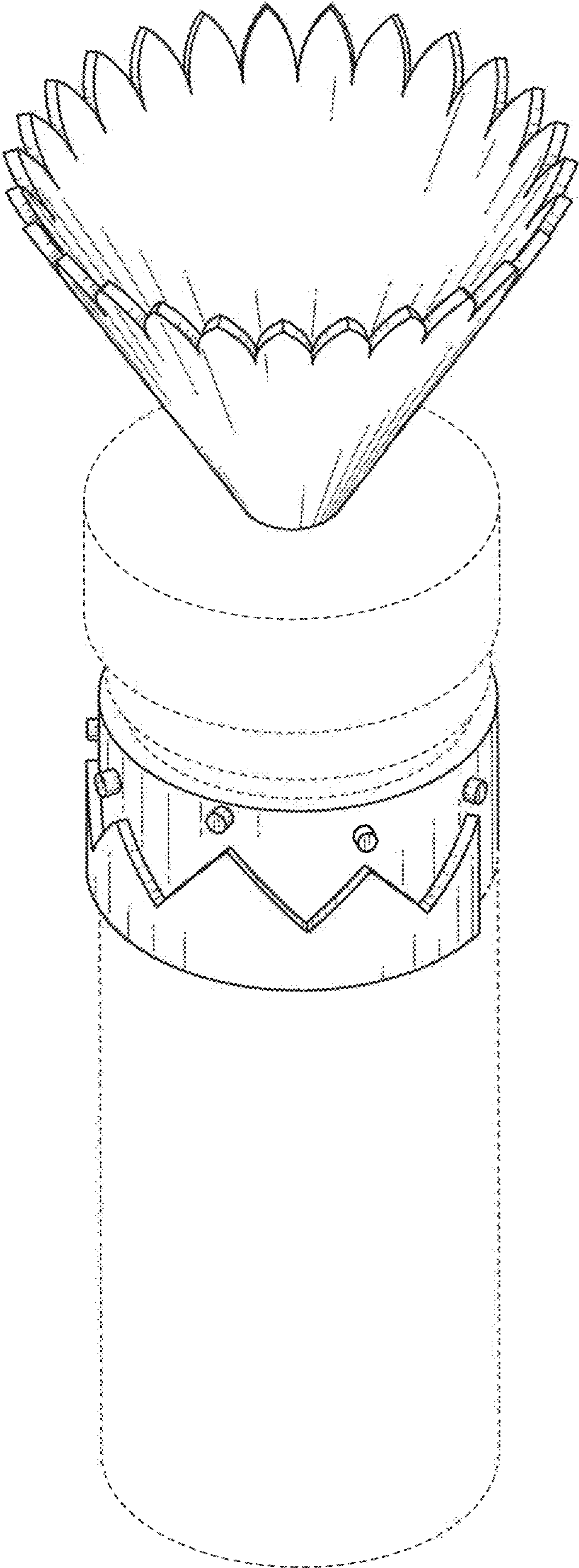


FIG. 1

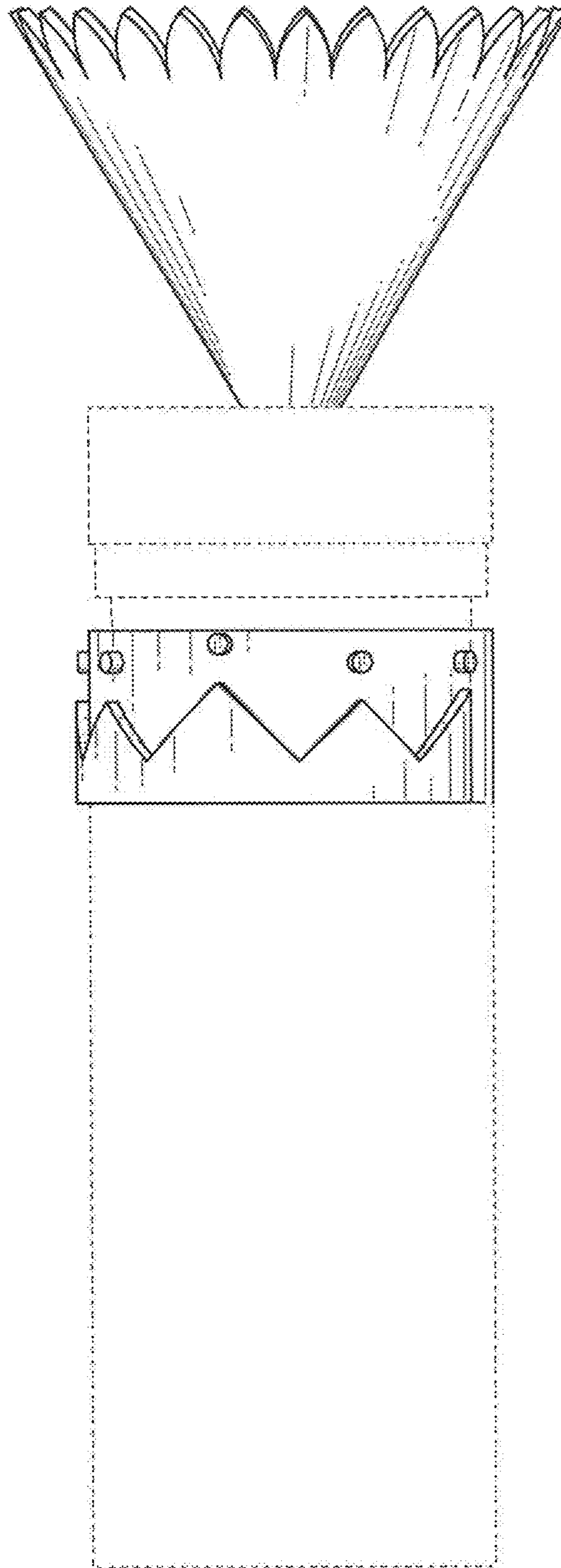


FIG. 2

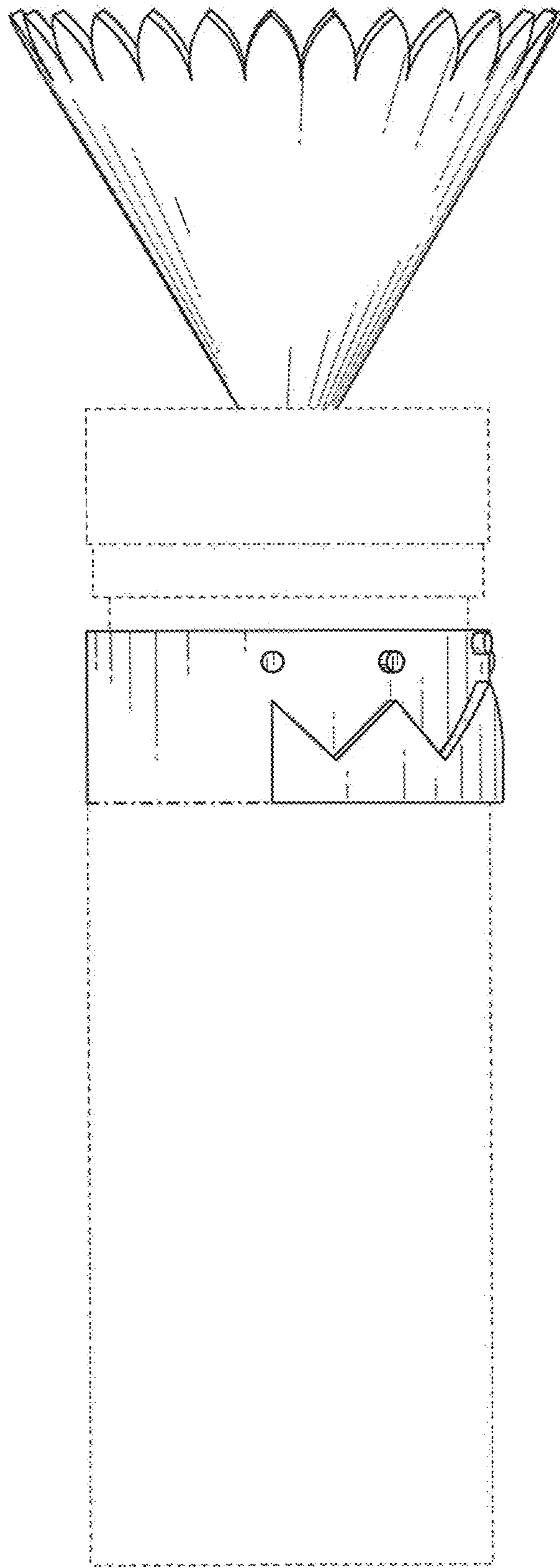


FIG. 3

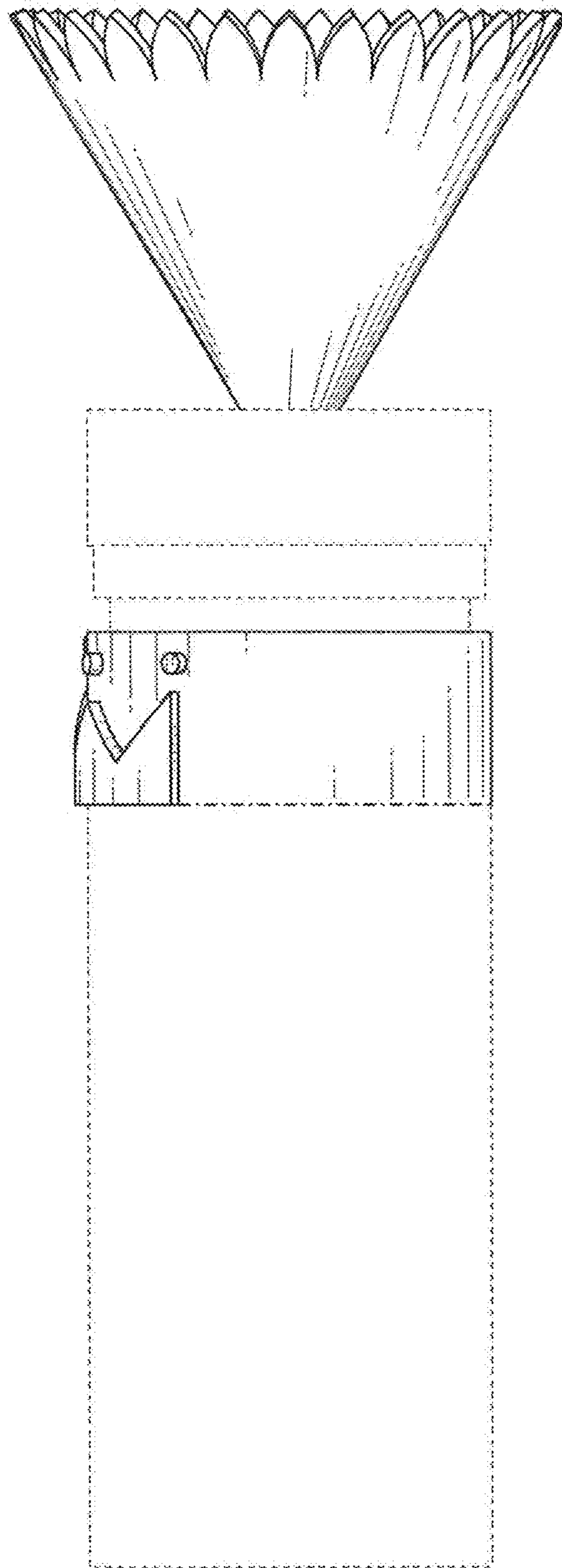


FIG. 4

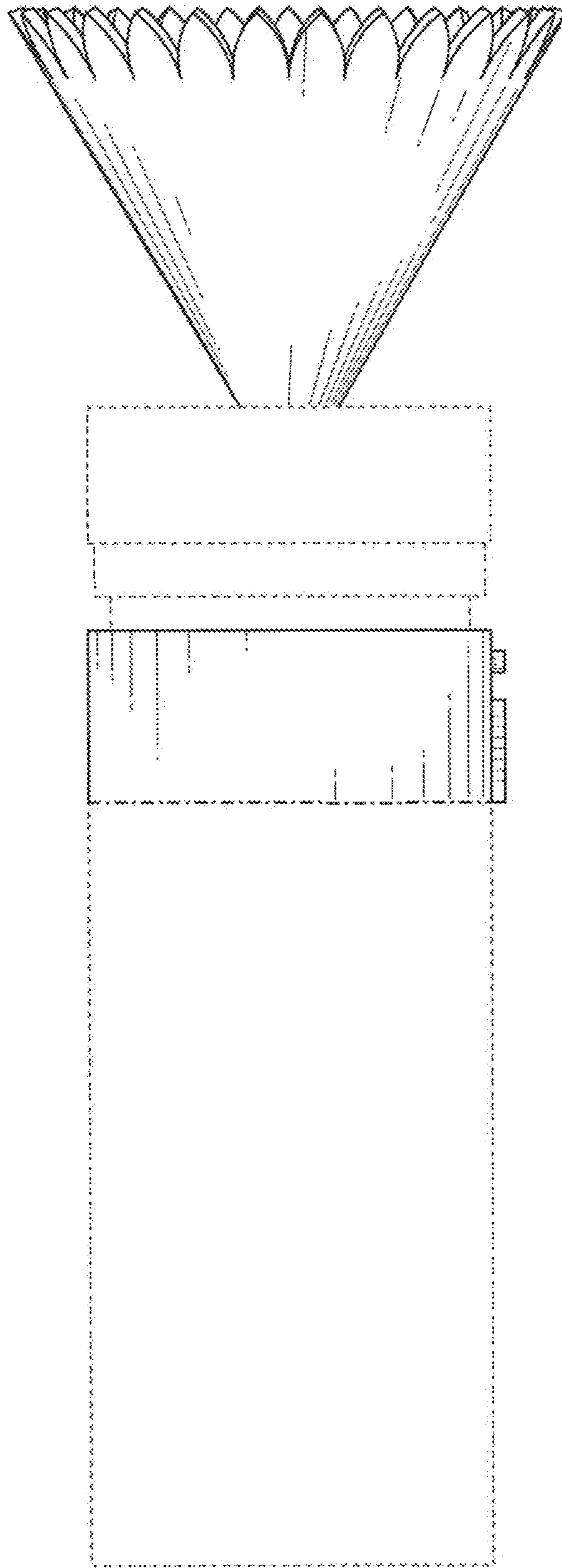


FIG. 5

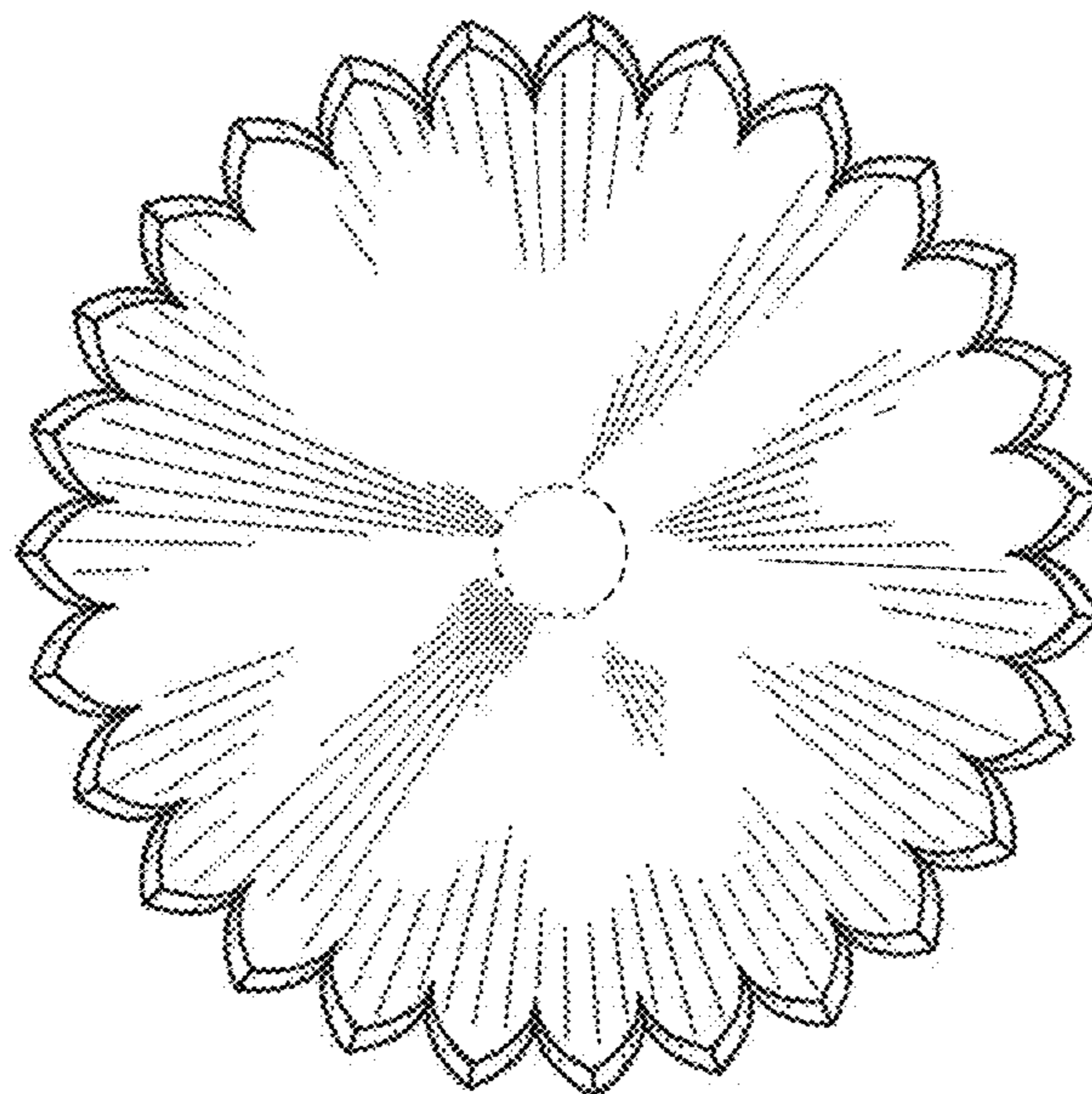


FIG. 6

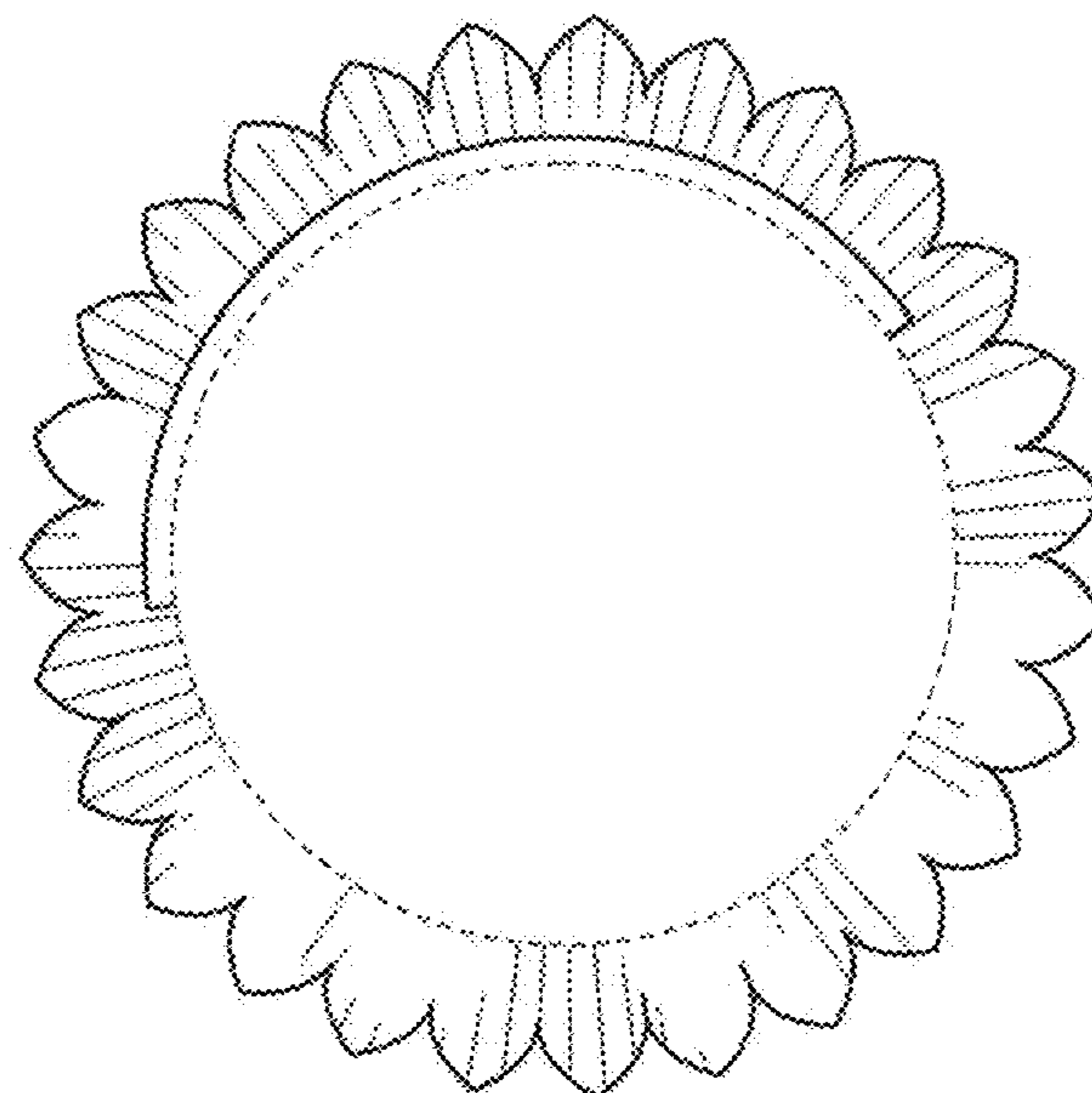


FIG. 7