



US00D882344S

(12) **United States Design Patent**
Lin

(10) **Patent No.:** **US D882,344 S**

(45) **Date of Patent:** **** Apr. 28, 2020**

(54) **BREAD BOX**

(71) Applicant: **You-Sheng Lin**, Los Angeles, CA (US)

(72) Inventor: **You-Sheng Lin**, Los Angeles, CA (US)

(**) Term: **15 Years**

(21) Appl. No.: **29/649,348**

(22) Filed: **May 29, 2018**

(51) **LOC (12) Cl.** **07-07**

(52) **U.S. Cl.**
USPC **D7/609**

(58) **Field of Classification Search**
USPC D7/601, 602, 553.1, 553.2, 553.4, 554.3,
D7/555, 553.5, 584; D9/430, 758, 759,
D9/433, 432, 760, 414, 609; 426/85;
D3/273

CPC A47G 19/02; A47G 19/025; B65D 1/24;
B65D 1/36; A45C 11/20; B42F 9/00

See application file for complete search history.

(56) **References Cited**

U.S. PATENT DOCUMENTS

D479,955 S	*	9/2003	Samartgis	D7/629
D516,384 S	*	3/2006	Neuhaus	D7/609
D547,130 S	*	7/2007	de Groote	D7/609
D600,979 S	*	9/2009	Chen	D7/538

D649,407 S * 11/2011 Neuhaus A47J 47/12
D7/609

D654,788 S * 2/2012 Bougoulas D9/424

D777,530 S * 1/2017 Marret D7/629

D822,442 S * 7/2018 Neuhaus D7/609

* cited by examiner

Primary Examiner — Cynthia R Underwood

(74) *Attorney, Agent, or Firm* — Che-Yang Chen; Law
Office of Michael Chen

(57) **CLAIM**

The ornamental design for a bread box, as shown and
described.

DESCRIPTION

FIG. 1 is a perspective view of the bread box showing my
new design;

FIG. 2 is a front elevational view thereof;

FIG. 3 is a rear elevational view thereof;

FIG. 4 is a left side elevational view thereof;

FIG. 5 is a right side elevational view thereof;

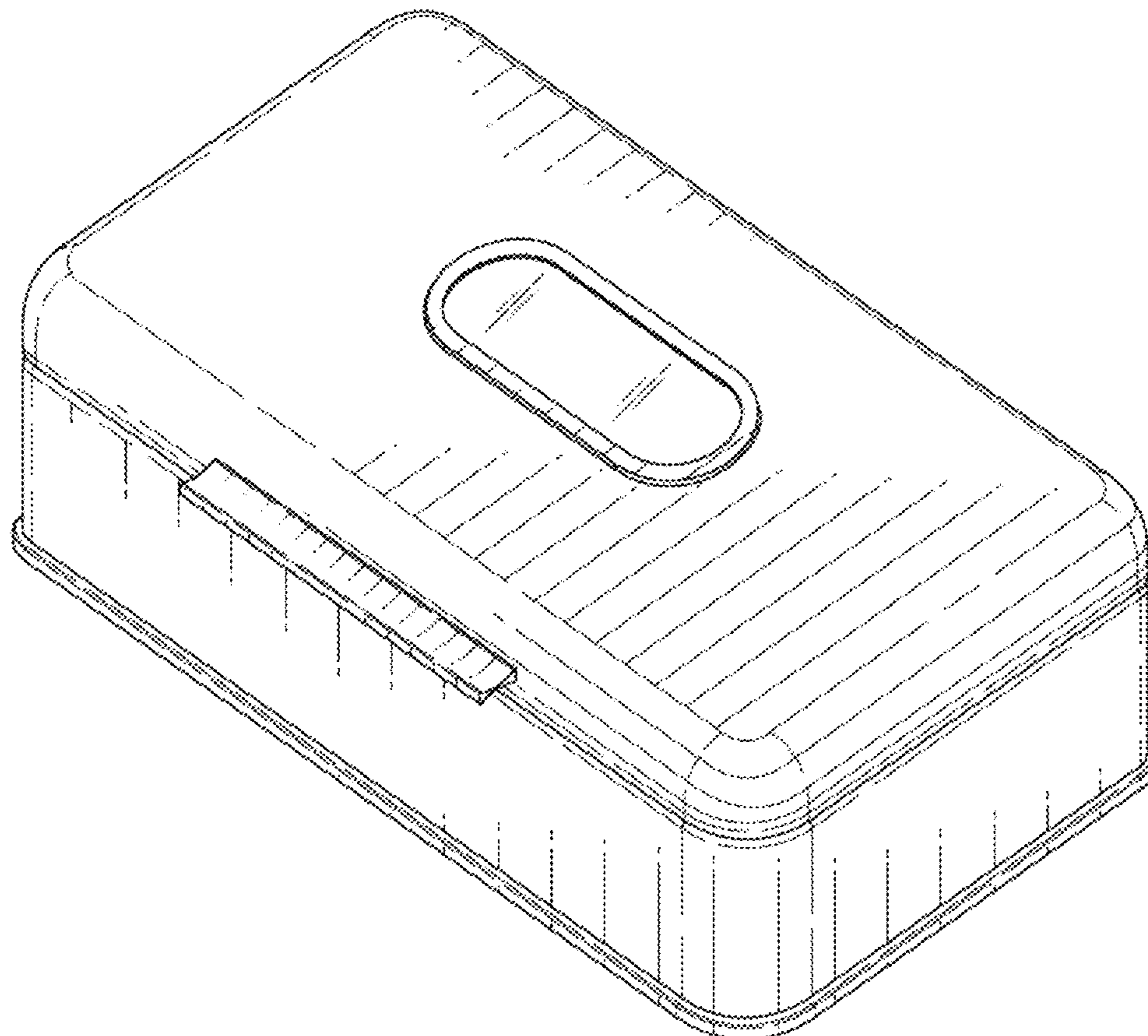
FIG. 6 is a top plan view thereof;

FIG. 7 is a bottom plan view thereof; and,

FIG. 8 is a perspective view of the bread box in the present
invention when the bread box is open.

The broken lines represent unclaimed portions of the bread
box.

1 Claim, 8 Drawing Sheets



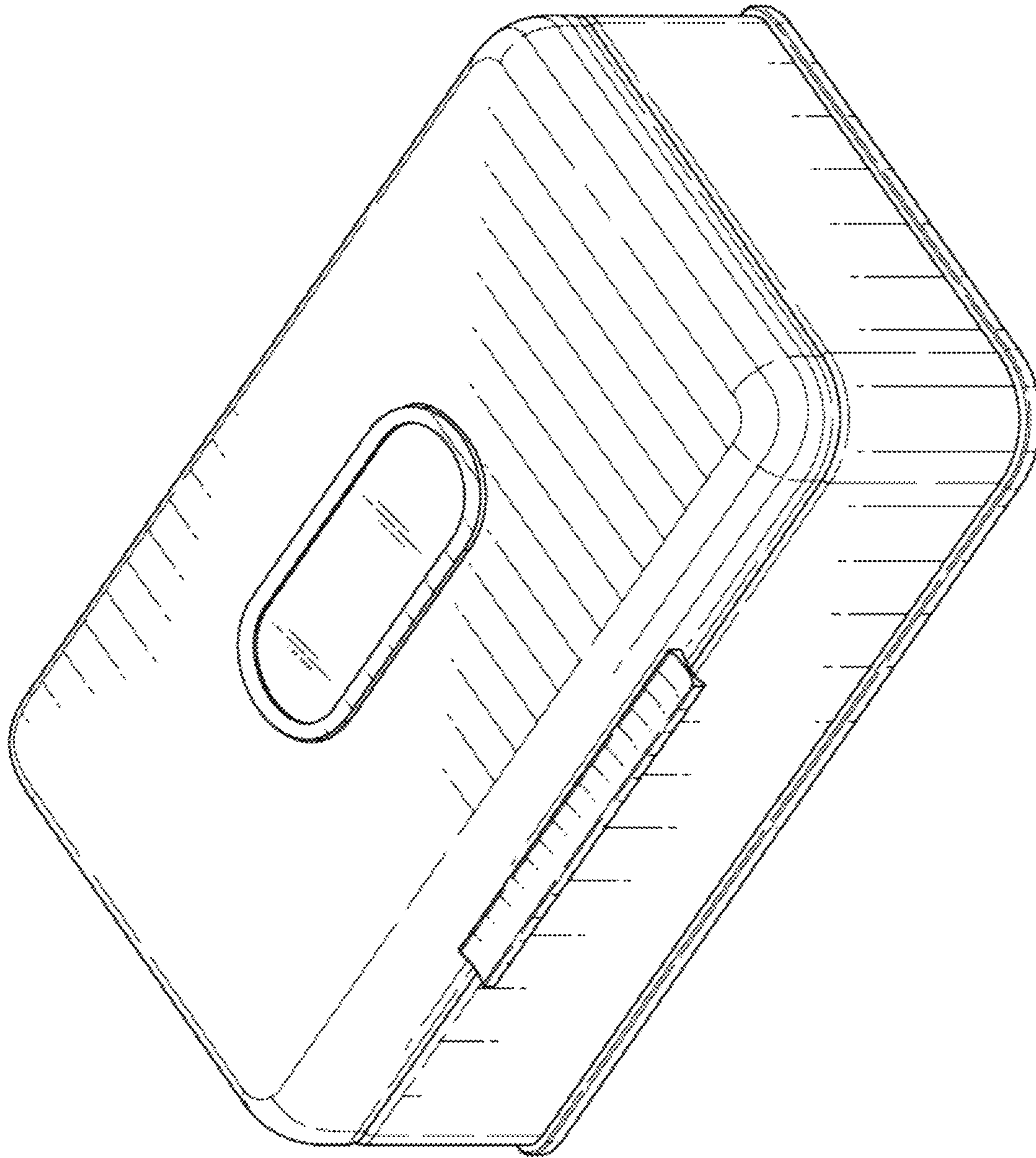


FIG. 1

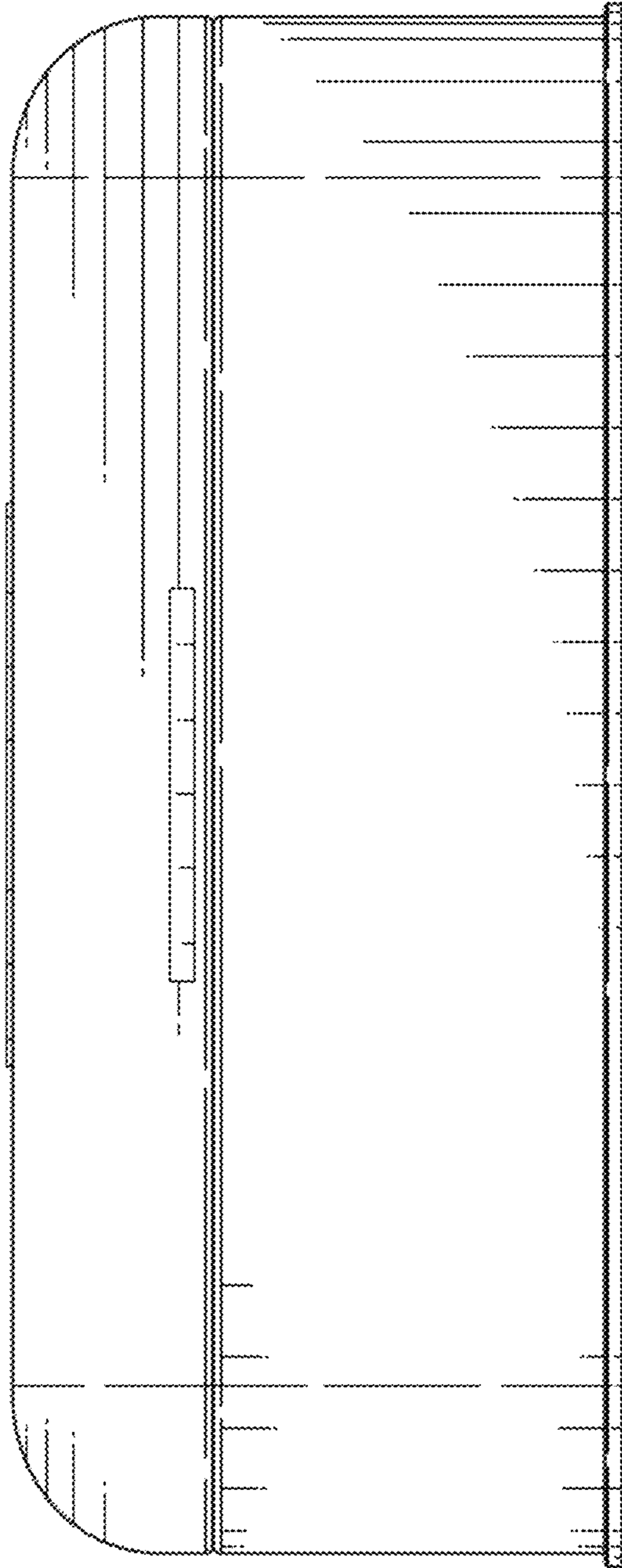


FIG. 2

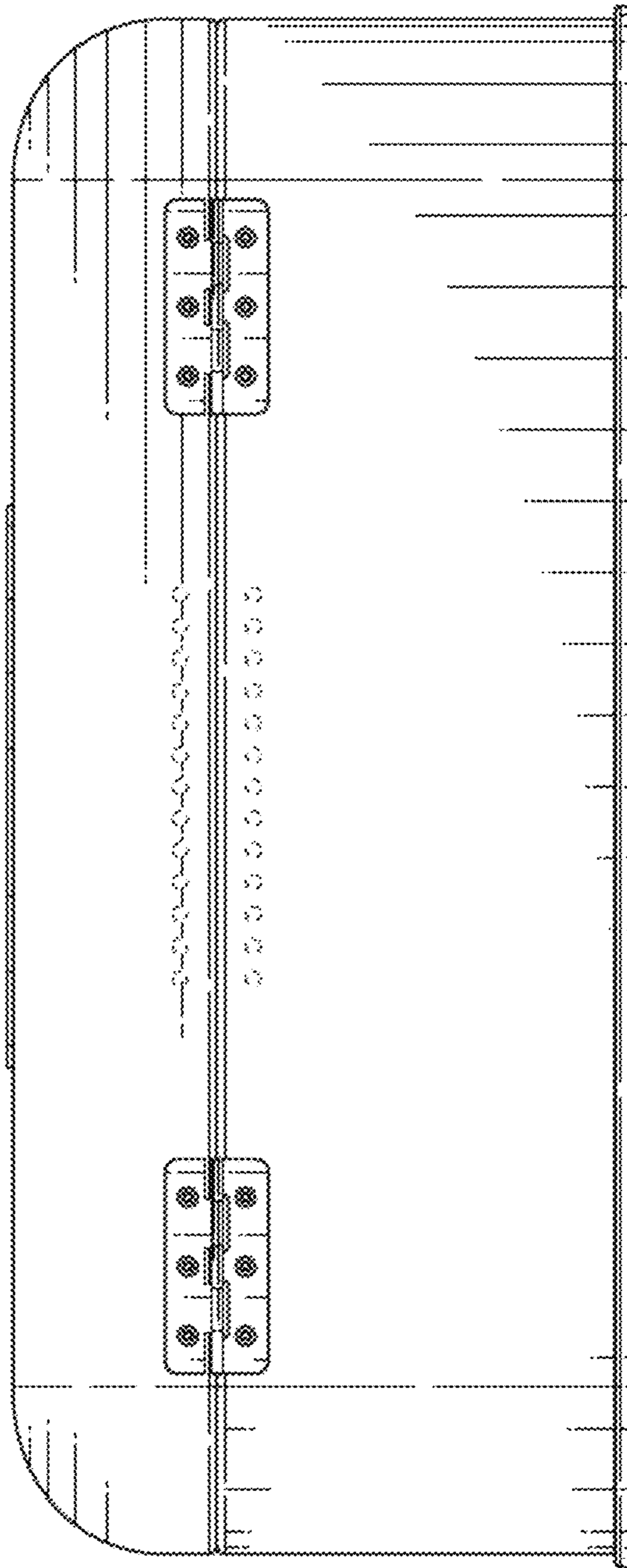


FIG. 3

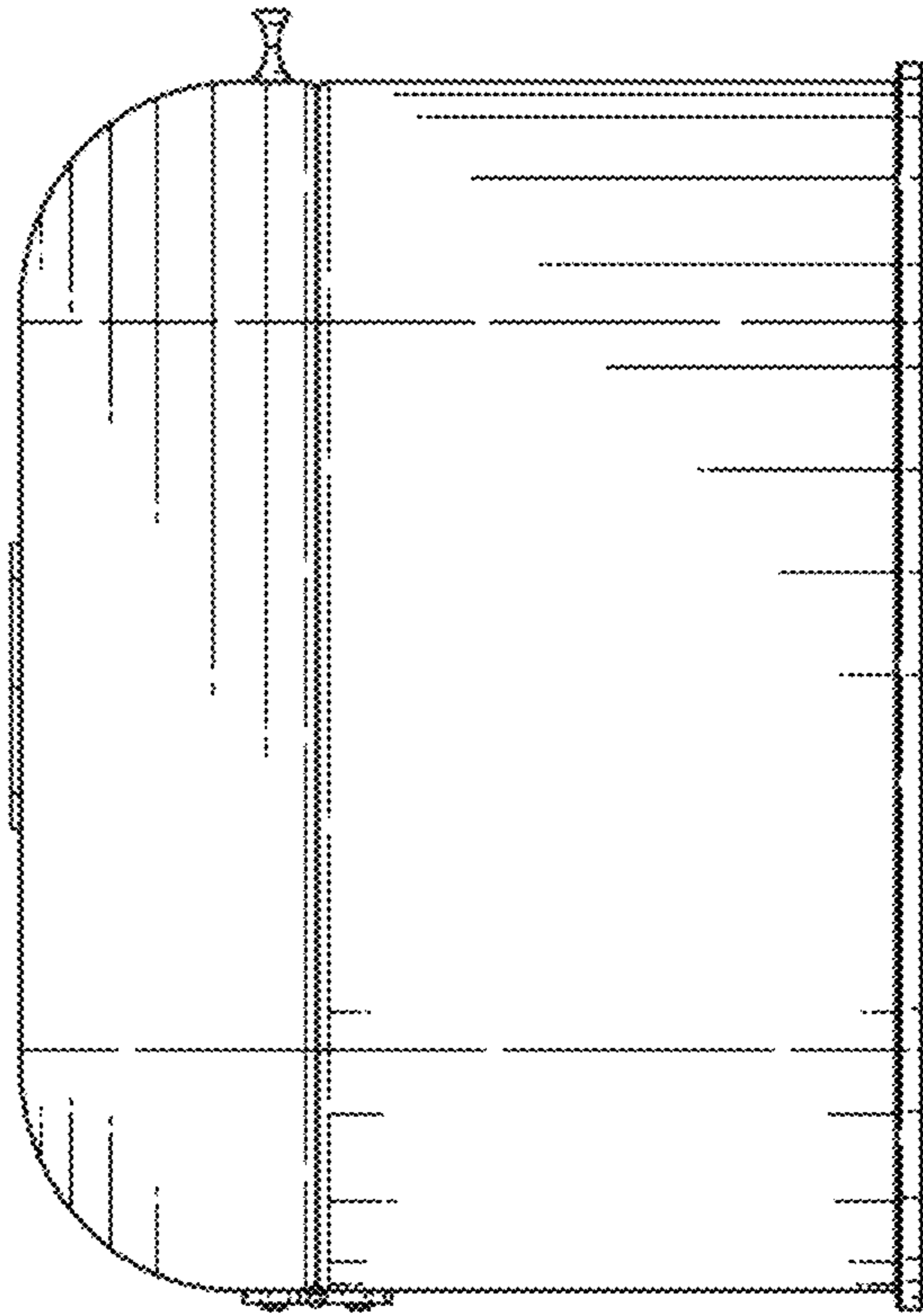


FIG. 4

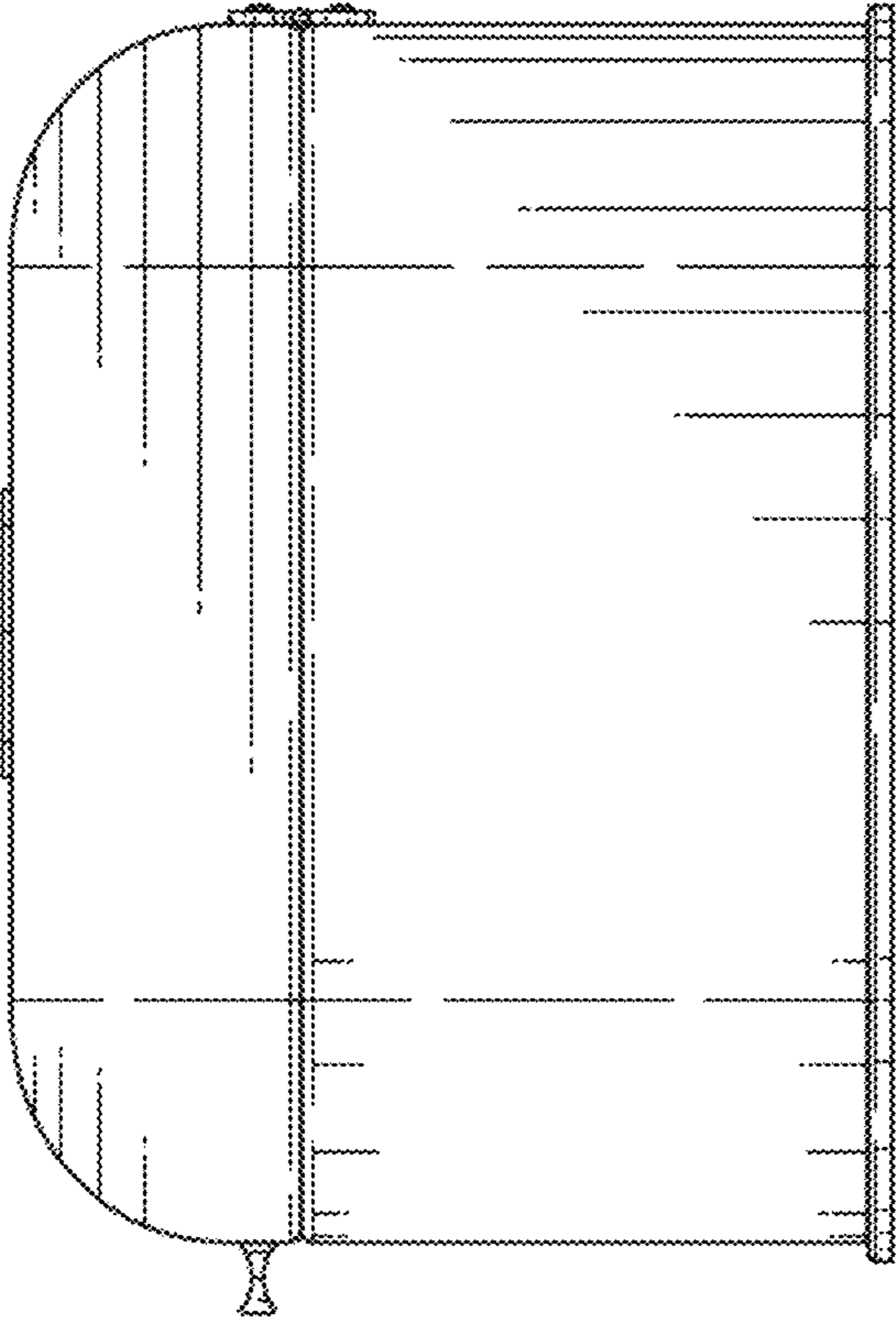


FIG. 5

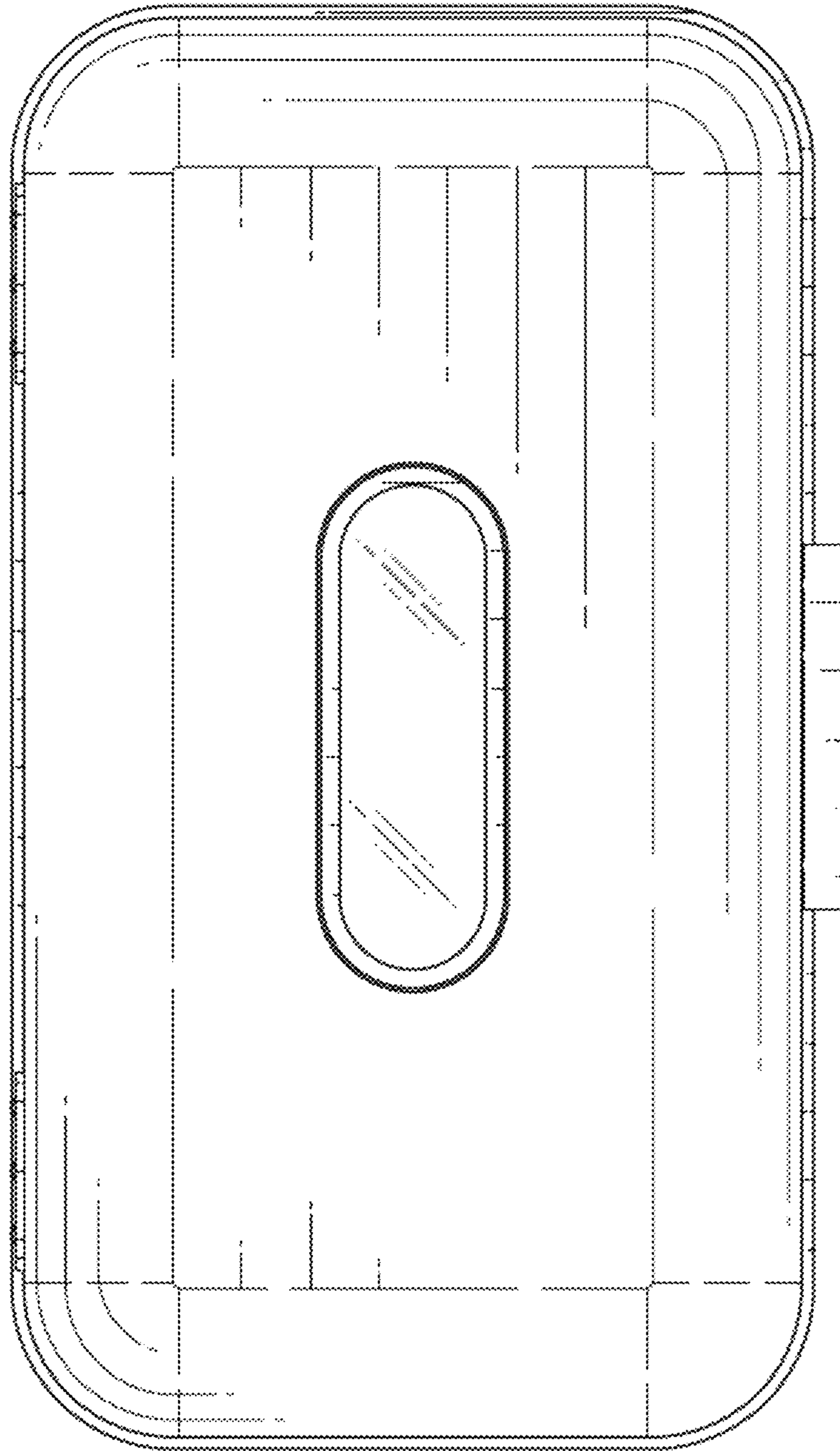


FIG. 6

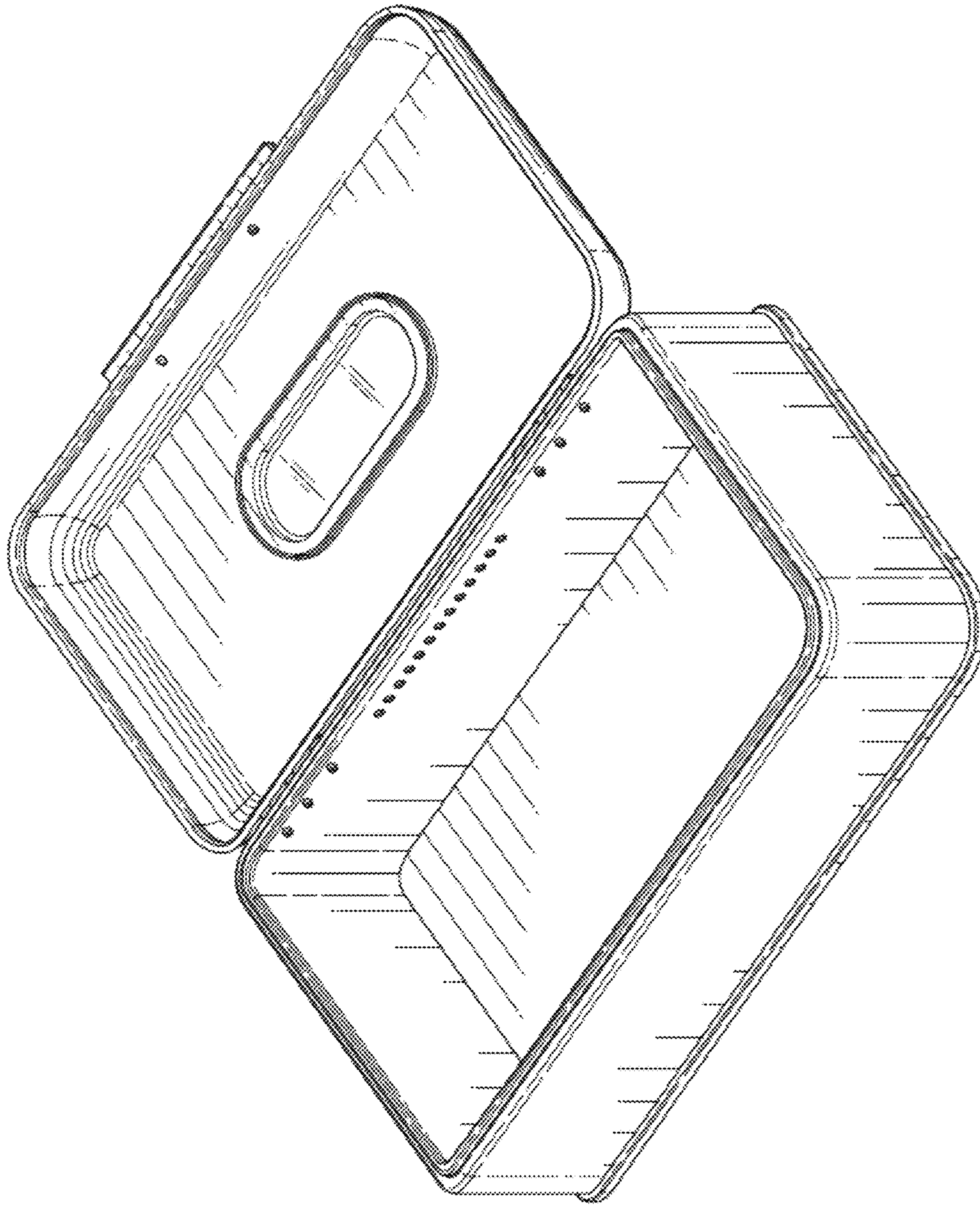


FIG. 7

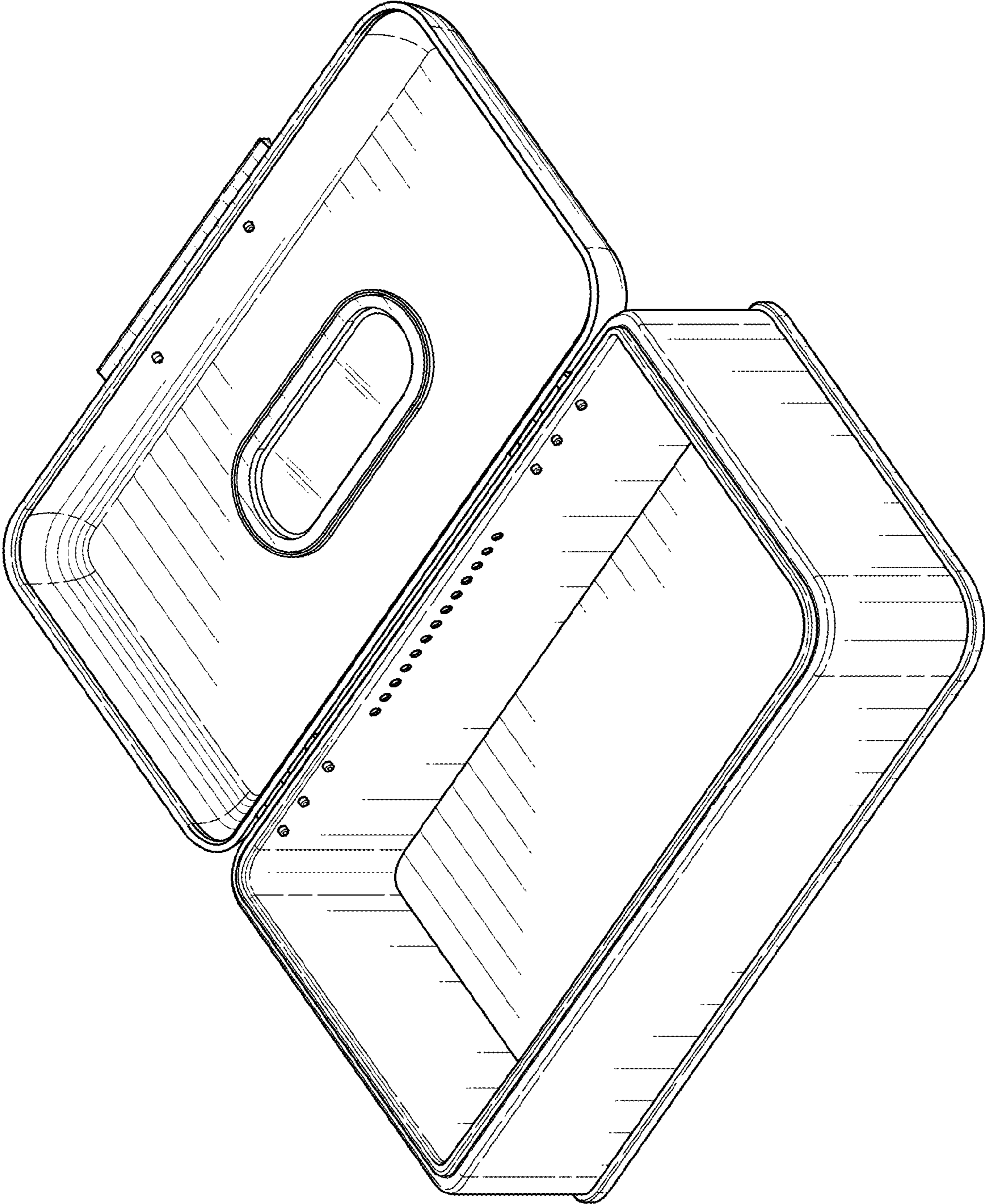


FIG. 8