



US00D882343S

(12) **United States Design Patent**
Rane et al.

(10) **Patent No.:** **US D882,343 S**
(45) **Date of Patent:** **** Apr. 28, 2020**

- (54) **CUP**
- (71) Applicant: **YETI Coolers, LLC**, Austin, TX (US)
- (72) Inventors: **Mark Rane**, Austin, TX (US); **Matt Neeley**, Austin, TX (US)
- (73) Assignee: **YETI Coolers, LLC**, Austin, TX (US)
- (**) Term: **15 Years**
- (21) Appl. No.: **29/597,487**
- (22) Filed: **Mar. 17, 2017**
- (51) **LOC (12) Cl.** **07-01**
- (52) **U.S. Cl.**
USPC **D7/536; D7/533**
- (58) **Field of Classification Search**
USPC D7/507, 509, 510, 511, 523, 529, 531,
D7/532, 533, 535, 536, 508, 392.1, 396.2,
D7/387, 543, 608; D8/33, 34;
220/592.16, 592.17, 295.03, 718, 719,
220/495.03, 62.12, 710.5; D9/517, 567,
D9/554, 555, 558, 503, 504, 552, 540,
D9/454
CPC .. B25B 13/52; B67B 7/00; B67B 7/14; B67B
7/16; A47G 19/22; A47G 19/2227; A45F
3/20
See application file for complete search history.

- 2,070,414 A 2/1937 Snell
- D105,373 S 7/1937 Connor
- 2,088,387 A 7/1937 Rice, Jr. et al.
- 2,128,466 A 8/1938 Machotka
- 2,215,402 A 9/1940 McDonald
- (Continued)

FOREIGN PATENT DOCUMENTS

- CN 2059327 U 7/1990
- CN 3606899 2/2007
- (Continued)

OTHER PUBLICATIONS

https://www.amazon.in/Mayur-Exports-Stainless-Coffee-Silver/dp/B01BGNYHKKI/ref=sr_1_8?ie=UTF8&qid=1544130704&sr=8-8&keywords=Mayur+Exports+Stainless Feb. 2, 2016.*
(Continued)

Primary Examiner — Marianne N Pandozzi
Assistant Examiner — Jae Liang
(74) *Attorney, Agent, or Firm* — Banner & Witcoff, Ltd.

(57) **CLAIM**

The ornamental design for a cup, as shown and described.

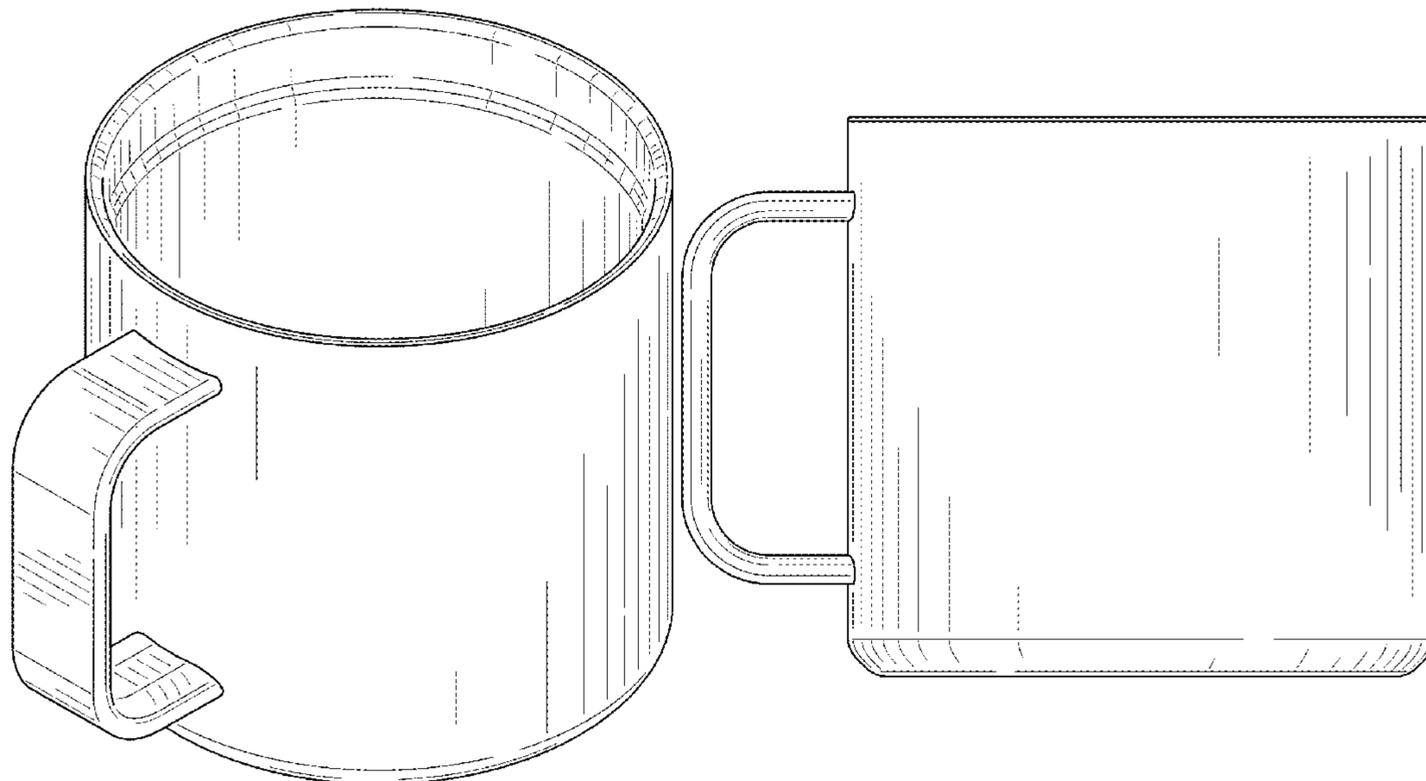
DESCRIPTION

FIG. 1 is a top, left perspective view of a cup showing our new design;
FIG. 2 is a front view thereof;
FIG. 3 is a rear view thereof;
FIG. 4 is a right view thereof;
FIG. 5 is a left side view thereof;
FIG. 6 is a top view thereof;
FIG. 7 is a bottom view thereof; and,
FIG. 8 is a cross-sectional view along the line 8-8 in FIG. 6.
The broken lines showing the remainder of the cup represent unclaimed subject matter and form no part of the claimed design.

1 Claim, 5 Drawing Sheets

(56) **References Cited**
U.S. PATENT DOCUMENTS

- D2,440 S 9/1866 Matthews, Jr.
- 604,514 A 5/1898 Belden
- 899,290 A 9/1908 Bricker et al.
- 1,133,420 A 3/1915 Young
- D47,798 S 9/1915 Pick
- 1,191,319 A * 7/1916 Kline F25D 3/08
220/592.16
- 2,029,429 A 2/1936 Koons



(56)

References Cited

U.S. PATENT DOCUMENTS

- 2,215,691 A * 9/1940 East A45D 27/16
215/DIG. 8
- 2,378,867 A 6/1945 Reichart
- 2,414,697 A * 1/1947 Pettersson A47G 19/2272
220/713
- 2,484,608 A 10/1949 Cheyney
- 2,675,954 A * 4/1954 Vogel B65D 3/06
220/592.17
- D177,559 S 5/1956 Emmert
- 2,871,051 A 1/1959 Nessler et al.
- D186,555 S 11/1959 Hunt
- 2,928,570 A 3/1960 Fitch
- 2,981,562 A 4/1961 Long
- 3,128,029 A 4/1964 Price
- 3,202,309 A 8/1965 Simpson
- 3,206,210 A 9/1965 Bard
- 3,261,633 A 7/1966 Sakuta
- 3,342,370 A 9/1967 Johnson
- D209,308 S 11/1967 Schilling
- 3,353,729 A 11/1967 Hull
- D209,533 S 12/1967 Cole
- D211,818 S 7/1968 Massey
- 3,458,164 A 7/1969 Massey
- 3,463,140 A * 8/1969 Rollor, Jr. A47G 19/2288
126/246
- D217,781 S 6/1970 Stone
- 3,571,940 A 3/1971 Bender
- 3,578,524 A 5/1971 Ignell
- 3,603,106 A 9/1971 Ryan et al.
- 3,679,253 A 7/1972 Simms
- 3,682,352 A 8/1972 Doucette
- 3,730,383 A 5/1973 Dunn et al.
- D227,532 S * 7/1973 Refsgaard D7/536
- 3,755,030 A 8/1973 Doman et al.
- D229,006 S 11/1973 Sauey
- D231,068 S * 4/1974 Douglas 220/592.17
- 3,827,925 A * 8/1974 Douglas A47J 41/0077
156/73.1
- 3,979,011 A 9/1976 Schleicher
- 3,995,445 A 12/1976 Huskins
- 4,027,779 A * 6/1977 De Long A47G 19/22
206/501
- D246,029 S 10/1977 Lynn et al.
- 4,055,273 A * 10/1977 Jones A47G 19/2261
215/372
- D247,541 S * 3/1978 Barger 220/717
- 4,120,073 A 10/1978 Studebaker
- 4,127,915 A 12/1978 Logan et al.
- 4,136,799 A 1/1979 Albert
- D250,986 S * 2/1979 Thrush D7/530
- D251,175 S 2/1979 Logan et al.
- 4,151,923 A 5/1979 Bernardi et al.
- 4,163,374 A 8/1979 Moore et al.
- 4,183,226 A 1/1980 Moore
- D254,417 S 3/1980 DeMars et al.
- D256,418 S 8/1980 Corbett
- D257,524 S * 11/1980 Heinrich D7/536
- 4,253,630 A 3/1981 Rigg
- D258,795 S 4/1981 Zamorski
- 4,261,501 A * 4/1981 Watkins B65D 81/3876
220/592.17
- D263,581 S 3/1982 Kaye
- D265,159 S 6/1982 La Barbera
- D265,279 S 7/1982 Wright
- D265,880 S 8/1982 Craig
- 4,344,303 A 8/1982 Kelly, Jr.
- D266,391 S 10/1982 Jordon
- D269,147 S * 5/1983 Trombly D7/536
- 4,452,374 A 6/1984 Hitchcock et al.
- 4,452,375 A 6/1984 Marcus
- 4,456,134 A 6/1984 Cooper
- D277,921 S 3/1985 Otto
- 4,540,611 A 9/1985 Henderson
- D285,032 S 8/1986 Alonzo
- D285,637 S 9/1986 Zieff et al.
- D286,604 S 11/1986 Bierlein et al.
- D286,967 S 12/1986 Appel
- D288,766 S 3/1987 Tardif
- 4,654,274 A 3/1987 DeMars
- D289,143 S 4/1987 Guillaume
- D289,484 S 4/1987 Forquer et al.
- 4,715,633 A 12/1987 Brink et al.
- 4,720,023 A 1/1988 Jeff
- 4,746,028 A * 5/1988 Bagg A47J 45/078
215/12.2
- D298,200 S 10/1988 Block et al.
- 4,798,063 A 1/1989 Rimmer
- D299,688 S 2/1989 Chung
- D300,495 S 4/1989 Minuti
- D301,821 S 6/1989 Bartolo
- 4,848,625 A 7/1989 Lucia
- D307,089 S 4/1990 Lage
- D309,545 S * 7/1990 Ancona D7/300
- 4,993,675 A 2/1991 Walker
- D318,428 S 7/1991 Kowk
- 5,029,720 A * 7/1991 Bridges A47G 23/0225
220/737
- D319,755 S * 9/1991 Guy D7/315
- D322,753 S 12/1991 Sussman
- D324,281 S 2/1992 Brussing
- D324,976 S 3/1992 Katz
- D327,093 S 6/1992 Evenson
- 5,168,140 A * 12/1992 Welker A47J 36/027
219/689
- D334,869 S 4/1993 Mills
- D337,029 S 7/1993 McKechnie
- 5,249,703 A * 10/1993 Karp A47G 19/2272
220/293
- D345,676 S 4/1994 Biffle
- D346,092 S * 4/1994 Van De Velde D7/533
- D351,314 S * 10/1994 Sokolski D7/511
- D352,201 S * 11/1994 Spence, Jr. D24/197
- D352,210 S 11/1994 Cousins et al.
- 5,390,804 A 2/1995 Beggins
- 5,398,842 A 3/1995 Sokolski et al.
- 5,400,907 A 3/1995 Chen
- D357,387 S 4/1995 Davidson et al.
- D358,531 S * 5/1995 Cousins D7/612
- 5,427,269 A 6/1995 Willbrandt
- 5,433,337 A 7/1995 Willbrandt
- 5,433,339 A * 7/1995 Sarver A45F 3/04
220/756
- D363,642 S 10/1995 Goto et al.
- 5,467,891 A 11/1995 Perry
- D366,186 S * 1/1996 Kato D7/511
- D368,830 S * 4/1996 Lu D7/533
- 5,508,498 A * 4/1996 Rheinisch A47G 21/02
219/730
- D370,300 S 5/1996 Gottvald et al.
- 5,531,353 A * 7/1996 Ward A47G 19/2227
220/23.86
- D372,839 S 8/1996 Laib
- D373,290 S 9/1996 Bailin
- D375,870 S 11/1996 Stonehouse
- 5,573,141 A * 11/1996 Chen A47G 19/2288
220/592.17
- D377,741 S 2/1997 Bennett et al.
- D379,738 S 6/1997 Liming et al.
- D379,740 S 6/1997 Miller
- D382,174 S 8/1997 Grimm
- 5,655,805 A 8/1997 Shaddy
- D384,246 S 9/1997 McKnight
- D384,557 S 10/1997 Goza
- D386,948 S 12/1997 Wissinger
- D395,200 S * 6/1998 Bidwell D7/509
- D395,238 S 6/1998 Freitas
- 5,769,262 A * 6/1998 Yamada A47J 41/0077
220/592.17
- D395,825 S 7/1998 Freitas
- D396,381 S 7/1998 Chung
- D396,605 S 8/1998 Benson
- 5,788,298 A 8/1998 Cheng

(56)

References Cited

U.S. PATENT DOCUMENTS

5,799,369	A	9/1998	Schulein				
5,816,631	A	10/1998	Kochan				
5,839,599	A *	11/1998	Lin	A47G 19/2227			
					220/62.12		
D401,808	S	12/1998	Grivsky				
D402,766	S	12/1998	Smith et al.				
5,848,722	A	12/1998	Hanes				
D404,241	S *	1/1999	Bagley		D7/513		
D404,974	S	2/1999	Kristinik				
D405,609	S	2/1999	Fu et al.				
5,868,310	A	2/1999	Leszczynski				
D408,689	S	4/1999	Kato				
D409,445	S	5/1999	Lage et al.				
D412,806	S	8/1999	Pierce				
5,948,728	A *	9/1999	Patton	B41M 1/34			
					156/235		
5,964,102	A *	10/1999	Tsai	A47G 19/2288			
					252/73		
D416,444	S *	11/1999	Jørgensen		D7/533		
D416,757	S	11/1999	Ginuntoli				
D417,589	S	12/1999	Parker				
D417,590	S	12/1999	Kato				
D417,593	S	12/1999	Ruegg				
D417,819	S	12/1999	Kelly-Pollet				
6,050,443	A	4/2000	Tung				
6,065,609	A *	5/2000	Lake	A47J 31/02			
					206/0.5		
6,065,632	A *	5/2000	Moore, Jr.	A45F 3/16			
					206/818		
6,085,931	A	7/2000	Sadow				
D429,607	S	8/2000	Prim				
6,094,935	A	8/2000	Stein				
6,102,458	A	8/2000	Scace				
6,135,312	A	10/2000	Chen et al.				
D433,599	S	11/2000	Kristiansen et al.				
D433,876	S	11/2000	Freed				
6,149,028	A	11/2000	Yu				
6,161,720	A *	12/2000	Castle	A47G 19/2288			
					220/501		
D436,295	S	1/2001	Furman et al.				
D436,804	S	1/2001	Wolfe				
D437,187	S	2/2001	Cheng				
6,216,909	B1	4/2001	Lin				
D442,833	S	5/2001	Shuman				
6,237,801	B1	5/2001	Liu				
6,241,415	B1	6/2001	Stark				
6,260,732	B1	7/2001	Khodush				
D446,687	S	8/2001	Furman et al.				
D447,005	S	8/2001	Trombly				
6,332,557	B1	12/2001	Moran				
6,352,168	B1 *	3/2002	Lin	A47G 19/2227			
					220/23.88		
6,352,235	B2	3/2002	Cizek				
6,360,913	B1	3/2002	Bruinsma et al.				
D455,047	S *	4/2002	Wolfe		D7/514		
D455,048	S *	4/2002	Marck		D7/514		
D455,052	S	4/2002	Gullickson et al.				
D455,610	S	4/2002	Bridges				
D455,612	S	4/2002	Gullickson et al.				
D455,613	S	4/2002	Bruinsma et al.				
D455,933	S *	4/2002	Marck		D7/514		
D456,578	S	4/2002	Smith et al.				
6,371,328	B1 *	4/2002	Yamada	A47J 41/0077			
					215/12.1		
D457,036	S *	5/2002	Manuel		D7/533		
D457,245	S	5/2002	Royal et al.				
D457,389	S	5/2002	Snell				
6,392,206	B1	5/2002	Von Arx et al.				
D458,081	S	6/2002	Bodum				
6,398,065	B1	6/2002	Lewis				
6,409,038	B1	6/2002	Karp				
D460,895	S	7/2002	Lin				
D462,879	S	9/2002	Martens				
6,450,363	B1	9/2002	Lin				
D463,715	S	10/2002	Dretzka				
D465,132	S *	11/2002	Janky			D7/510	
D466,371	S	12/2002	Parker				
D466,814	S	12/2002	Hurlburt				
D470,724	S	2/2003	Basara				
D471,064	S	3/2003	Renz				
D471,763	S	3/2003	Hurlbut et al.				
D472,101	S	3/2003	Janky				
D473,105	S *	4/2003	Ayers			D7/536	
D474,651	S	5/2003	Ward				
6,557,751	B2	5/2003	Puerini				
D476,193	S	6/2003	Janky				
D476,528	S	7/2003	Janky et al.				
D477,185	S	7/2003	Janky				
6,588,064	B2	7/2003	Baum				
6,626,326	B2	9/2003	Murakami				
D483,165	S	12/2003	Dretzka				
D483,610	S	12/2003	Kerman				
D483,995	S	12/2003	Otake				
D484,361	S	12/2003	Jeung				
6,658,701	B1	12/2003	DeHart et al.				
6,685,047	B1	2/2004	Mott et al.				
D488,673	S	4/2004	Farce				
D489,574	S	5/2004	Copeland				
D490,274	S	5/2004	Irvine				
6,729,665	B1	5/2004	Posey et al.				
D493,068	S	7/2004	Slater et al.				
D497,079	S *	10/2004	Paggio			D7/507	
D497,778	S	11/2004	Rich				
D502,052	S	2/2005	Meade				
6,864,462	B2	3/2005	Sanoner et al.				
6,962,265	B1	11/2005	Zhang				
D512,272	S	12/2005	Avrish				
D512,275	S	12/2005	Kent-Fawkes				
6,979,031	B2	12/2005	Coppotelli et al.				
D521,802	S	5/2006	Sands				
D524,607	S	7/2006	Kent-Fawkes				
D527,222	S	8/2006	Liu				
D530,852	S *	10/2006	Zheng			D27/148	
D533,748	S	12/2006	Bresler				
D534,396	S	1/2007	Kramer				
D537,676	S	3/2007	Kingsley				
D537,677	S	3/2007	Bresler				
7,195,137	B2	3/2007	Belcastro				
D540,124	S	4/2007	Ross				
7,207,538	B2	4/2007	Kent-Fawkes				
D548,012	S	8/2007	Tien				
D549,523	S	8/2007	Montes				
D552,932	S *	10/2007	Carlson			D7/509	
D553,440	S	10/2007	Bodum				
D553,910	S *	10/2007	Bodum			D7/509	
7,284,777	B1	10/2007	Kraemer				
D557,564	S *	12/2007	Bodum			D7/509	
D557,567	S	12/2007	Gronikowski et al.				
D561,590	S	2/2008	Kingsley				
D562,072	S	2/2008	Wahl				
D565,900	S *	4/2008	Franco			D7/507	
D565,901	S	4/2008	Edelstein et al.				
D566,471	S	4/2008	Bodum				
D567,590	S *	4/2008	Bodum			D7/533	
D568,685	S	5/2008	Bodum				
D569,183	S	5/2008	Blake				
	H2217	H	Smay et al.				
D572,136	S	7/2008	Boni				
D573,390	S	7/2008	Ablo				
D577,260	S	9/2008	Bodum				
D585,245	S	1/2009	Brouillette				
D586,182	S	2/2009	Trombly				
D587,523	S	3/2009	Moon				
D587,967	S *	3/2009	Wahl			D7/507	
D588,497	S *	3/2009	Claffey			D11/157	
D588,912	S	3/2009	Christensen et al.				
D592,015	S	5/2009	Carpenter				
D592,058	S	5/2009	Rapaport				
7,527,310	B2	5/2009	Shaskey, Sr.				
D593,372	S	6/2009	Carreno				
D593,811	S	6/2009	Carreno				
D593,859	S	6/2009	Barnum				
D594,687	S	6/2009	Bodum				

(56)

References Cited

U.S. PATENT DOCUMENTS

D595,133 S	6/2009	Lewis	
D598,747 S	8/2009	Caldwell	
D600,073 S	9/2009	Carreno	
D600,978 S *	9/2009	Poindexter	D7/533
7,581,704 B1	9/2009	Pugsley	
7,581,770 B2	9/2009	Jones	
7,604,270 B1	10/2009	McCarthy	
D608,133 S	1/2010	Choi	
D609,534 S	2/2010	Traficante et al.	
D610,176 S	2/2010	Nagamine et al.	
7,686,183 B2	3/2010	Ziegler	
D613,554 S	4/2010	Koennecke	
D615,366 S	5/2010	Berezansky	
D615,817 S	5/2010	George	
D616,248 S	5/2010	George	
D617,608 S	6/2010	Yang et al.	
D617,640 S	6/2010	Jones	
D618,964 S	7/2010	Eisenhardt	
D622,548 S	8/2010	Jensen et al.	
D622,554 S	8/2010	Carreno	
D626,414 S	11/2010	Cresswell et al.	
D629,657 S	12/2010	Carreno	
D629,691 S	12/2010	Cresswell et al.	
D631,699 S	2/2011	Moreau	
D635,400 S	4/2011	Snyder	
D635,401 S *	4/2011	DelVecchio	D7/530
D636,640 S	4/2011	Latham	
D639,608 S *	6/2011	Tohm, Sr.	D7/536
D641,591 S	7/2011	Tsukida	
D643,289 S	8/2011	Harlan	
D648,599 S	11/2011	Watanabe et al.	
D649,836 S	12/2011	Dooley et al.	
D650,232 S	12/2011	Gilbert	
D652,256 S	1/2012	Eyal	
D653,082 S	1/2012	George	
D655,134 S	3/2012	Gilbert	
D656,361 S	3/2012	Gilbert	
D658,922 S	5/2012	Fallon et al.	
D659,474 S	5/2012	Wahl et al.	
D660,082 S	5/2012	Wahl	
D660,084 S	5/2012	Gilbert	
D660,655 S	5/2012	Wahl et al.	
D663,169 S	7/2012	Beggins et al.	
D664,001 S	7/2012	Liu	
8,225,957 B1	7/2012	Volan	
D665,491 S	8/2012	Goel et al.	
D666,061 S	8/2012	Ying	
8,251,247 B1	8/2012	Breckner	
D669,735 S	10/2012	Wong	
D670,525 S	11/2012	Fallon et al.	
D675,063 S	1/2013	Wahl	
D675,066 S	1/2013	Conlin et al.	
D675,100 S	1/2013	Herbst	
8,364,542 B2	1/2013	Grauel et al.	
D679,949 S	4/2013	Meritt	
D679,960 S	4/2013	Hopkins et al.	
D680,375 S	4/2013	Pousard et al.	
D680,378 S *	4/2013	Romley	D7/532
D680,387 S	4/2013	Hopkins et al.	
D682,625 S	5/2013	Lane	
D682,626 S	5/2013	Lane	
D684,459 S	6/2013	Stowe et al.	
D684,819 S *	6/2013	Smith	D7/514
D685,231 S	7/2013	Lane	
8,499,951 B1	8/2013	McDonald et al.	
D693,176 S	11/2013	Kaiser	
D693,649 S	11/2013	Yeung	
D694,112 S	11/2013	Brown	
D695,138 S	12/2013	Ball	
8,608,019 B2	12/2013	Wren	
D698,200 S	1/2014	Lauwagie	
8,684,430 B1	4/2014	Brandon	
D705,012 S	5/2014	Lapsker	
D709,737 S	7/2014	Weinert et al.	
D709,738 S	7/2014	Weinert et al.	
D710,155 S	8/2014	Tatsukawa	
D711,684 S	8/2014	Perdomo	
D712,701 S	9/2014	Boroski	
D713,686 S	9/2014	Eyal	
D715,101 S	10/2014	Grcic	
D717,605 S	11/2014	Kristinik	
D717,606 S	11/2014	Kristinik	
D719,785 S *	12/2014	Grcic	D7/536
D719,788 S	12/2014	Soltz et al.	
D720,187 S	12/2014	Romley	
8,899,644 B2	12/2014	Hancey	
8,919,603 B2	12/2014	Greene	
D721,250 S	1/2015	Chen et al.	
D721,546 S	1/2015	Davidson	
D722,830 S *	2/2015	Miller	D7/514
D724,385 S	3/2015	Hurley et al.	
D727,688 S	4/2015	Hewitt et al.	
D728,311 S	5/2015	Eyal	
D728,314 S	5/2015	Carstensen et al.	
D729,581 S	5/2015	Boroski	
9,021,662 B1	5/2015	Jones	
9,038,850 B1	5/2015	Wilson	
D730,696 S	6/2015	Nemeth et al.	
D731,251 S	6/2015	Lane	
D732,338 S	6/2015	Boroski	
D732,343 S	6/2015	Romley	
D732,347 S	6/2015	Katterheinrich et al.	
D734,096 S	7/2015	George et al.	
D740,073 S	10/2015	Zorovich et al.	
D740,077 S	10/2015	Strepkoff	
D740,618 S	10/2015	Knoll	
D743,207 S	11/2015	Pendleton et al.	
D747,626 S *	1/2016	Morris, II	D7/533
D747,929 S	1/2016	Arseneau et al.	
D752,397 S	3/2016	Seiders et al.	
D754,536 S	4/2016	Arriaga	
D764,870 S	8/2016	Choi	
D766,661 S	9/2016	Bodum	
D772,012 S *	11/2016	Wampold	D7/507
D773,250 S *	12/2016	Miller	D7/523
D776,980 S	1/2017	Thun et al.	
D779,285 S	2/2017	Seiders et al.	
D779,891 S	2/2017	Seiders et al.	
D779,892 S	2/2017	Seiders et al.	
D780,527 S	3/2017	Salaam	
D780,530 S	3/2017	Seiders et al.	
D780,531 S	3/2017	Seiders et al.	
D780,532 S	3/2017	Seiders et al.	
D780,533 S	3/2017	Seiders et al.	
D780,538 S	4/2017	Thun et al.	
D784,137 S *	4/2017	Cates	D9/500
D786,023 S	5/2017	Polack et al.	
D786,025 S	5/2017	Seiders et al.	
D787,893 S	5/2017	Seiders et al.	
D793,172 S	8/2017	Medina	
9,750,359 B2 *	9/2017	Kah, Jr.	B65D 81/3869
D799,906 S	10/2017	Seiders et al.	
D801,753 S	11/2017	Piper et al.	
D803,001 S	11/2017	Bodum	
D804,556 S	12/2017	Harada et al.	
D807,125 S	1/2018	Seiders et al.	
D808,733 S	1/2018	Spivey et al.	
D813,607 S *	3/2018	Nally	D7/536
D814,243 S *	4/2018	Pape	D7/536
D820,046 S	6/2018	Seiders et al.	
D822,440 S *	7/2018	Kuh	D7/536
D827,381 S *	9/2018	Boroski	D7/536
D830,788 S *	10/2018	Petrillo	D7/624.2
D832,050 S *	10/2018	Diener	D7/510
D839,676 S	2/2019	Seiders et al.	
D839,677 S	2/2019	Seiders et al.	
2002/0066758 A1	6/2002	Fadal et al.	
2003/0159245 A1	8/2003	Harman	
2004/0080930 A1	4/2004	Winters et al.	
2004/0149763 A1 *	8/2004	Chen	A47G 7/06 220/703
2004/0187265 A1	9/2004	Ho	
2005/0218109 A1	10/2005	Semersky et al.	
2006/0175506 A1	8/2006	Lan	

(56)

References Cited

U.S. PATENT DOCUMENTS

2007/0295738 A1 12/2007 Hussain
 2008/0012368 A1 1/2008 Kent-Fawkes
 2008/0023434 A1 1/2008 Takayama
 2008/0101056 A1 5/2008 Bhavnani
 2009/0008399 A1 1/2009 Mayled et al.
 2009/0065469 A1 3/2009 McClellan et al.
 2009/0200322 A1 8/2009 Hunter
 2011/0204017 A1 8/2011 O’Sullivan
 2011/0233219 A1 9/2011 Proskey
 2012/0074155 A1 3/2012 Yeung
 2012/0261408 A1 10/2012 White
 2013/0098932 A1 4/2013 Hunt
 2013/0186849 A1 7/2013 Iwashita
 2015/0041480 A1 2/2015 Ramsey
 2015/0108150 A1 4/2015 Garcia
 2015/0108152 A1 4/2015 Franzen et al.
 2015/0122828 A1* 5/2015 Madala A47G 23/0266
 220/592.17
 2015/0164256 A1 6/2015 Helton
 2015/0291316 A1 10/2015 Fietz
 2016/0318692 A1* 11/2016 Wilson B65D 81/3874
 2017/0267408 A1* 9/2017 Martinez A47G 19/2288
 2018/0312322 A1* 11/2018 Canales Kell B65D 1/04

FOREIGN PATENT DOCUMENTS

CN 3681232 8/2007
 CN 300754212 3/2008
 CN 201208219 Y 3/2009
 CN 300959563 7/2009
 CN 300959564 7/2009
 CN 300959565 7/2009
 CN 301026132 9/2009
 CN 301095376 12/2009
 CN 202104668 U 1/2012
 CN 202891397 U 4/2013
 CN 302846604 6/2014
 CN 302892949 7/2014
 CN 303123979 3/2015
 CN 303263048 7/2015
 CN 303517025 12/2015
 CN 304215274 7/2017
 CN 304296007 9/2017
 CN 304405160 12/2017
 CN 304435767 1/2018
 CN 304453288 1/2018
 CN 304512433 2/2018
 CN 304563902 4/2018
 CN 304655117 6/2018
 CN 304721141 7/2018
 CN 304745435 7/2018
 CN 304786699 8/2018
 EM 000564778-0001 8/2006
 EM 001360911-0001 3/2013
 EM 002939926-0001 1/2016
 EM 004374155-0003 9/2017
 EM 004742526-0001 4/2018
 EM 005322914-0001 7/2018
 EM 005322914-0002 7/2018
 GB 3024951 7/2006
 GB 5000865 4/2016
 IN 250749-0001 8/2013
 IN 263049-0001 3/2015
 JP HN08001596 12/1995
 JP 1219538 10/2004
 JP 1288694 12/2006
 JP 1302290 6/2007
 JP 1370441 10/2009
 JP 1483261 11/2013
 JP D1483261 11/2013
 JP D1483263 11/2013
 JP 1546179 S 3/2016
 JP D1546179 3/2016
 JP D2016-4373 11/2017

JP 30-0956050 5/2018
 KR 300840850 2/2016
 KR 300840850.0000 2/2016
 KR 300905323.0000 5/2017
 KR 3009075550001 5/2017
 KR 300924542.0000 9/2017
 KR 300933350.0000 11/2017
 PH 3-2012-31-0001 5/2012
 WO 0162614 A1 8/2001
 WO 2006048119 A1 5/2006
 WO 2011022857 A2 3/2011
 WO 2012064184 A1 5/2012
 WO 2013163725 A1 11/2013
 WO D094255-001 1/2017

OTHER PUBLICATIONS

https://www.amazon.in/Hot-Muggs-Lets-Coffee-Multicolour/dp/B005RU7E2A/ref=sr_1_2?ie=UTF8&qid=1544130658&sr=8-2&keywords=hot+muggs+let%27s+coffee+mug Dec. 20, 2013.*
<https://www.turbosquid.com/3d-models/stainless-steel-thermal-mug-3d-model/1102021> Jan. 20, 2017.*
https://www.amazon.in/Aagam-Palak-Double-Walled-Stainless/dp/B00SOIYFWY/ref=sr_1_1?ie=UTF8&qid=1544133439&sr=8-1&keywords=Aagam+%26+Palak+Double Jan. 24, 2015.*
https://www.amazon.in/Pigeon-Stainless-Steel-Coffee-Cup/dp/B01LXFSDOY/ref=sr_1_sc_1?ie=UTF8&qid=1544133520&sr=8-1-spell&keywords=Buy+Pigeon+Stainless+Steel+Coffee+Cup+Set+of+4 Oct. 4, 2016.*
<https://www.turbosquid.com/3d-models/mug-subdivided-max/692992> Feb. 21, 2018.*
https://www.amazon.in/Mayur-Exports-Stainless-Coffee-Silver/dp/B01BGNYHKKI/ref=sr_1_8?ie=UTF8&qid=1544130704&sr=8-8&keywords=Mayur+Exports+Stainless (Year: 2016).*
 “YETI Press Release—Rambler Lowball”, published on Jul. 15, 2015, retrieved from <<http://yeti.com/press-releases/yeti-coolers-unveils-new-rambler-lowball>> on Mar. 14, 2017.
 “Bekith Kids Water Mugs Stainless Steel Drinking Cups Double Wall Food Grade Durable Safe—Set of 2”, published date unknown but at least as early as Mar. 14, 2017, retrieved from <https://www.amazon.com/Bekith-Stainless-Drinking-Double-Durable/dp/B019JNKG7A/ref=pd_sim_79_5?_encoding=UTF8&psc=1&refRID=ZP054HJK7VYT6T39DSYN> on Mar. 14, 2017.
 “Camp Cup”, published date unknown but at least as early as Mar. 13, 2017, retrieved from <<https://www.miir.com/collections/camp/products/campcup>> on Mar. 13, 2017.
 “Chinook Timberline Double-wall 12.5 Ounces Mug”, published date unknown but at least as early as Mar. 14, 2017, retrieved from <https://www.amazon.com/Chinook-Timberline-Double-wall-12-5-Ounces/dp/B0026ICO8U/ref=pd_sim_79_3?_encoding=UTF8&psc=1&refRID=C586FMMXYCY44F2AZCJB> on Mar. 14, 2017.
 “Double Wall Copper Coffee Mug”, published date unknown but at least as early as Mar. 14, 2017, retrieved from <http://www.williamssonoma.com/products/1614242/?catalogId=27&sku=1614242&cm_ven=Google_PLA&cm_cat=Shopping&cm_pla=default&cm_ite=default&kwid=productads-adid%5E45527543503-device%5Ecpaid%5E83089551703-sku%5E1614242-adType%5EPLA&gclid=CIGFx4v9g9ECFYeEsw> on Mar. 14, 2017.
 “Double Wall Stainless Steel Beer Mug”, published date unknown but at least as early as Mar. 14, 2017, retrieved from <<https://www.vat19.com/item/stainless-steel-beer-mug>> on Mar. 14, 2017.
 “Woodcraft 15oz Shop Mug Insulated Stainless Steel”, published date unknown but at least as early as Mar. 14, 2017, retrieved from <https://www.amazon.com/Woodcraft-15oz-Insulated-Stainless-Steel/dp/B004TQGH0S/ref=pd_sim_79_3?_encoding=UTF8&psc=1&refRID=EYMWNJTKACXEY8YGJMJ> on Mar. 14, 2017.
 “Hooler the handheld cooler”, published on Apr. 12, 2014, retrieved from <https://web.archive.org/web/20140412062054/http://www.hoolercooler.com/> on Aug. 4, 2015.
 United States District Court Western District of Texas Austin Division, “Complaint for Damages and Injunctive Relief,” *YETI*

(56)

References Cited

OTHER PUBLICATIONS

Coolers, LLC v. Jennifer Leverage Bootz Evans d/b/a Bling and Burlap Buy In's and Blanks, Case: 1:15-cv-00995, Document #1, filed Nov. 2, 2015, 128 pages.

United States District Court Western District of Texas Austin Division, "Order Dismissing Case," *YETI Coolers, LLC v. Jennifer Leverage Bootz Evans d/b/a Bling and Burlap Buy In's and Blanks*, Case: 1:15-cv-00995-RP, Document #18, Filed Apr. 18, 2016, 1 page.

United States District Court Western District of Texas Austin Division, "Complaint for Damages and Injunctive Relief," *YETI Coolers, LLC v. RTIC Coolers, LLC*, Case: 1:16-cv-00264, Document #1, filed Mar. 2, 2016, 34 pages.

United States District Court Western District of Texas Austin Division, "Defendants' Answer and Counterclaims to YETI's First Amended Complaint for Damages and Injunctive Relief," *YETI Coolers, LLC v. RTIC Coolers, LLC, RTIC Drinkware, LLC, RTIC Web Services, LLC, Corporate Support & Fulfillment, LLC, John Jacobsen, and James Jacobsen*, Case: 1:16-cv-00264-RP, Document #25, filed Jun. 13, 2016, 42 pages.

United States District Court Western District of Texas Austin Division, "YETI Coolers, LLC's First Amended Complaint," *YETI Coolers, LLC v. RTIC Coolers, LLC, RTIC Drinkware, LLC, RTIC Web Services, LLC, Corporate Support & Fulfillment, LLC, John Jacobsen, and James Jacobsen*, Case: 1:16-cv-00264-RP, Document #15, filed May 16, 2016, 110 pages.

United States District Court Western District of Texas Austin Division, "Complaint for Damages and Injunctive Relief," *YETI Coolers, LLC v. Tree Leaf Marketing, LLC, d/b/a Big Frig*, Case: 1:16-cv-00699, Document #1, filed Jun. 17, 2016, 33 pages.

United States District Court Western District of Texas Austin Division, "Complaint for Damages and Injunctive Relief," *YETI Coolers, LLC v. Wal-Mart Stores, Inc.*, Case: 1:16-cv-00454, Document #1, filed Apr. 8, 2016, 29 pages.

United States District Court Western District of Texas Austin Division, "Joint Rule 26(f) Report and Discovery Plan," *YETI Coolers, LLC v. Wal-Mart Stores, Inc. and Olympia Tools International, Inc.*, Case: 1:16-cv-00454-RP, Document #29, filed Jul. 28, 2016, 8 pages.

United States District Court Western District of Texas Austin Division, "Olympia Tools International, Inc.'s Answer to YETI Coolers, LLC's First Amended Complaint," *YETI Coolers, LLC v. Wal-Mart Stores, Inc. and Olympia Tools International, Inc.*, Case: 1:16-cv-00454-RP, Document #28, filed Jul. 14, 2016, 12 pages.

United States District Court Western District of Texas Austin Division, "Wal-Mart Stores, Inc.'s Answer to First Amended Complaint," *YETI Coolers, LLC v. Wal-Mart Stores, Inc. and Olympia Tools International, Inc.*, Case: 1:16-cv-00454-RP, Document #22 filed Jun. 7, 2016, 13 pages.

United States District Court Western District of Texas Austin Division, "First Amended Complaint for Damages and Injunctive Relief," *YETI Coolers, LLC v. Wal-Mart Stores, Inc. and Olympia Tools International, Inc.*, Case: 1:16-cv-00454-RP, Document #17, filed May 24, 2016, 26 pages.

"Siskiyou Sports CCS48F Oklahoma Sooners Flame Can Cooler", published on Jul. 9, 2014, retrieved from <<http://www.sears.com/siskiyou-sports-ccs48f-oklahoma-sooners-flame-can-cooler/p-SPM7376348303>> on Sep. 16, 2016.

"Mini Keg Coozies! Beer Inside Kegs!", published by Chad Dukes on Dec. 18, 2013, retrieved from <<http://beerandpig.com/category/beer/page/2/>> on Sep. 16, 2016.

"Stainless Steel Can Cooler", published on Apr. 6, 2014, retrieved from <<http://www.belpromo.com/nd/detail.php?c=348,p=KZSS001&s=mvp23g56>> on Sep. 22, 2016.

"Stanley Vacuum Insulated Container—Thermos bottle", published on Feb. 24, 2012, retrieved from <<https://www.youtube.com/watch?v=UCMjqZiNU3o>> on Sep. 23, 2016.

United States District Court Western District of Texas Austin Division, "Complaint for Damages and Injunctive Relief," *YETI*

Coolers, LLC v. Magnum Solace LLC, Case: 1:16-cv-00663-RP, Document #1, filed Jun. 7, 2016, 24 pages.

United States District Court Western District of Texas Austin Division, "Joint Rule 26(f) Report and Discovery Plan," *YETI Coolers, LLC v. RTIC Coolers, LLC, RTIC Drinkware, LLC, RTIC Web Services, LLC, Corporate Support & Fulfillment, LLC, John Jacobsen, and James Jacobsen*, Case: 1:16-cv-00264-RP, Document #26, filed Jun. 23, 2016, 7 pages.

United States District Court Western District of Texas Austin Division, "Defendant's Rule 12(B)(6) Motion to Dismiss," *YETI Coolers, LLC v. Magnum Solace LLC*, Case: 1:16-cv-00663-RP, Document #10, filed Aug. 5, 2016, 30 pages.

United States District Court Western District of Texas Austin Division, "YETI's Opposition to Defendant's Motion to Dismiss," *YETI Coolers, LLC v. Magnum Solace LLC*, Case: 1:16-cv-00663-RP, Document #12, filed Aug. 19, 2016, 47 pages.

United States District Court Western District of Texas Austin Division, "Complaint for Damages and Injunctive Relief," *YETI Coolers, LLC v. MyCrew, LLC, MyCrew Drinkware, LLC, and NNRiverLife, LLC*, Case: 1:16-cv-01008, Document #1, filed Aug. 26, 2016, 29 pages.

United States District Court Western District of Texas Austin Division, "Defendant's Reply in Support of its Rule 12(B) (6) Motion to Dismiss," *YETI Coolers, LLC v. Magnum Solace LLC*, Case: 1:16-cv-00663-RP, Document #13, filed Aug. 29, 2016, 18 pages.

United States District Court Western District of Texas Austin Division, "YETI's Supplemental Brief in Opposition to Magnum's Motion to Dismiss," *YETI Coolers, LLC v. Magnum Solace LLC*, Case: 1:16-cv-00663-RP, Document #16, filed Sep. 27, 2016, 7 pages.

United States District Court Western District of Texas Austin Division, "Defendant's Opposed Motion for a Protective Order and Stay of Discovery," *YETI Coolers, LLC v. Magnum Solace LLC*, Case: 1:16-cv-00663-RP, Document #17, filed Oct. 3, 2016, 47 pages.

United States District Court Western District of Texas Austin Division, "YETI's Opposition to Magnum's Motion for a Protective Order and Stay of Discovery," *YETI Coolers, LLC v. Magnum Solace LLC*, Case: 1:16-cv-00663-RP, Document #20, filed Oct. 11, 2016, 16 pages.

United States District Court Western District of Texas Austin Division, "Defendant's Reply in Support of its Motion for a Protective Order and Stay of Discovery," *YETI Coolers, LLC v. Magnum Solace LLC*, Case: 1:16-cv-00663-RP, Document #22, filed Oct. 18, 2016, 5 pages.

JPO Prior art Reference No. HJ20071600.

English translation of Office Action dated Oct. 18, 2016 for JP Application No. 2016-004372, 3 pages.

English translation of Office Action dated Oct. 18, 2016 for JP Application No. 2016-004373, 3 pages.

United States District Court Western District of Texas Austin Division, "Complaint," *YETI Coolers, LLC v. Imagen Brands, LLC, d/b/a Crown Products, and Ebsco Industries, Inc.*, Case 1:16-cv-00578-RP, Document #1, filed May 16, 2016, 20 pages.

United States District Court Western District of Texas Austin Division, "Defendants' Motion to Dismiss Pursuant to Rule 12(b)(6)," *YETI Coolers, LLC v. Imagen Brands, LLC, d/b/a Crown Products, and Ebsco Industries, Inc.*, Case 1:16N-00578-RP, Document #8, filed Oct. 4, 2016, 27 pages.

United States District Court Western District of Texas Austin Division, "YETI Coolers LLC's Answer To RTIC Drinkware, LLC's, RTIC Web Services, LLC's, Corporate Support & Fulfillment, LLC's, John Jacobsen's, and James Jacobsen's Counterclaims," *YETI Coolers, LLC v. RTIC Coolers, LLC, RTIC Drinkware, LLC, RTIC Web Services, LLC, Corporate Support & Fulfillment, LLC, John Jacobsen, and James Jacobsen*, Case: 1:16-cv-00264-RP, Document #31, filed Jul. 7, 2016, 7 pages.

United States District Court Western District of Texas Austin Division, "Defendants' Answer to Plaintiff's Complaint and Affirmative Defenses," *YETI Coolers, LLC v. MyCrew, LLC, MyCrew Drinkware, LLC and NNRiverLife, LLC*, Case 1:16-cv-01008-RP, Document #14, filed Nov. 29, 2016, 12 pages.

(56)

References Cited

OTHER PUBLICATIONS

United States District Court Western District of Texas Austin Division, “Answer,” *YETI Coolers, LLC v. Tree Leaf Marketing, LLC, d/b/a Big Frig*, Case: 1:16-cv-00699, Document #11, filed Oct. 21, 2016, 8 pages.

“YETI Press Release—Rambler Colster”, published on Jan. 8, 2015, retrieved from <<http://yeti.com/press-releases/rambler-colster>> on Mar. 27, 2017.

Alexander, Emmet, “Removable Bicycle Cup Holder by Bookman”, posted Mar. 23, 2014 online, retrieved Jun. 6, 2016 from Internet, URL: <http://coolmensegear.com/removable-bicycle-cup-holder/>.

“Meyers California Rainbow Mug With Removable Wood Metal Handle”, retrieved from Internet on Jun. 6, 2016; URL: <https://www.pinterest.com/pin/148618856430252325/>.

“Tervis Tumbler Black 24 oz. Handle”, retrieved from Internet Jun. 6, 2016; URL: <http://www.amazon.com/Tervis-Tumbler-Black-24oz-Handle/dp/B004VXHORG>.

Purdom, Sandra, “Mug or Tumbler Metal Handles Spare Parts”, retrieved from Internet Jun. 6, 2016; URL: https://www.etsy.com/...r-tumbler-metalhandles-spare-parts?ga_order=most_relevant&ga_search_type=all&ga_view_type=gallery&ga_search_query=metal%20handled%20mugs&ref=sr_gallery_8.

“Red Removable Handle 16-Oz. Travel Tumbler”, retrieved from Internet Jun. 6, 2016, URL: <http://www.zulily.com/p/red-removable-handle-16-oz-travel-tumbler-120715-7353259.html>.

Pictures of Great American Products Tumbler, published date unknown, but prior to the filing date of the present application.

Photographic image of YETI 30oz Rambler Tumbler, published date unknown, but prior to the filing date of the present application.

Second photographic image of YETI 30oz Rambler Tumbler, published date unknown, but prior to the filing date of the present application.

Promotional Items, Inc., “Stainless Steel 14oz. Deluxe Coffee Insulated Tumbler Lid”, retrieved from <http://www.promotional-items-inc.com/catalog/stainless_steel_18oz_commuter_coffee_mug_lid.html> on Aug. 27, 2015.

The Product Farm, “BeerNStein Rocks Tumbler Lid—Blue”, retrieved from <<http://store.theproductfarm.com/beerstein-rocks-tumbler-lid-blue/>> on Aug. 27, 2015.

Hit Promotional Products, “24 Oz. Biggie Tumbler with Lid”, retrieved from <<http://www.hitpromo.net/product/show/5853/24-oz-biggie-tumbler-with-lid>> on Aug. 27, 2015.

The Alexon Group, “16 Oz. Stainless Steel Travel Mug with Slide Action Lid and Plastic Inner Liner”, retrieved from <<https://alexongroup.com/16-oz-stainless-steel-travel-mug-with-slide-action-lid-and-plastic-inner-liner>> on Aug. 27, 2015.

“New 16oz Insulated Coffee Travel Mug Stainless Steel Double Wall Thermos Tumbler”, retrieved from <<http://www.ebay.com/itm/New-16oz-Insulated-COFFEE-TRAVEL-MUG-Stainless-Steel-Double-Wall-Thermos-Tumbler-/171416296921>> on Aug. 27, 2015.

“Stainless Steel Travel Mug with Slide Action Lid and Plastic Inner Liner—16oz.”, retrieved from <<http://waterbottles.com/stainless-steel-travel-mug-with-slide-action-lid-and-plastic-inner-liner-16-oz.>> on Aug. 27, 2015.

Vat19, “16 oz. Dual Auto/USB Heated Mug”, retrieved from <<https://www.vat19.com/item/16-oz-dual-auto-usb-heater-coffee-mug>> on Aug. 27, 2015.

Timolino, “Signature Thermal Travel Mug Slide—Tab Lid”, retrieved from <<http://timolino.com/products/signature-thermal-travel-mug-slide-tab-lid>> on Aug. 27, 2015.

Eshine Industrial & Maoyuan International, “400ml Double Wall Stainless Steel Travel Mug with Sliding Drink Lid”, retrieved from <<http://www.chinawaterbottle.com/product/400ml-double-wall-stainless-steel-travel-mug-with-sliding-drink-lid-77-520.html>> on Aug. 27, 2015.

Photo USA Electronic Graphic Inc., “17fl oz Personalised Travel Mug (Plastic Insert and Metal Shell, Reverse Screw)”, retrieved from <<http://www.meikeda.com/stainless-steel-mug/item/15-oz-personalised-travel-mug.html>> on Aug. 27, 2015.

Promo Industrial Co., Limited, “16 Oz. Blue Bullet Travel Mug W/ Handle”, retrieved from <http://www.oempromo.com/Bottle-cup-and-mug/Mugs/index_73.htm> on Aug. 27, 2015.

Gold Bond Inc., “16CT—16 oz Cafe Tumbler”, retrieved from <<http://www.goldbondinc.com/16ct>> on Aug. 27, 2015.

“YETI Rambler 20 and 30 oz”, published on Apr. 19, 2014, retrieved from <https://web.archive.org/web/20140419041951/http://yeticoolers.com/rambler-tumblers/> on Sep. 2, 2015.

Photographic image of YETI 20oz Rambler Tumbler, published date unknown, but prior to the filing date of the present application.

United States District Court Western District of Texas Austin Division, “Plaintiff YETI Coolers, LLC’s Original Complaint,” *YETI Coolers, LLC v. Ontel Products Corporation and World Pack USA, LLC*, Case: 1:17-cv-00091-RP, Document #1, filed Feb. 8, 2017, 65 pages.

United States District Court Western District of Texas Austin Division, “Defendants’ Answers and Defenses to Plaintiff’s Original Complaint,” *YETI Coolers, LLC v. Ontel Products Corporation and World Pack USA, LLC*, Case: 1:17-cv-00091-RP, Document #14, filed Feb. 21, 2017, 45 pages.

United States District Court Western District of Texas Austin Division, “Complaint for Damages and Injunctive Relief,” *YETI Coolers, LLC v. Tree Leaf Marketing, LLC, d/b/a Big Frig*, Case: 1:16-cv-00699-RP, Document #26, filed Apr. 7, 2017, 39 pages.

Snow Peak H860, posted by copperbrier at YouTube.com [online], posted on Nov. 13, 2013. Available on the Internet, <URL: <https://youtu.be/rotGiNYY6ms>>.

Snow Peak 450ml, posted by keegansreviews at YouTube.com [online], posted on Jun. 5, 2015. Available on the Internet, <URL: <https://youtu.be/S9dSBijmxsM>>.

“Snow Peak Detail Specs”, published earlier than Jan. 6, 2014, retrieved from <<http://global.rakuten.com/en/store/mitsuyoshi/item/tw-137-snowpeak/>> on May 22, 2017.

United States District Court Western District of Texas Austin Division, “Complaint,” *YETI Coolers, LLC v. Wadley Holdings, LLC d/b/a Meadowcraft, and Southern Sales & Marketing Group, Inc. d/b/a nICE*, Case 1:17-cv-00421, Document 1, filed May 5, 2017, 121 pages.

United States District Court Western District of Texas Austin Division, “Complaint,” *YETI Coolers, LLC v. JDS Industries, Inc., Lionel Laundry Jr., d/b/a Accolades Awards & Engraving, Creating and Fast LLC d/b/a Promotional Products San Antonio, Kelly Scoggins d/b/a King Engraving, Jamey Z. Apps d/b/a Roberts Trophies, and Eagle Media, Inc.*, Case 1:17-cv-00424, Document 1, filed May 5, 2017, 62 pages.

United States District Court Western District of Texas Austin Division, “Complaint,” *YETI Coolers, LLC v. Glacier Coolers, LLC, and Tecomate Holdings, LLC*, Case 1:17-cv-00586, Document 1, filed Jun. 15, 2017, 161 pages.

United States District Court Western District of Texas Austin Division, “Complaint,” *YETI Coolers, LLC v. Gametime Sidekicks, LLC*, Case 1:17-cv-00413, Document 1, filed May 5, 2017, 107 pages.

United States District Court Western District of Texas Austin Division, “Complaint,” *YETI Coolers, LLC v. Kodiak Coolers, LLC and Flexible Automation LLC*, Case 1:17-cv-00422, Document 1, filed May 5, 2017, 51 pages.

United States District Court Western District of Texas Austin Division, “Complaint,” *YETI Coolers, LLC v. Gourmet Home Products, LLC*, Case: 1:17-cv-00533, Document #1, filed Jun. 2, 2017, 25 pages.

United States District Court Western District of Texas Austin Division, “Complaint,” *YETI Coolers, LLC v. Godinger Silver Art, Ltd., Cathy’s Concepts, Inc., Viatek Consumer Products Group, Inc.*, Case: 1:17-cv-00467, Document #1, filed May 16, 2017, 22 pages.

United States District Court Western District of Texas Austin Division, “Complaint,” *YETI Coolers, LLC v. Bayou Ice Boxes, Inc.*, Case: 1:17-cv-00261, Document #1, filed Mar. 24, 2017, 41 pages.

United States District Court Western District of Texas Austin Division, “Complaint,” *YETI Coolers, LLC v. Vickery Products, LLC d/b/a Axis Cups, f/d/b/a Frio Cups*, Case: 1:17-cv-00260, Document #1, filed Mar. 24, 2017, 52 pages.

(56)

References Cited

OTHER PUBLICATIONS

United States District Court Western District of Texas Austin Division, "Complaint," *YETI Coolers, LLC v. Benner China and Glassware Florida, Inc.*, Case: 1:16-cv-00142-RP, Document #1, filed Feb. 16, 2016, 21 pages.

United States District Court Western District of Texas Austin Division, "Complaint," *YETI Coolers, LLC v. Blackbird Products Group, LLC, d/b/a Mammoth Coolers*, Case: 1:15-cv-01105, Document #1, filed Dec. 7, 2015, 266 pages.

United States District Court Western District of Texas Austin Division, "Defendant Blackbird Products Group, LLC's Answer and Affirmative Defenses to Plaintiff YETI Coolers, LLC's Complaint," *YETI Coolers, LLC v. Blackbird Products Group, LLC, d/b/a Mammoth Coolers*, Case: 1:15-cv-01105-SS, Document #13, filed Dec. 28, 2015, 11 pages.

United States District Court Western District of Texas Austin Division, "Order," *YETI Coolers, LLC v. Blackbird Products Group, LLC, d/b/a Mammoth Coolers*, Case: 1:15-cv-01105-RP, Document #26, filed Apr. 20, 2016, 1 page.

United States District Court Western District of Texas Austin Division, "Complaint," *YETI Coolers, LLC v. The Boelter Companies, Inc., Boelter Brands, LLC and Boelter Beverage, LLC*, Case: 1:16-cv-00456, Document #1, filed Apr. 8, 2016, 20 pages.

United States District Court Western District of Texas Austin Division, "Defendants' Answer to Complaint," *YETI Coolers, LLC v. The Boelter Companies, Inc., Boelter Brands, LLC and Boelter Beverage, LLC*, Case: 1:16-cv-00456-RP, Document #21, filed Jun. 7, 2016, 9 pages.

United States District Court Western District of Texas Austin Division, "Consent Judgment," *YETI Coolers, LLC v. The Boelter Companies, Inc., Boelter Brands, LLC and Boelter Beverage, LLC*, Case: 1:16-cv-00456-RP, Document #25, filed Sep. 13, 2016, 3 pages.

United States District Court Western District of Texas Austin Division, "Complaint," *YETI Coolers, LLC v. Jennifer Leverne Bootz Evans d/b/a Bling and Burlap Buy In's and Blanks*, Case: 1:15-cv-00995, Document #1, filed Nov. 2, 2015, 128 pages.

United States District Court Western District of Texas Austin Division, "Order," *YETI Coolers, LLC v. Jennifer Leveme Bootz Evans d/b/a Bling and Burlap Buy In's and Blanks*, Case: 1:15-cv-00995-RP, Document #18, filed Apr. 18, 2016, 1 page.

United States District Court Western District of Texas Austin Division, "Defendant Kaiser Group Inc.'s Answer, Affirmative Defenses, and Counterclaims to Plaintiff YETI Coolers, LLC's Complaint," *YETI Coolers, LLC v. Kaiser Group Inc., d/b/a Thermo Steel, d/b/a Vino2Go, d/b/a Brew2GO*, Case: 1:15-cv-00725-RP, Document #14, filed Oct. 13, 2015, 65 pages.

United States District Court Western District of Texas Austin Division, "Complaint," *YETI Coolers, LLC v. Great American Products, Ltd.*, Case: 1:15-cv-00686, Document #1, filed Aug. 6, 2015, 20 pages.

United States District Court Western District of Texas Austin Division, "Order," *YETI Coolers, LLC v. Great American Products, Ltd.*, Case: 1:15-cv-00686-RP, Document #25, filed Mar. 14, 2016, 1 page.

United States District Court Western District of Texas Austin Division, "Complaint," *YETI Coolers, LLC v. Home Depot U.S.A., Inc., Takeya USA Corporation*, Case: 1:17-cv-00342, Document #1, filed Apr. 12, 2017, 24 pages.

United States District Court Western District of Texas Austin Division, "Complaint," *YETI Coolers, LLC v. Ideastage Promotions, LLC, d/b/a Swag Brokers*, Case: 1:15-cv-00774, Document #1, filed Sep. 2, 2015, 22 pages.

United States District Court Western District of Texas Austin Division, "Order," *YETI Coolers, LLC v. Ideastage Promotions, LLC, d/b/a Swag Brokers*, Case: 1:15-cv-00774-RP, Document #19, filed Dec. 21, 2015, 1 page.

United States District Court Western District of Texas Austin Division, "Complaint," *YETI Coolers, LLC v. Kaiser Group Inc.,*

d/b/a Thermo Steel, d/b/a Vino2GO, d/b/a Brew2Go, Case: 1:15-cv-00725, Document #1, filed Aug. 19, 2015, 21 pages.

United States District Court Western District of Texas Austin Division, "Complaint," *YETI Coolers, LLC v. Kuer Outdoors, LLC*, Case: 1:16-cv-00631, Document #1, filed May 27, 2016, 89 pages.

United States District Court Western District of Texas Austin Division, "Complaint," *YETI Coolers, LLC v. Magnum-Solace LLC*, Case: 1:16-cv-00663-RP, Document #1, filed Jun. 7, 2016, 24 pages.

United States District Court Western District of Texas Austin Division, "Defendant's Rule 12(B)(6) Motion to Dismiss For Failure to State a Claim," *YETI Coolers, LLC v. Magnum Solace LLC*, Case: 1:16-cv-00663-RP, Document #10, filed Aug. 5, 2016, 30 pages.

United States District Court Western District of Texas Austin Division, "Defendant's Answer," *YETI Coolers, LLC v. Magnum Solace LLC*, Case: 1:16-cv-00663-RP, Document #34, filed Apr. 13, 2017, 7 pages.

United States District Court Western District of Texas Austin Division, "Complaint," *YETI Coolers, LLC v. MyCrew, LLC, MyCrew Drinkware, LLC and NNRiverLife, LLC*, Case: 1:16-cv-01008, Document #1, filed Aug. 26, 2016, 29 pages.

United States District Court Western District of Texas Austin Division, "RTIC Drinkware's First Amended Complaint for Declaratory Judgment," *RTIC Drinkware, LLC v. YETI Coolers, LLC*, Case: 1:16-cv-00907-RP, Document #52, filed Nov. 14, 2016, 124 pages.

United States District Court Western District of Texas Austin Division, "YETI Coolers, LLC's Answer to RTIC Drinkware's First Amended Complaint," *RTIC Drinkware, LLC v. YETI Coolers, LLC*, Case: 1:16-cv-00907-RP, Document #58, filed Dec. 1, 2016, 15 pages.

United States District Court Western District of Texas Austin Division, "YETI Coolers, LLC's Answer to RTIC Drinkware LLC's Complaint," *RTIC Drinkware, LLC v. YETI Coolers, LLC*, Case: 1:16-cv-00907-RP, Document #35, filed Aug. 3, 2016, 27 pages.

United States District Court for the Southern District of Texas Houston Division, "RTIC Drinkware's Original Complaint or Declaratory Judgment, Damages, and Injunctive Relief," *RTIC Drinkware, LLC v. YETI Coolers, LLC*, Case: 4:16-cv-01201, Document #1, filed May 2, 2016, 58 pages.

United States District Court Western District of Texas Austin Division, "Order," *RTIC Drinkware, LLC v. Yeti Coolers, LLC*, Case: 1:16-cv-00907-RP, Document #47, filed Oct. 13, 2016, 3 pages.

United States District Court Western District of Texas Austin Division, "Defendant RTIC Drinkware, LLC, RTIC Web Services, LLC, Corporate Support & Fulfillment, LLC, John Jacobsen, and James Jacobsen's Answer and Counterclaims to YETI's First Amended Complaint for Damages and Injunctive Relief," *YETI Coolers, LLC v. RTIC Coolers, LLC, RTIC Drinkware, LLC, RTIC Web Services, LLC, Corporate Support & Fulfillment, LLC; John Jacobsen; and James Jacobsen*, Case: 1:16-cv-00264-RP, Document #25, filed Jun. 13, 2016, 42 pages.

United States District Court Western District of Texas Austin Division, "Complaint," *YETI Coolers, LLC v. RTIC Coolers, LLC*, Case: 1:16-cv-00264, Document #1, filed Mar. 2, 2016, 34 pages.

United States District Court Western District of Texas Austin Division, "First Amended Complaint," *YETI Coolers, LLC v. Sam's West, Inc., and Sam's East, Inc.*, Case: 1:16-cv-00829-RP, Document #32, filed Jan. 9, 2017, 24 pages.

United States District Court Western District of Texas Austin Division, "Defendants Sam's West, Inc. and Sam's East, Inc.'s Answer to Complaint," *YETI Coolers, LLC v. Sam's West, Inc., and Sam's East, Inc.*, Case: 1:16-cv-00829-RP, Document #16, filed Aug. 26, 2016, 11 pages.

United States District Court Western District of Texas Austin Division, "Complaint," *YETI Coolers, LLC v. Sam's West, Inc., and Sam's East, Inc.*, Case: 1:16-cv-00829, Document #1, Jun. 30, 2016, 21 pages.

United States District Court Western District of Texas Austin Division, "First Amended Complaint," *YETI Coolers, LLC v. Sic Products LLC, d/b/a Sic Cups, d/b/a Sic*, Case: 1:16-cv-00117-RP, Document #34, Nov. 21, 2016, 25 pages.

(56)

References Cited

OTHER PUBLICATIONS

United States District Court Western District of Texas Austin Division, “Sic Products, LLC’s Answer, Affirmative Defenses, and Counterclaims to Plaintiff’s Amended Complaint,” *YETI Coolers, LLC v. Sic Products LLC, d/b/a Sic Cups, d/b/a Sic*, Case: 1:16-cv-00117-RP, Document #35, Dec. 5, 2016, 81 pages.

United States District Court Western District of Texas Austin Division, “Sic Products, LLC’s Answer, Affirmative Defenses, and Counterclaims to Plaintiff’s Complaint,” *YETI Coolers, LLC v. Sic Products LLC, d/b/a Sic Cups, d/b/a Sic*, Case: 1:16-cv-00117-RP, Document #14, Jun. 3, 2016, 38 pages.

United States District Court Western District of Texas Austin Division, “Complaint,” *YETI Coolers, LLC v. Sic Products LLC, d/b/a Sic Cups, d/b/a Sic*, Case: 1:16-cv-00117-RP, Document #1, Feb. 4, 2016, 23 pages.

United States District Court Western District of Texas Austin Division, “YETI Coolers, LLC’s Answer to SIC Products, LLC Counterclaims,” *YETI Coolers, LLC v. Sic Products LLC, d/b/a Sic Cups, d/b/a Sic*, Case: 1:16-cv-00117-RP, Document #21, Sep. 29, 2016, 15 pages.

United States District Court Western District of Texas Austin Division, “YETI Coolers, LLC’s Answer to SIC Products, LLC Counterclaims to YETI Coolers, LLC’s Amended Complaint,” *YETI Coolers, LLC v. Sic Products LLC, d/b/a Sic cups, d/b/a Sic*, Case: 1:16-cv-00117-RP, Document #38, Dec. 19, 2016, 20 pages.

United States District Court Western District of Texas Austin Division, “Complaint,” *YETI Coolers, LLC v. The Allen Company, d/b/a Allen Color Craft*, Case: 1:15-cv-00888-RP, Document #1, Oct. 6, 2015, 24 pages.

United States District Court Western District of Texas Austin Division, “Complaint,” *YETI Coolers, LLC v. Titan Custom Products, Inc.*, Case: 1:15-cv-00775, Document #1, Sep. 2, 2015, 22 pages.

United States District Court Western District of Texas Austin Division, “Answer,” *YETI Coolers, LLC v. Tree Leaf Marketing, LLC d/b/a Big Frig*, Case: 1:16-cv-00699-RP, Document #11, Oct. 21, 2016, 8 pages.

United States District Court Western District of Texas Austin Division, “Complaint,” *YETI Coolers, LLC v. Tree Leaf Marketing, LLC d/b/a Big Frig*, Case: 1:16-cv-00699, Document #1, Jun. 17, 2016, 33 pages.

United States District Court Western District of Texas Austin Division, “Complaint,” *YETI Coolers, LLC v. US Imprints, LLC, d/b/a GOimprints*, Case: 1:15-cv-00773, Document #1, Sep. 2, 2015, 22 pages.

United States District Court Western District of Texas Austin Division, “Order,” *YETI Coolers, LLC v. US Imprints, LLC, d/b/a GOimprints*, Case: 1:15-cv-00773-RP, Document #23, Apr. 25, 2016, 1 page.

United States District Court Western District of Texas Austin Division, “Veterinary Internet Company, LLC d/b/a VetInternetCo’s Answer to Plaintiff’s Complaint,” *YETI Coolers, LLC v. Polar Pad LLC, d/b/a Polar Drifter, d/b/a Polar Pad, and Veterinary Internet Company, LLC, d/b/a VetInternetCo*, Case: 1:16-cv-00677-RP, Document #11, Aug. 19, 2016, 12 pages.

United States District Court Western District of Texas Austin Division, “Complaint,” *YETI Coolers, LLC v. Polar Pad LLC, d/b/a Polar Pad Drifter, d/b/a Polar Pad, and Veterinary Internet Company, LLC, d/b/a VetInternetCo*, Case: 1:16-cv-00128, Document #1, Feb. 12, 2016, 24 pages.

United States District Court Western District of Texas Austin Division, “Complaint,” *YETI Coolers, LLC v. Polar Pad LLC, d/b/a Polar Pad Drifter, d/b/a Polar Pad, and Veterinary Internet Company, LLC, d/b/a VetInternetCo*, Case: 1:16-cv-00677, Document #1, Jun. 10, 2016, 25 pages.

United States District Court Western District of Texas Austin Division, “Order,” *YETI Coolers, LLC v. Polar Pad LLC, d/b/a Polar Pad Drifter, d/b/a Polar Pad, and Veterinary Internet Company, LLC, d/b/a VetInternetCo*, Case: 1:16-cv-00128-RP, Document #17, Jun. 17, 2016, 1 page.

United States District Court Western District of Texas Austin Division, “[Proposed] Order Granting Stipulated Motion to Dismiss Defendant Polar Pad, LLC, Without Prejudice, Pursuant to Fed. R. Civ. P. 21,” *YETI Coolers, LLC v. Polar Pad LLC, d/b/a Polar Pad Drifter, d/b/a Polar Pad, and Veterinary Internet Company, LLC, d/b/a VetInternetCo*, Case: 1:16-cv-00677-RP, Document #14, Sep. 15, 2016, 1 page.

United States District Court Western District of Texas Austin Division, “Complaint,” *YETI Coolers, LLC v. Vickery Products, LLC d/b/a Axis Cups, f/d/b/a Frio Cups*, Case: 1:17-cv-00260, Document #1, Mar. 24, 2017, 52 pages.

United States District Court Western District of Texas Austin Division, “First Amended Complaint,” *YETI Coolers, LLC v. Wal-Mart Stores, Inc. and Olympia Tools International, Inc.*, Case: 1:16-cv-00454-RP, Document #17, May 24, 2016, 26 pages.

United States District Court Western District of Texas Austin Division, “Complaint,” *YETI Coolers, LLC v. Wal-Mart Stores, Inc.*, Case: 1:16-cv-00454, Document #1, Apr. 8, 2016, 29 pages.

United States District Court Western District of Texas Austin Division, “Olympia Tools International, Inc.’s Answer to YETI Coolers, LLC’s First Amended Complaint,” *YETI Coolers, LLC v. Wal-Mart Stores, Inc. and Olympia Tools International, Inc.*, Case: 1:16-cv-00454-RP, Document #28, Jul. 14, 2016, 12 pages.

United States District Court Western District of Texas Austin Division, “Wal-Mart Stores, Inc.’s Answer to First Amended Complaint,” *YETI Coolers, LLC v. Wal-Mart Stores, Inc. and Olympia Tools International, Inc.*, Case: 1:16-cv-00454-RP, Document #22, Jun. 7, 2016, 13 pages.

United States District Court Western District of Texas Austin Division, “Plaintiffs’ Complaint for Damages and Injunctive Relief,” *YETI Coolers, LLC v. Seth Stevens d/b/a SDS Marketing d/b/a Eskimo Coolers, Panther Group LLC d/b/a Eskimo Coolers, Panther Group Sales, LLC d/b/a Eskimo Coolers, and Silver Fox Sales, LLC*, Case 1:17-cv-00423, Document 1, filed May 5, 2017, 77 pages.

United States International Trade Commission, “Respondents Alibaba, Dunhuang Group, and Bonanza.com’s Notice of Prior Art,” in the Matter of: Certain Insulated Beverage Containers, Components, Labels, and Packaging Materials Thereof, Inv. No. 337-TA-1084, filed Feb. 9, 2018, 8 pages.

United States International Trade Commission, “Respondent Contextlogic, Inc.’s Notice of Prior Art,” in the Matter of Certain Insulated Beverage Containers, Components, Labels, and Packaging Materials Thereof, Inv. No. 337-TA-1084, filed Feb. 9, 2018, 15 pages.

United States International Trade Commission, “The Commission Investigative Staff’s Notice of Prior Art” in the Matter of: Certain Insulated Beverage Containers, Components, Labels, and Packaging Materials Thereof, Inv. No. 337-TA-1084, filed Feb. 9, 2018, 4 pages.

YETI Rambler Colster Beverage Holder [online], [retrieved Feb. 1, 2018] Retrieved from the Internet, URL: <<https://kevinscatalog.com/yeti-colster-beverage-holder-44-1064>>, 4 color pages, published date unknown, but for purposes of patent prosecution prior to the filing date of the present application.

Firm Grip: The 15 Coolest Beer Koozies [online], [retrieved Mar. 16, 2018], Retrieved from the Internet, URL: <<http://hiconsumption.com/2014/01/firm-grip-the-15-coolest-beer-koozies/>>, 10 color pages, published date unknown, but for purposes of patent prosecution prior to the filing date of the present application.

Thermos Stainless Steel Can Insulator [online], [retrieved Mar. 19, 2018], Retrieved from the Internet, URL: <<https://www.youtube.com/watch?v=p8pV3BhAOiU>>, 1 color page, published on Oct. 8, 2008.

Custom Ventura Travel Tumbler—Promotional Travel Mugs at 4imprint [online], [retrieved Mar. 19, 2018], Retrieved from the Internet, URL: <<https://www.youtube.com/watch?v=e8okCU8DaP4>>, 1 color page, published on Dec. 19, 2014.

15 Oz. Stainless Steel Double Wall Tumbler [online], [retrieved Mar. 19, 2018], Retrieved from the Internet, URL: <<https://www.4allpromos.com/product/15-oz-stainless-steel-double-wall->

(56)

References Cited

OTHER PUBLICATIONS

tumbler», 5 color pages, published date unknown, but for purposes of patent prosecution prior to the filing date of the present application.

Personalized Color Touch Stainless Tumbler—Promotional Travel Mugs by 4imprint [online], [retrieved Mar. 19, 2018], Retrieved from the Internet, URL: <https://www.youtube.com/watch?v=v7TLpRMCfIw>, 1 color page, published on Dec. 18, 2014.

15 oz. Stainless Deal Tumbler—Custom Promotional Coffee Tumblers from InkHead.com [online], [retrieved Mar. 19, 2018], Retrieved from the Internet, URL: <https://www.youtube.com/watch?v=vywesydY6xs>, 1 color page, published on Jul. 11, 2011.

Reflections Metallic Tumbler [online], [retrieved Mar. 19, 2018], Retrieved from the Internet, URL: <https://www.youtube.com/watch?v=cNT6h4cKfAs>, 1 color page, published on Jan. 9, 2014.

Swag Standard | Seaside 15-oz. Travel Mug [online], [retrieved Mar. 19, 2018], Retrieved from the Internet, URL: <https://www.youtube.com/watch?v=cb58zm_PSOo>, 1 color page, published on Mar. 3, 2015.

Logo Coffee Mugs—Stainless Steel Tumbler w/ Color Trim—MARCO [online], [retrieved Mar. 19, 2018], Retrieved from the Internet, URL: <https://www.youtube.com/watch?v=2k72dgsWJy8>, 1 color page, published on Apr. 21, 2014.

Promotional Cups—14 oz. Ventura Double Wall Travel Tumblers—MARCO [online], [retrieved Mar. 19, 2018], Retrieved from the Internet, URL: <https://www.youtube.com/watch?v=QAkt51115J4>, 1 color page, published on May 9, 2014.

SnapSeal™ Byron Travel Mug [online], [retrieved Mar. 19, 2018], Retrieved from the Internet, URL: <https://www.youtube.com/watch?v=dLIIdCz1LD0>, 1 color page, published on Feb. 13, 2014.

Review of the Starbucks “Clip and Sip” Travel Coffee Mug [online], [retrieved Mar. 19, 2018], Retrieved from the Internet, URL: <https://www.youtube.com/watch?v=6DfWKHLe1b4>, 1 color page, published on Nov. 13, 2014.

Stainless Steel Curvy Tumbler (16 Oz.)—Q11830 [online], [retrieved Mar. 19, 2018], Retrieved from the Internet, URL: <https://www.youtube.com/watch?v=8UCmHszwMLY>, 1 color page, published on Jul. 8, 2012.

Best Tumbler Thermos Mug for caffe latte or messy drink: Starbucks Reserve Stainless Steel [online], [retrieved Mar. 19, 2018], Retrieved from the Internet, URL: <https://www.youtube.com/watch?v=h2IWzV6wVbk>, 1 color page, published on Oct. 22, 2014.

CamelBak Forge Travel Mugs | Crew Review [online], [retrieved Mar. 19, 2018], Retrieved from the Internet, URL: <https://www.youtube.com/watch?v=XuR0u3OEndY>, 1 color page, published on Jul. 23, 2015.

AUTOSEAL® West Loop Stainless Travel Mug with Easy-Clean Lid [online], [retrieved Mar. 19, 2018], Retrieved from the Internet, URL: <https://www.youtube.com/watch?v=bClubrvh2zs>, 1 color page, published on Feb. 6, 2014.

Stainless King Food Jar Youtube.wmv [online], [retrieved Mar. 19, 2018], Retrieved from the Internet, URL: <https://www.youtube.com/watch?v=RGHArOT_rEs>, 1 color page, published on Oct. 20, 2010.

Thermos Food Jar Review [online], [retrieved Mar. 19, 2018], Retrieved from the Internet, URL: <https://www.youtube.com/watch?v=3esAaqKc4po>, 1 color page, published on Jan. 26, 2013.

Thermos Infant [online], [retrieved Mar. 19, 2018], Retrieved from the Internet, URL: <https://www.youtube.com/watch?v=vUf2MPVSODM>, 1 color page, published on May 14, 2013.

Promo Travel Mugs—16 oz. Double Wall Stainless Steel Tumbler—MARCO [online], [retrieved Mar. 19, 2018], Retrieved from the Internet, URL: <https://www.youtube.com/watch?v=sanCJS5rtig>, 1 color page, published on Nov. 21, 2012.

Contigo Autoseal Stainless Steel Vacuum Insulated Tumbler Travel Mug Full Review [online], [retrieved Mar. 19, 2018], Retrieved from the Internet, URL: <https://www.youtube.com/watch?v=O2aiMQmjIFg>, 1 color page, published on Sep. 16, 2012.

ChillingTheMost.com Houston Boat Show 2014 [online], [retrieved Mar. 19, 2018], Retrieved from the Internet, URL: <https://www.youtube.com/watch?v=1vUQ43gVL38>, 1 color page, published on Aug. 29, 2014.

2012 Tampa Boat Show—Chilling the Most [online], [retrieved Mar. 19, 2018], Retrieved from the Internet, URL: <https://www.youtube.com/watch?v=IWgIdQcYz48>, 1 color page, published on Oct. 1, 2012.

Contigo Autoseal Spill-Proof Travel Mug Review and Giveaway [online], [retrieved Mar. 19, 2018], Retrieved from the Internet, URL: <https://www.makeuseof.com/tag/contigo-autoseal-spill-proof-travel-mug-review-and-giveaway/>, 6 color pages, published on Dec. 28, 2010.

Klean Kanteen 27oz Stainless Steel Bottle w/ Built NY 27oz Bottle Tote [online], [retrieved Mar. 19, 2018], Retrieved from the Internet, URL: <https://www.youtube.com/watch?v=R411PhqF6Tc>, 1 color page, published on Sep. 3, 2009.

Teavana Contour Tumbler vs Thermos Review [online], [retrieved Mar. 20, 2018], Retrieved from the Internet, URL: <https://www.youtube.com/watch?v=O55uWyKiWRM>, 1 color page, published on Feb. 11, 2013.

KeepCup—Inside Business [online], [retrieved Mar. 20, 2018], Retrieved from the Internet, URL: <https://www.youtube.com/watch?v=hJ5xUpC8VXQ>, 1 color page, published on Feb. 14, 2012.

William & the Ordinary Hero Coffee Tumbler [online], [retrieved Mar. 20, 2018], Retrieved from the Internet, URL: <https://www.youtube.com/watch?v=CwpT_KePTdk>, 1 color page, published on Jun. 10, 2011.

Persona Vacuum Tumbler (14 Oz.)—Q49231 [online], [retrieved Mar. 20, 2018], Retrieved from the Internet, URL: <https://www.youtube.com/watch?v=XUoRO31-uhA>, 1 color page, published on Dec. 10, 2012.

Product Review: Klean Kanteen Wide Insulated [online], [retrieved Mar. 20, 2018], Retrieved from the Internet, URL: <https://www.apartmenttherapy.com/product-review-klean-kanteen-w-105234>, 4 color pages, published on Jan. 6, 2010.

GSI Fairshare Collapsible Cup [online], [retrieved Mar. 20, 2018], Retrieved from the Internet, URL: <https://www.youtube.com/watch?v=GqWiv4k8Ddc>, 1 color page, published on Jan. 14, 2013.

How to Clean the JOemo Reusable Travel Mug Lid [online], [retrieved Mar. 20, 2018], Retrieved from the Internet, URL: <https://www.youtube.com/watch?v=O39NGhuQDms>, 1 color page, published on Sep. 12, 2011.

SFS DM400 Photo Tumbler Printing Video [online], [retrieved Mar. 22, 2018], Retrieved from the Internet, URL: <https://www.youtube.com/watch?v=d9Xyb9StdRY>, 1 color page, published on Jul. 1, 2012.

Starbucks Stainless Steel Travel Press—Rose Gold 10 fl oz (011028166) Best Buy Deals | Bestseller [online], [retrieved Mar. 22, 2018], Retrieved from the Internet, URL: <https://www.youtube.com/watch?v=-dhoL4ohTOU>, 1 color page, published on Oct. 15, 2014.

Custom Full-Wrap Travel Tumbler—Promotional Tumblers by 4imprint [online], [retrieved Mar. 22, 2018], Retrieved from the Internet, URL: <https://www.youtube.com/watch?v=A8sveo1261s>, 1 color page, published on Nov. 12, 2014.

15 oz Maui Fusion Tumbler—Custom Travel Coffee Tumblers from InkHead.com [online], [retrieved Mar. 22, 2018], Retrieved from the Internet, URL: <https://www.youtube.com/watch?v=MrQAJR6skr8>, 1 color page, published on Apr. 12, 2013.

Thermos Vacuum Insulated 14 oz Travel Tumbler with Lever45; Operated Lid [online], [retrieved Apr. 4, 2018], Retrieved from the Internet, URL: <https://www.amazon.com/Thermos-Insulated-Stainless-Operated-Tumbler/dp/B00JM0KAZO/ref=sr_1_fkmr0_1?ie=UTF8&qid=1522868078&sr=8-1-fkmr0&keywords=thermos+vacuum+insulated+14+oz+travel+tumbler+with+lever+45+%3Boperated+lid>, 8 color pages, published date unknown, but for purposes of patent prosecution prior to the filing date of the present application.

Thermos Stainless Steel 14 Ounce Travel Tumbler with 360 Degree Lid [online], [retrieved Apr. 4, 2018], Retrieved from the Internet, URL: <https://www.amazon.com/Thermos-Stainless-Travel-Tumbler-Degree/dp/B000FOMQ4O/ref=sr_1_1?ie=UTF8&qid=1522868265&sr=8-1&keywords=thermos+stainless+steel+14+ounce+travel+tu

(56)

References Cited

OTHER PUBLICATIONS

mbl+with+360+degree+lid», 7 color pages, published date unknown, but for purposes of patent prosecution prior to the filing date of the present application.

Maui Fusion Travel Mug—14 oz. [online], [retrieved Apr. 4, 2018], Retrieved from the Internet, URL: <<https://www.4imprint.com/product/105878/maui-fusion-travel-mug-14-oz>>, 2 color pages, published date unknown, but for purposes of patent prosecution prior to the filing date of the present application.

United States District Court Western District of Texas Austin Division, “Second Amended Complaint,” *YETI Coolers, LLC v. Sam’s West, Inc., and Sam’s East, Inc., and CY Top, Ltd.*, Case: 1:16-cv-00829-RP Document #51, filed Sep. 22, 2017, 49 pages.

United States District Court Western District of Texas Austin Division, “Complaint,” *YETI Coolers, LLC v. Bonanza.com, Inc.*, Case: 1:17-cv-00935, Document #1, filed Sep. 28, 2017, 142 pages.

United States District Court Western District of Texas Austin Division, “Complaint,” *YETI Coolers, LLC v. Alibaba Group Holding Limited, Alibaba (China) Technology Co., Ltd., Alibaba.com Hong Kong Limited, Alibaba.com Singapore E-Commerce Private*

Limited, Hangzhou Alibaba Advertising Co. Ltd., and Huizhou Dashu Trading Co., Ltd., Case: 1:17-cv-00936, Document #1, filed Sep. 28, 2017, 272 pages.

United States District Court Western District of Texas Austin Division, “Complaint,” *YETI Coolers, LLC v. ContextLogic, Inc. d/b/a Wish.com*, Case: 1:17-cv-00937, Document #1, filed Sep. 28, 2017, 238 pages.

United States District Court Western District of Texas Austin Division, “Complaint,” *YETI Coolers, LLC v. Dunhuang Group, SZ Flowerfairy Technology Co., Ltd., Tan Er Pa Technology Co., Ltd., Shenzhen Great Electronic Technology Co., Ltd., and Huagong Trading Co.*, Case: 1:17-cv-00938, Document #1, filed Sep. 28, 2017, 272 pages.

https://www.amazon.com/InGwest-Active-Life-Bamboo-Coffee/dp/B01M8JSU2U/ref=sr_1_fkmmull_1?keywords=InGwest+Active+Life&gid=1553010206&s=gateway&sr=8-1-fkmmull (Year 2016).
https://www.amazon.com/dp/B016AX2Z6C/ref=psdc_602608_t2_B014JZM42I (Year 2015).

United States District Court Western District of Texas Austin Division, “Complaint,” *YETI Coolers, LLC v. 99 Cents Only Stores, LLC and 99 Cents Only Stores Texas, Inc.*, Case: 1:18-cv-00799, Document #1, filed Sep. 18, 2018, 102 pages.

Japan Patent Office Action.

* cited by examiner

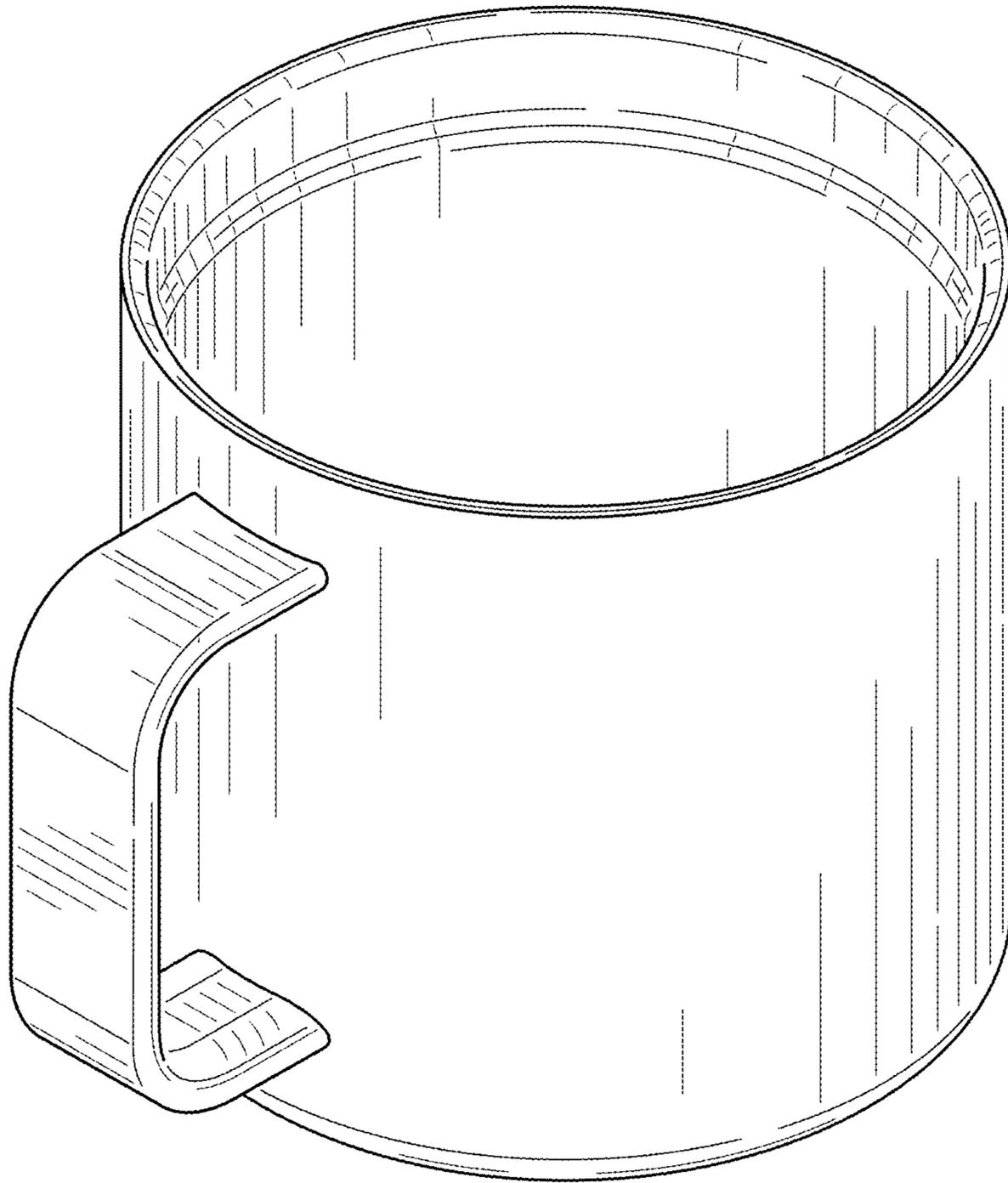


FIG. 1

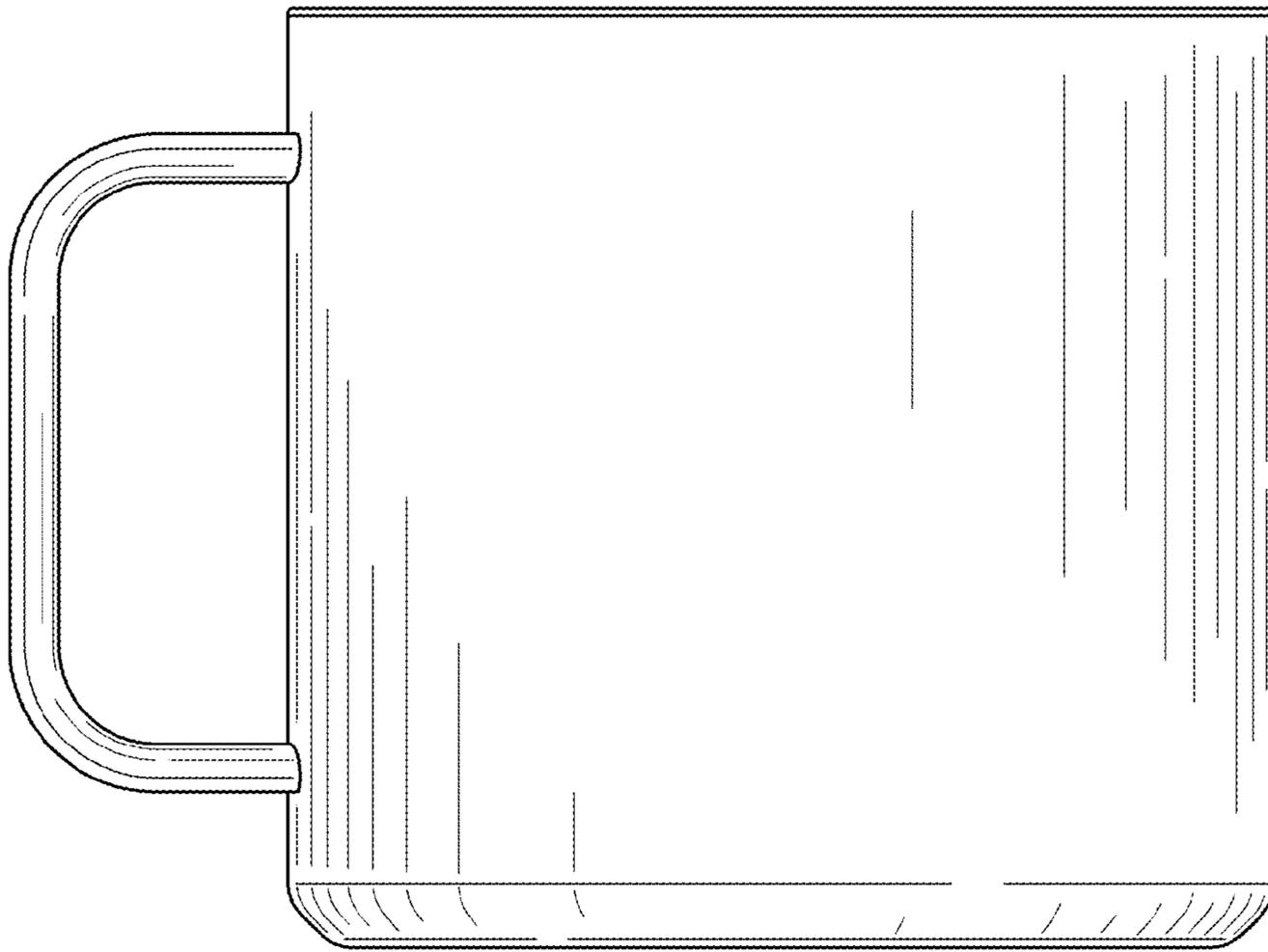


FIG. 2

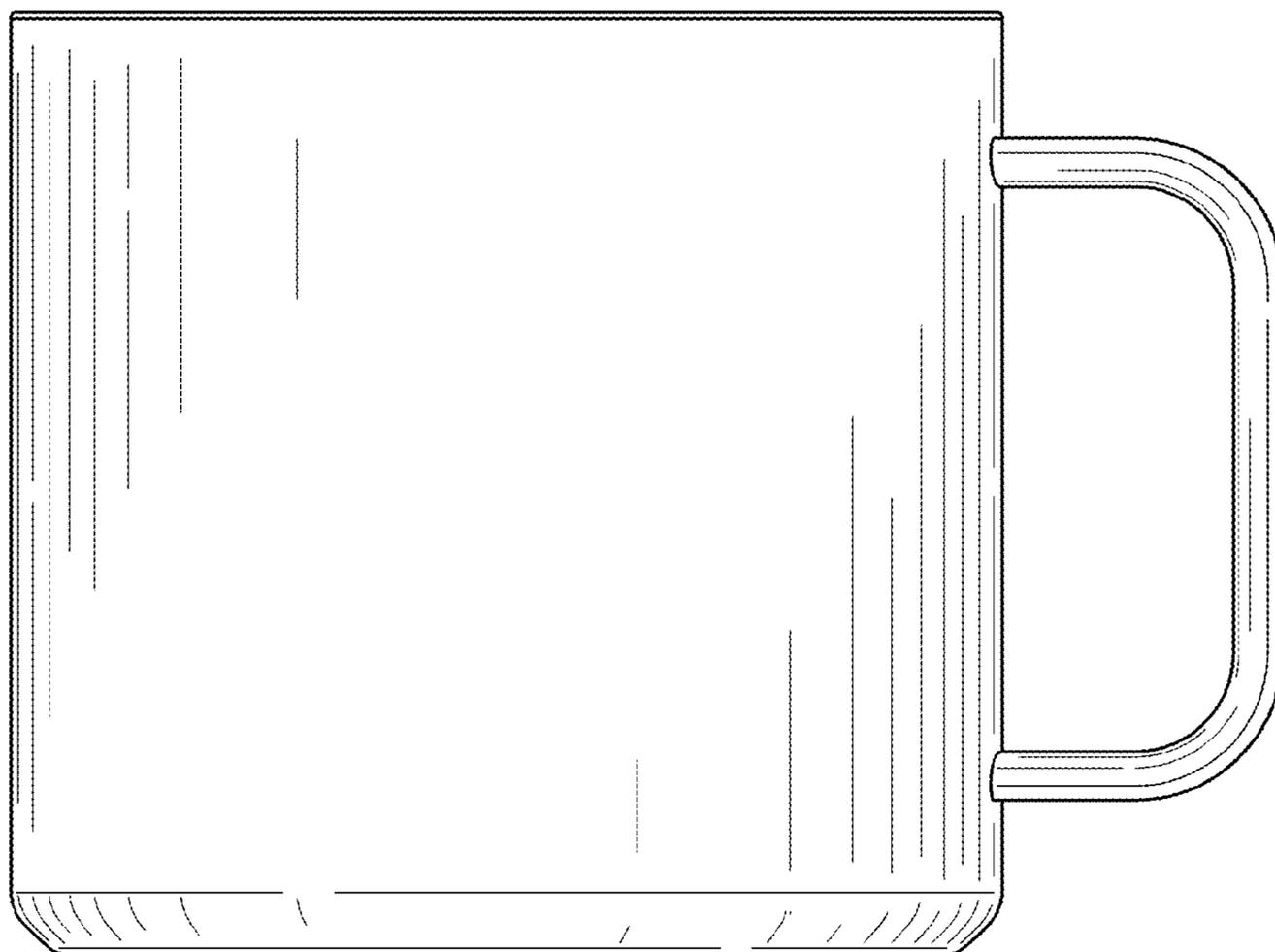


FIG. 3

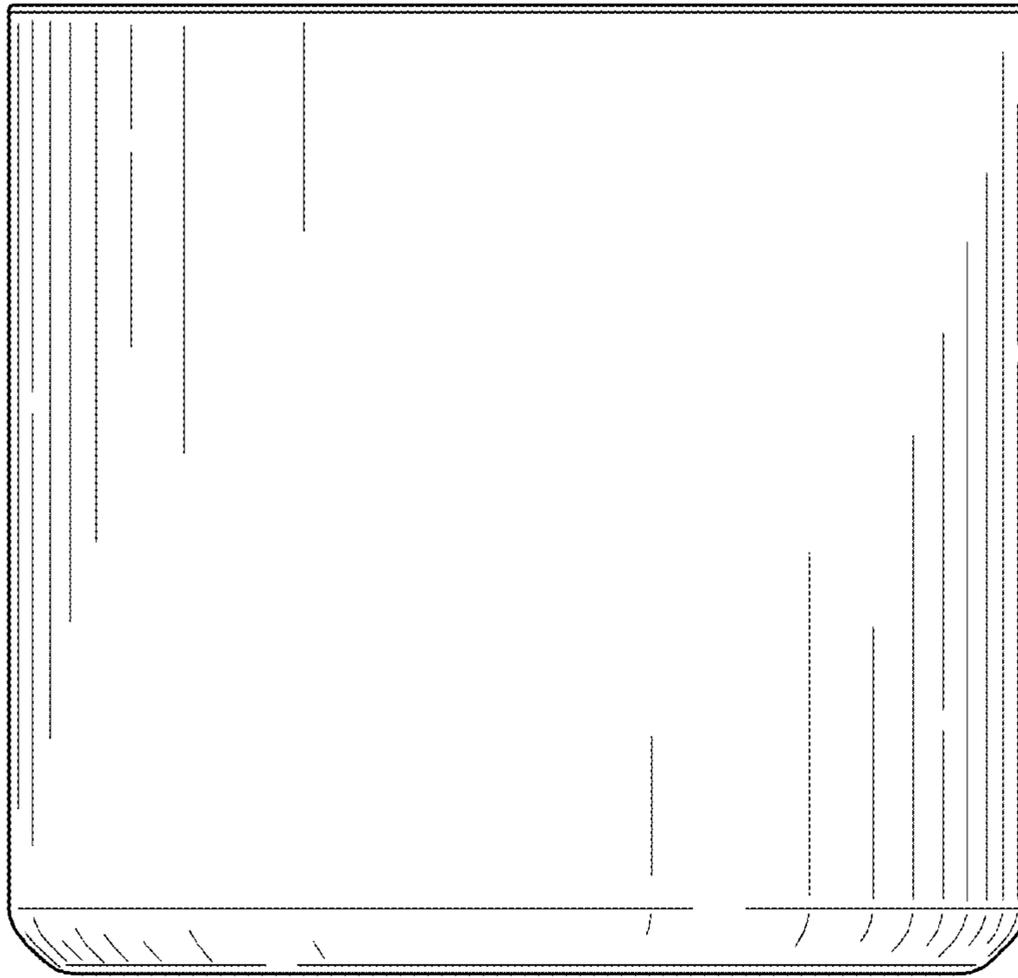


FIG. 4

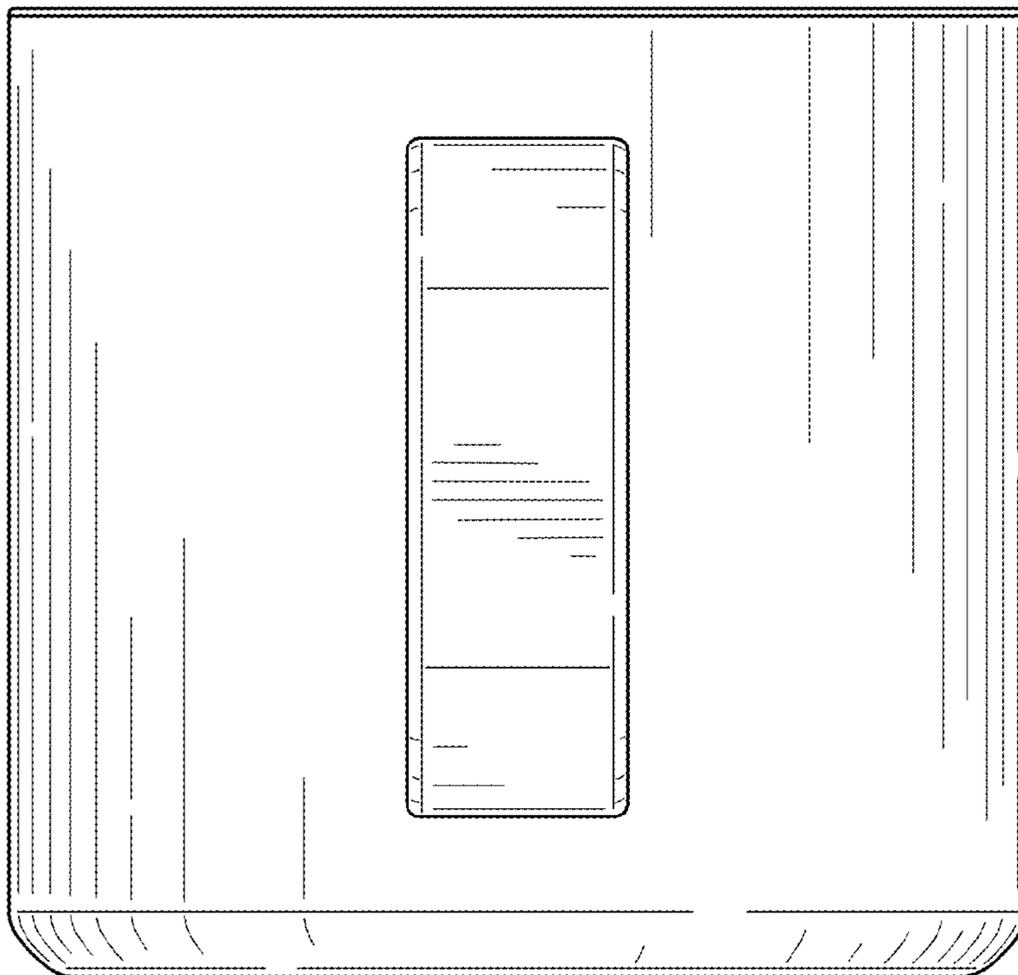


FIG. 5

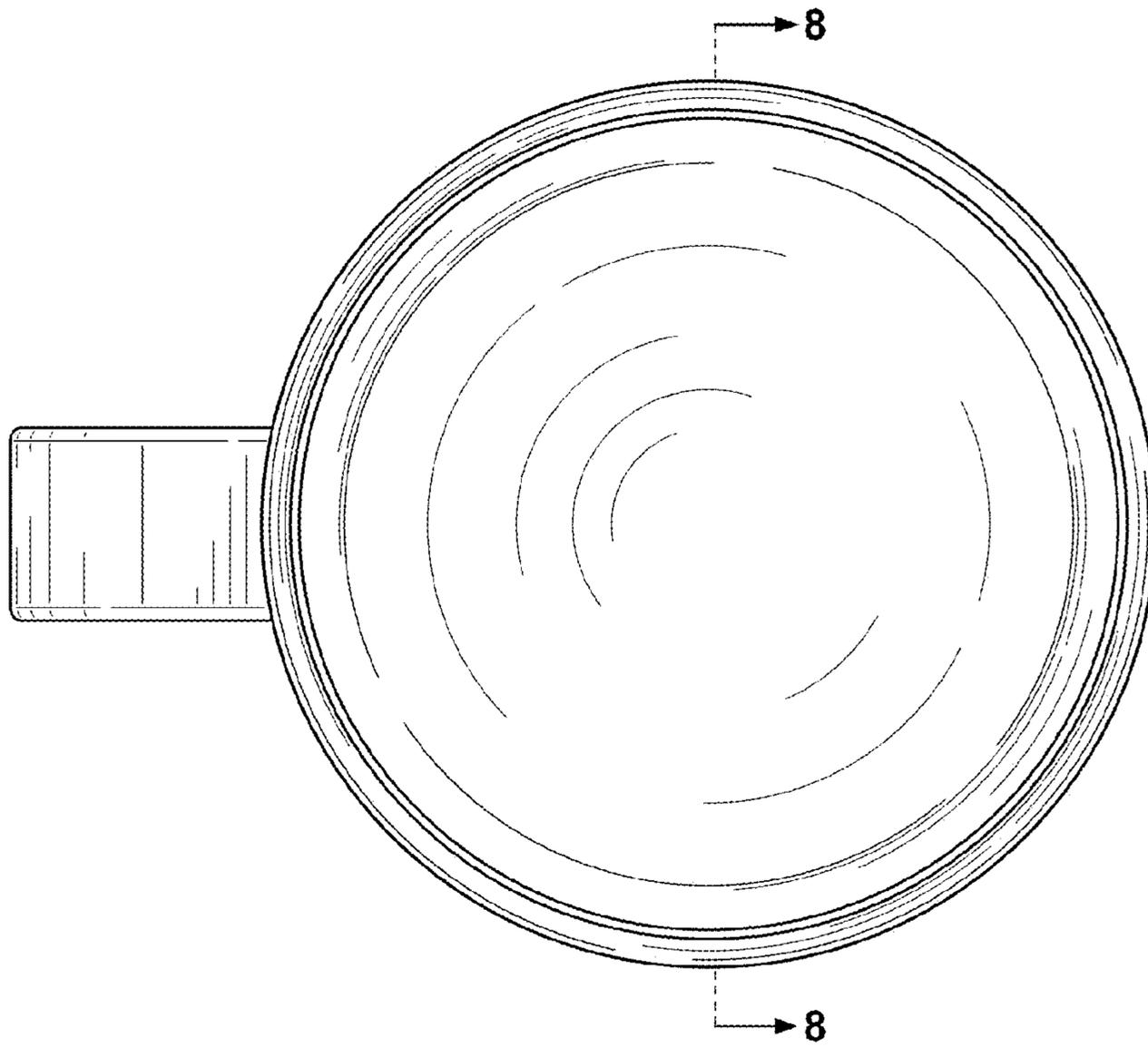


FIG. 6

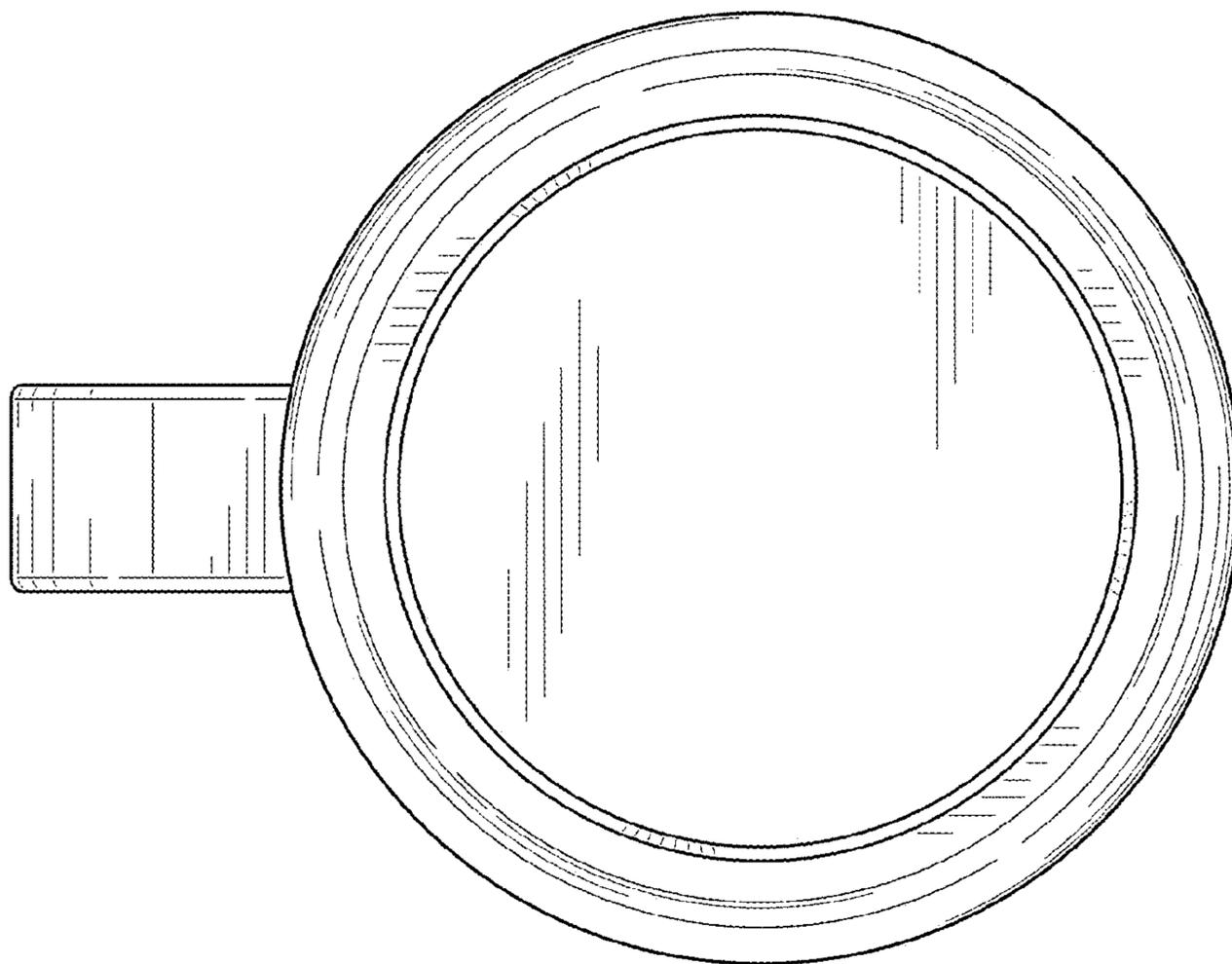


FIG. 7

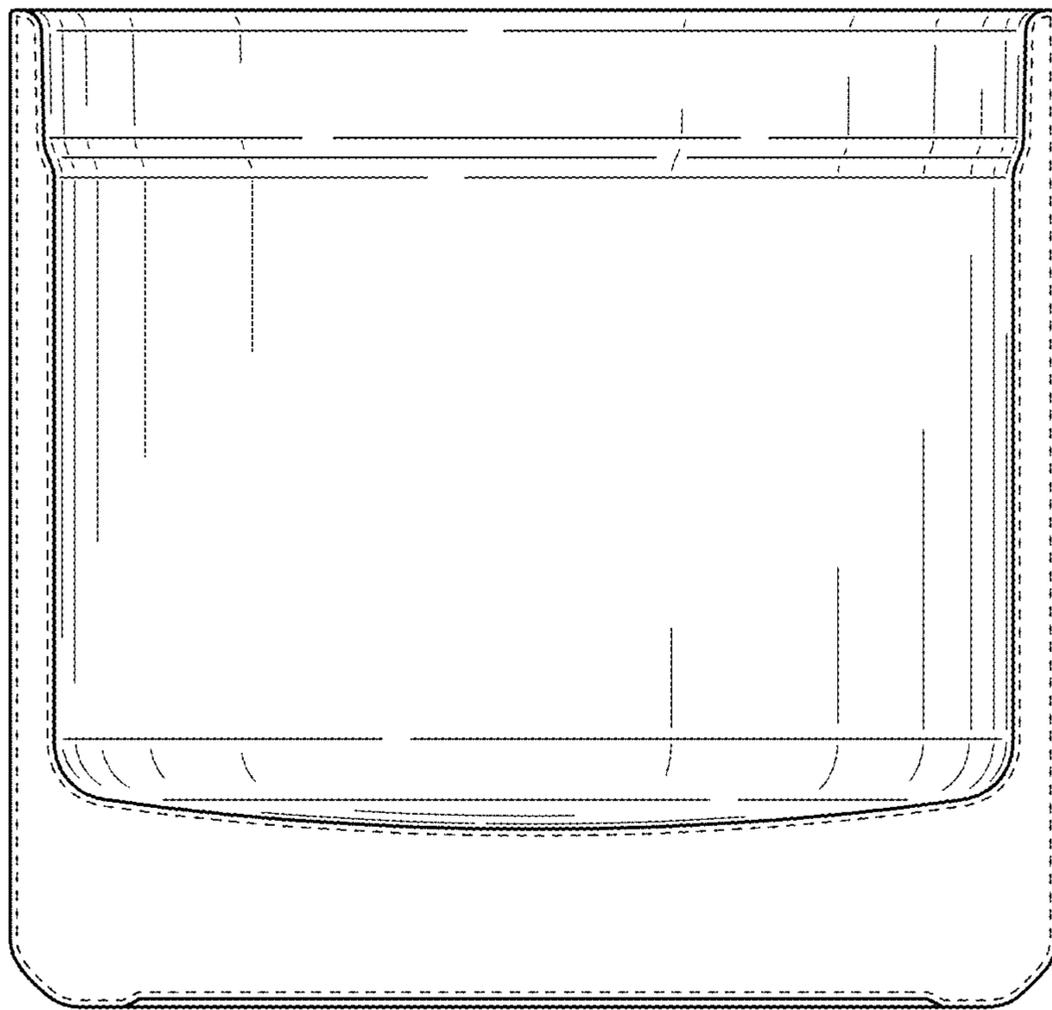


FIG. 8