



US00D882337S

(12) **United States Design Patent**  
**Moon**

(10) **Patent No.:** **US D882,337 S**

(45) **Date of Patent:** **\*\* Apr. 28, 2020**

(54) **HOT AND COLD WATER DISPENSER**

(71) Applicant: **CLOVER CO., LTD.**, Anyang-si,  
Gyeonggido (KR)

(72) Inventor: **Young Mu Moon**, Gunpo-si (KR)

(73) Assignee: **CLOVER CO., LTD.**, Anyang-si,  
Gyeonggi-do (KR)

(\*\*) Term: **15 Years**

(21) Appl. No.: **29/647,923**

(22) Filed: **May 16, 2018**

(30) **Foreign Application Priority Data**

Nov. 23, 2017 (KR) ..... 30-2017-0055031

(51) **LOC (12) Cl.** ..... **07-99**

(52) **U.S. Cl.**  
USPC ..... **D7/397**

(58) **Field of Classification Search**

USPC ..... D7/300, 304-311, 312, 313, 213, 397,  
D7/399, 400; D15/79, 81, 89, 91

CPC ..... A47J 31/00; B67D 1/00; B67D 1/0003;  
B67D 1/0004; B67D 1/0005; F25D  
23/12; F25D 23/126; Y10T 137/00; Y10T  
137/0318; Y10T 137/0379

See application file for complete search history.

(56) **References Cited**

**U.S. PATENT DOCUMENTS**

D309,395 S \* 7/1990 Thompson ..... D7/311  
D367,797 S \* 3/1996 Hauser, II ..... D7/306  
D408,207 S \* 4/1999 Bourke ..... D7/300  
D426,418 S \* 6/2000 Norvell ..... D7/300  
6,912,867 B2 \* 7/2005 Busick ..... B67D 3/0009  
62/338

D643,666 S \* 8/2011 Yui ..... D7/307  
D643,667 S \* 8/2011 Yui ..... D7/307  
D714,580 S \* 10/2014 Moon ..... D7/307  
D716,093 S \* 10/2014 Jakeman ..... D7/306  
D778,096 S \* 2/2017 Broen ..... D7/305  
D789,142 S \* 6/2017 Broen ..... D7/307  
D795,629 S \* 8/2017 Ullman ..... D7/306  
D838,529 S \* 1/2019 Gnadinger ..... D7/307

\* cited by examiner

*Primary Examiner* — Derrick E Holland

*Assistant Examiner* — Andrew Kerr

(74) *Attorney, Agent, or Firm* — Revolution IP, PLLC

(57) **CLAIM**

The ornamental design for a hot and cold water dispenser, as shown and described.

**DESCRIPTION**

FIG. 1 is a perspective view of a hot and cold water dispenser showing the claimed design;

FIG. 2 is a front view thereof;

FIG. 3 is a rear view thereof;

FIG. 4 is a left side view thereof;

FIG. 5 is a right side view thereof;

FIG. 6 is a top view thereof;

FIG. 7 is a bottom view thereof;

FIG. 8 depicts an enlarged detail view of portion 8 shown in FIG. 1; and,

FIG. 9 depicts an enlarged detail view of portion 9 shown in FIG. 1.

The evenly-spaced broken lines in the drawing views depict portions of a hot and cold water dispenser and form no part of the claimed design.

The dot-dash broken lines framing portions of the claimed design that are illustrated in enlargements form no part of the claimed design.

**1 Claim, 8 Drawing Sheets**

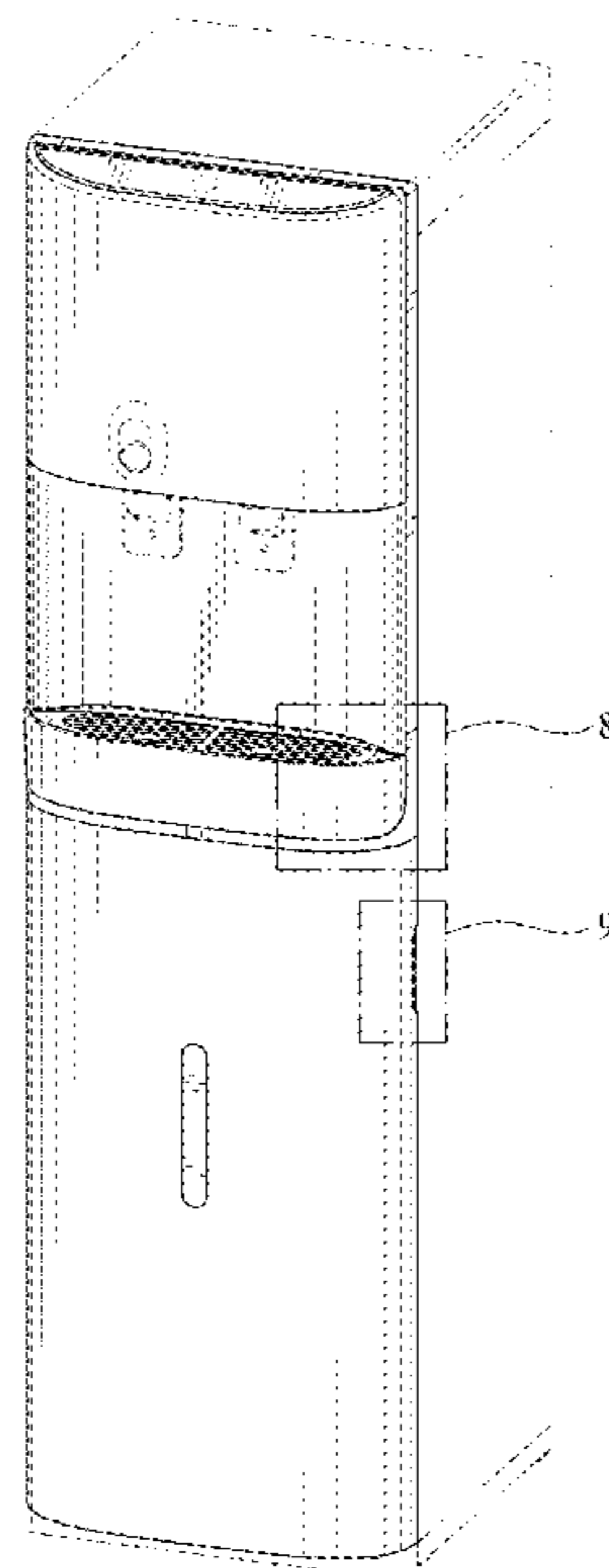


FIG. 1

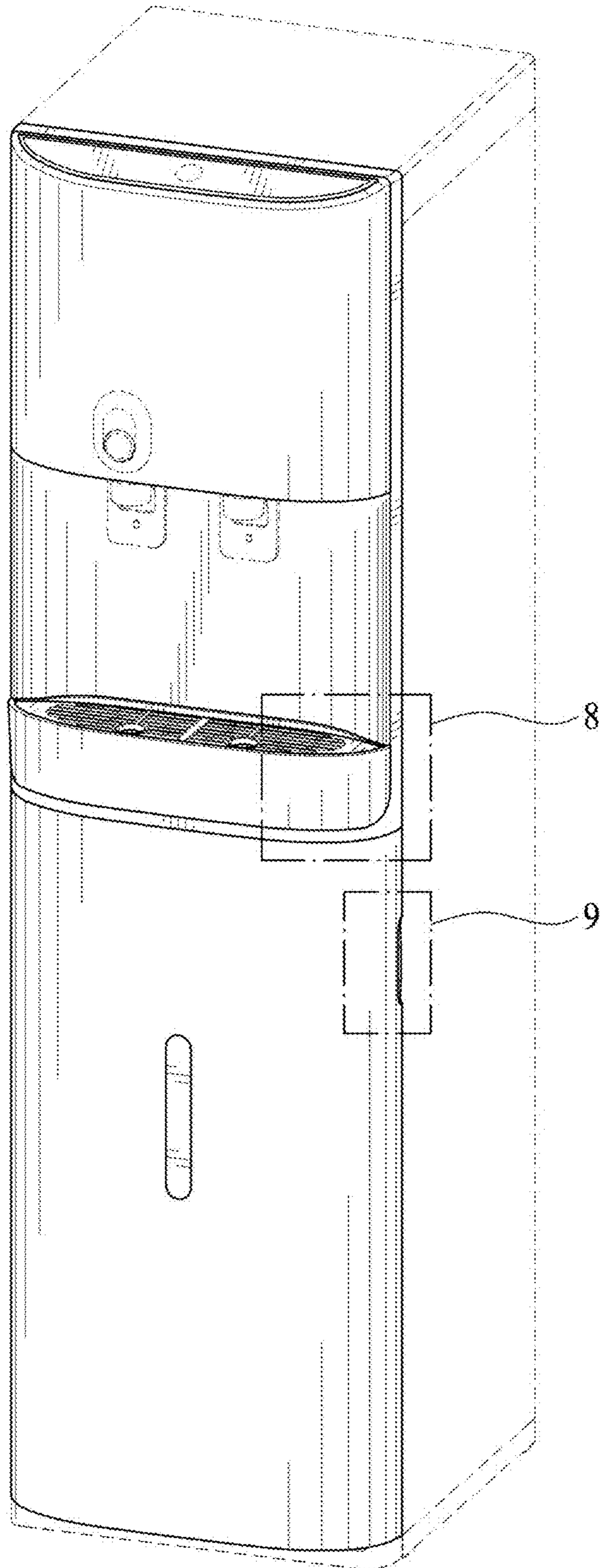


FIG. 2

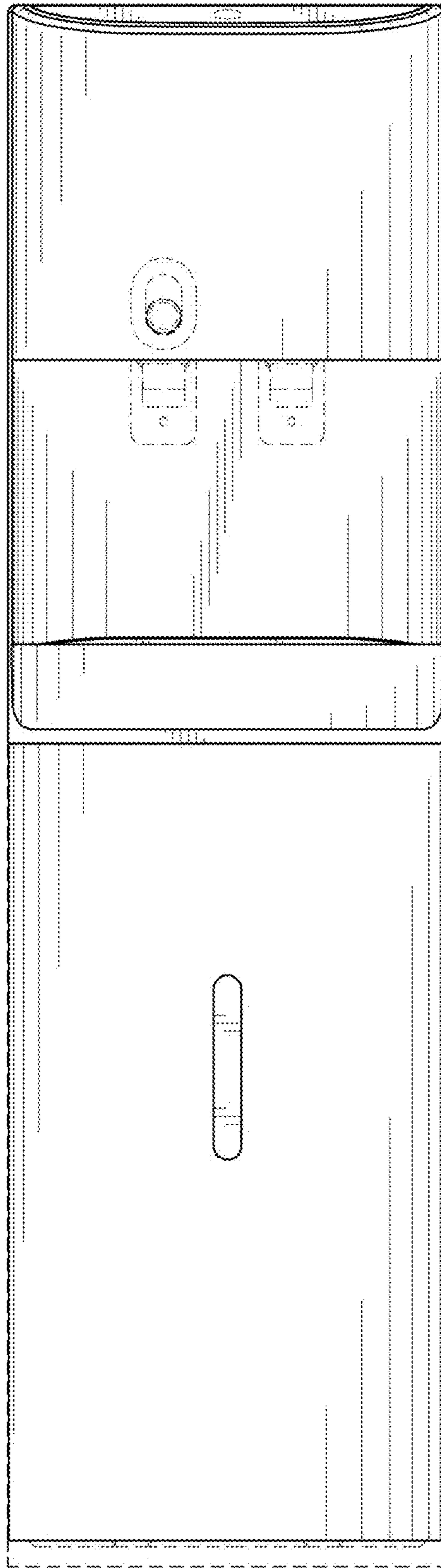


FIG. 3

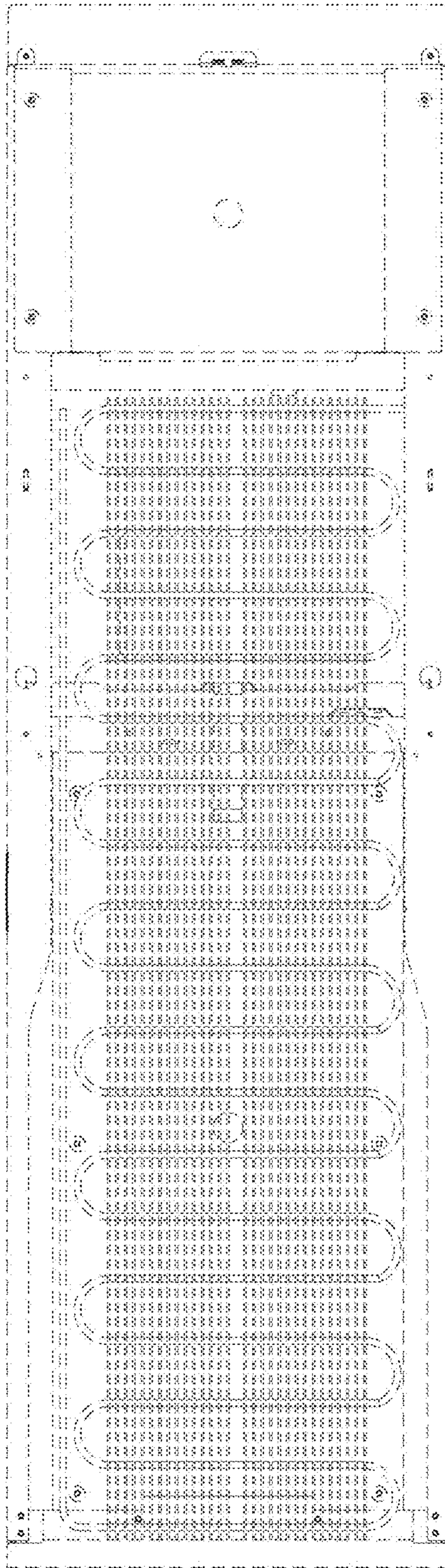


FIG. 4

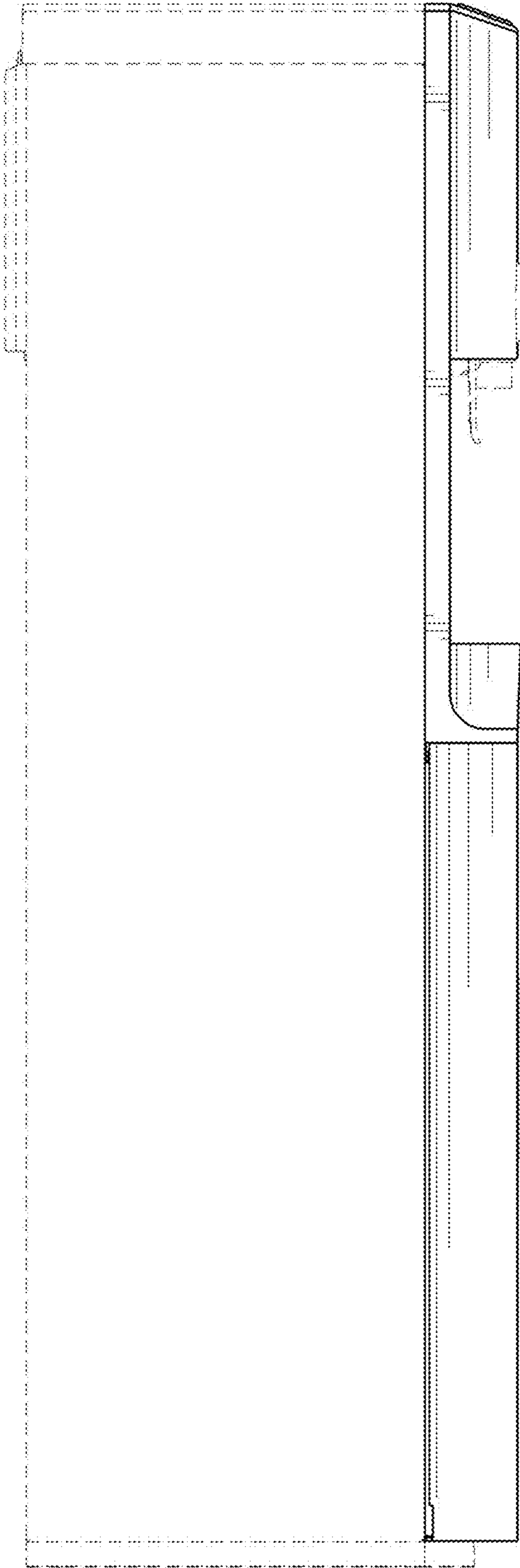


FIG. 5

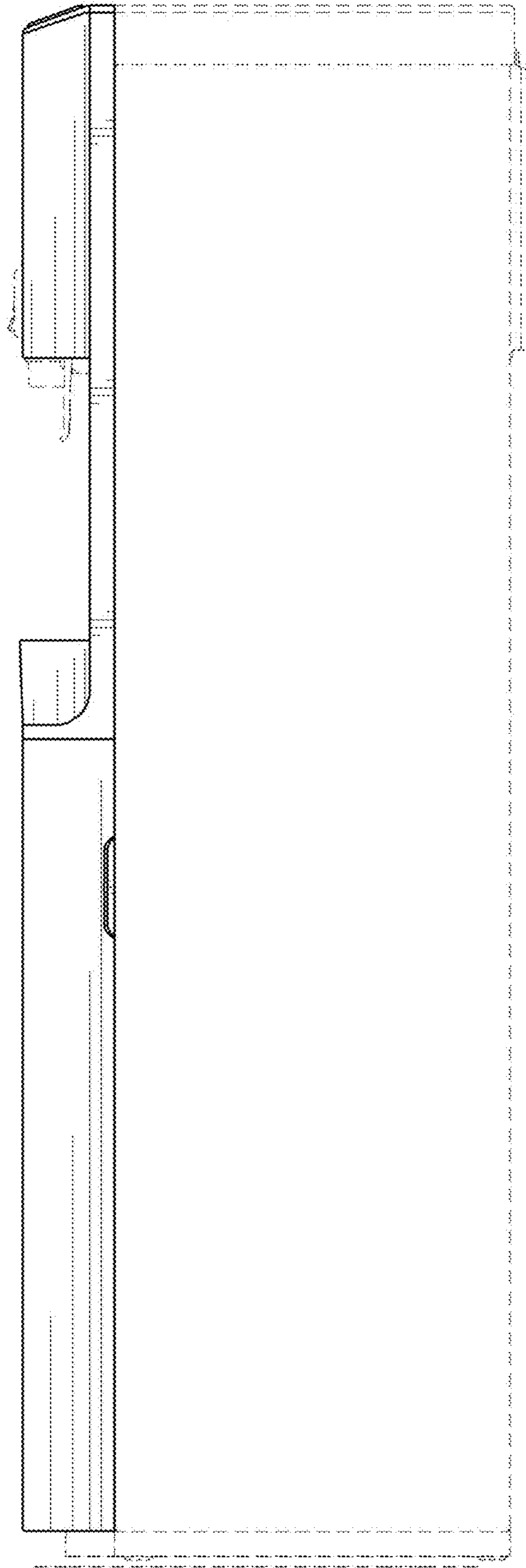


FIG. 6

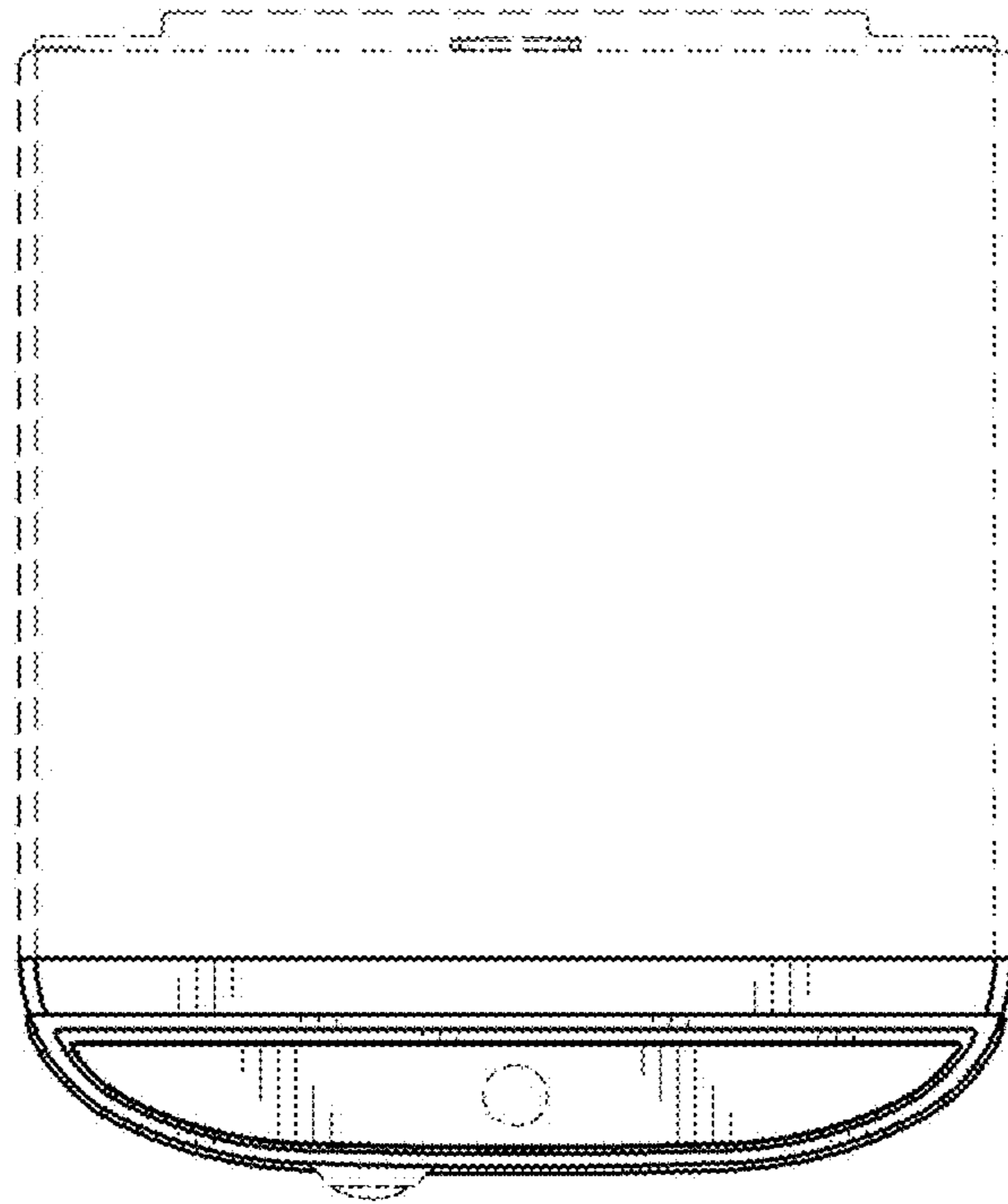


FIG. 7

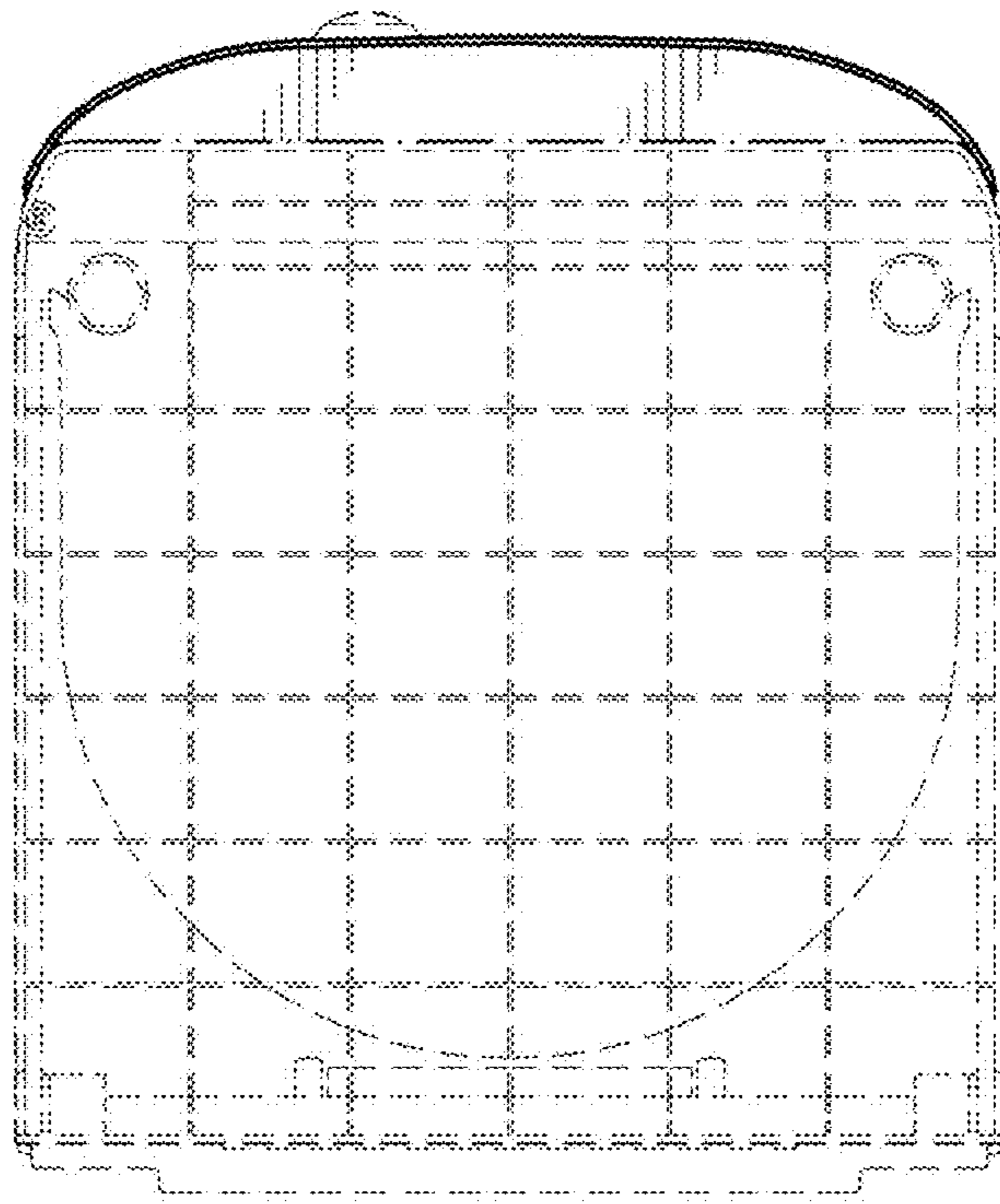


FIG. 8

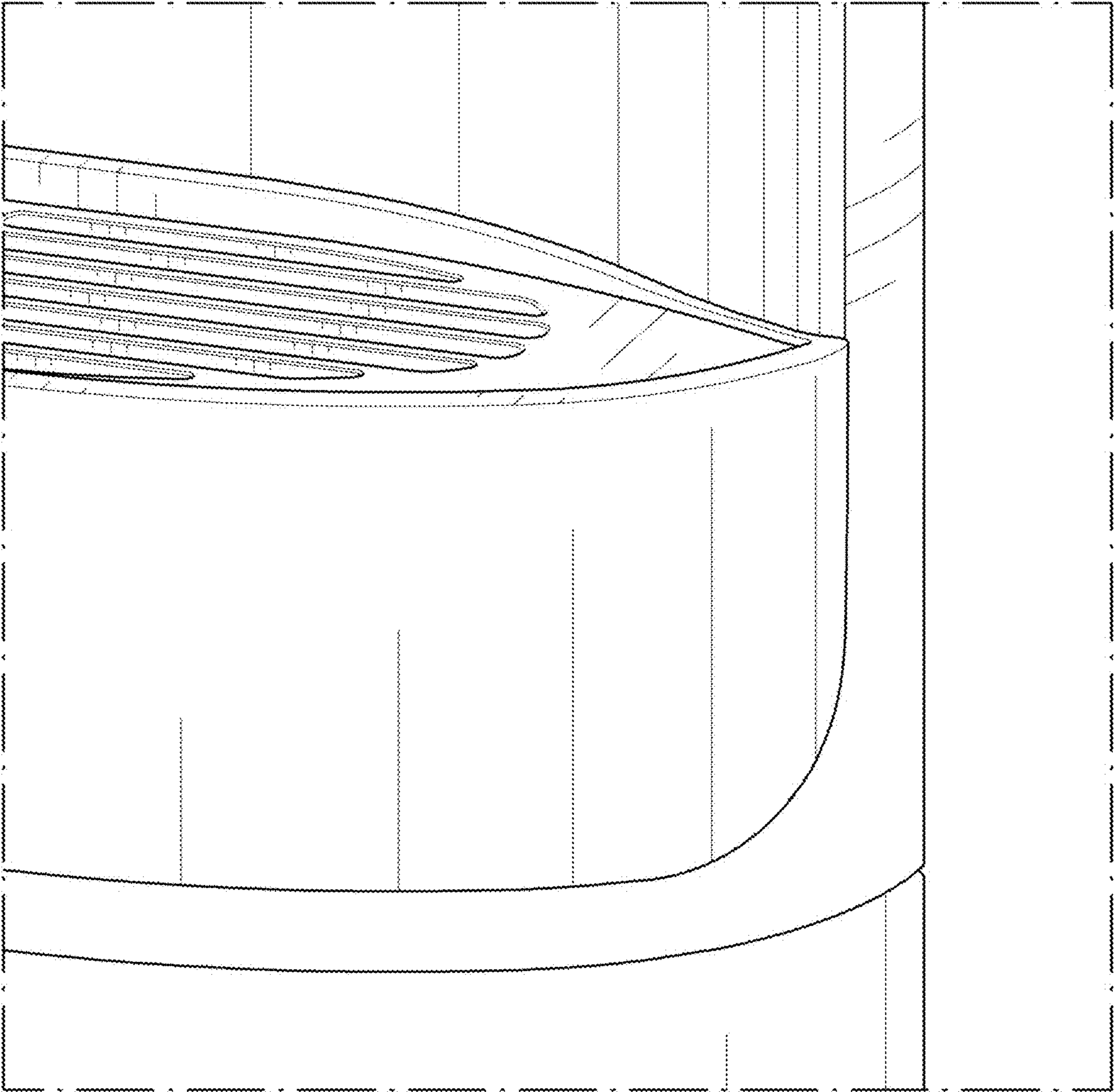




FIG. 9

