



US00D882336S

(12) **United States Design Patent** (10) **Patent No.:** **US D882,336 S**
Cauwood et al. (45) **Date of Patent:** **** Apr. 28, 2020**

- (54) **BEVERAGE MACHINE**
- (71) Applicant: **Keurig Green Mountain, Inc.**,
Waterbury, VT (US)
- (72) Inventors: **Peter David Cauwood**, Cambridge
(GB); **Iain James Sabberton**,
Cambridge (GB); **Matthew John
Maitland**, Cambridge (GB); **Keith Paul
Thompson**, Cambridge (GB)
- (73) Assignee: **Keurig Green Mountain, Inc.**,
Burlington, MA (US)
- (**) Term: **15 Years**
- (21) Appl. No.: **29/635,997**
- (22) Filed: **Feb. 5, 2018**
- (51) **LOC (12) Cl.** **07-01**
- (52) **U.S. Cl.**
USPC **D7/397**; D7/399
- (58) **Field of Classification Search**
USPC D7/300, 309-311, 306-308, 305, 397,
D7/355, 362, 365, 367, 399; 222/146.6,
222/185.1, 135; 99/295, 273, 304, 288,
99/279, 307, 283
CPC A47J 31/02; A47J 31/407; A47J 31/50;
A47J 31/18; A47J 31/061; A47J 27/04;
A47J 31/0573; A47J 31/52; A47J
31/3633; Y10T 74/18296
See application file for complete search history.

(56) **References Cited**
U.S. PATENT DOCUMENTS

D209,126 S *	10/1967	Martin	D7/309
D239,758 S *	5/1976	Claxton	D7/309
D299,608 S *	1/1989	Knochner	D7/309
D300,596 S *	4/1989	Eugster	D7/309
5,251,541 A *	10/1993	Anson	A47J 31/4403 99/280

D343,758 S *	2/1994	Beeren	D7/309
D356,923 S *	4/1995	Reinardy	D7/309
D432,849 S *	10/2000	Brady	D7/309
D462,226 S *	9/2002	Williamson	D7/309
D481,902 S	11/2003	O'Connor et al.		
D497,278 S *	10/2004	Picozza	D7/309
D498,110 S *	11/2004	Picozza	D7/309
D502,841 S *	3/2005	Santer	D7/309
D511,066 S *	11/2005	Garner	D7/309
D546,112 S *	7/2007	Rorke	D7/309
D550,499 S *	9/2007	Argabrite	D7/309
7,347,138 B2	3/2008	Bragg et al.		
D580,208 S *	11/2008	Cheng	D7/306
D586,171 S *	2/2009	Picozza	D7/306
D590,652 S *	4/2009	Cesaroni	D7/309
D677,510 S	3/2013	Tetreault		

(Continued)

Primary Examiner — Marianne N Pandozzi
(74) *Attorney, Agent, or Firm* — Wolf, Greenfield &
Sacks, P.C.

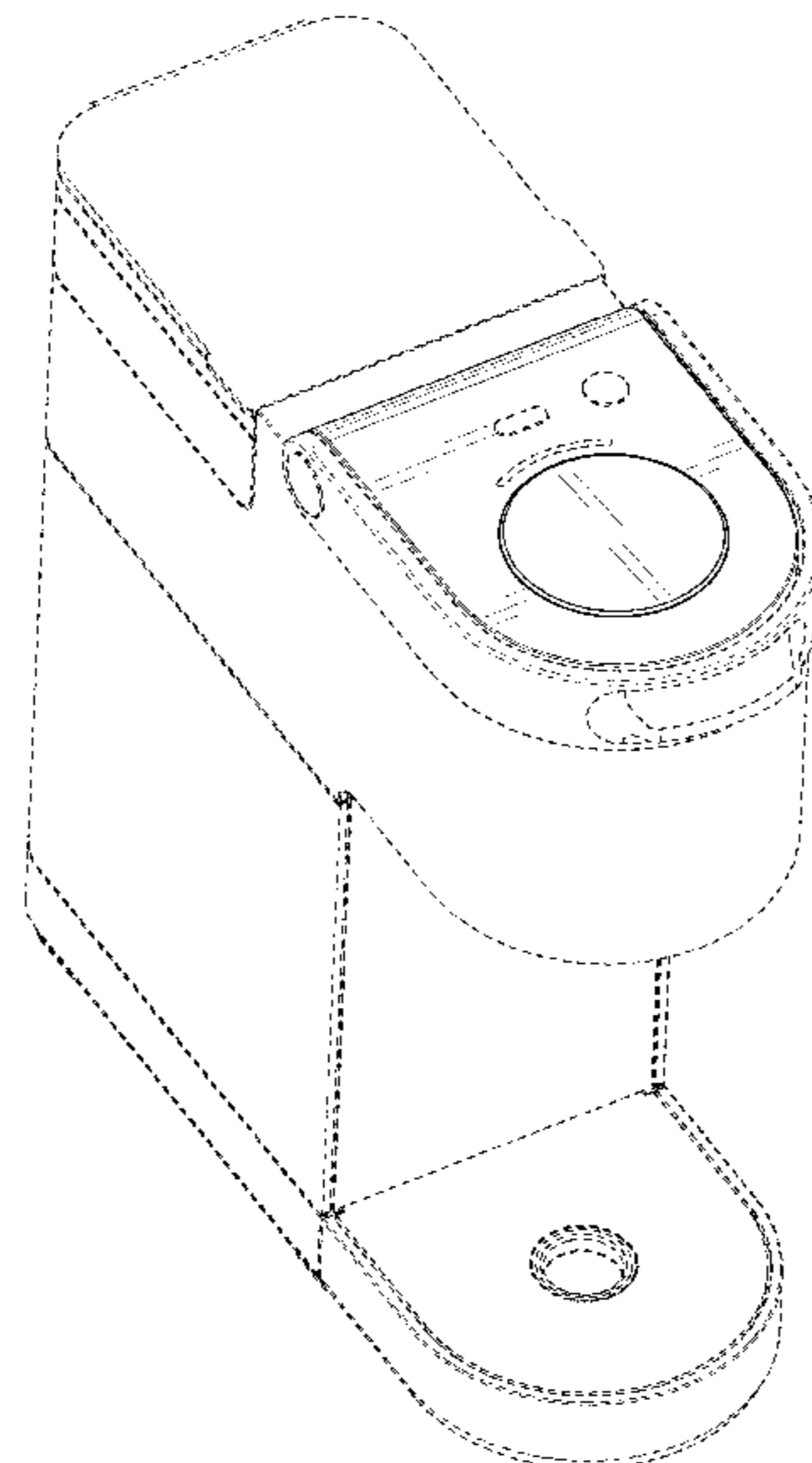
(57) **CLAIM**

The ornamental design for a beverage machine, as shown and described.

DESCRIPTION

FIG. 1 is a top, front, left side perspective view of a beverage machine showing our new design;
FIG. 2 is a top, front, right side perspective view thereof;
FIG. 3 is a front elevation view thereof;
FIG. 4 is a rear elevation view thereof;
FIG. 5 is a left side elevation view thereof;
FIG. 6 is a right side elevation view thereof;
FIG. 7 is a top plan view thereof; and,
FIG. 8 is a bottom plan view thereof.
The short dash-long dash broken lines illustrate boundaries of the claimed design and form no part of the claimed design. The dash-dash broken lines illustrate portions of the beverage machine that form no part of the claimed design.

1 Claim, 8 Drawing Sheets



(56)

References Cited

U.S. PATENT DOCUMENTS

D719,776 S	*	12/2014	Kunz	D7/309
D721,531 S	*	1/2015	Krasne	D7/309
D728,986 S	*	5/2015	De'Longhi	D7/309
D730,674 S	*	6/2015	De'Longhi	D7/309
D735,515 S	*	8/2015	Fusco	D7/306
D739,677 S	*	9/2015	Du	D7/309
D742,680 S	*	11/2015	Burrows	D7/309
D742,687 S	*	11/2015	Kunz	D7/309
D823,041 S	*	7/2018	Bazzicalupo	D7/309
D849,464 S	*	5/2019	McConnell	D7/310
D856,058 S	*	8/2019	Szabo	D7/306

* cited by examiner

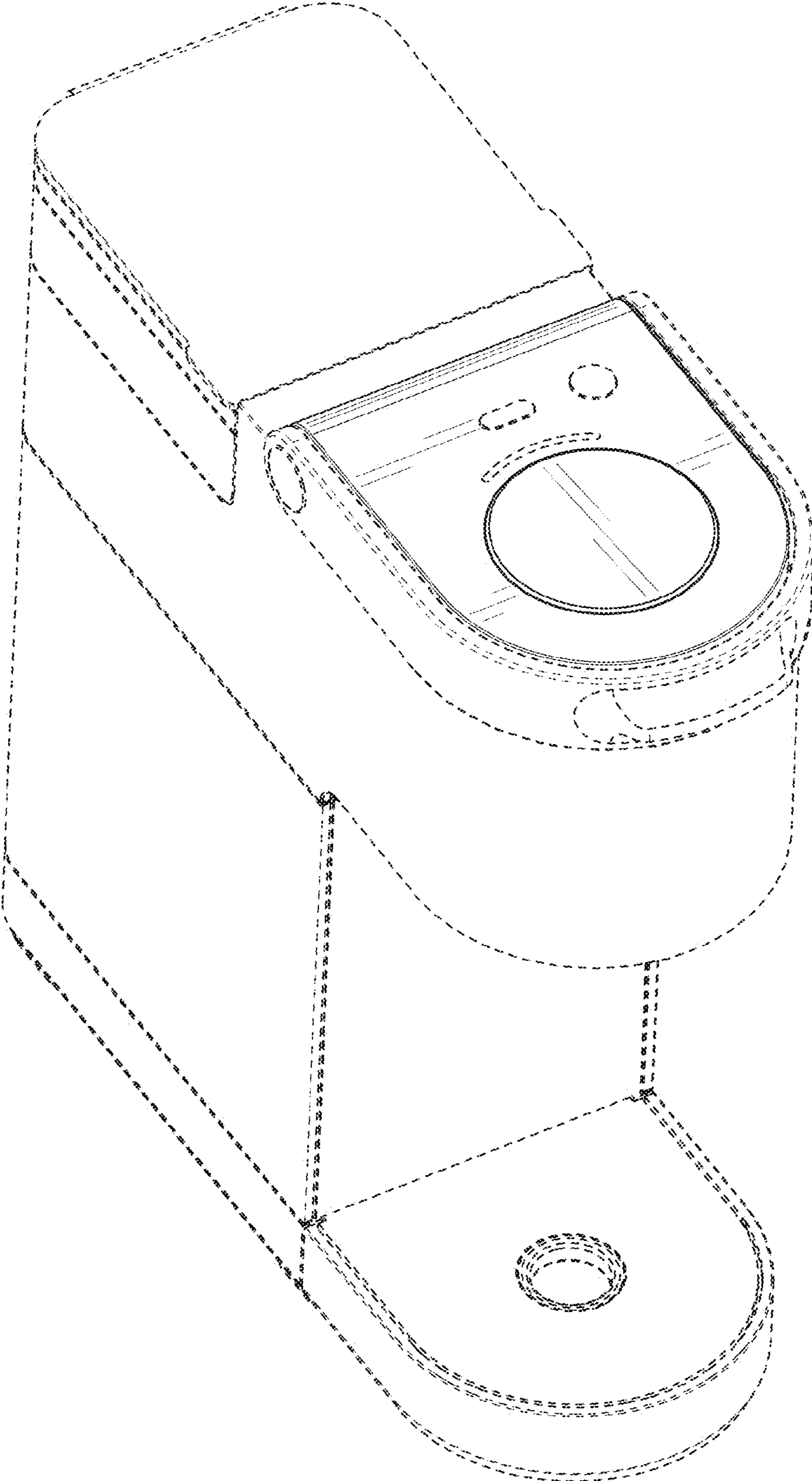


FIG. 1

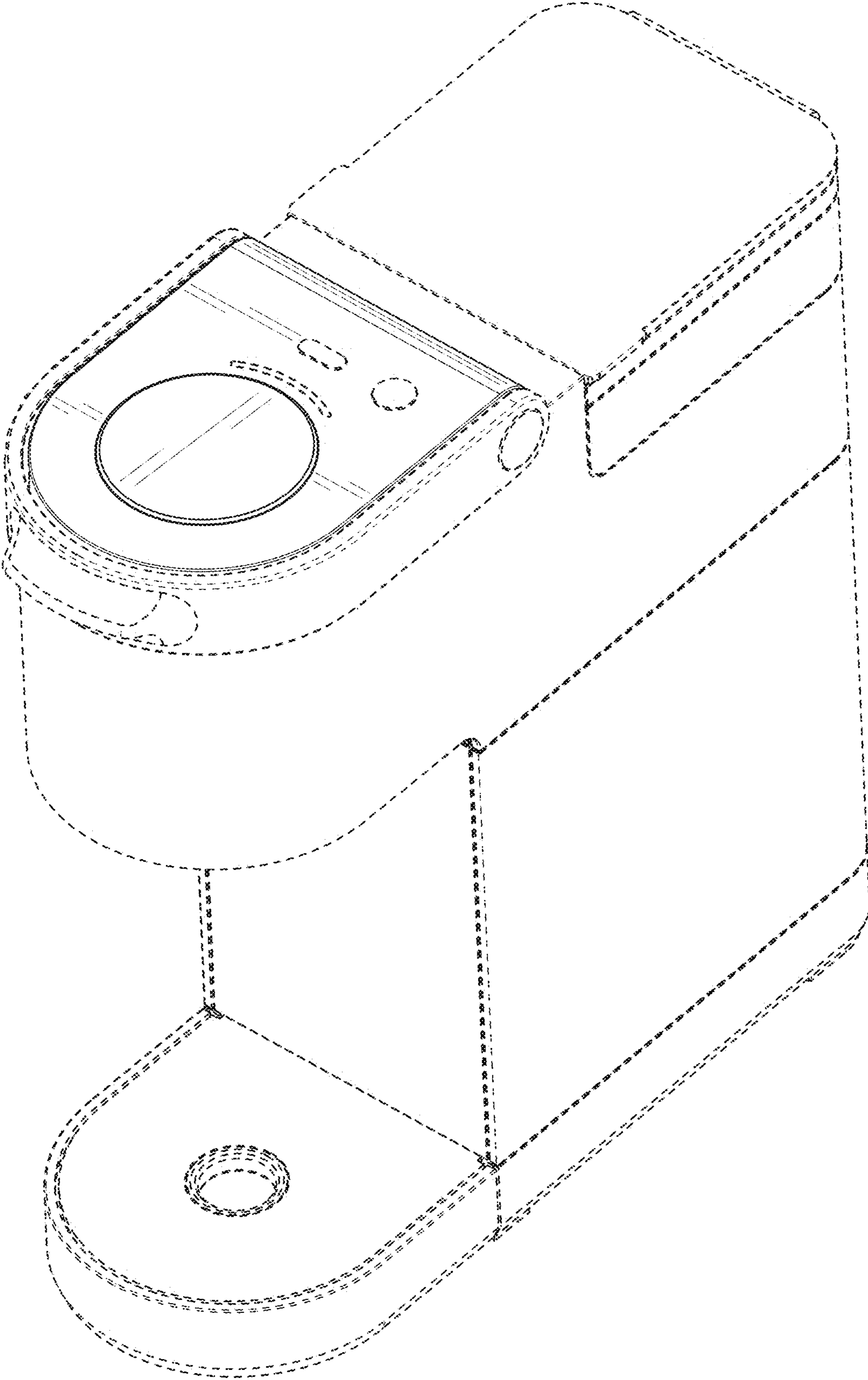


FIG. 2

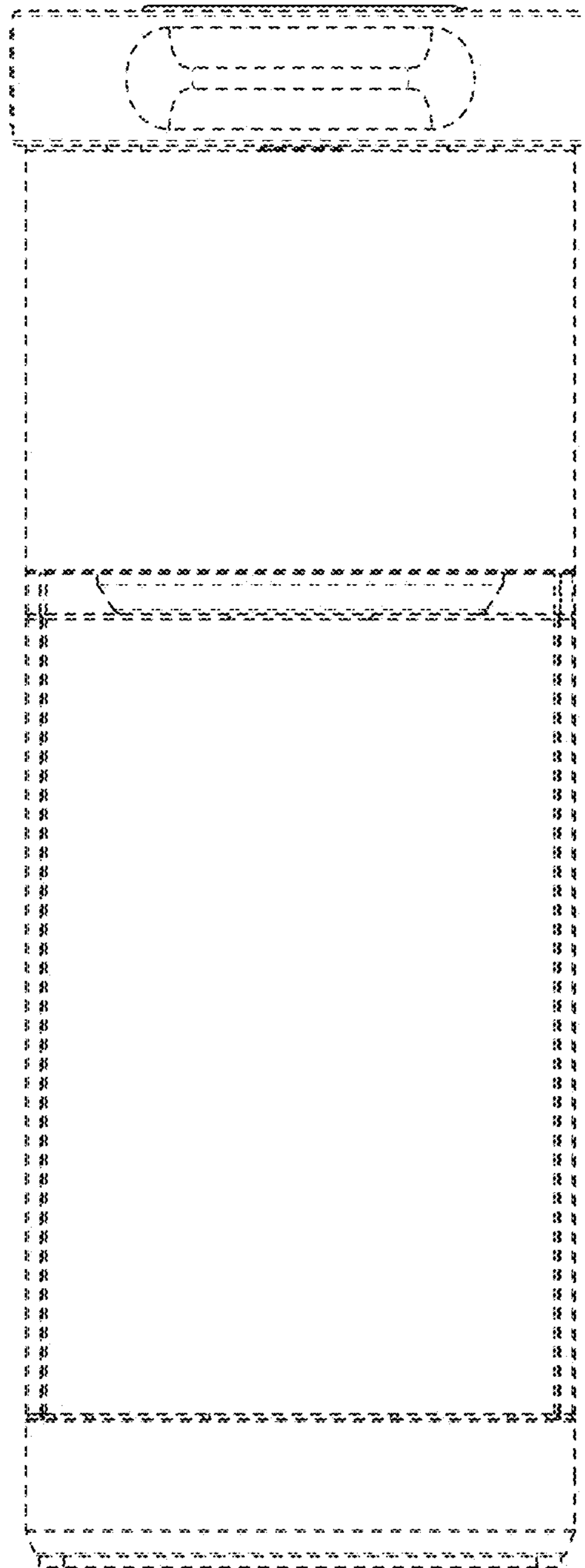


FIG. 3

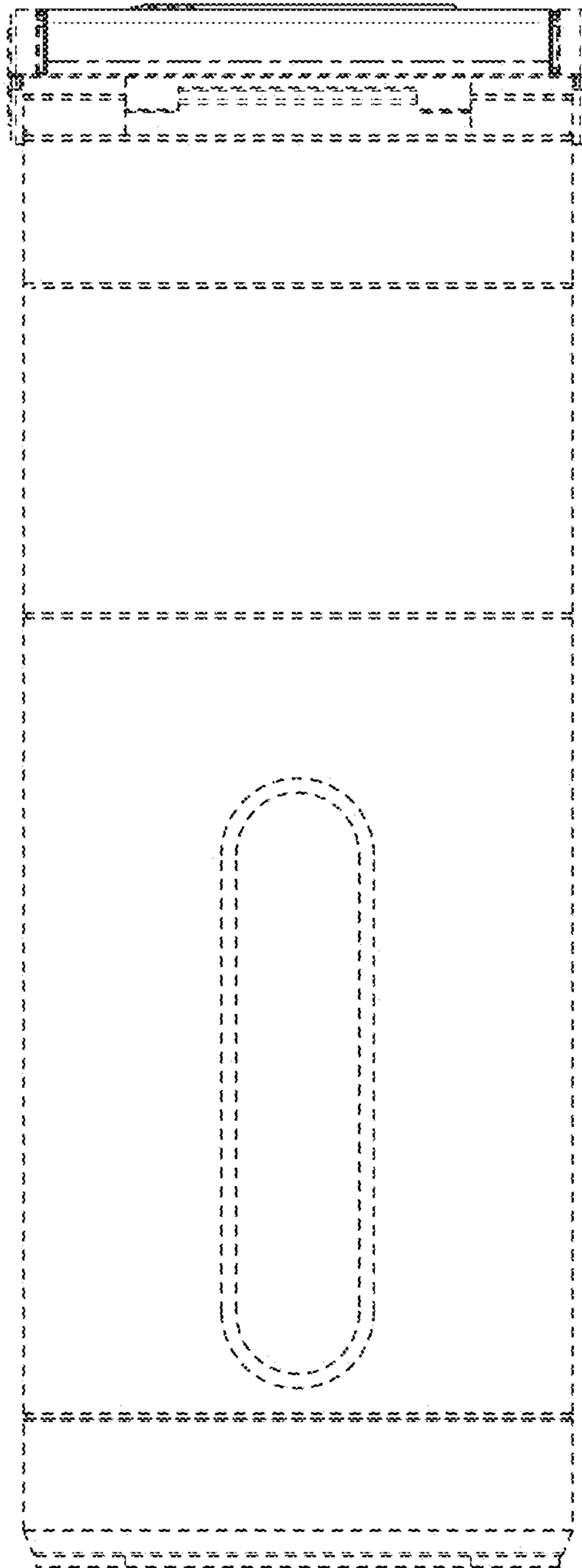


FIG. 4

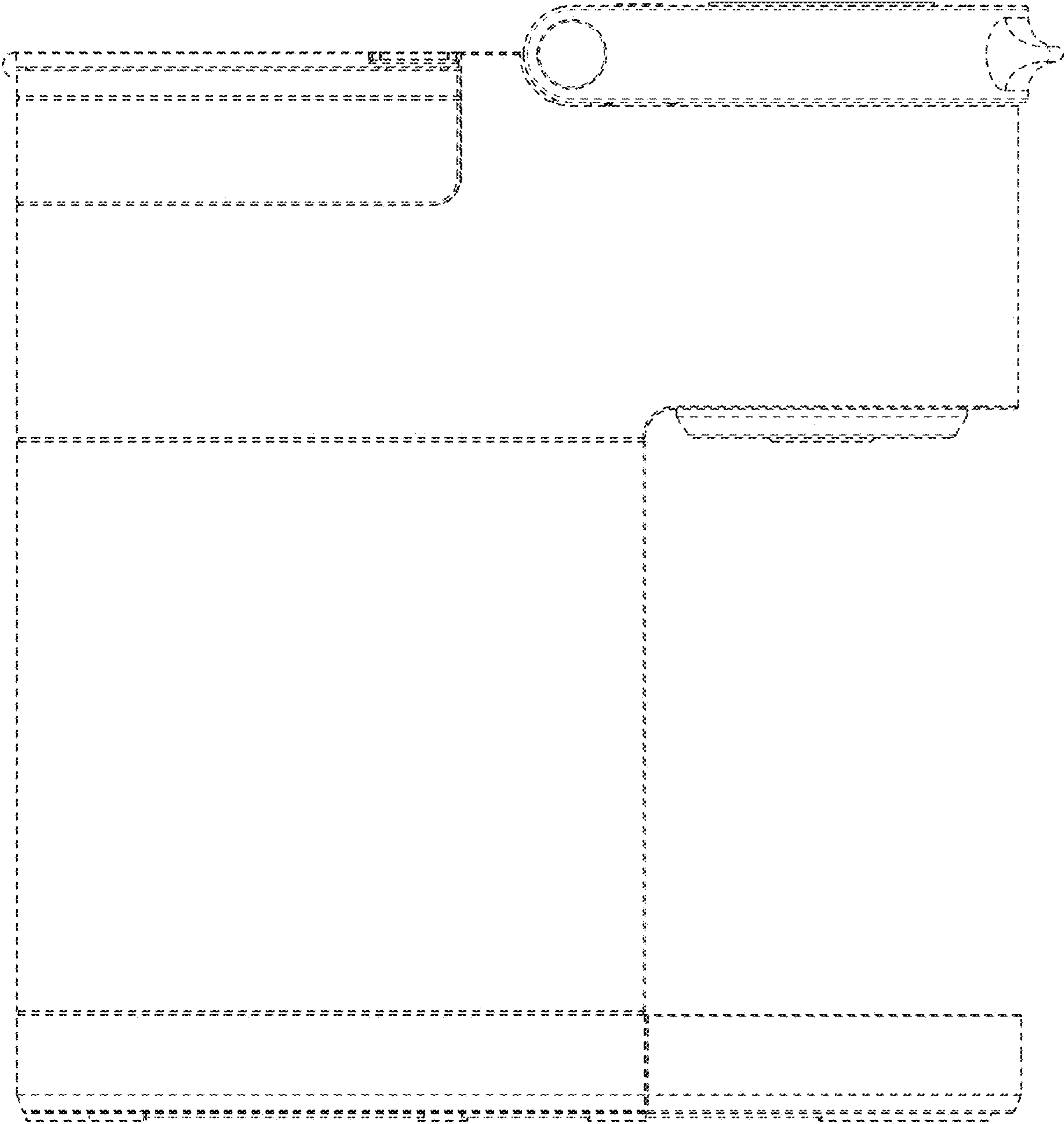


FIG. 5

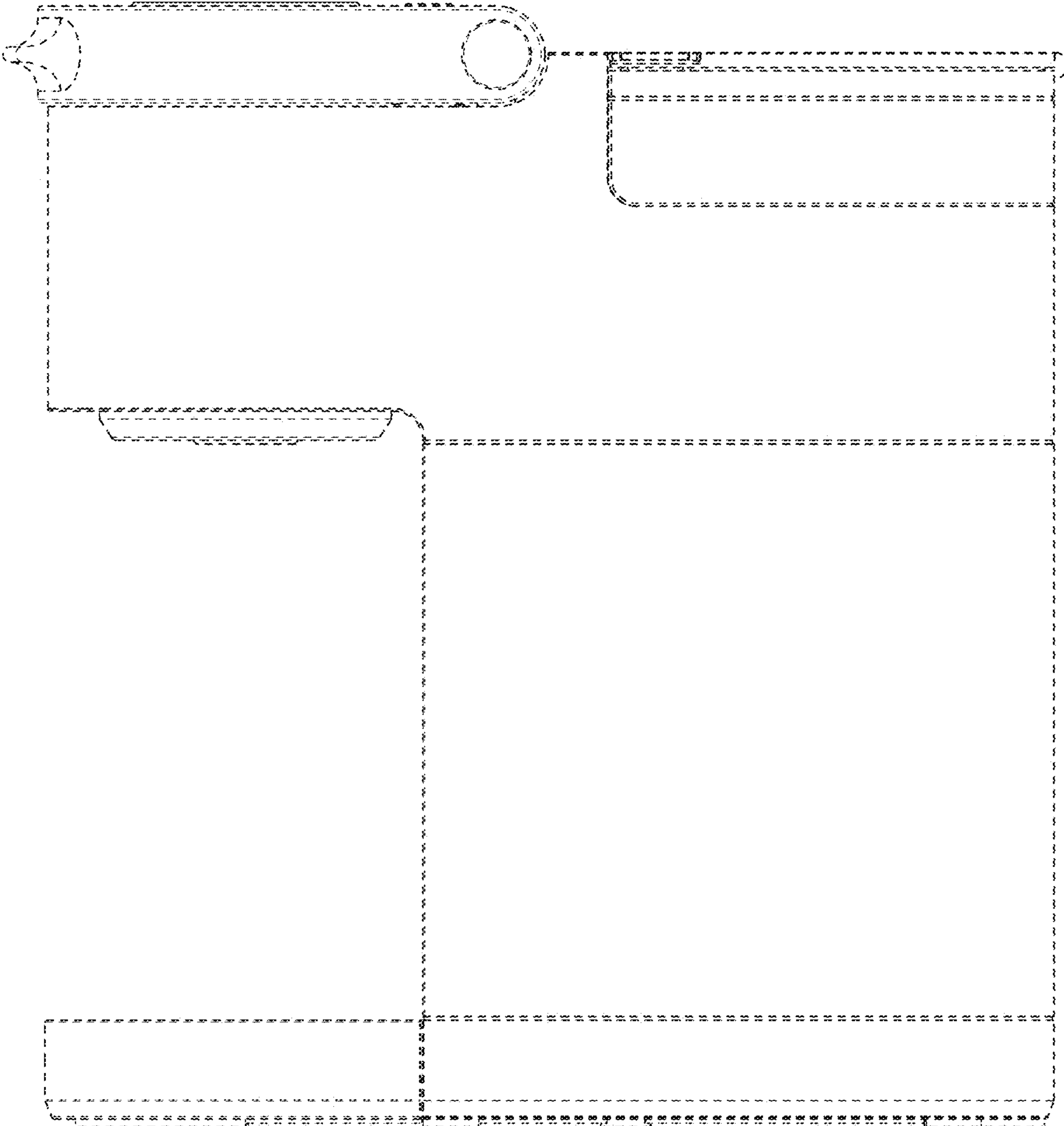


FIG. 6

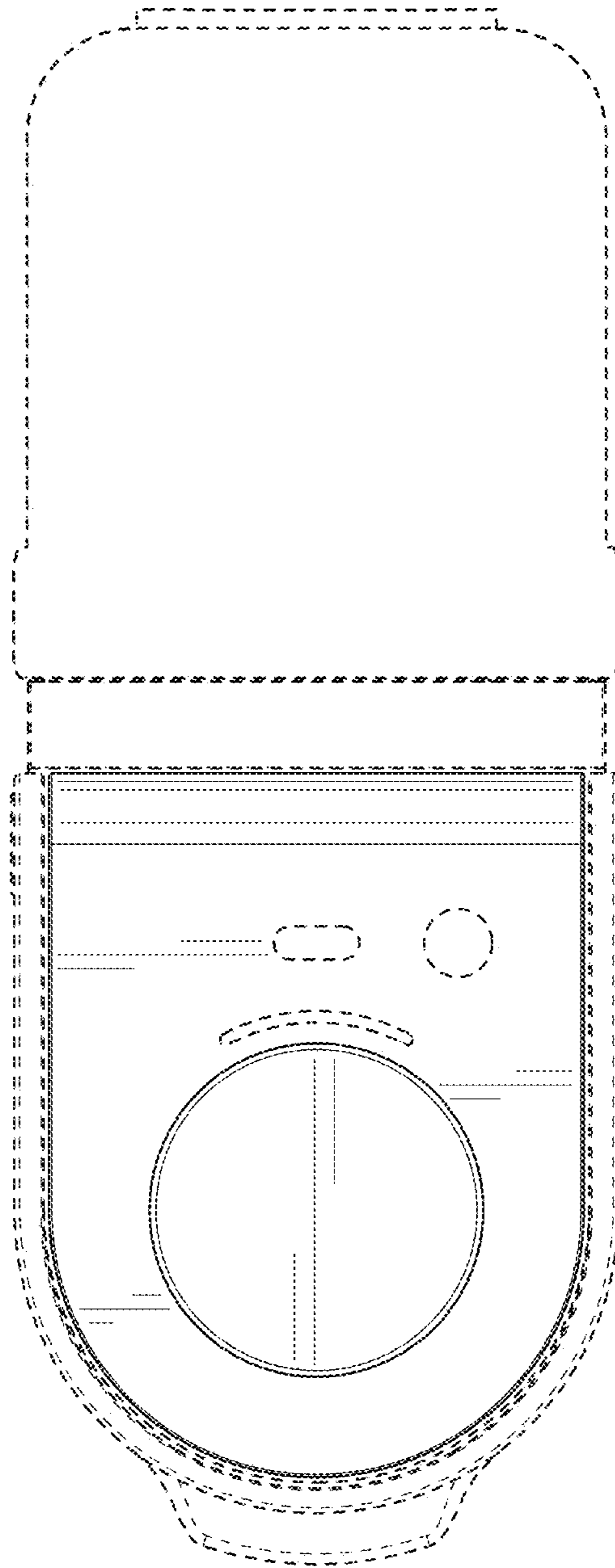


FIG. 7

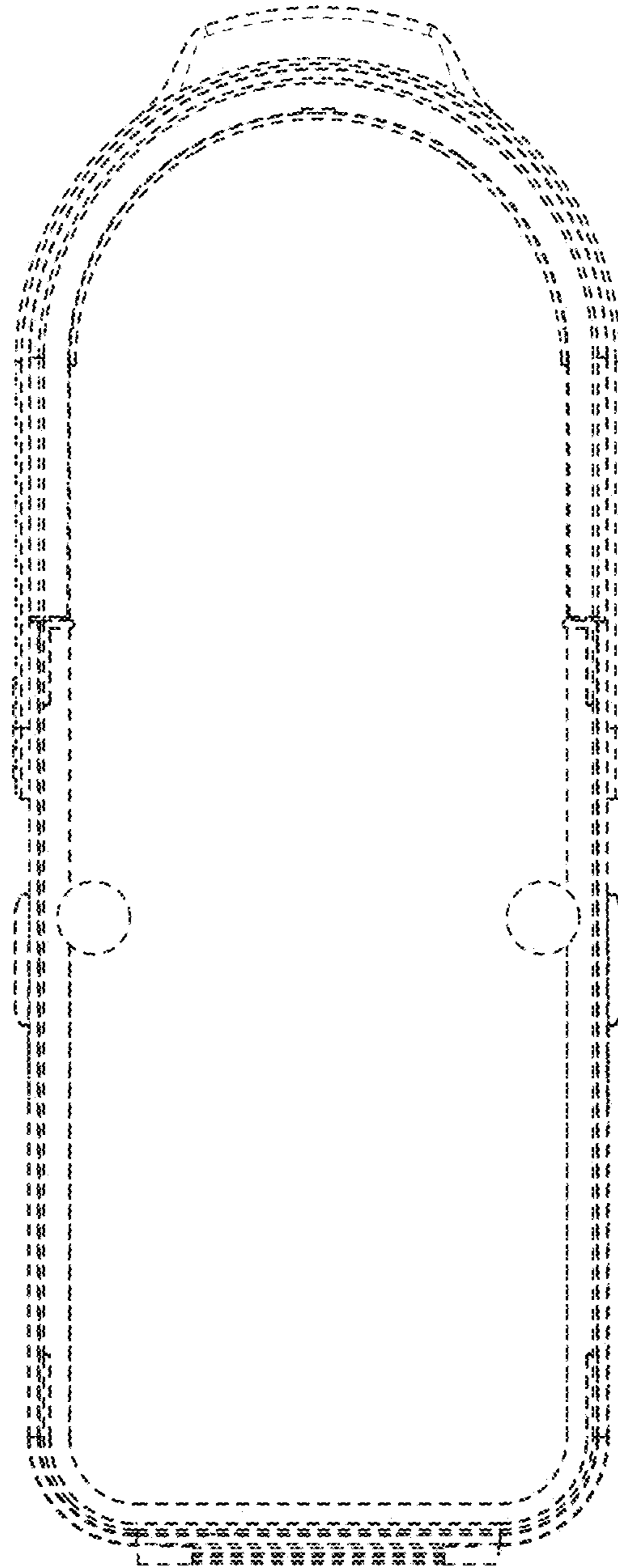


FIG. 8