



US00D882335S

(12) **United States Design Patent**
Lane et al.

(10) **Patent No.:** **US D882,335 S**
(45) **Date of Patent:** **** Apr. 28, 2020**

(54) **LID FOR BEVERAGE CONTAINER**

(71) Applicant: **THERMOS L.L.C.**, Schaumburg, IL (US)

(72) Inventors: **Marvin Lane**, Wheeling, IL (US);
Dwayne Boroski, Lake in the Hills, IL (US); **Jennifer Bae Park**, Chicago, IL (US)

(73) Assignee: **Thermos L.L.C.**, Schaumburg, IL (US)

(**) Term: **15 Years**

(21) Appl. No.: **29/688,943**

(22) Filed: **Apr. 25, 2019**

Related U.S. Application Data

(62) Division of application No. 29/643,668, filed on Apr. 10, 2018.

(51) **LOC (12) Cl.** **07-99**

(52) **U.S. Cl.**
USPC **D7/396.2**

(58) **Field of Classification Search**
USPC D7/509–511, 523, 300, 312, 314, 321,
D7/387, 391, 392, 396.1, 396.2, 397;
D9/516, 434, 435, 559
CPC A47G 19/22; A47G 19/2205; A47G
19/2288; A45F 3/16; B65D 41/04; B65D
43/02; B65D 47/066; A47J 43/27
See application file for complete search history.

(56) **References Cited**

U.S. PATENT DOCUMENTS

D611,296 S * 3/2010 Ingman D7/392.1
D714,584 S * 10/2014 Boroski D7/392

D801,111 S * 10/2017 Eyal D7/392.1
D807,110 S * 1/2018 Lown D7/391
D816,397 S * 5/2018 Karl, IV D7/392.1
D817,084 S * 5/2018 Hammer D7/392.1
D817,085 S * 5/2018 Davis D7/392.1
D820,635 S * 6/2018 Hammer D7/392.1
D830,783 S * 10/2018 Diener D7/608
D831,414 S * 10/2018 Diener D7/392
D840,747 S * 2/2019 Joseph D7/391
D852,577 S * 7/2019 Markey D7/396.2
2017/0129665 A1 * 5/2017 Rolfes B65D 51/2821

* cited by examiner

Primary Examiner — Derrick E Holland

Assistant Examiner — Andrew Kerr

(74) *Attorney, Agent, or Firm* — Polsinelli PC

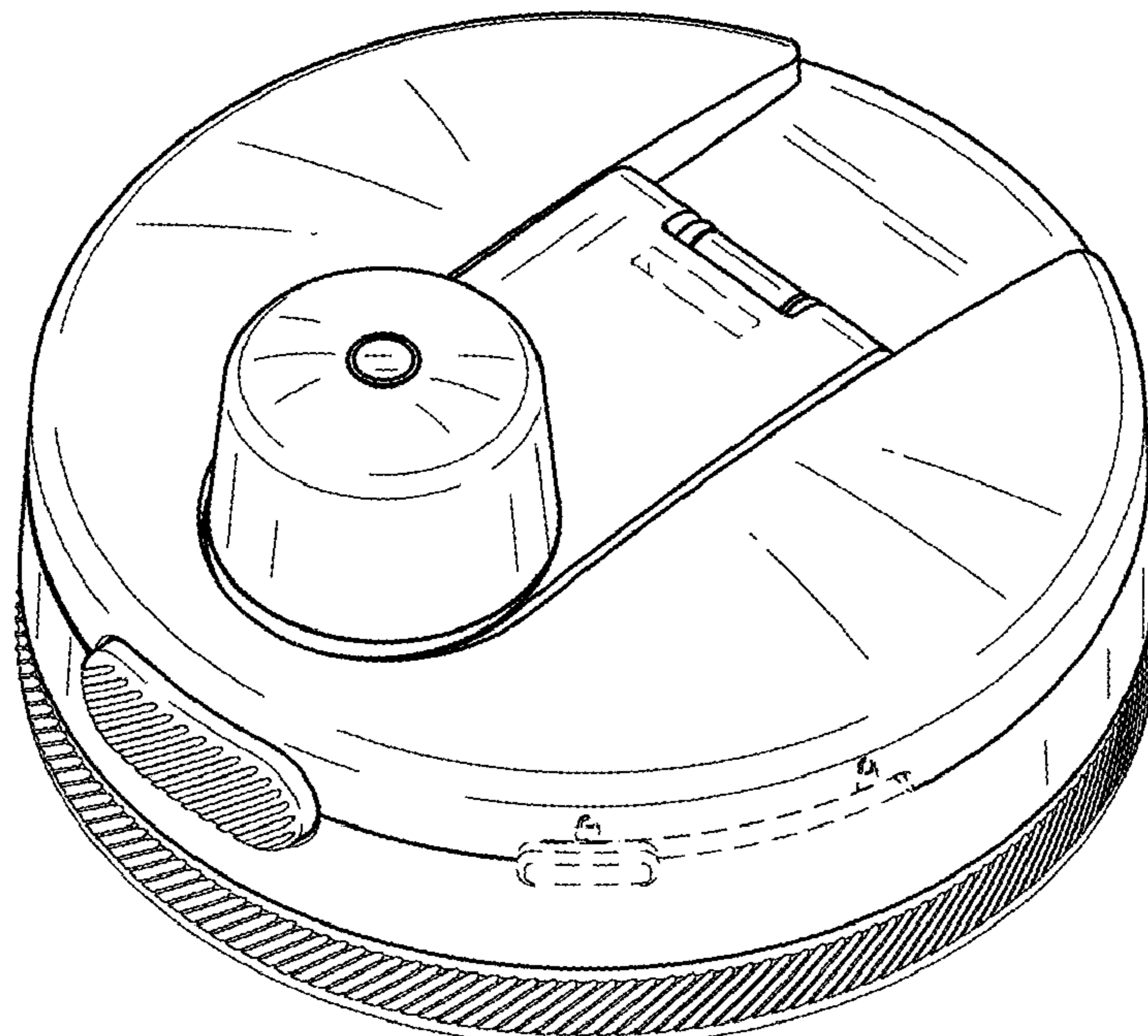
(57) **CLAIM**

The ornamental design for a lid for beverage container, as shown and described.

DESCRIPTION

FIG. 1 is a perspective view of a lid for beverage container, showing my new design;
FIG. 2 is a lower perspective view of the lid for beverage container;
FIG. 3 is a front view of the lid for beverage container;
FIG. 4 is a rear view of the lid for beverage container;
FIG. 5 is a right side view of the lid for beverage container;
FIG. 6 is a left side view of the lid for beverage container;
FIG. 7 is a top view of the lid for beverage container; and,
FIG. 8 is a bottom view of the lid for beverage container.
The broken lines showing in the figures are included for the purpose of illustrating portions of the lid for beverage container that form no part of the claimed design.

1 Claim, 4 Drawing Sheets



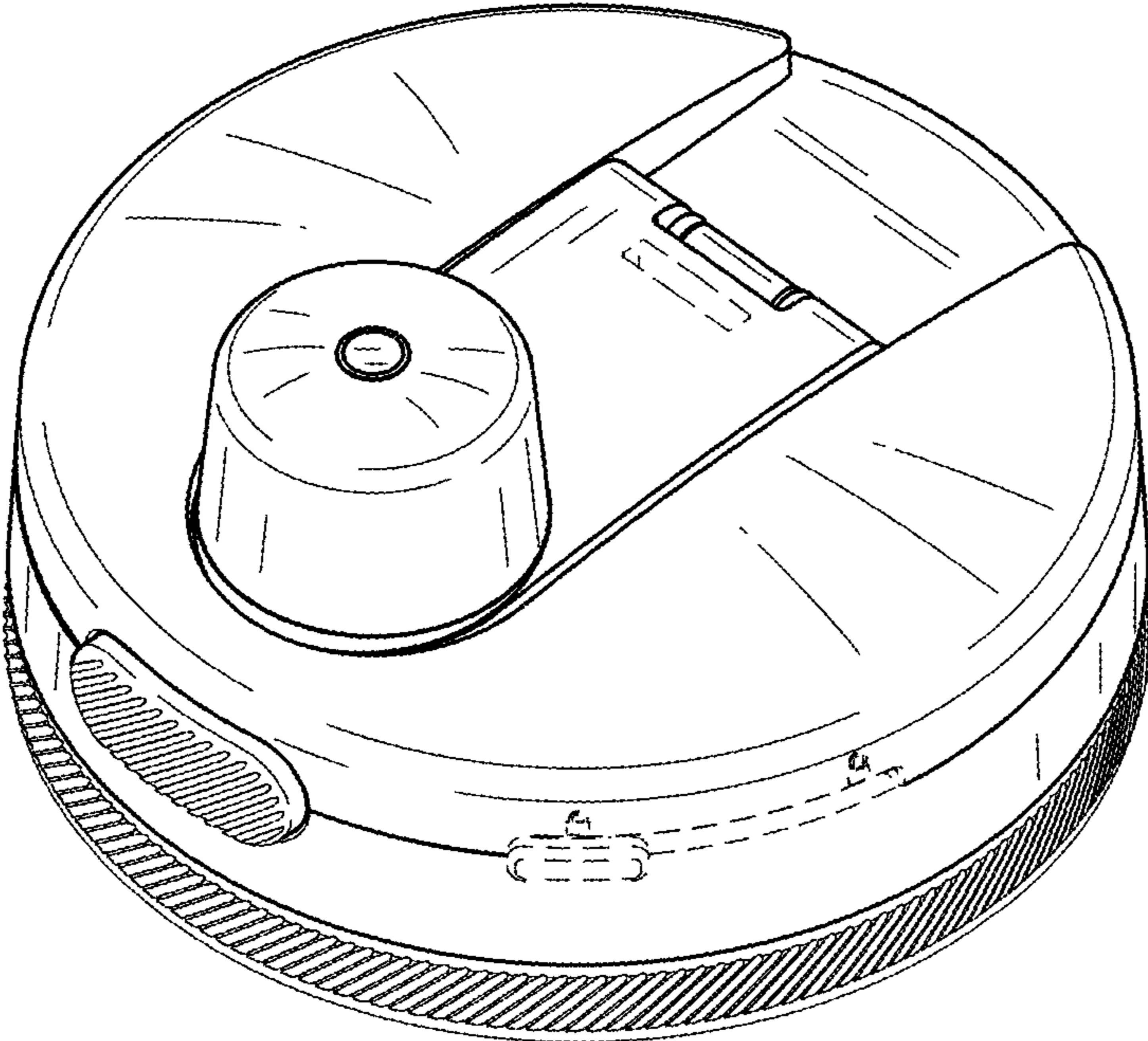


FIG. 1

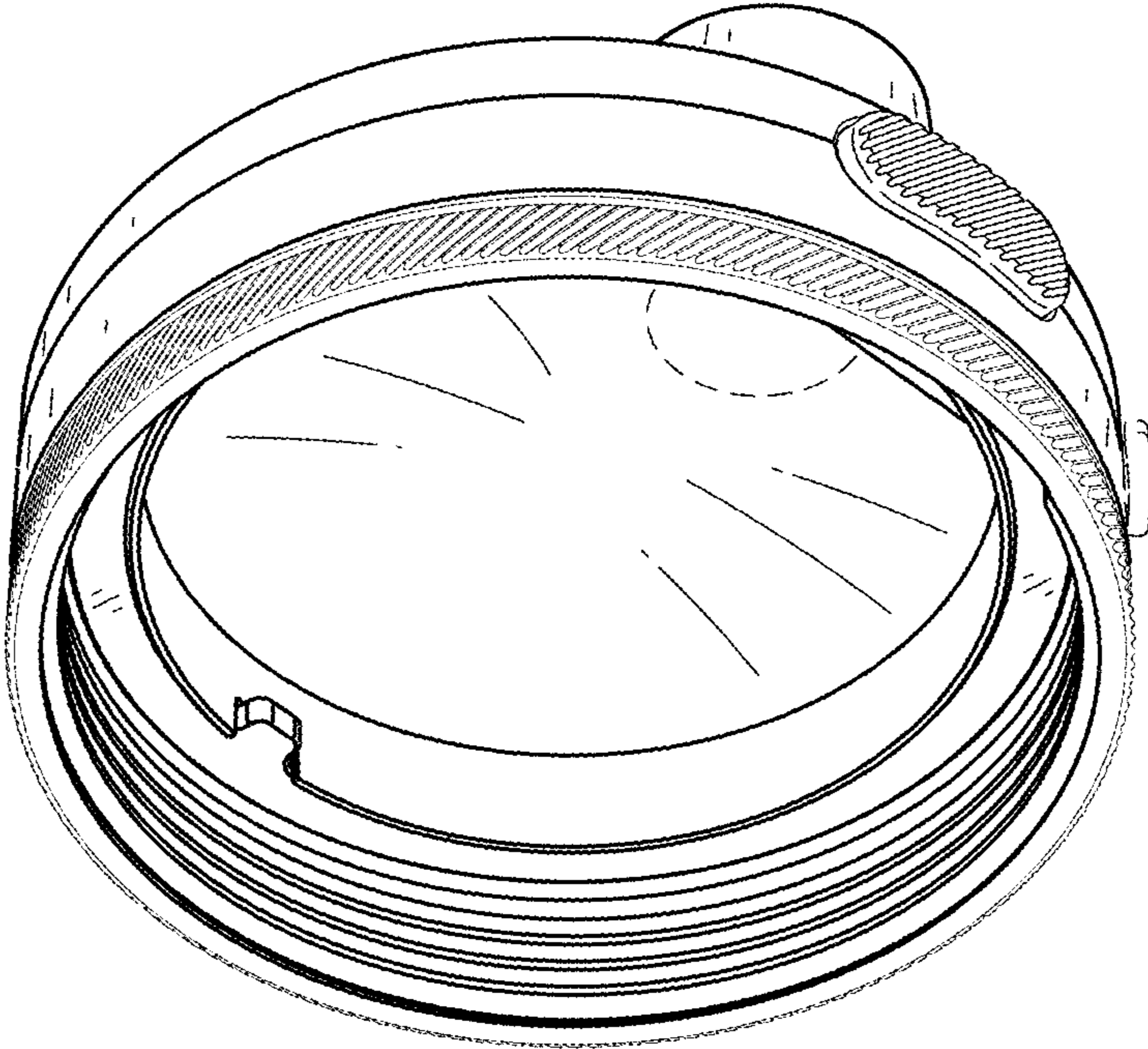


FIG. 2

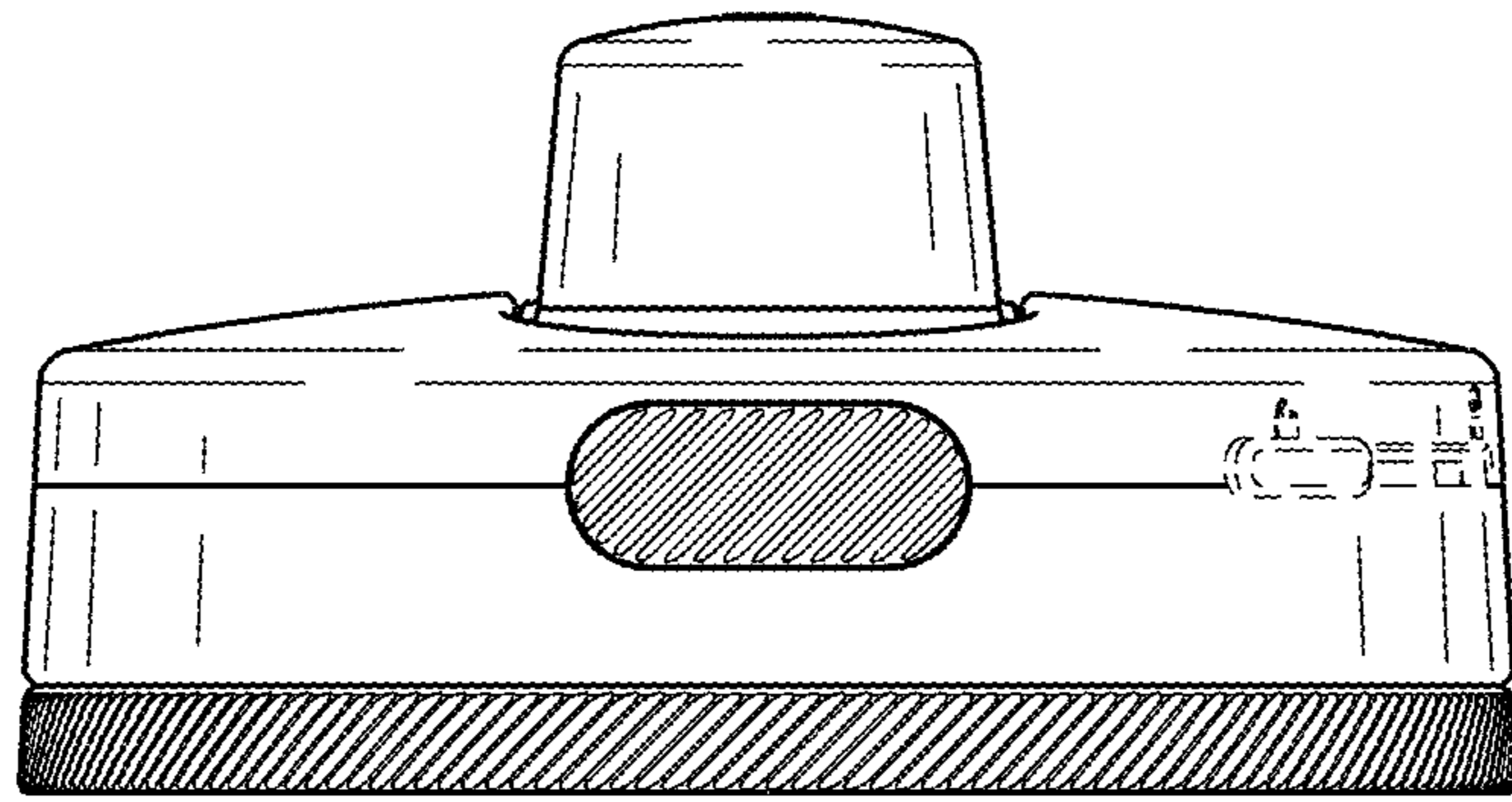


FIG. 3

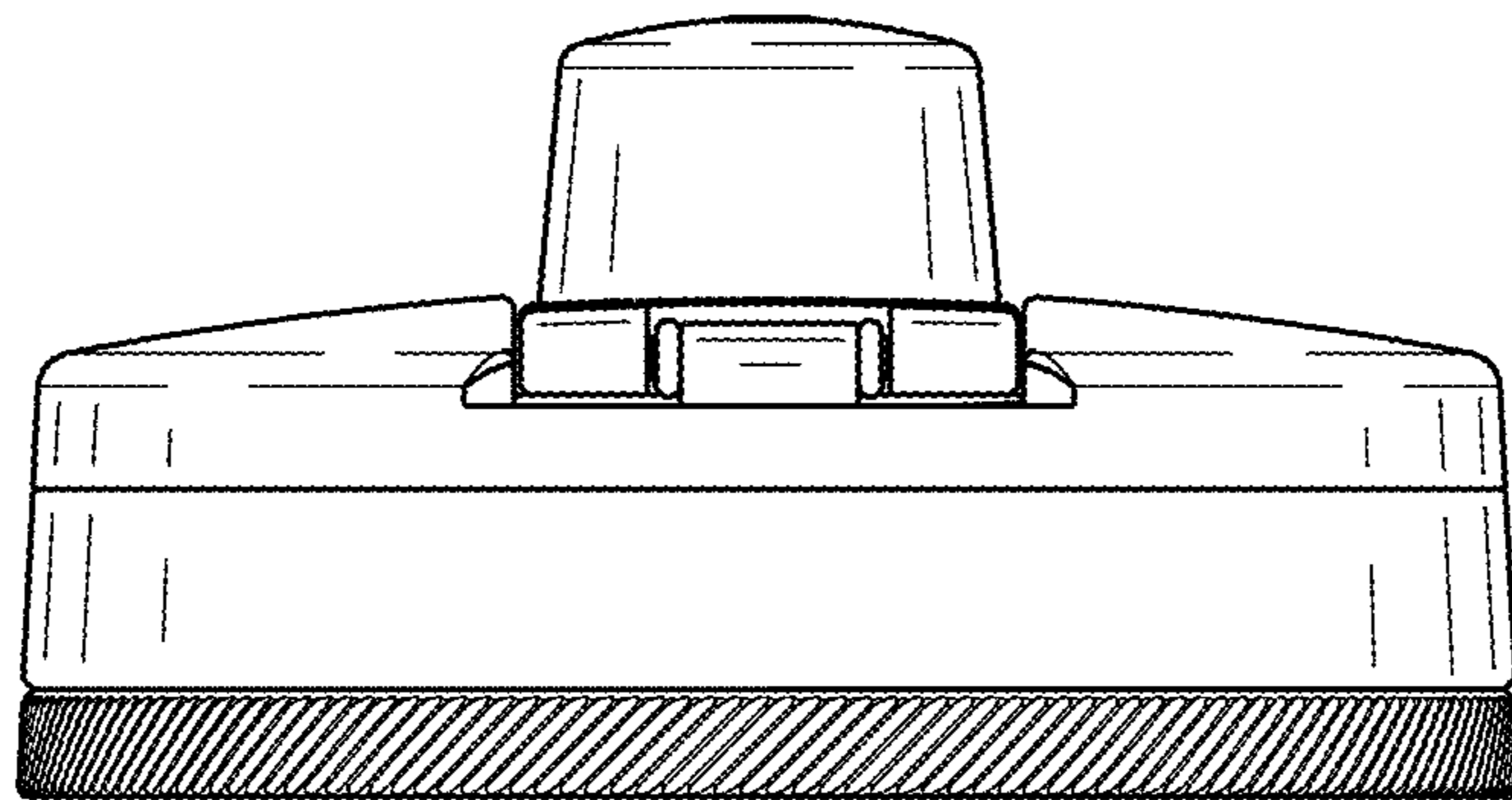


FIG. 4

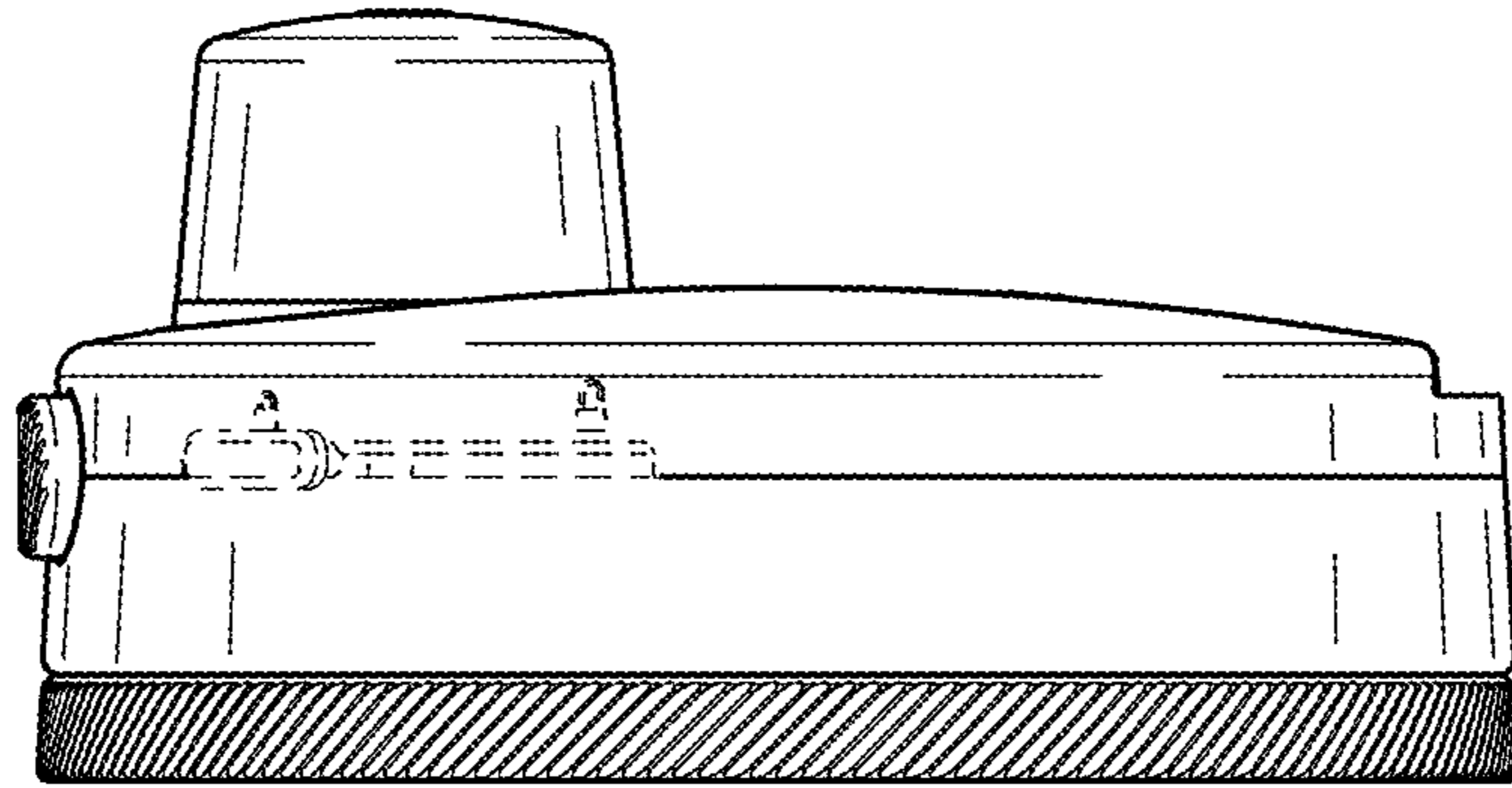


FIG. 5

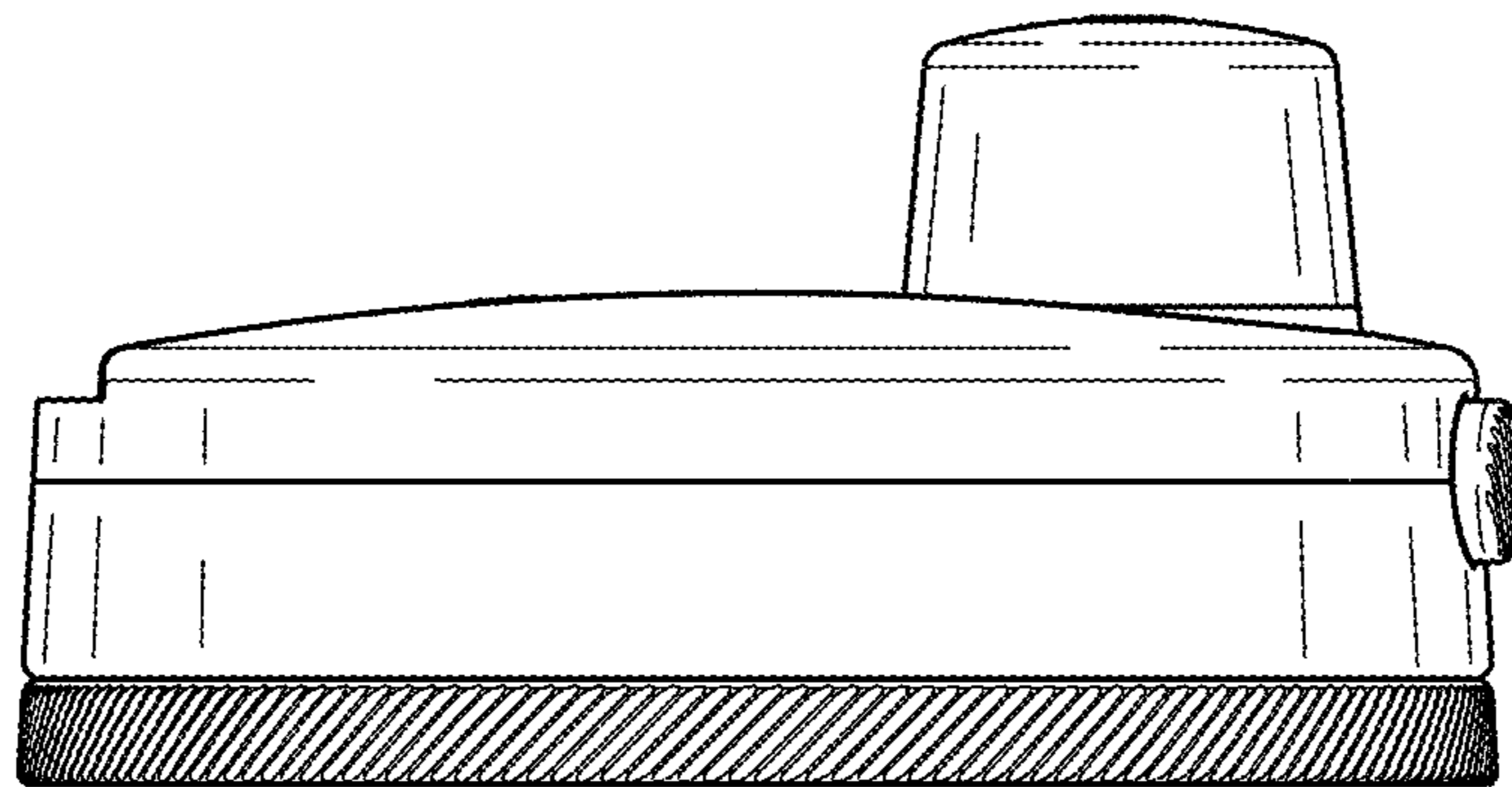


FIG. 6

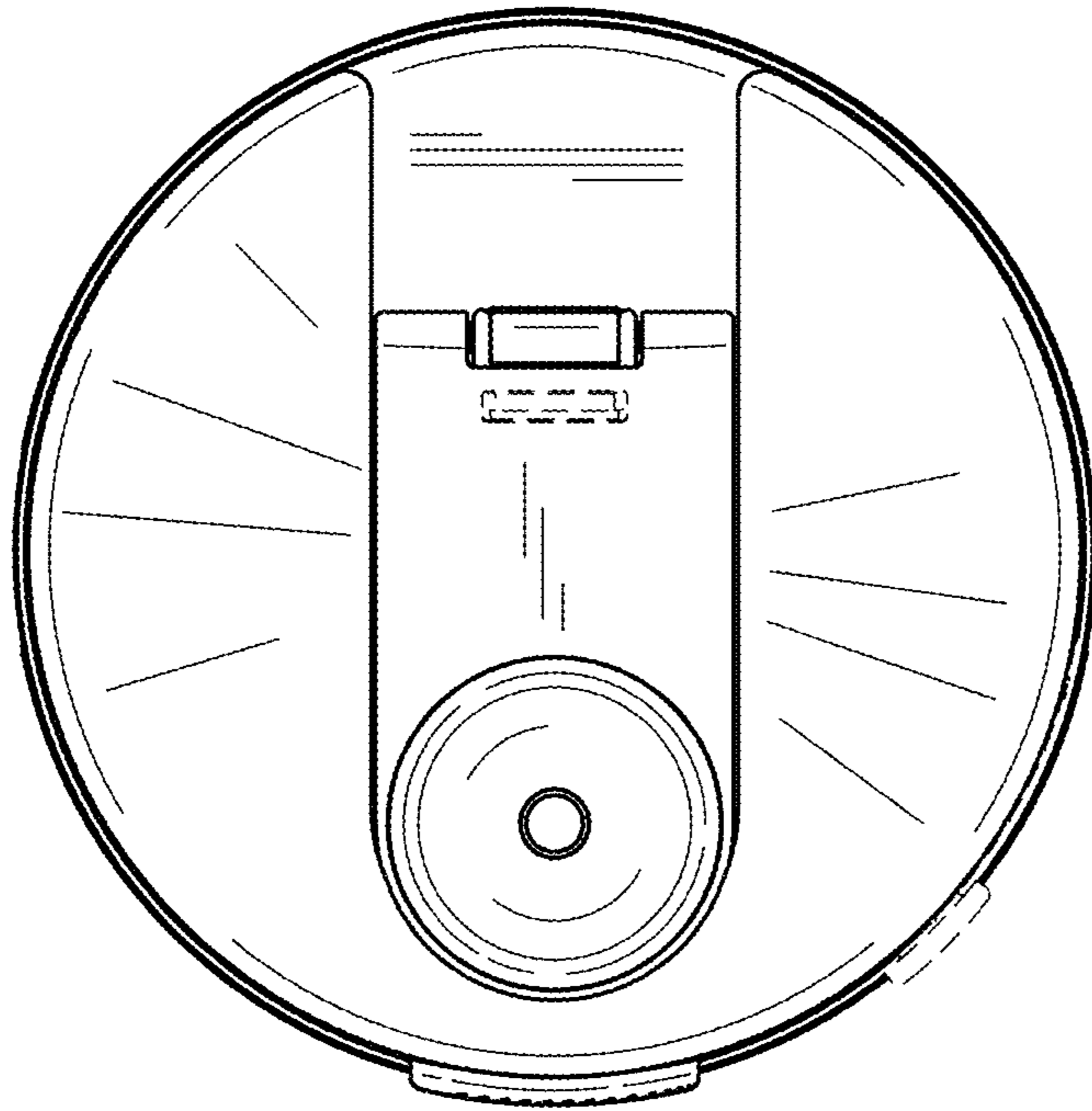


FIG. 7

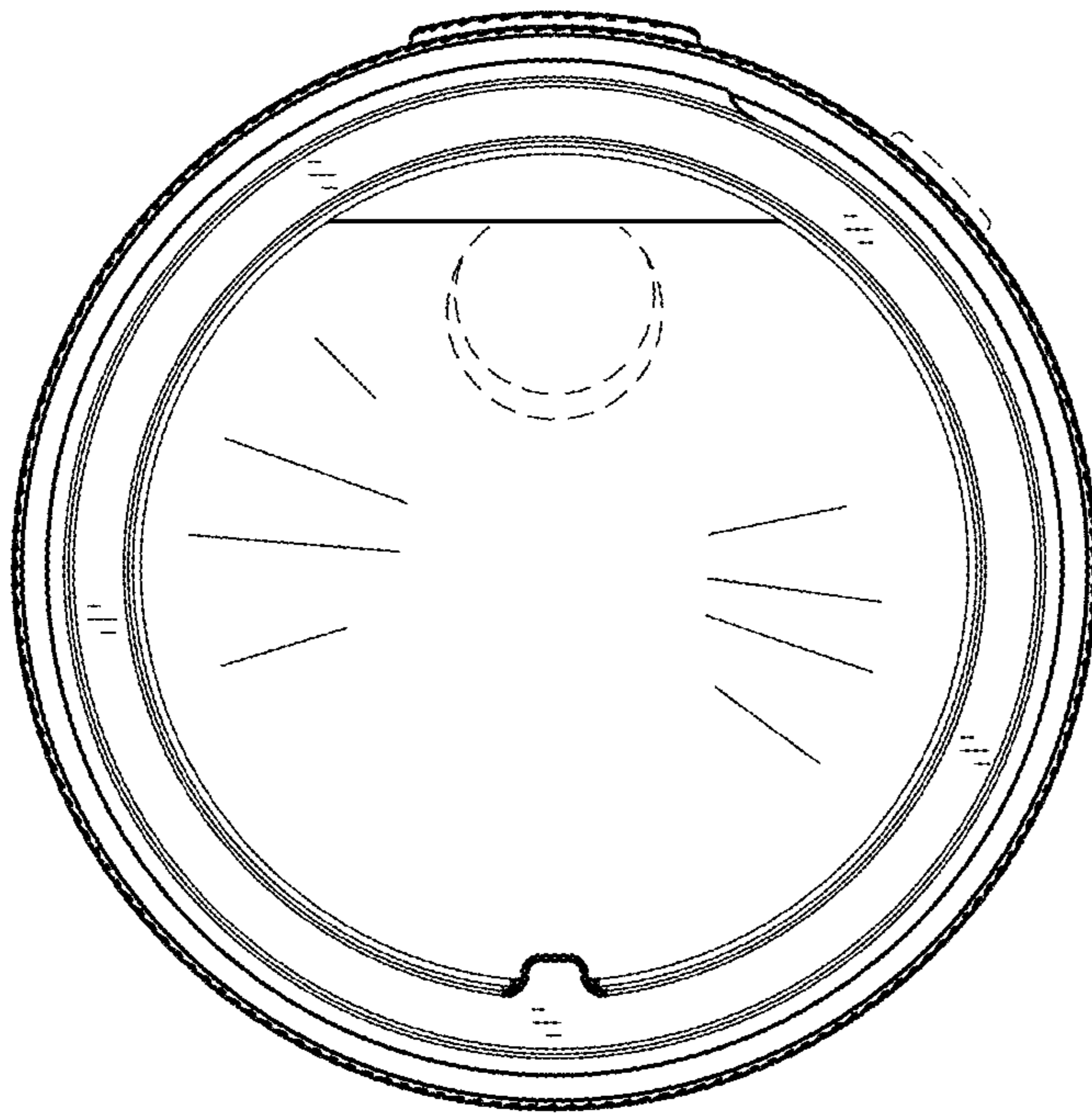


FIG. 8