



US00D882334S

(12) **United States Design Patent**
Henkel

(10) **Patent No.:** **US D882,334 S**

(45) **Date of Patent:** **** Apr. 28, 2020**

(54) **LID FOR TUMBLER**

(71) Applicant: **MiiR Holdings, LLC**, Seattle, WA
(US)

(72) Inventor: **Geoff Henkel**, Seattle, WA (US)

(**) Term: **15 Years**

(21) Appl. No.: **29/647,576**

(22) Filed: **May 14, 2018**

(51) **LOC (12) Cl.** **07-99**

(52) **U.S. Cl.**
USPC **D7/396.2**

(58) **Field of Classification Search**
USPC D7/392.1, 396.1, 396.2, 510, 511;
D9/434, 435, 447, 449, 549
CPC B65D 43/00; B65D 43/02; B65D 43/142;
B65D 47/08; B65D 41/04; B65D 39/00;
B65D 41/56; A47J 43/27; A45F 3/16
See application file for complete search history.

(56) **References Cited**

U.S. PATENT DOCUMENTS

D504,796 S * 5/2005 Schuler D7/392.1
D772,651 S * 11/2016 Leonard D7/510
D789,737 S * 6/2017 Eyal D7/300.1
D802,362 S * 11/2017 Spivey D7/396.2

D814,240 S * 4/2018 Kabalin D7/510
D834,881 S * 12/2018 Seiders D7/392.1
D844,383 S * 4/2019 Seiders D7/510
10,329,070 B2 * 6/2019 Wengerd B65D 81/245
2010/0288782 A1 * 11/2010 Lin A47G 19/22
220/752
2017/0273484 A1 * 9/2017 Spivey A47G 19/2288

* cited by examiner

Primary Examiner — Derrick E Holland

Assistant Examiner — Andrew Kerr

(74) *Attorney, Agent, or Firm* — John M. Janeway;
Janeway Patent Law, PLLC

(57) **CLAIM**

The ornamental design for a lid for tumbler, as shown and described.

DESCRIPTION

FIG. 1 is a perspective view of a lid for tumbler, showing my new design.

FIG. 2 is a front, elevation view thereof.

FIG. 3 is a rear, elevation view thereof.

FIG. 4 is a left side, elevation view thereof.

FIG. 5 is a right side, elevation view thereof.

FIG. 6 is a top, plan view thereof; and,

FIG. 7 is a bottom, plan view thereof.

The broken lines in FIG. 7 illustrate a portion of the lid for tumbler that does not form a part of the claimed design.

1 Claim, 3 Drawing Sheets

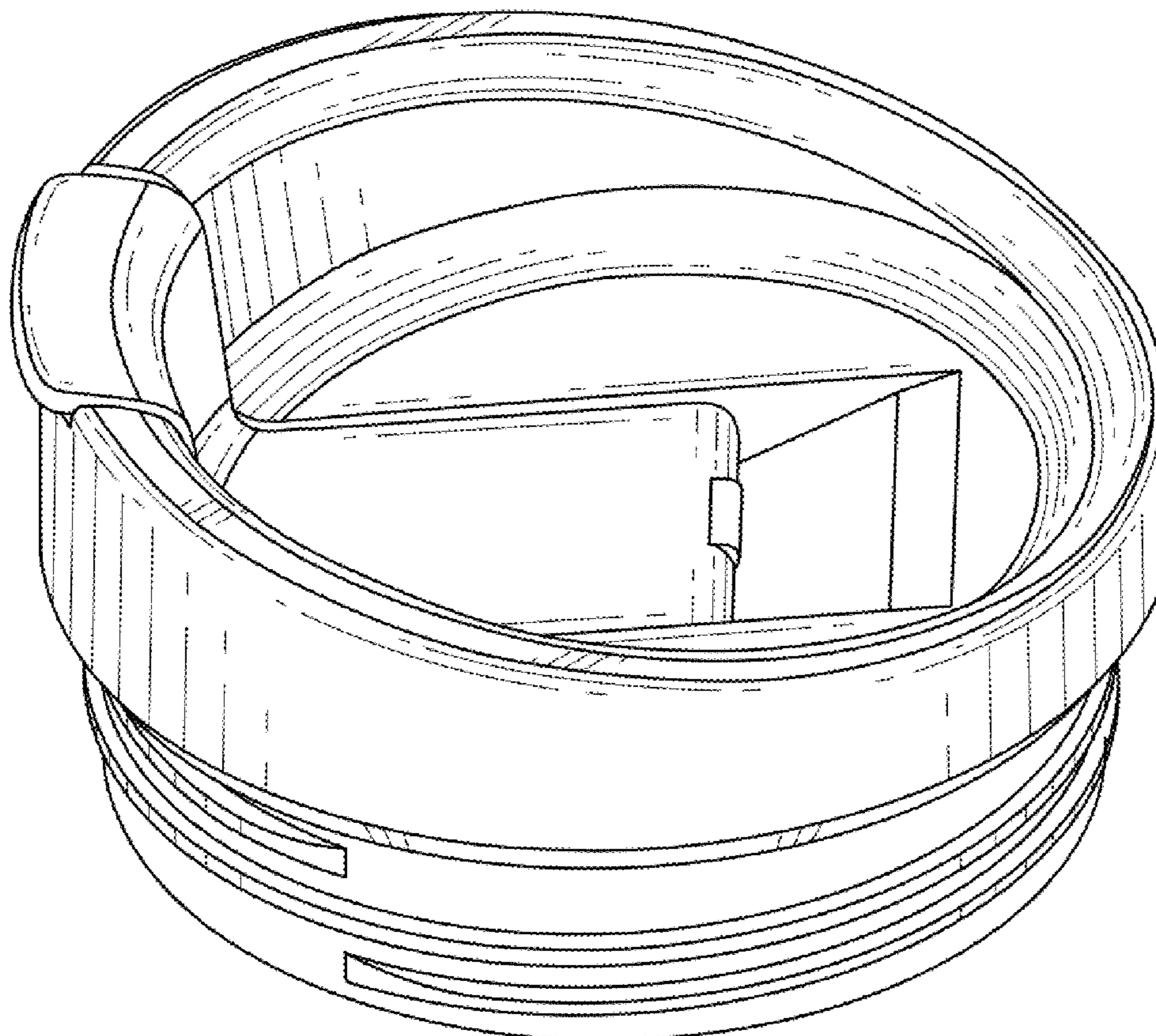


FIG. 1

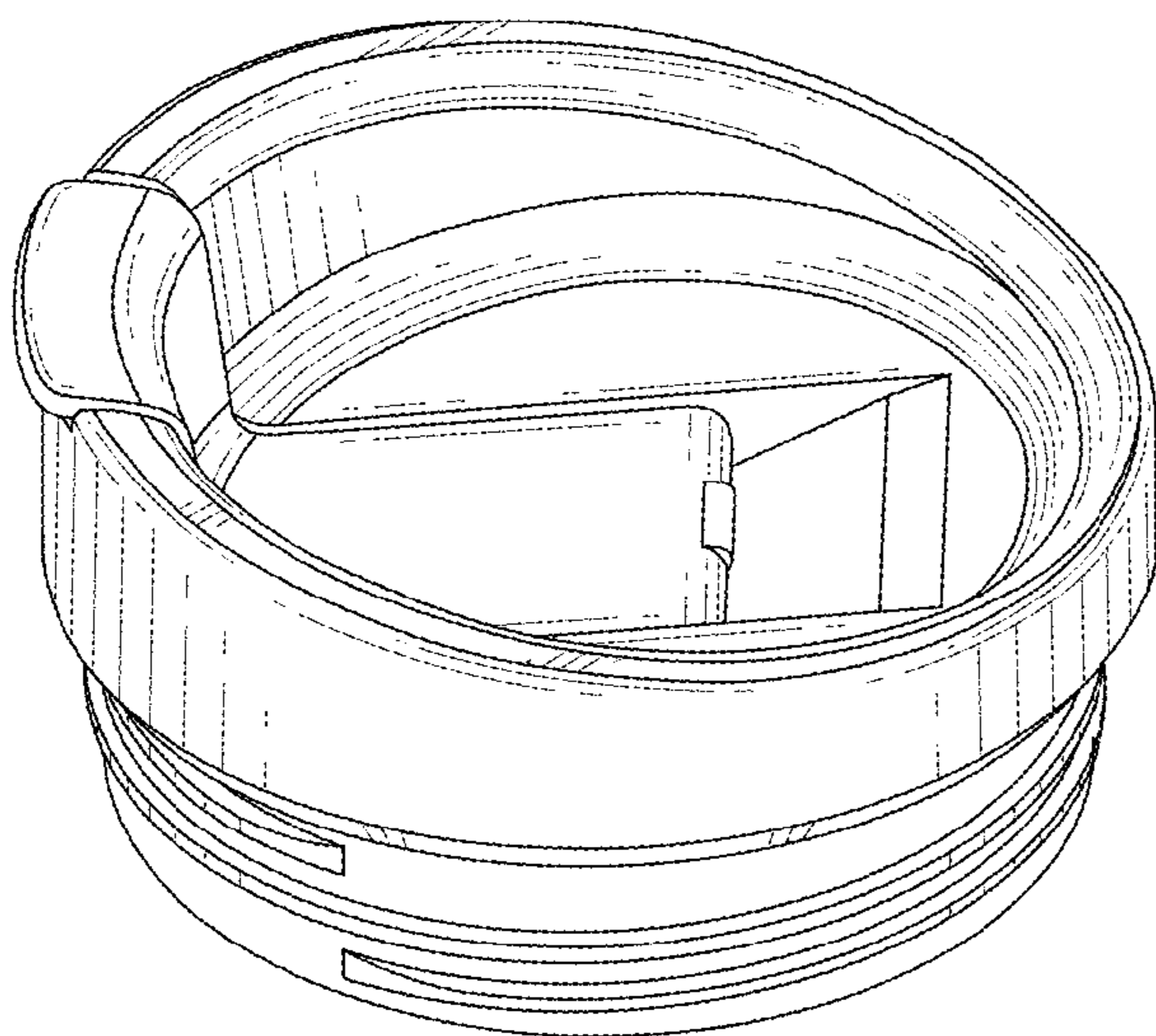


FIG. 2

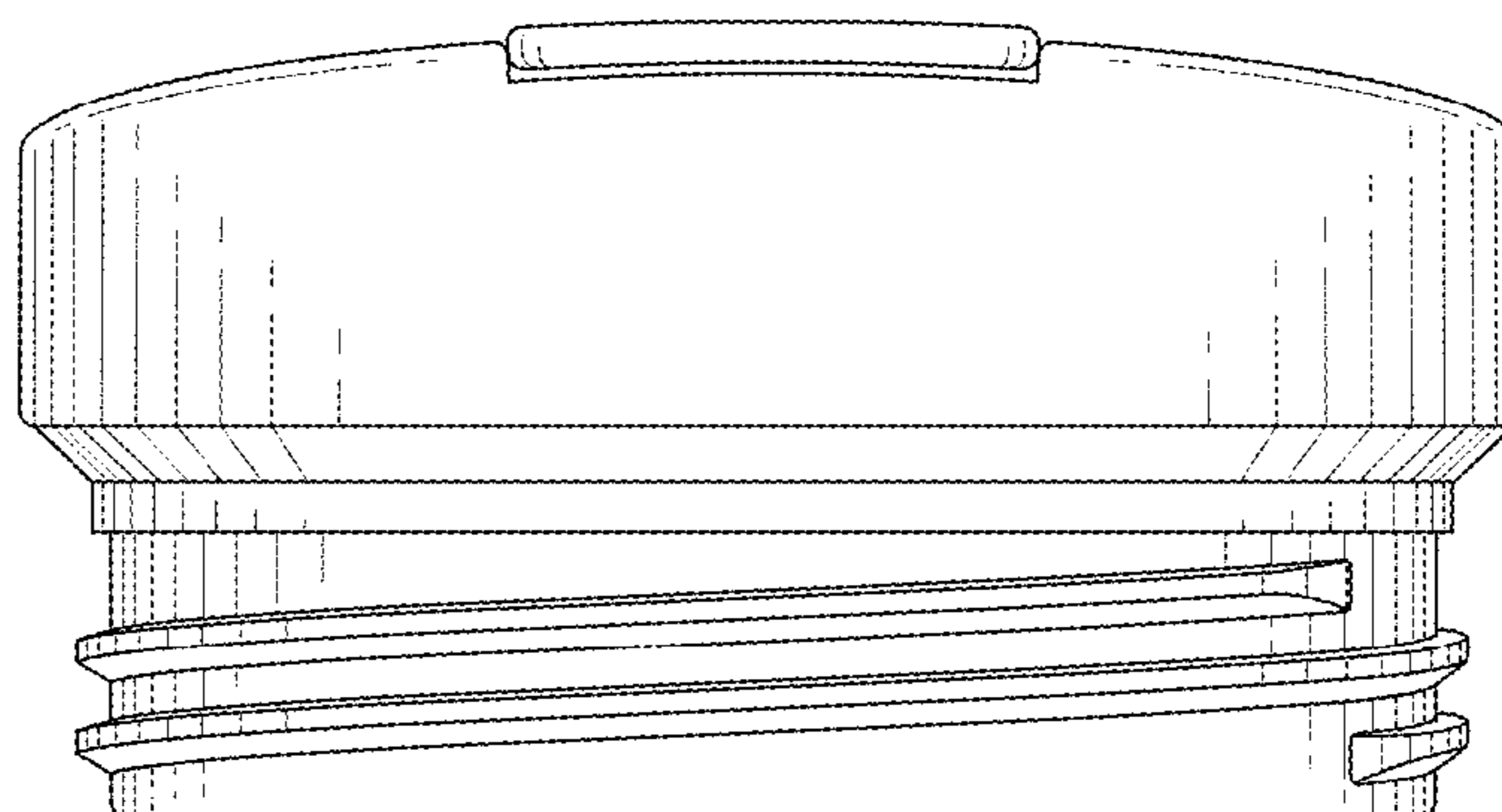


FIG. 3

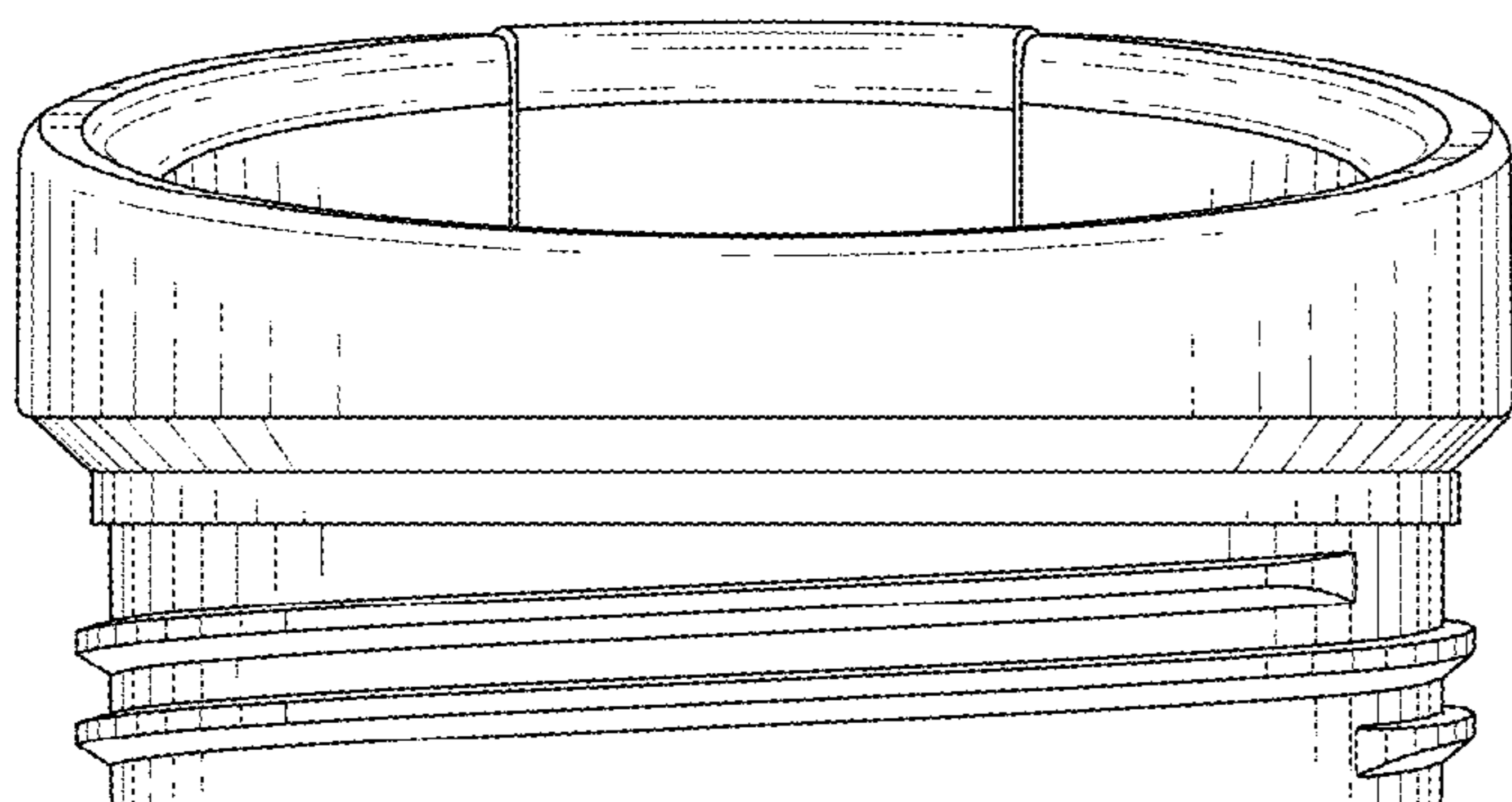


FIG. 4

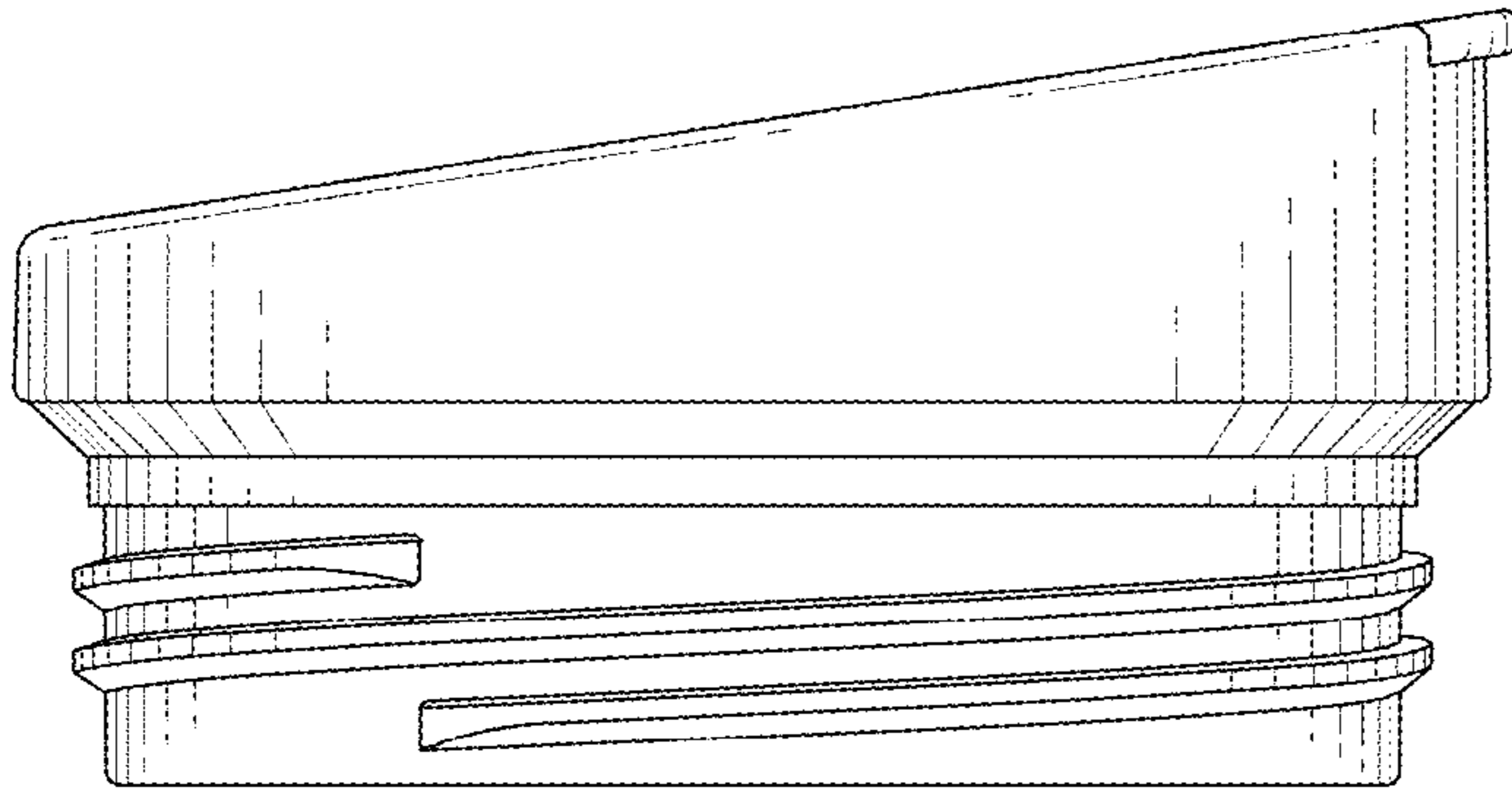


FIG. 5

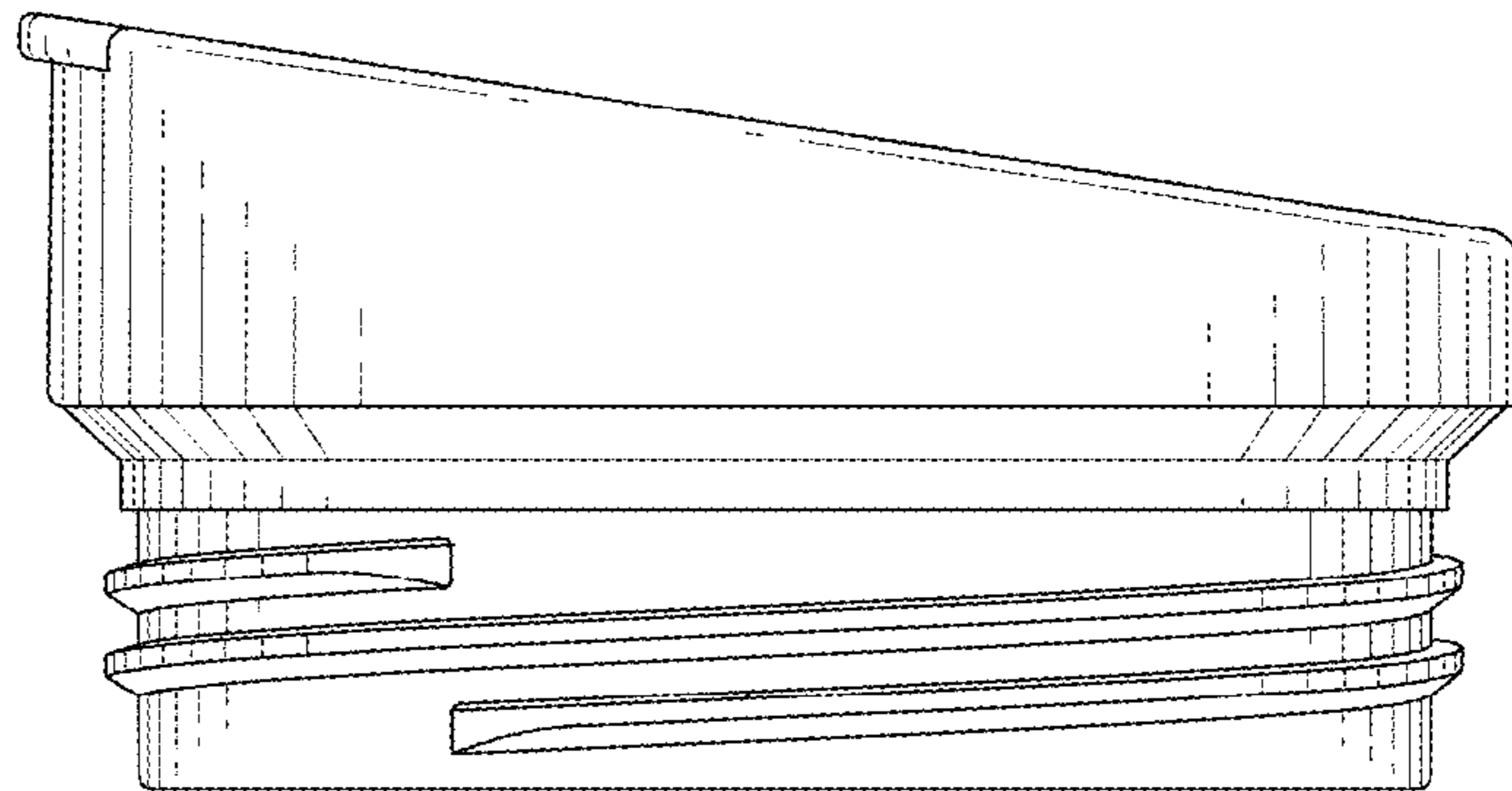


FIG. 6

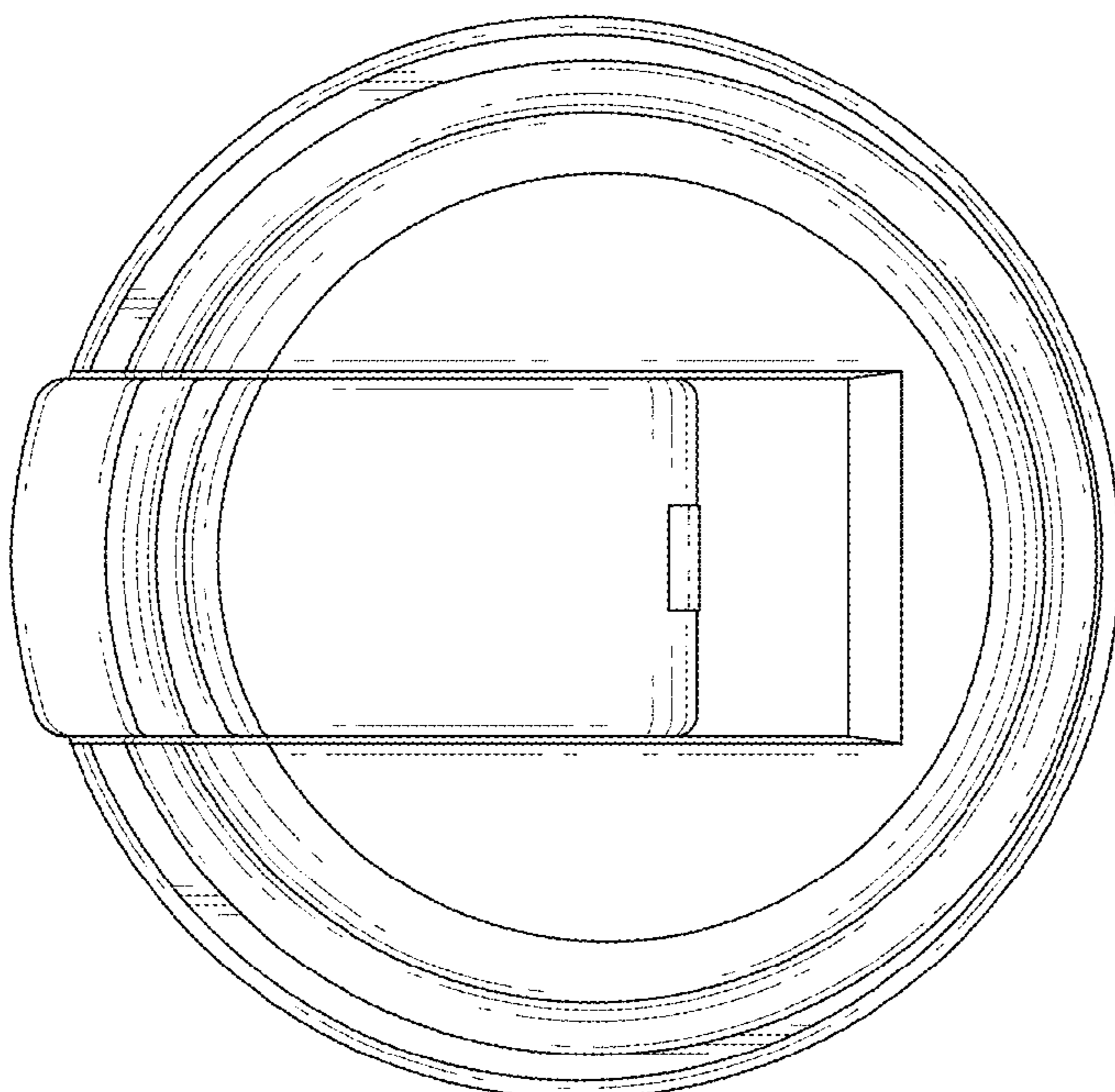


FIG. 7

