



US00D882331S

(12) **United States Design Patent**
Miller et al.

(10) **Patent No.:** **US D882,331 S**
(45) **Date of Patent:** **** Apr. 28, 2020**

(54) **BLENDER**

(71) Applicant: **SharkNinja Operating LLC**,
Needham, MA (US)

(72) Inventors: **Martin Edward Miller**, Essex (GB);
Jennifer Kathryn Marsden, London
(GB); **Sam William Bannister**,
Leybourne (GB); **Hamish Leigh**
Thompson, London (GB)

(73) Assignee: **SHARKNINJA OPERATING LLC**,
Needham, MA (US)

(**) Term: **15 Years**

(21) Appl. No.: **29/659,542**

(22) Filed: **Aug. 9, 2018**

(51) **LOC (12) Cl.** **07-03**

(52) **U.S. Cl.**

USPC **D7/378**; D7/376; D7/384

(58) **Field of Classification Search**

USPC D7/372, 376–386, 412–413, 602, 629,
D7/665–666, 669, 679, 693–694

CPC A21C 1/02; A21C 1/04; A23N 1/00; A23N
1/02; A47J 43/04; A47J 43/25; A47J
43/27; A47J 43/042; A47J 43/044; A47J
43/046; A47J 43/07; A47J 43/075; A47J
43/0716; A47J 43/0722; A47J 43/0727;
B01F 3/00; B01F 3/0807; B01F 3/0853;
B01F 13/0059; B01F 13/0064; B02C
1/08; B02C 2/04; B02C 4/42; B02C
4/142; B02C 4/143; B02C 4/423; B02C
13/1835; B28C 5/10; B28C 5/12; B28C
5/14; B28C 5/16

See application file for complete search history.

(56) **References Cited**

U.S. PATENT DOCUMENTS

D345,488 S * 3/1994 Barnard D7/387
D404,253 S * 1/1999 Littmann D7/412

D635,826 S * 4/2011 Krasznai D7/384
D719,779 S * 12/2014 Vu D7/376
D739,679 S * 9/2015 Benoit D7/376
D747,135 S * 1/2016 Ha D7/376
D749,893 S * 2/2016 Bazzicalupo D7/376

(Continued)

Primary Examiner — Ricky Pham

(74) *Attorney, Agent, or Firm* — Cantor Colburn LLP

(57) **CLAIM**

The ornamental design for a blender, as shown and described.

DESCRIPTION

FIG. 1 is a perspective view of blender, showing our new design in a first embodiment;

FIG. 2 is a side view of the embodiment shown in FIG. 1;

FIG. 3 is another view of the embodiment shown in FIG. 1;

FIG. 4 is front view of the embodiment shown in FIG. 1;

FIG. 5 is rear view of the embodiment shown in FIG. 1;

FIG. 6 is a top view of the embodiment shown in FIG. 1;

FIG. 7 is a bottom view of the embodiment shown in FIG. 1;

FIG. 8 is a perspective view of blender, showing our new design in a second embodiment;

FIG. 9 is a side view of the embodiment shown in FIG. 8;

FIG. 10 is another view of the embodiment shown in FIG. 8;

FIG. 11 is front view of the embodiment shown in FIG. 8;

FIG. 12 is rear view of the embodiment shown in FIG. 8;

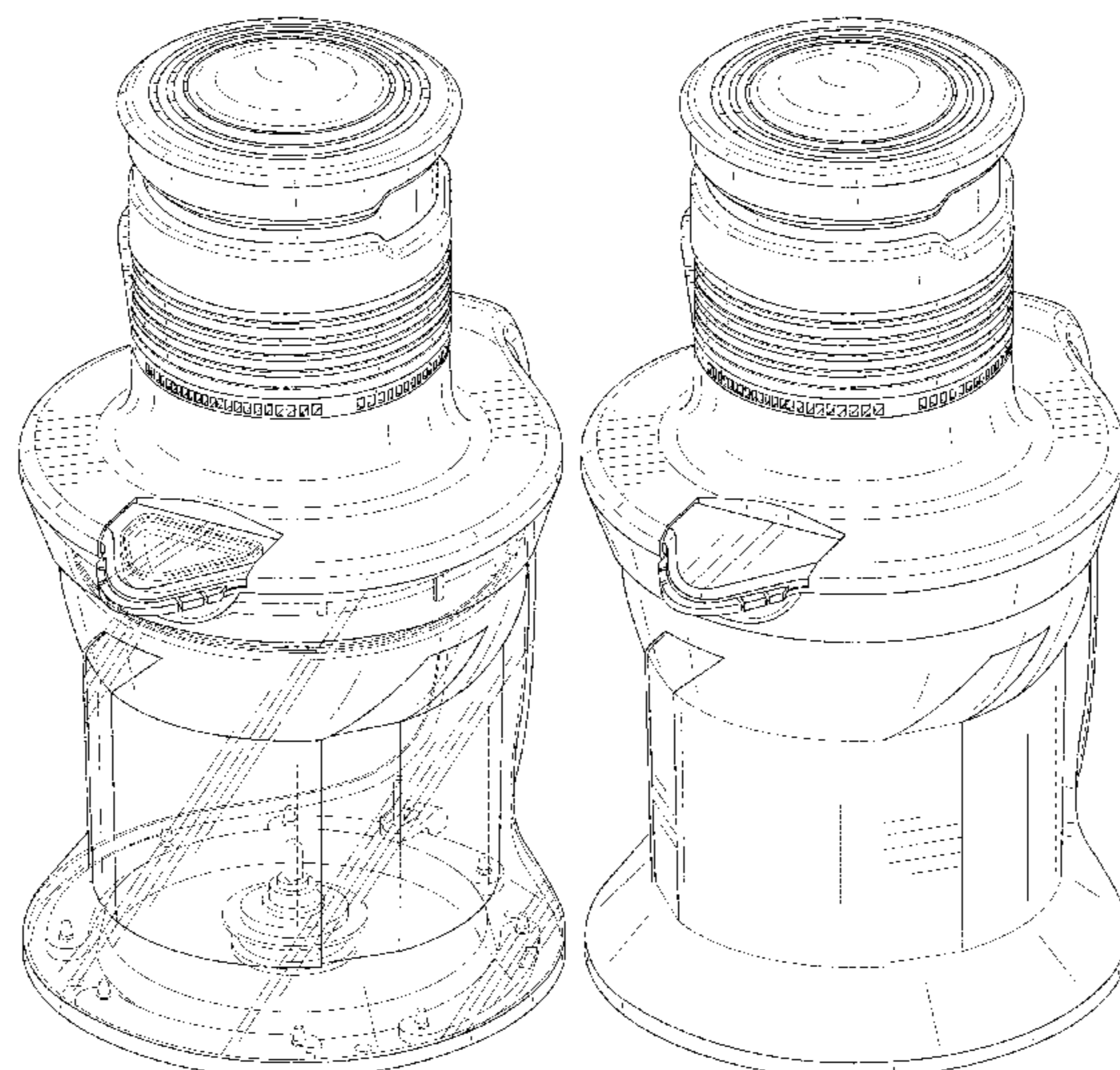
FIG. 13 is a top view of the embodiment shown in FIG. 8;

and,

FIG. 14 is a bottom view of the embodiment shown in FIG. 8.

The broken lines in the figures are for environmental purposes only and form no part of the claimed design.

1 Claim, 14 Drawing Sheets



(56)

References Cited

U.S. PATENT DOCUMENTS

D784,761 S * 4/2017 Tu D7/376
D785,403 S * 5/2017 Smith D7/376
D846,342 S * 4/2019 Smith D7/384

* cited by examiner

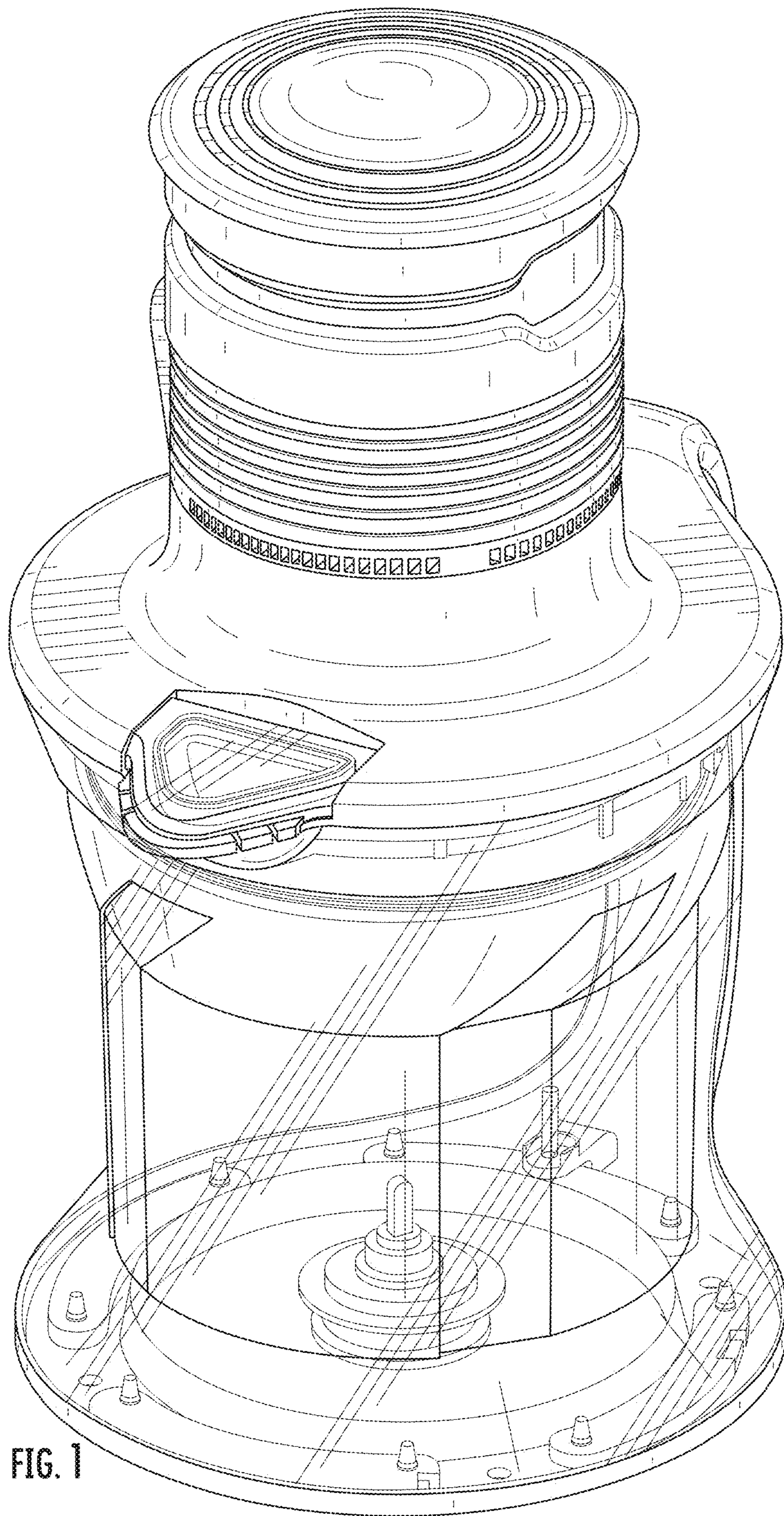


FIG. 1

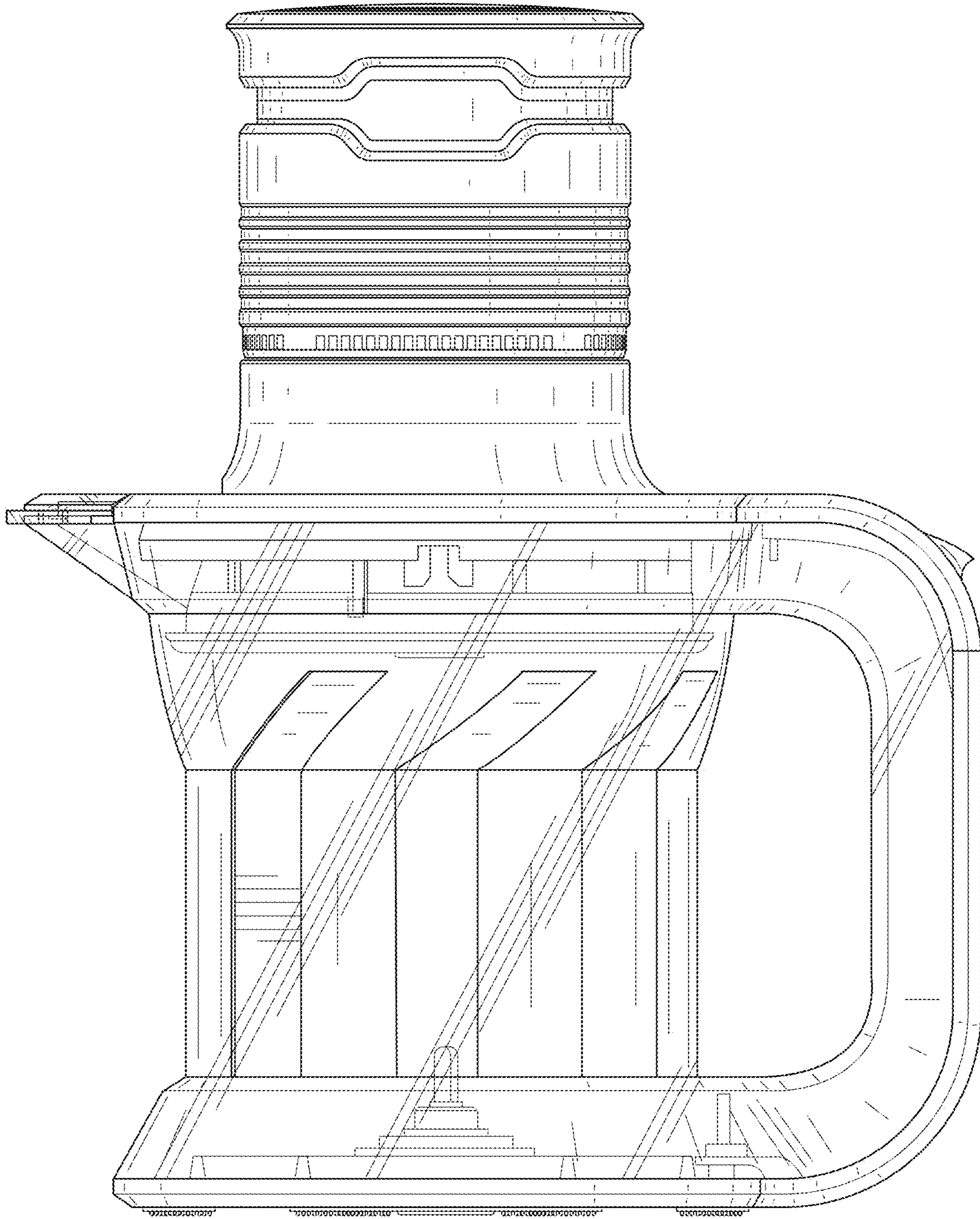


FIG. 2

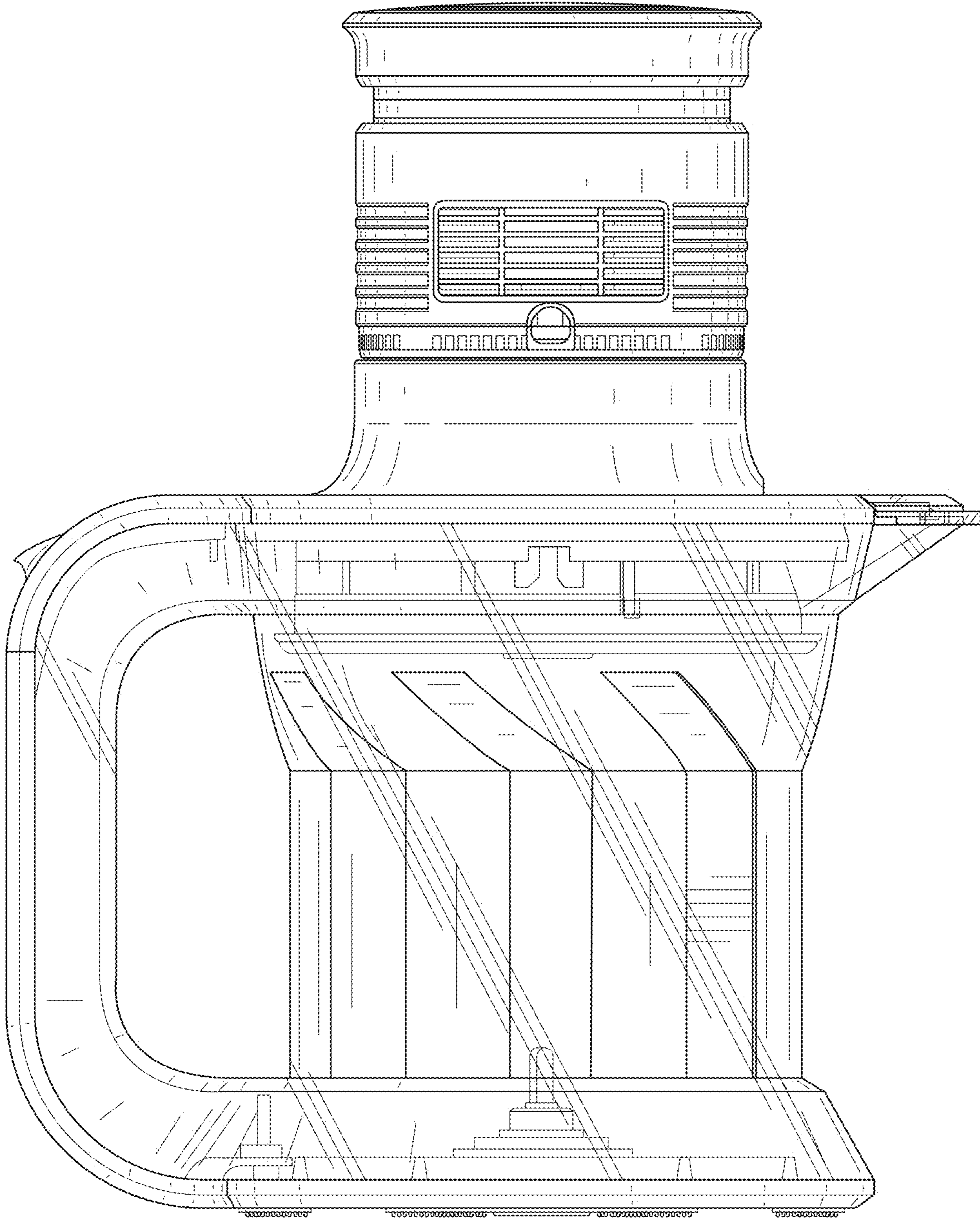


FIG. 3

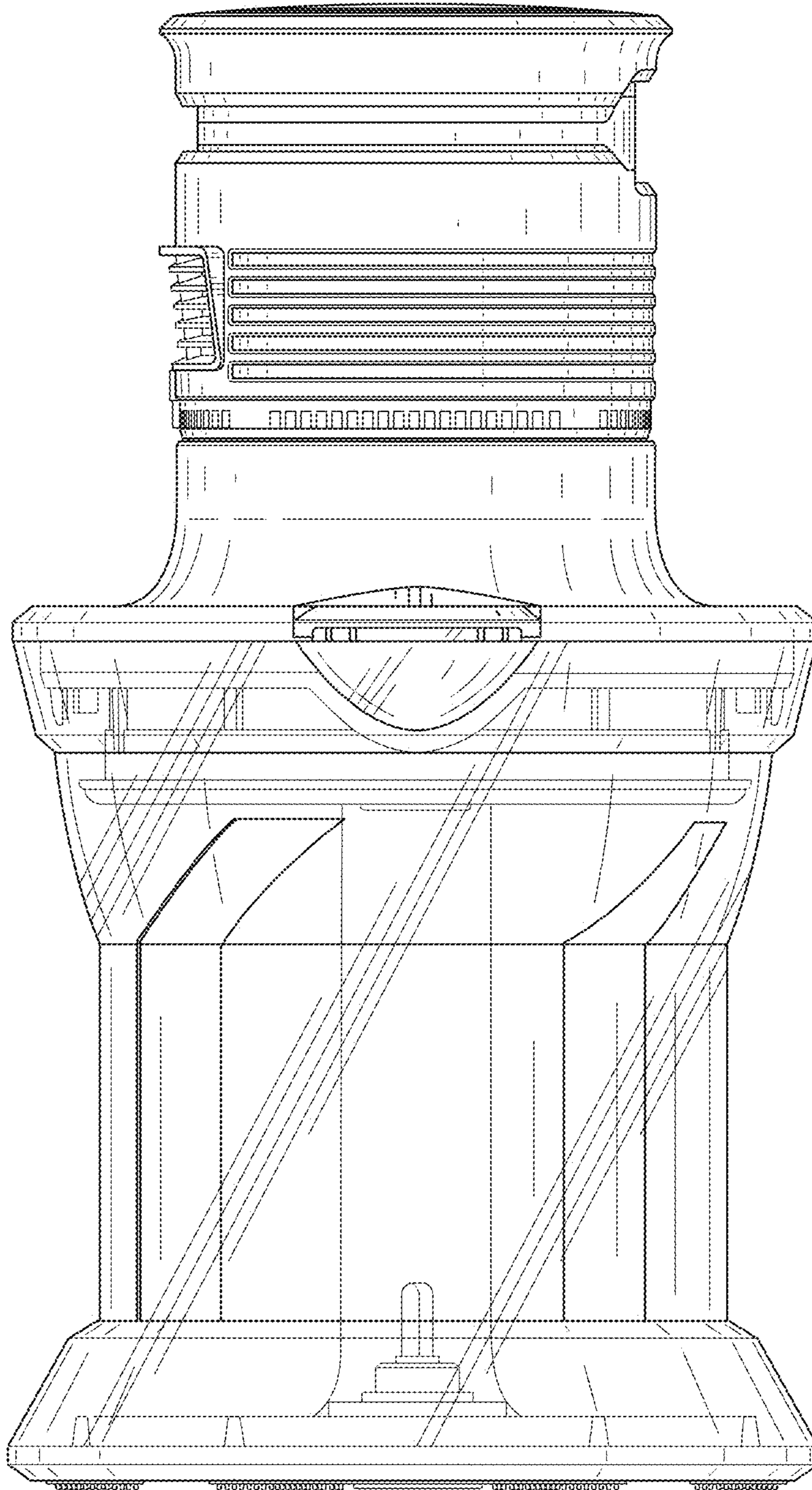


FIG. 4

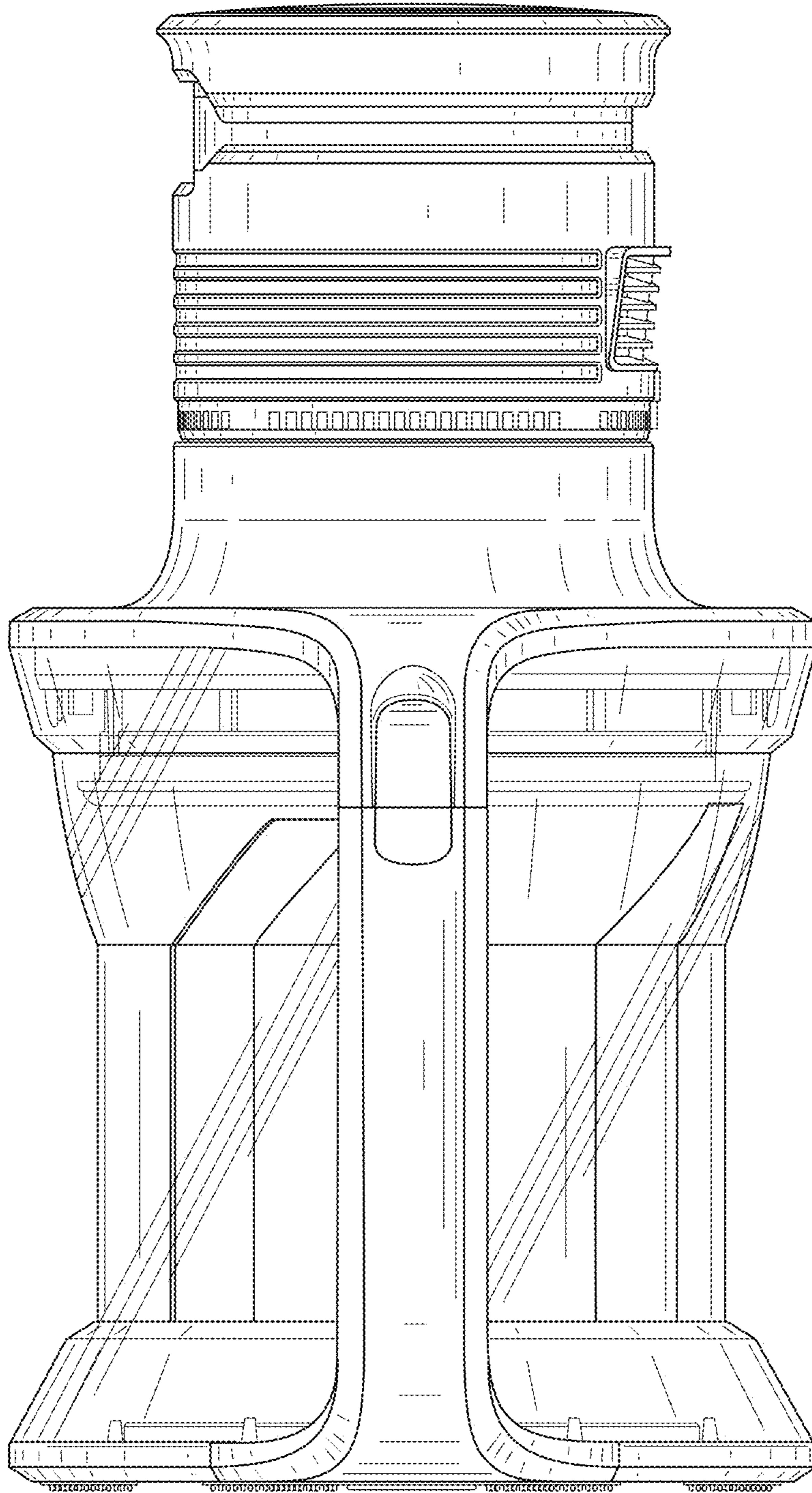


FIG. 5

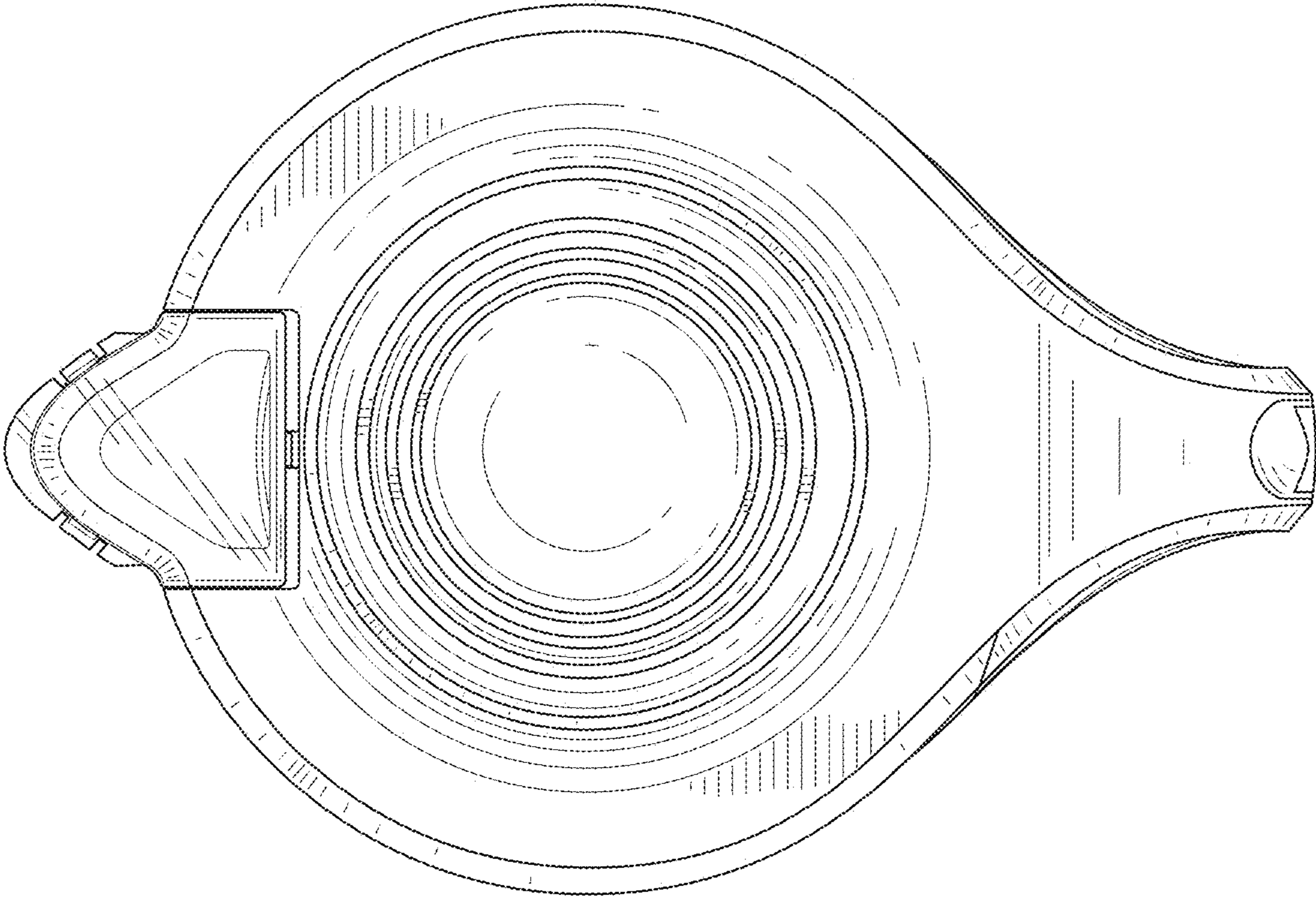


FIG. 6

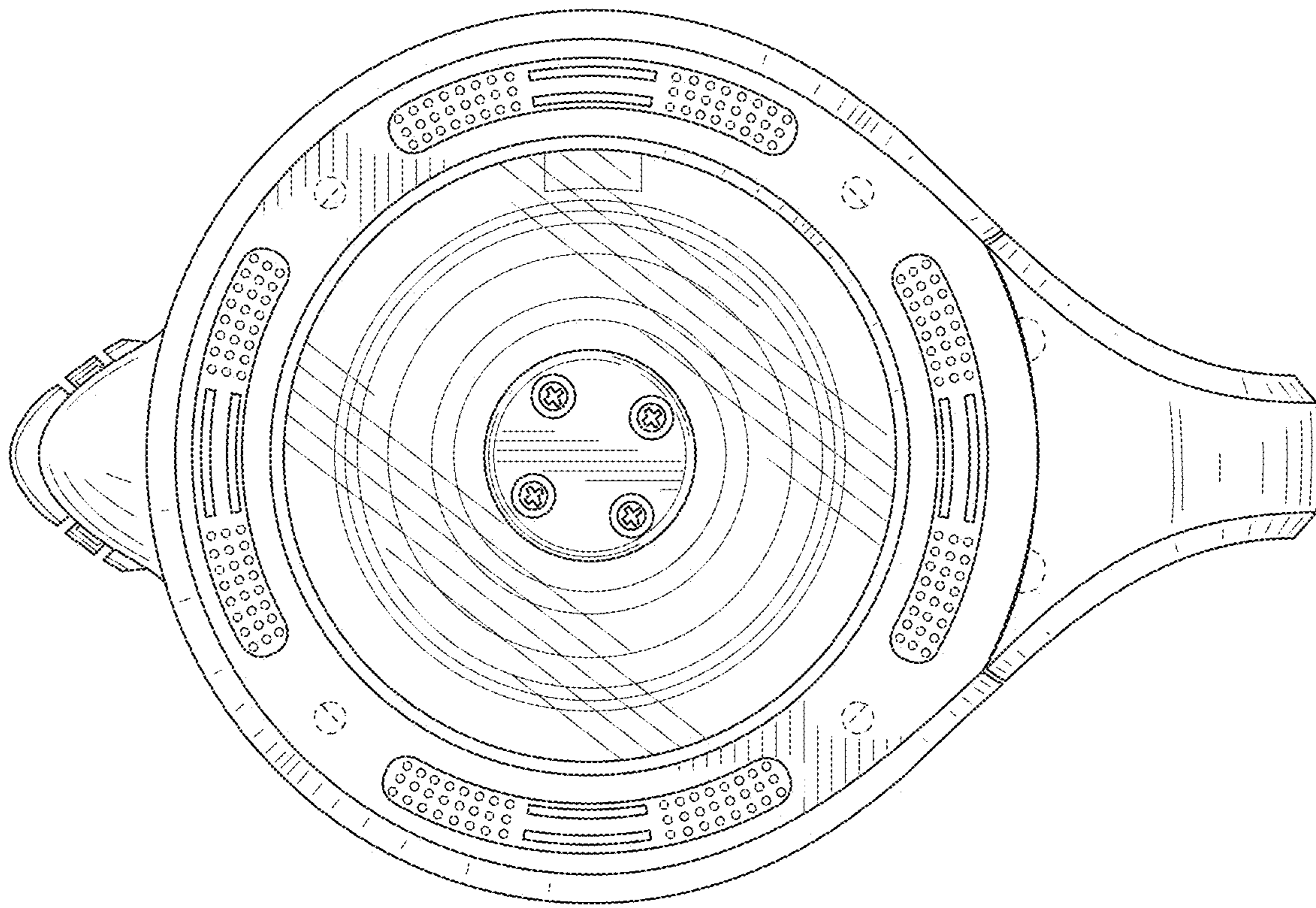


FIG. 7

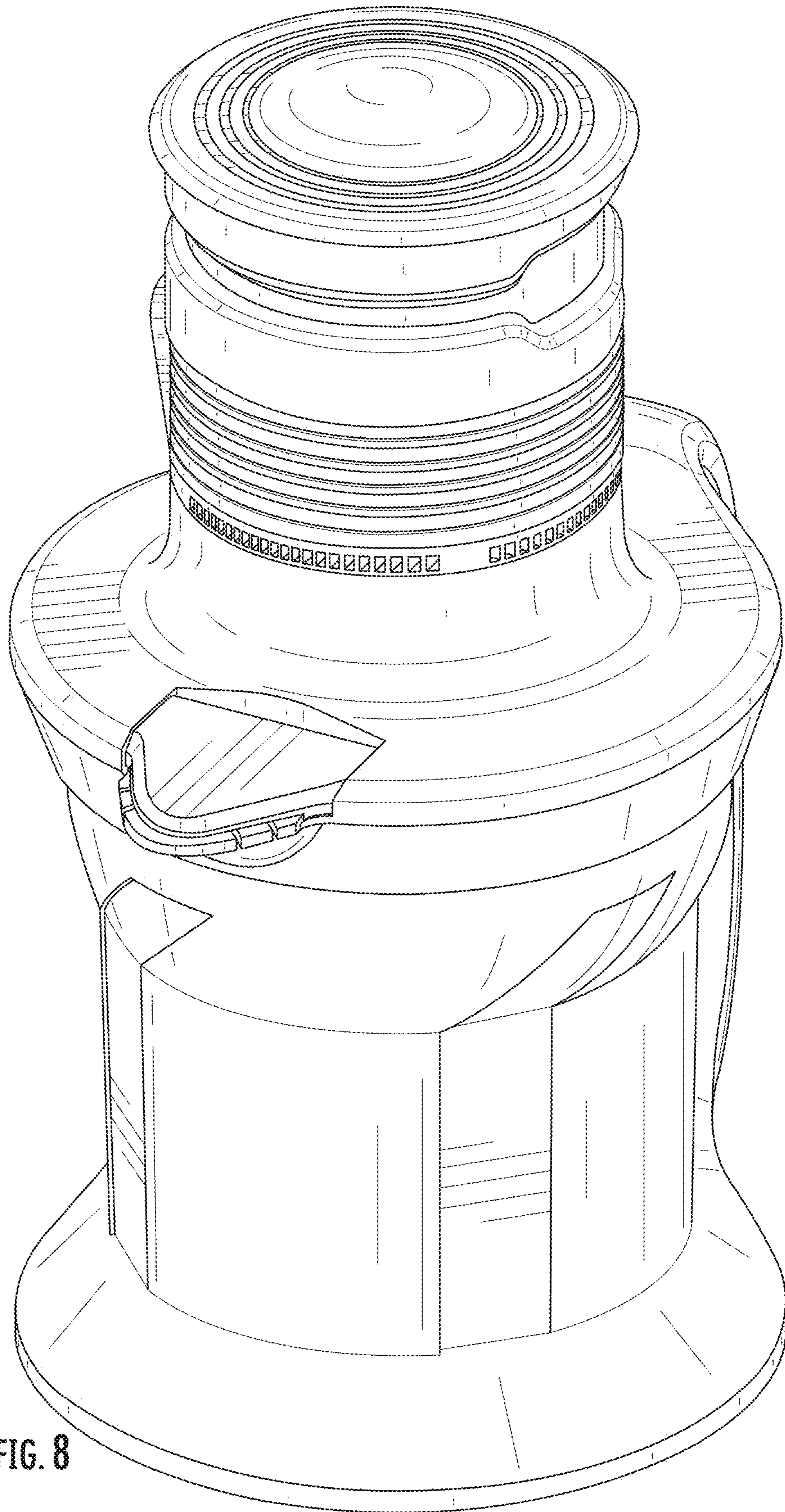


FIG. 8

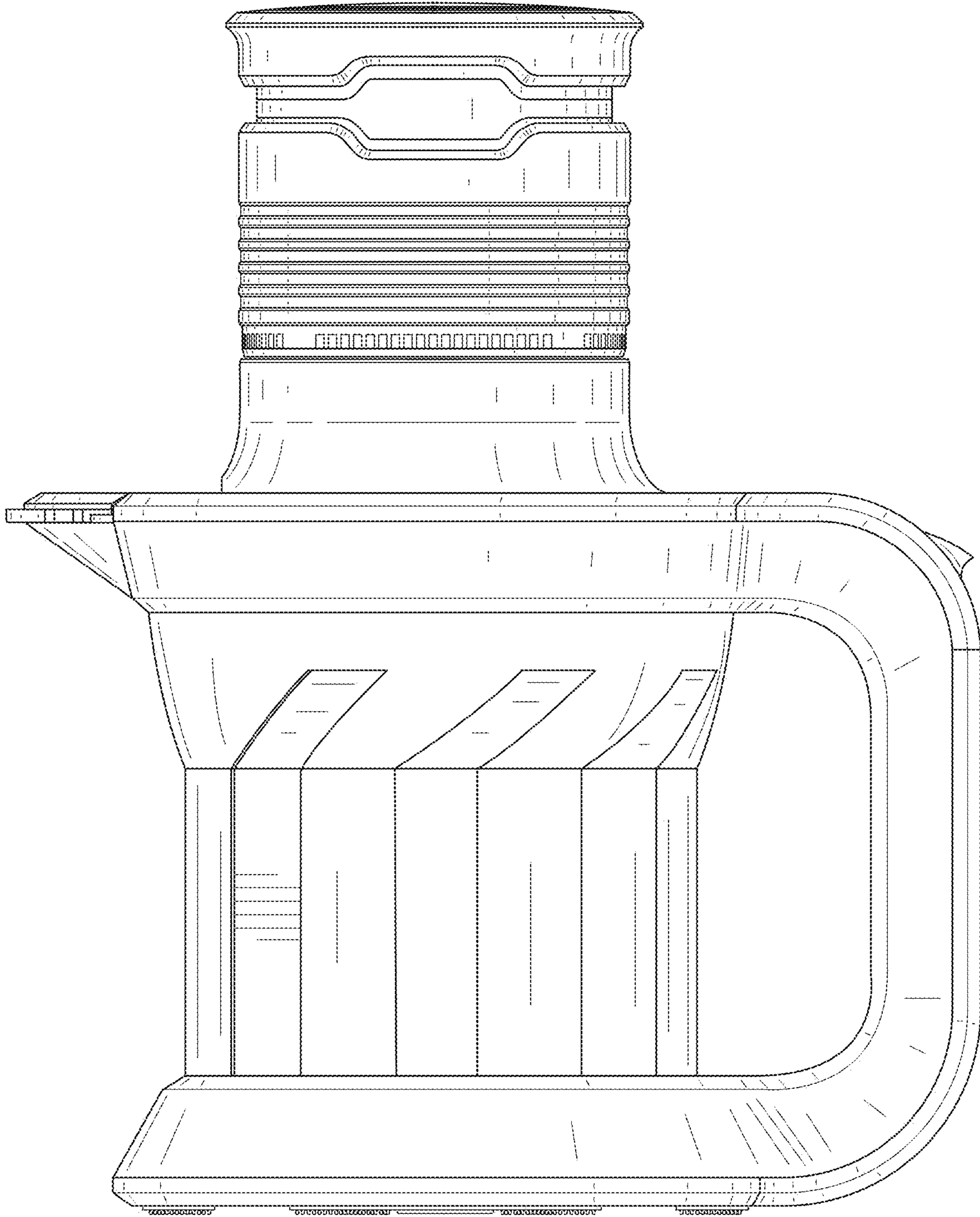


FIG. 9

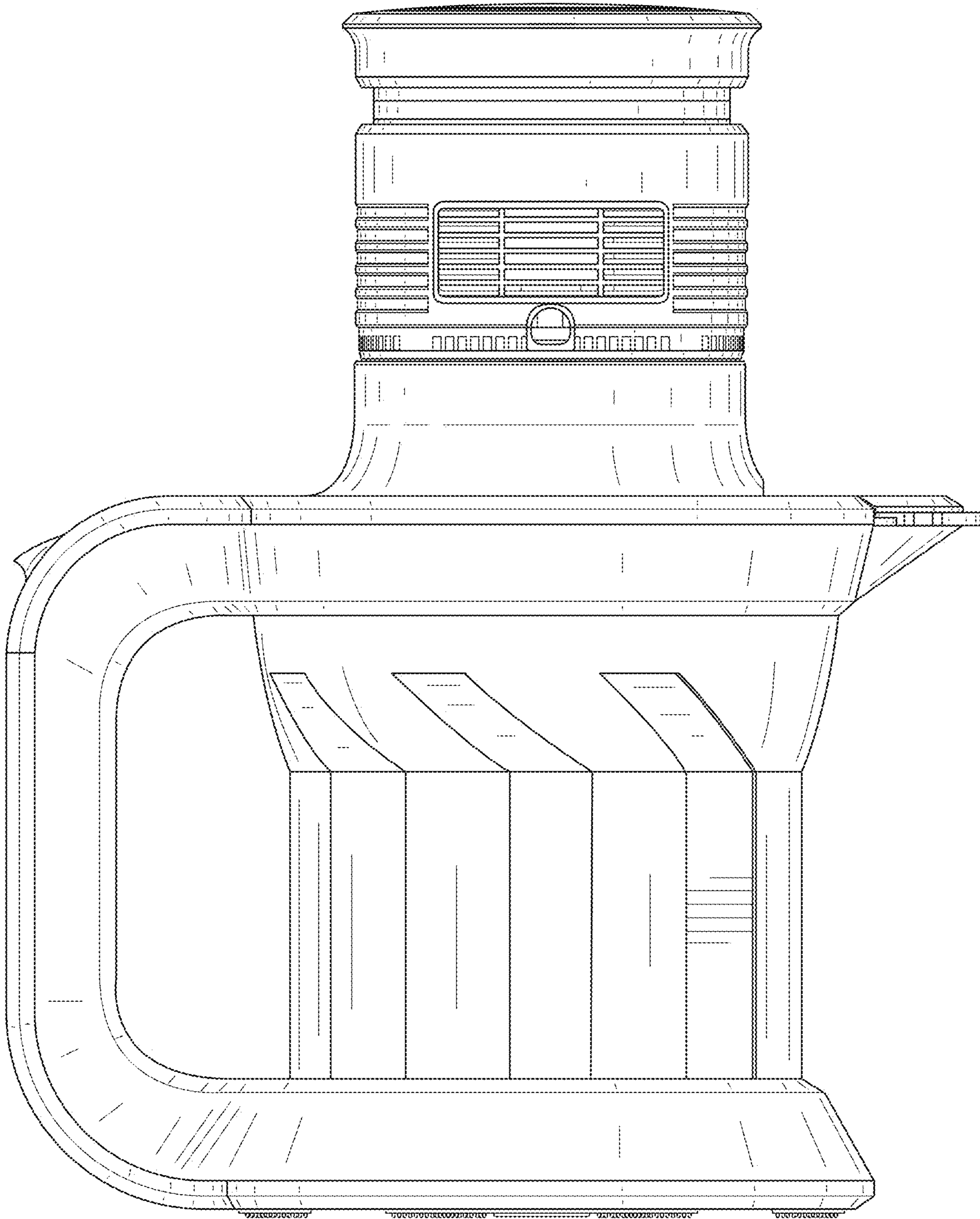


FIG. 10

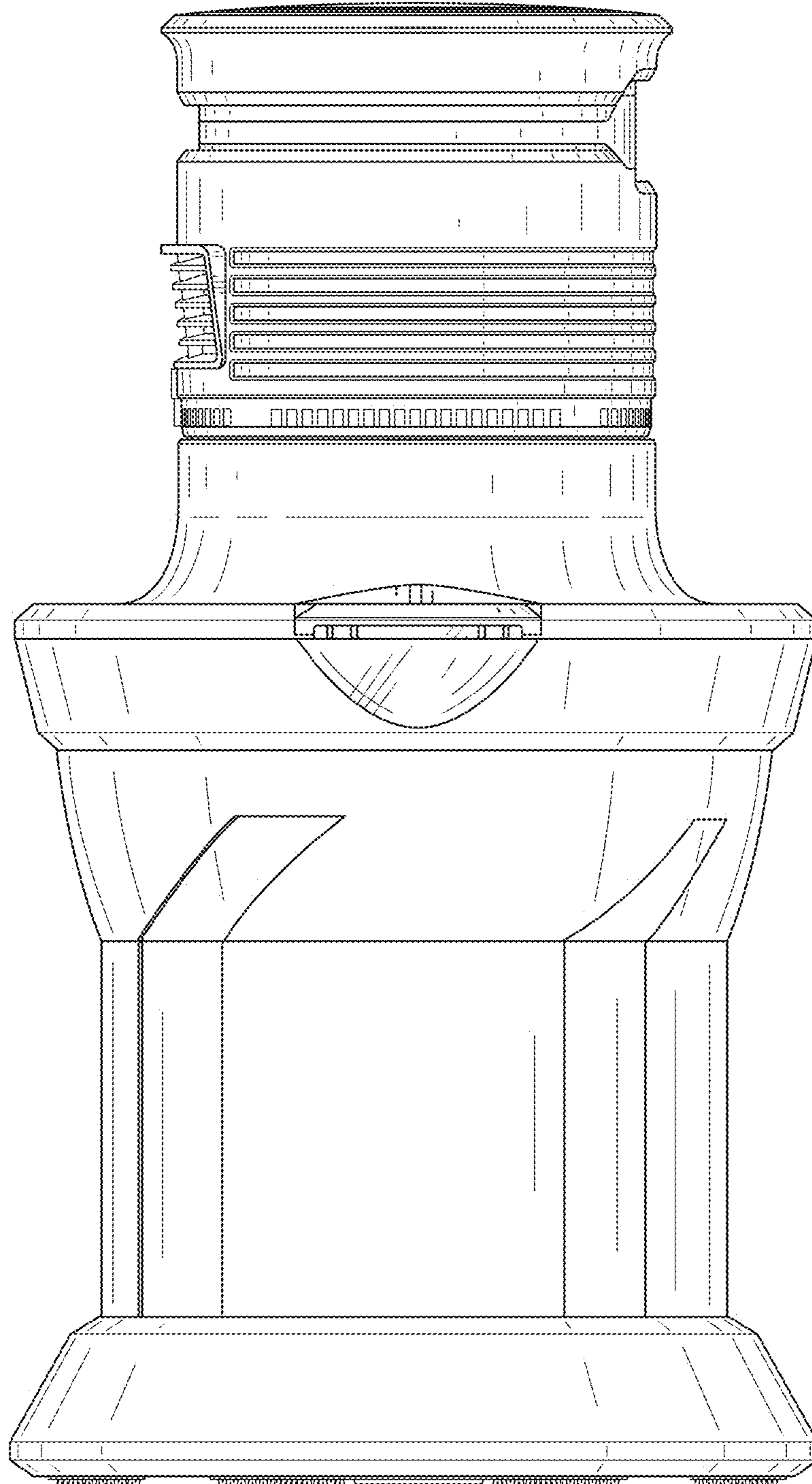


FIG. 11

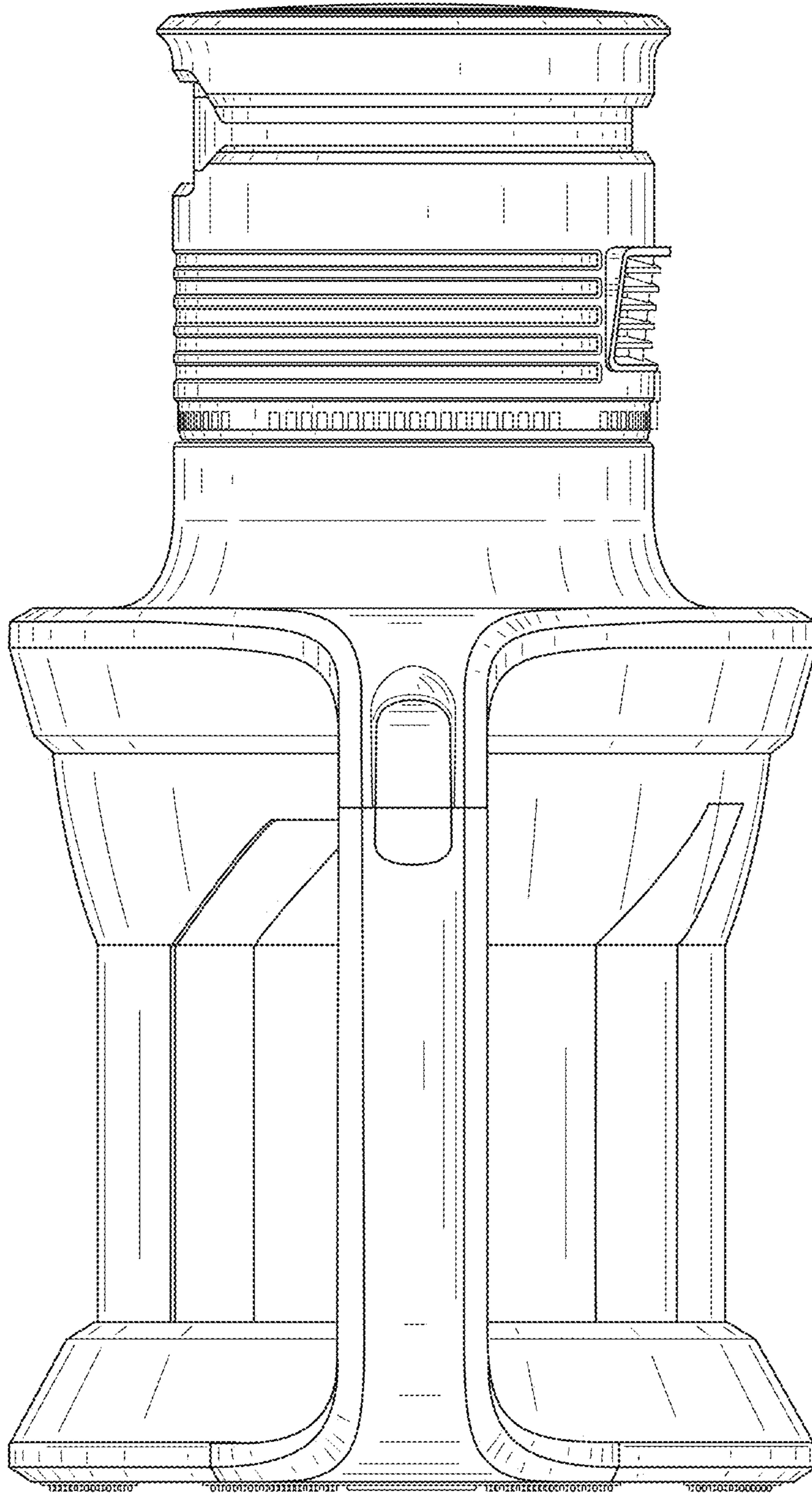


FIG. 12

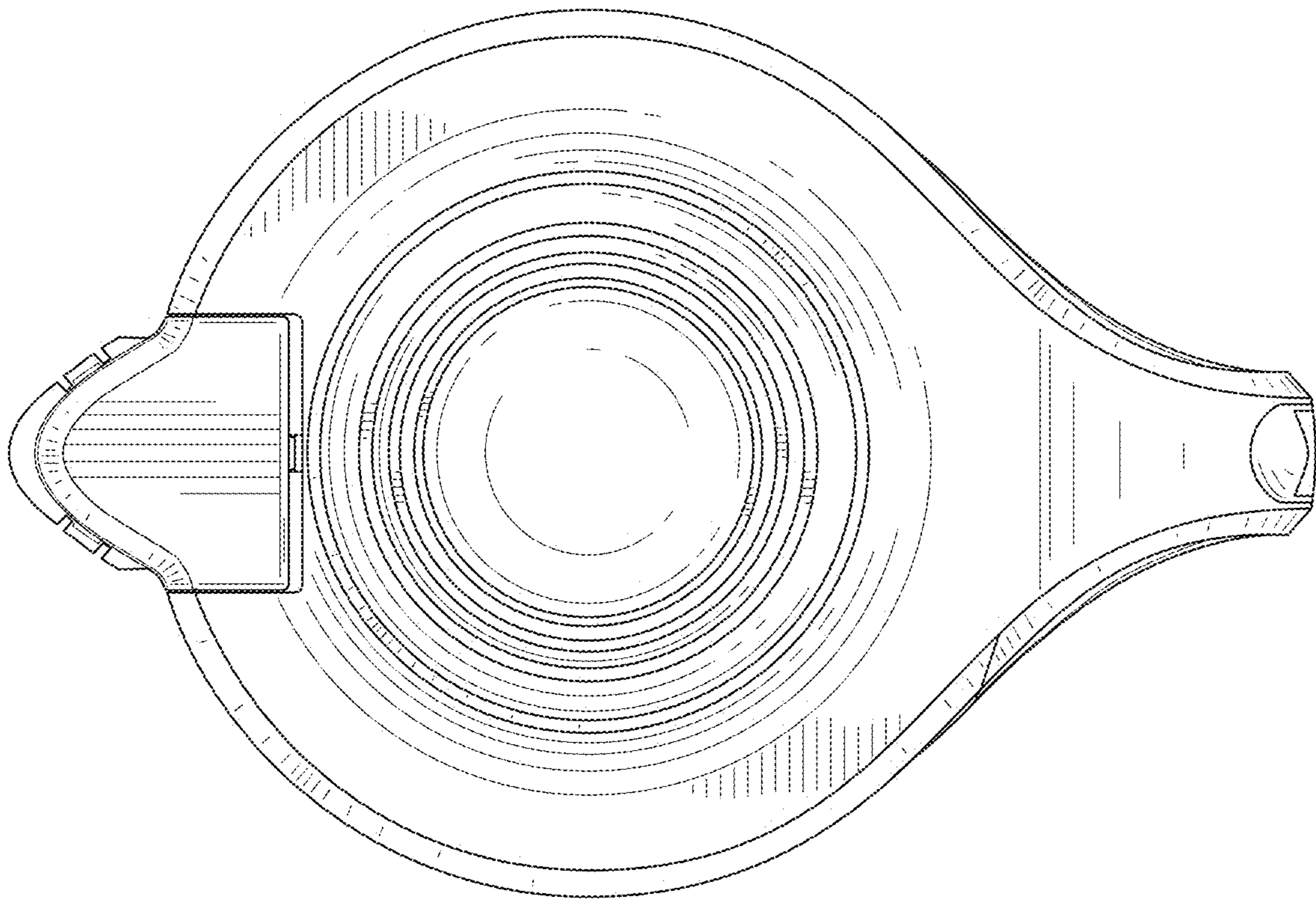


FIG. 13

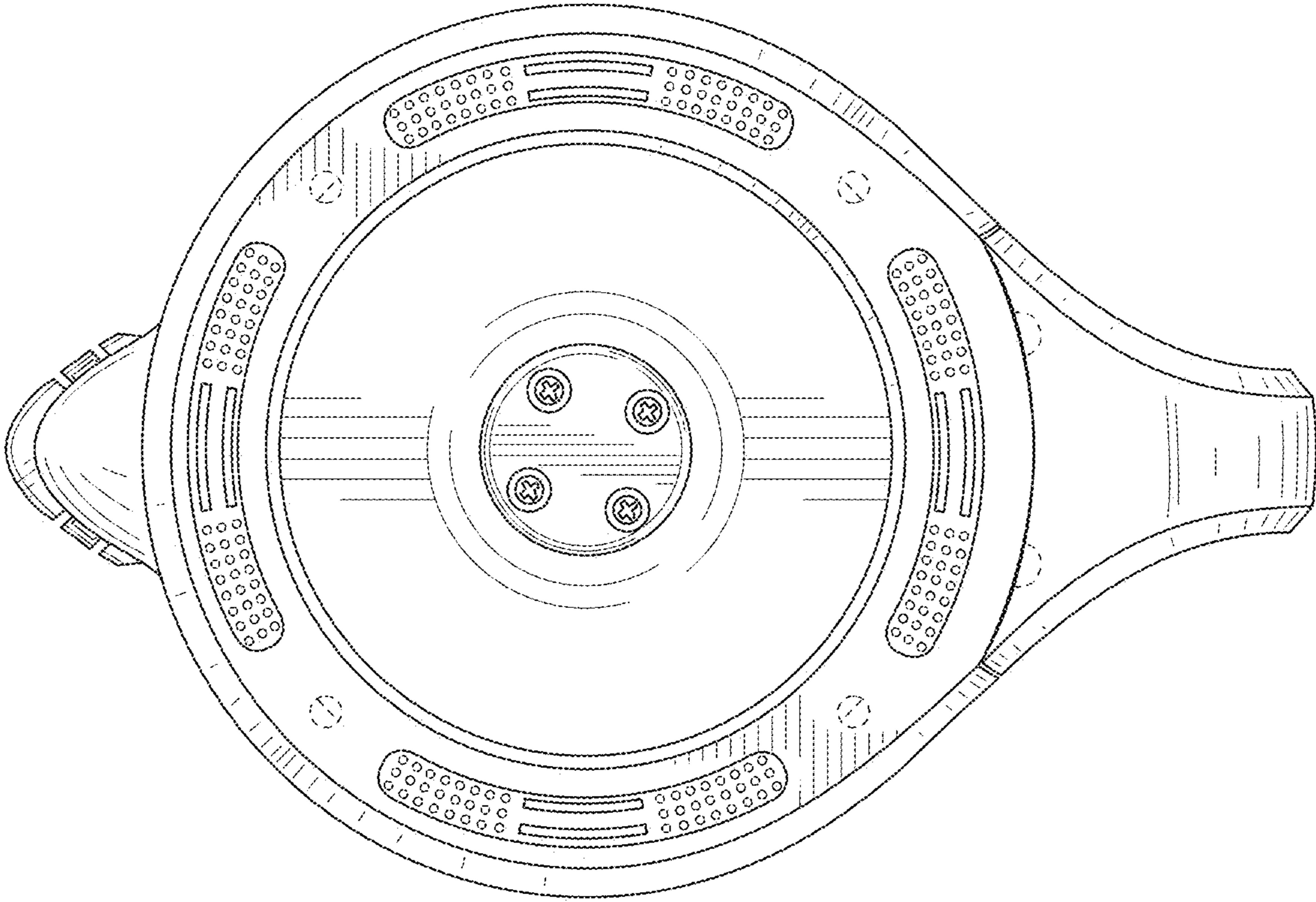


FIG. 14