



US00D882330S

(12) **United States Design Patent**  
**Katz**

(10) **Patent No.:** **US D882,330 S**

(45) **Date of Patent:** **\*\* Apr. 28, 2020**

- (54) **FRYING PAN**
- (71) Applicant: **Marc Katz**, Westlake Village, CA (US)
- (72) Inventor: **Marc Katz**, Westlake Village, CA (US)
- (73) Assignee: **KATZ HORIZONS LLC**, Westlake Village, CA (US)

D381,555 S *	7/1997	Baker	.....	D7/354
6,237,470 B1 *	5/2001	Adams	.....	A47J 37/101
				220/573.1
6,497,174 B1	12/2002	Cacace		
D497,767 S *	11/2004	Cacace	.....	D7/361
D545,630 S *	7/2007	Serra	.....	D7/545
D557,063 S *	12/2007	Delaquis	.....	D7/361
D798,651 S *	10/2017	Yu	.....	D7/361
D829,490 S *	10/2018	Dhirmalani	.....	D7/361
2014/0319152 A1 *	10/2014	Suck	.....	A47J 27/002
				220/573.1

(\*\*) Term: **15 Years**

(21) Appl. No.: **29/666,337**

(22) Filed: **Oct. 11, 2018**

(51) **LOC (12) Cl.** ..... **07-02**

(52) **U.S. Cl.**  
USPC ..... **D7/354; D7/361**

(58) **Field of Classification Search**  
USPC ..... D7/323, 354-363, 391, 393-396, 409, D7/560

CPC ..... A47G 19/12; A47J 27/00; A47J 27/002; A47J 27/08; A47J 27/21; A47J 27/58; A47J 36/025; A47J 36/06; A47J 36/12; A47J 37/00; A47J 37/002; A47J 37/10; A47J 37/101; A47J 37/103; A47J 37/12; A47J 37/1204; A47J 45/061; A47J 45/071; A47J 45/08; H05B 6/12

See application file for complete search history.

(56) **References Cited**

**U.S. PATENT DOCUMENTS**

1,398,655 A *	11/1921	Smith	.....	A47J 37/10
				99/423
D380,934 S *	7/1997	Alarid, Jr.	.....	D7/354

\* cited by examiner

*Primary Examiner* — Ricky Pham

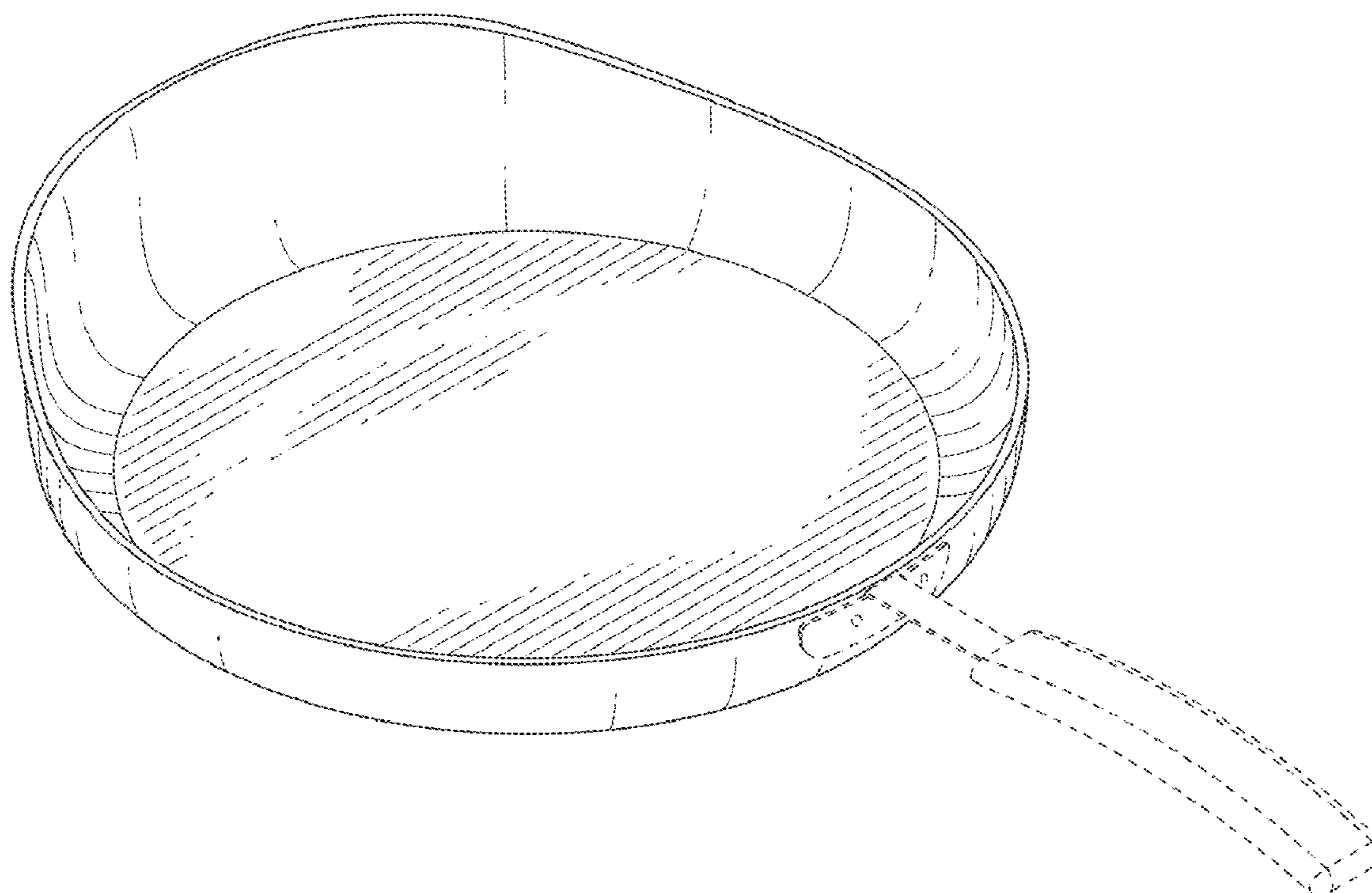
(57) **CLAIM**

The ornamental design for a frying pan, as shown and described.

**DESCRIPTION**

FIG. 1 is a top perspective view of a frying pan showing my new design;  
 FIG. 2 is a front elevational view thereof;  
 FIG. 3 is a rear elevational view thereof;  
 FIG. 4 is a top plan view thereof;  
 FIG. 5 is a bottom plan view thereof;  
 FIG. 6 is a left side elevational view thereof; and  
 FIG. 7 is a right side elevational view thereof; and,  
 FIG. 8 is another top perspective view thereof.  
 The broken line showing of the frying pan in FIGS. 1-8 are included for the purpose of showing environmental structure and form no part of the claimed design.

**1 Claim, 8 Drawing Sheets**



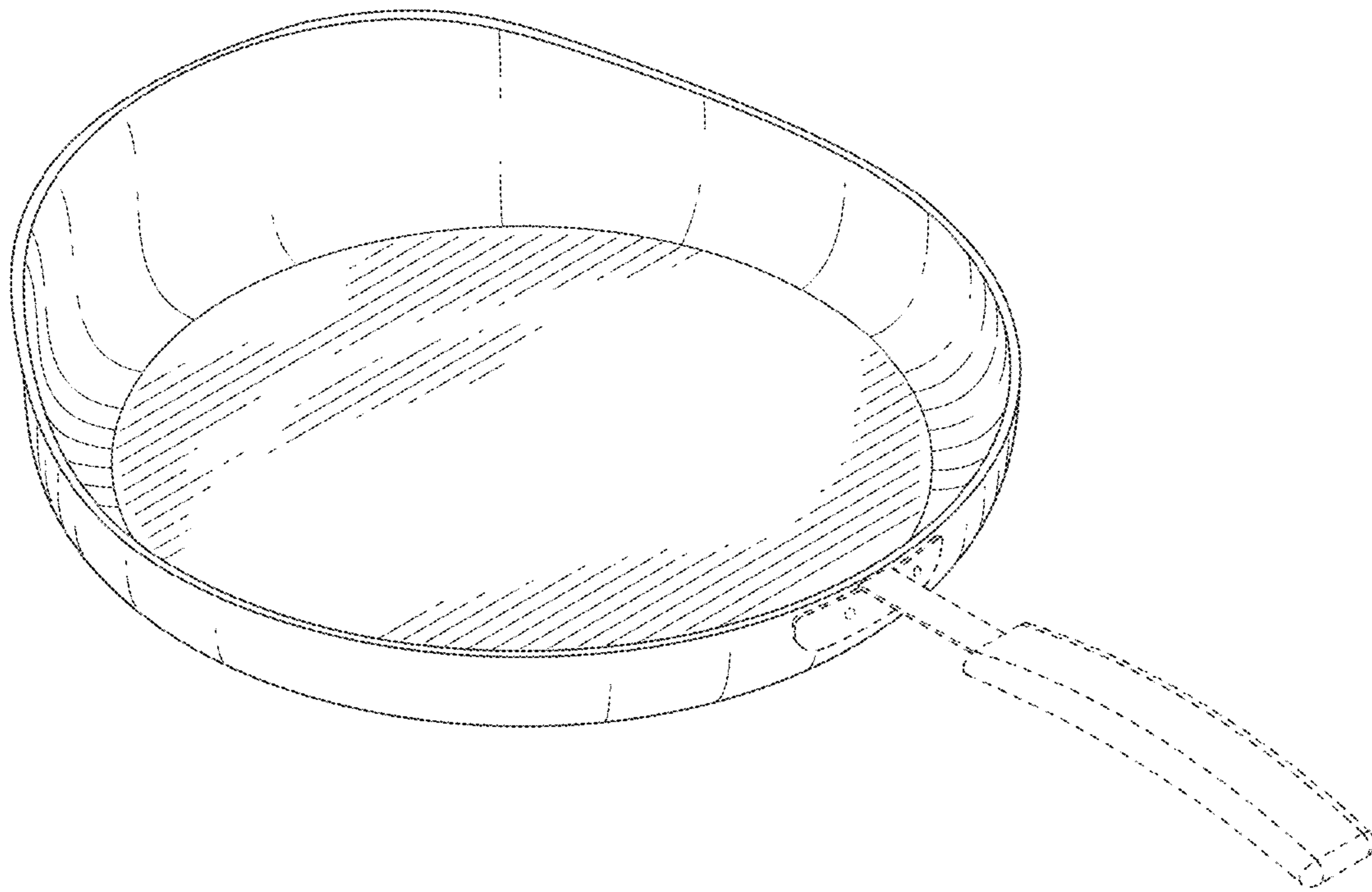


FIG. 1

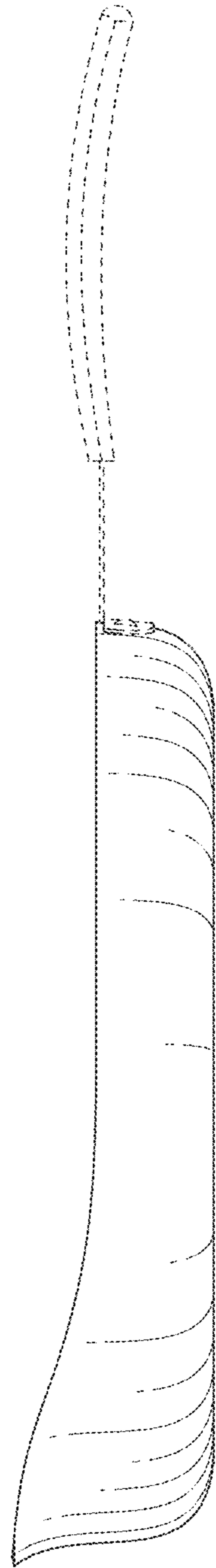


FIG. 2

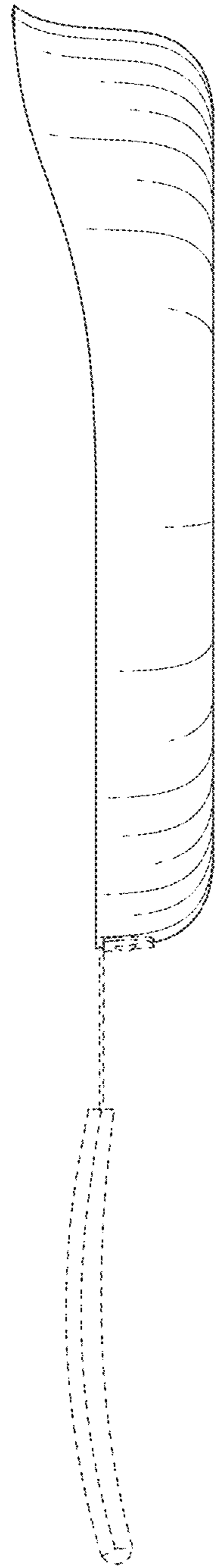


FIG. 3

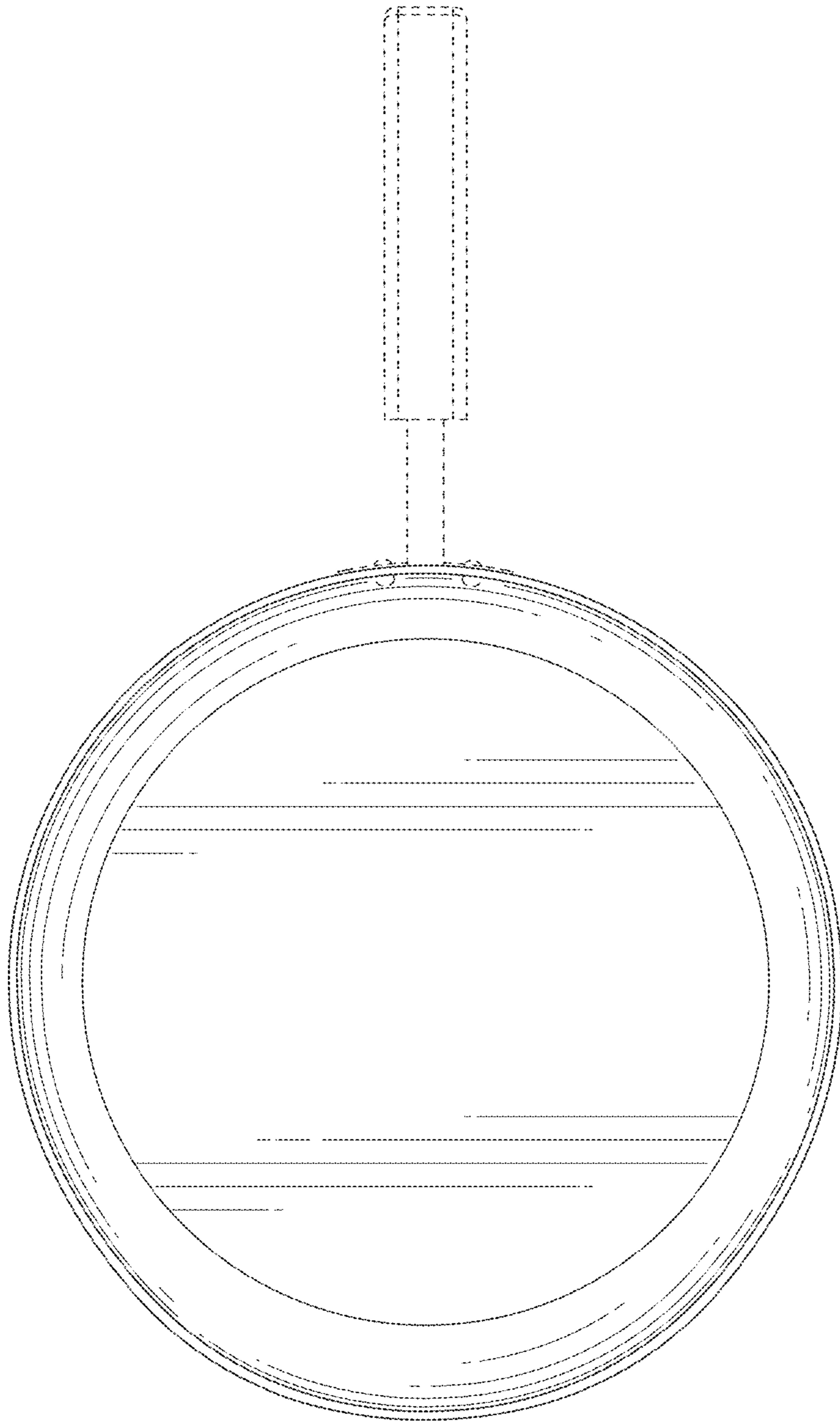


FIG. 4

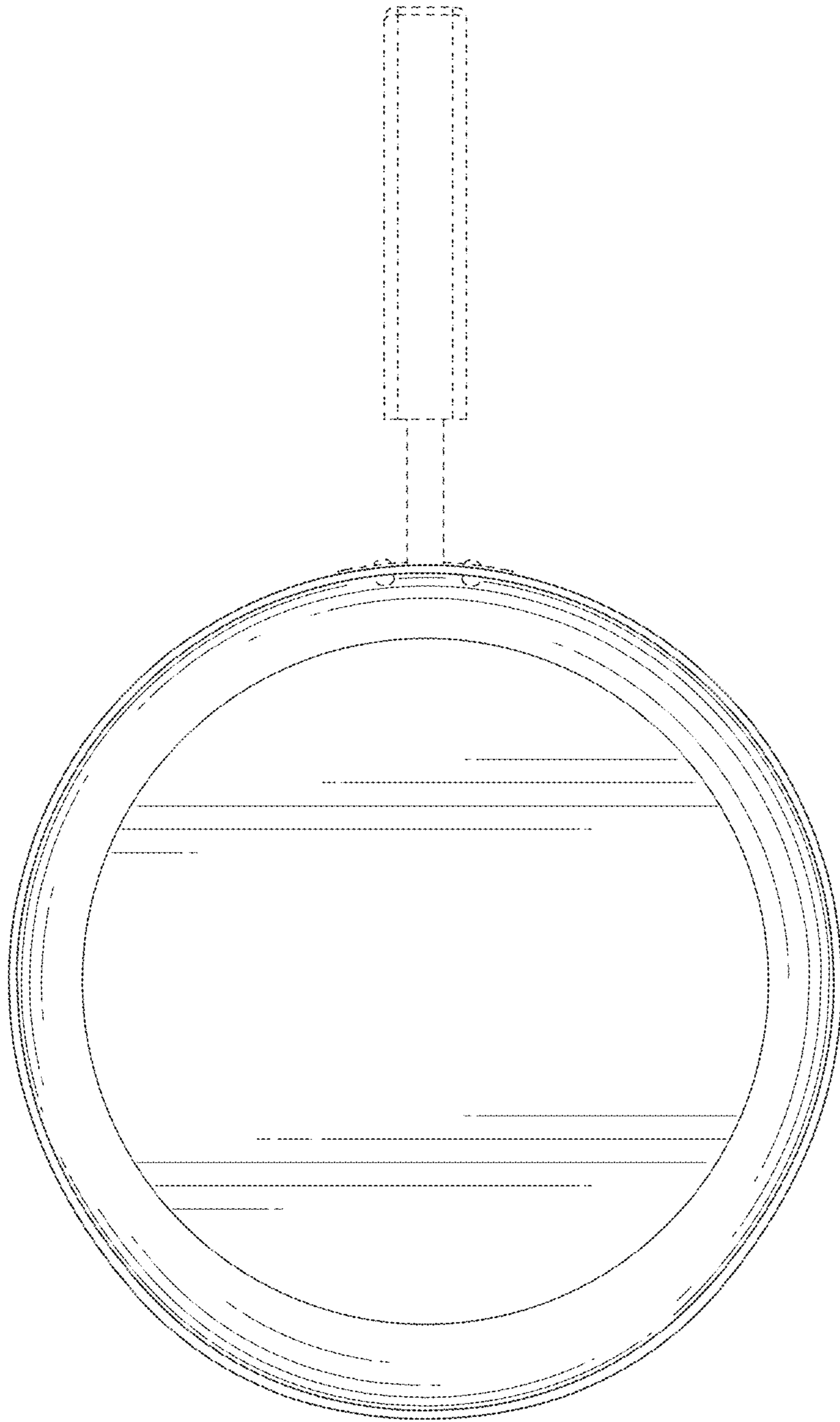


FIG. 5



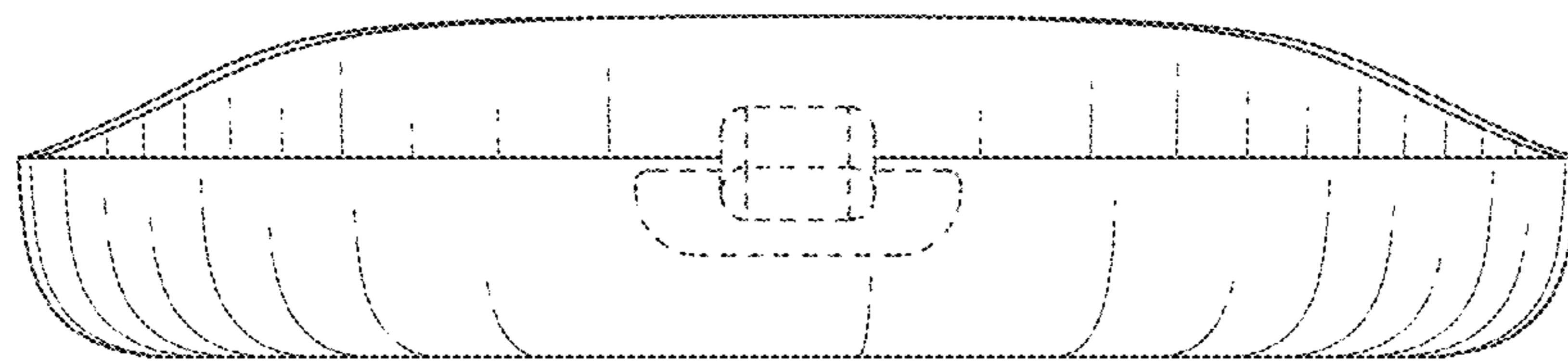


FIG. 6

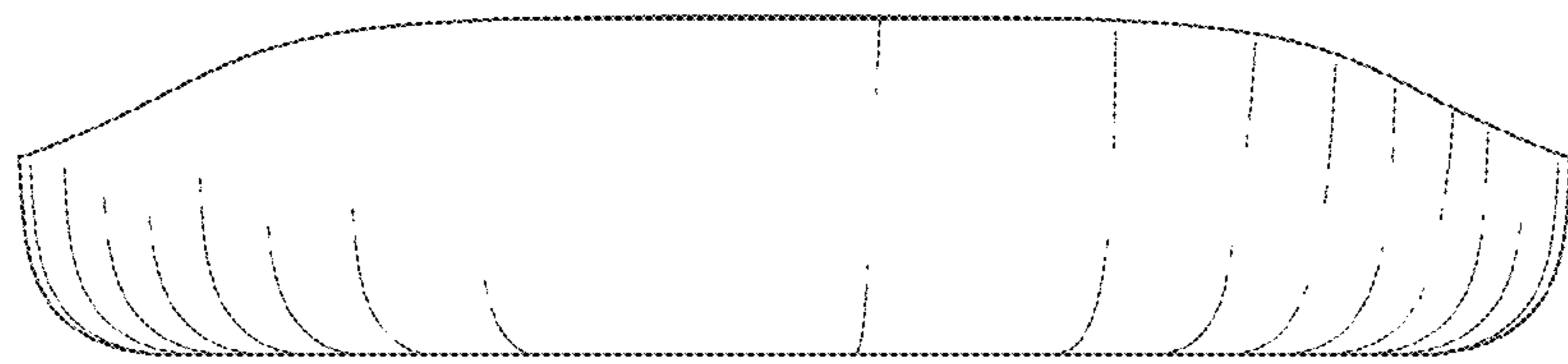


FIG. 7



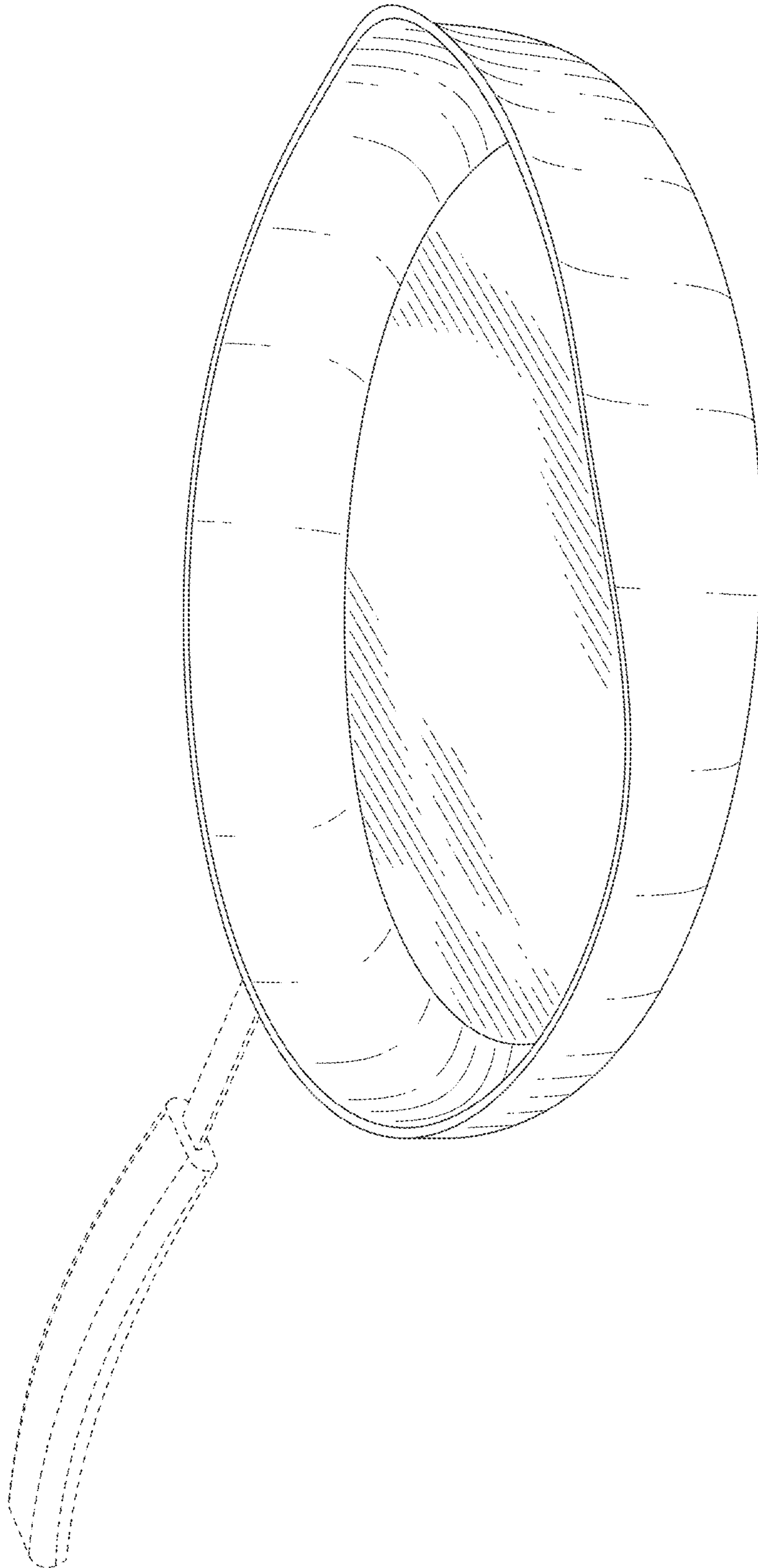


FIG. 8