



US00D882329S

(12) **United States Design Patent** (10) **Patent No.:** **US D882,329 S**
Varjabedian et al. (45) **Date of Patent:** **** Apr. 28, 2020**

(54) **FOOD PREPARATION DEVICE**
(71) Applicant: **SHARKNINJA OPERATING LLC**,
Needham, MA (US)
(72) Inventors: **Nicholas Varjabedian**, Middleboro,
MA (US); **Benjamin Lenart**, Malden,
MA (US)
(73) Assignee: **SHARKNINJA OPERATING LLC**,
Needham, MA (US)
(**) Term: **15 Years**
(21) Appl. No.: **29/659,574**
(22) Filed: **Aug. 9, 2018**
(51) **LOC (12) Cl.** **07-02**
(52) **U.S. Cl.**
USPC **D7/354; D7/361**
(58) **Field of Classification Search**
USPC D7/323, 354–361, 405
CPC A23L 1/01; A23L 1/0107; A23L 1/0114;
A47J 27/00; A47J 27/08; A47J 27/09;
A47J 27/092; A47J 36/025; A47J 36/06;
A47J 36/08; A47J 36/10; A47J 36/12;
A47J 36/165; A47J 36/18; A47J 36/20;
A47J 36/22; A47J 37/00; A47J 37/04;
A47J 37/12; A47J 37/1204; A47J
37/1209; A47J 37/1214; A47J 37/1219;
A47J 37/1266; A47J 37/1285; A47J
37/129; A47J 37/1295; G07F 17/0064;
G07F 17/0078; G07F 17/0085; H05B
6/02; H05B 6/06; H05B 6/12
See application file for complete search history.

(56) **References Cited**
U.S. PATENT DOCUMENTS
D532,248 S * 11/2006 Allende Fritsch D7/354
D672,600 S * 12/2012 Berge D7/354

D692,718 S 11/2013 Verbrugge et al.
D719,397 S 12/2014 Krooshof
D770,843 S 11/2016 Chung
D770,844 S 11/2016 Chung
D787,260 S 5/2017 Krooshof
D793,797 S 8/2017 Krooshof
D801,103 S 10/2017 Krooshof
D802,986 S 11/2017 Krooshof
D803,615 S 11/2017 Zhang et al.
D804,236 S 12/2017 Zhang et al.
D814,232 S * 4/2018 Barquin D7/354
D816,390 S 5/2018 Zhang et al.
D817,698 S * 5/2018 Liu D7/361
D820,031 S * 6/2018 Zhang D7/354
D836,381 S * 12/2018 Moon D7/354
D839,040 S * 1/2019 Seymour D7/354
D841,388 S * 2/2019 Zhang D7/354

(Continued)

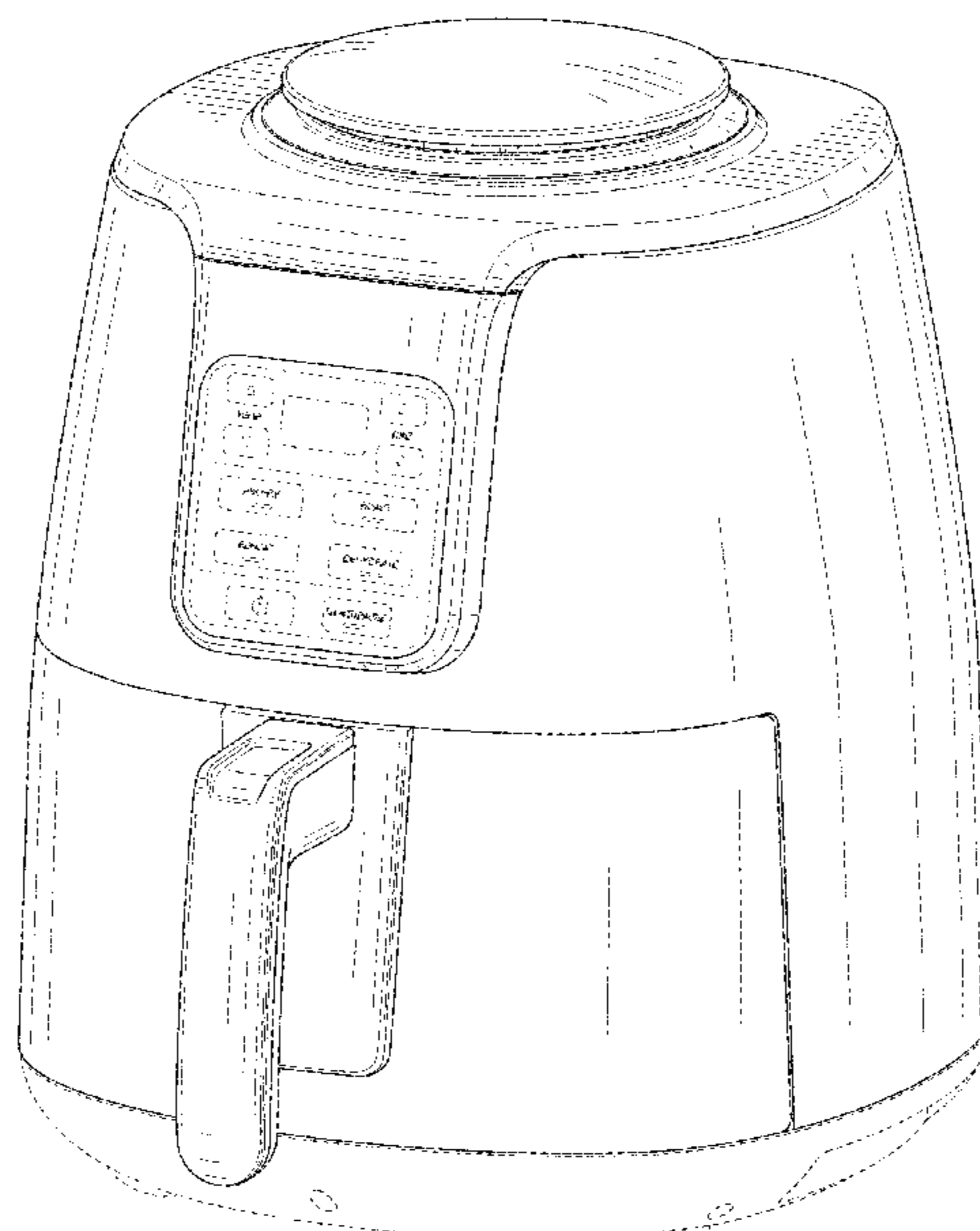
Primary Examiner — Ricky Pham
(74) *Attorney, Agent, or Firm* — Cantor Colburn LLP

(57) **CLAIM**
The ornamental design for a food preparation device, as shown and described.

DESCRIPTION

FIG. 1 is a perspective view of a food preparation device, showing our new design;
FIG. 2 is a front view of the embodiment shown in FIG. 1;
FIG. 3 is a rear view of the embodiment shown in FIG. 1;
FIG. 4 is side view of the embodiment shown in FIG. 1;
FIG. 5 is another side view of the embodiment shown in FIG. 1;
FIG. 6 is a top view of the embodiment shown in FIG. 1; and,
FIG. 7 is a bottom view of the embodiment shown in FIG. 1.
The broken lines in the figures are for environmental purposes only and form no part of the claimed design.

1 Claim, 7 Drawing Sheets



(56)

References Cited

U.S. PATENT DOCUMENTS

D844,369 S * 4/2019 De' Longhi D7/354
D848,200 S * 5/2019 Kowalewski D7/354
D855,396 S * 8/2019 Zhang D7/405
2014/0366746 A1* 12/2014 Tsai A47J 37/00
99/403
2016/0192808 A1* 7/2016 Van Der Burg A47J 37/04
99/443 C

* cited by examiner

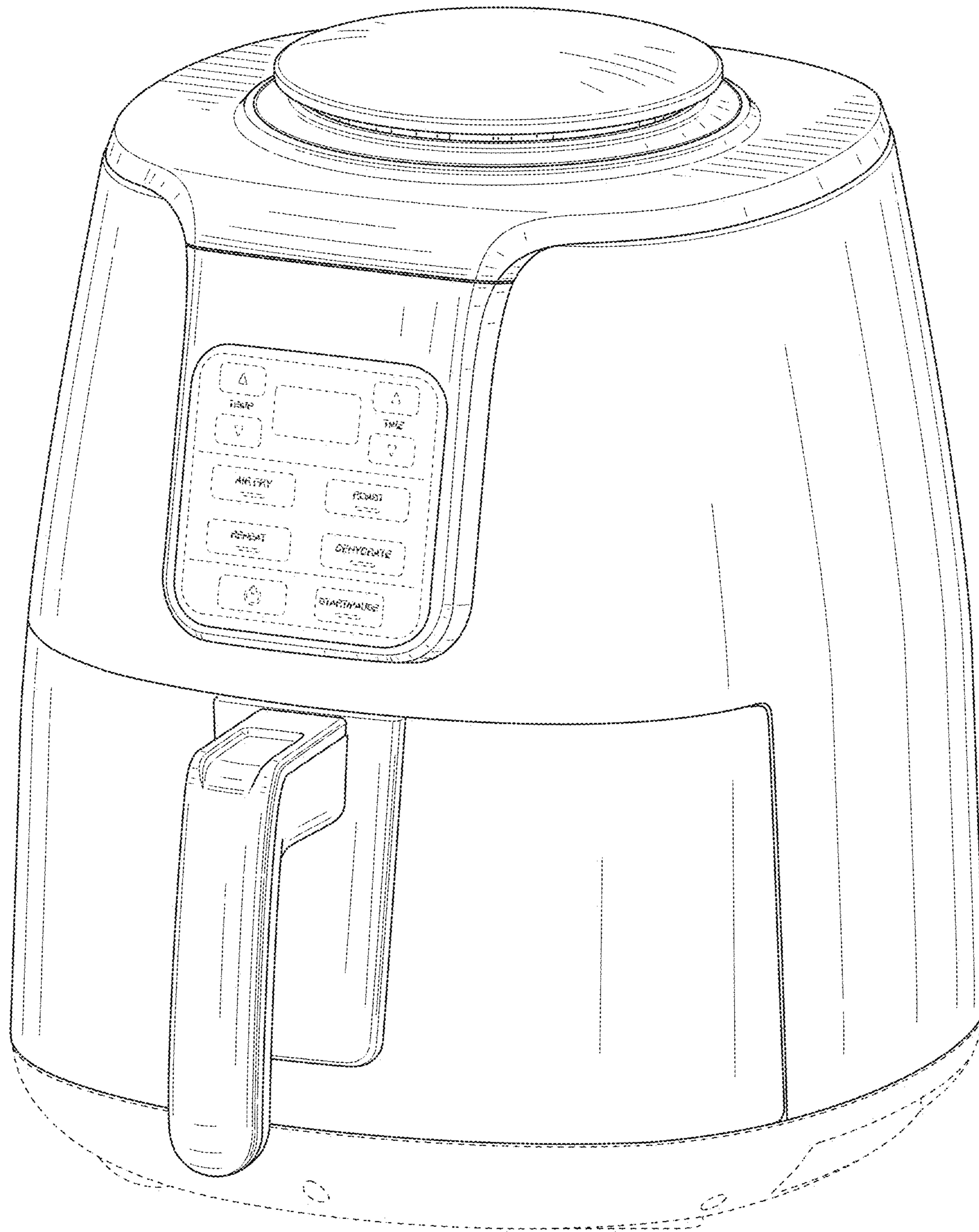


FIG. 1

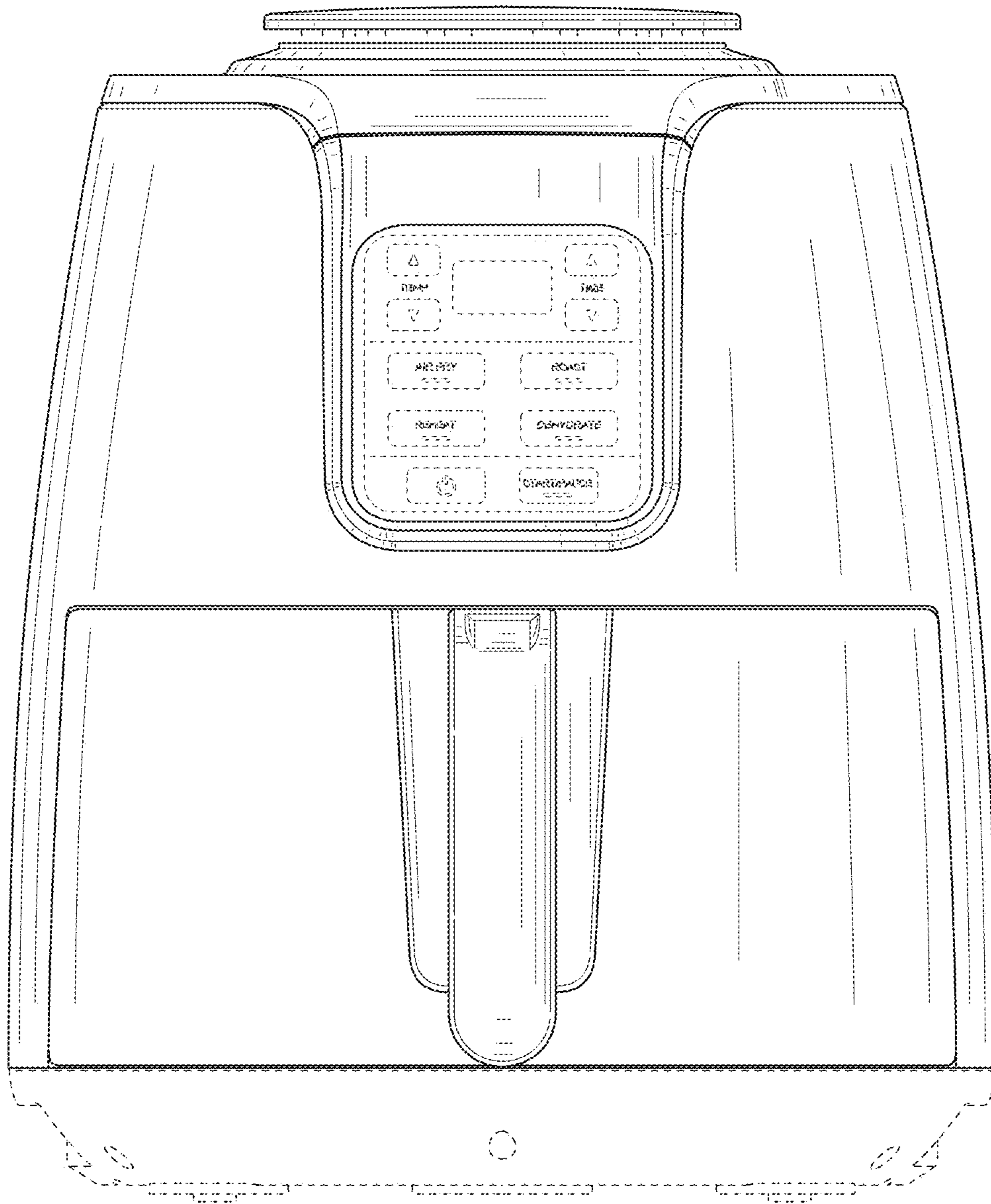


FIG. 2

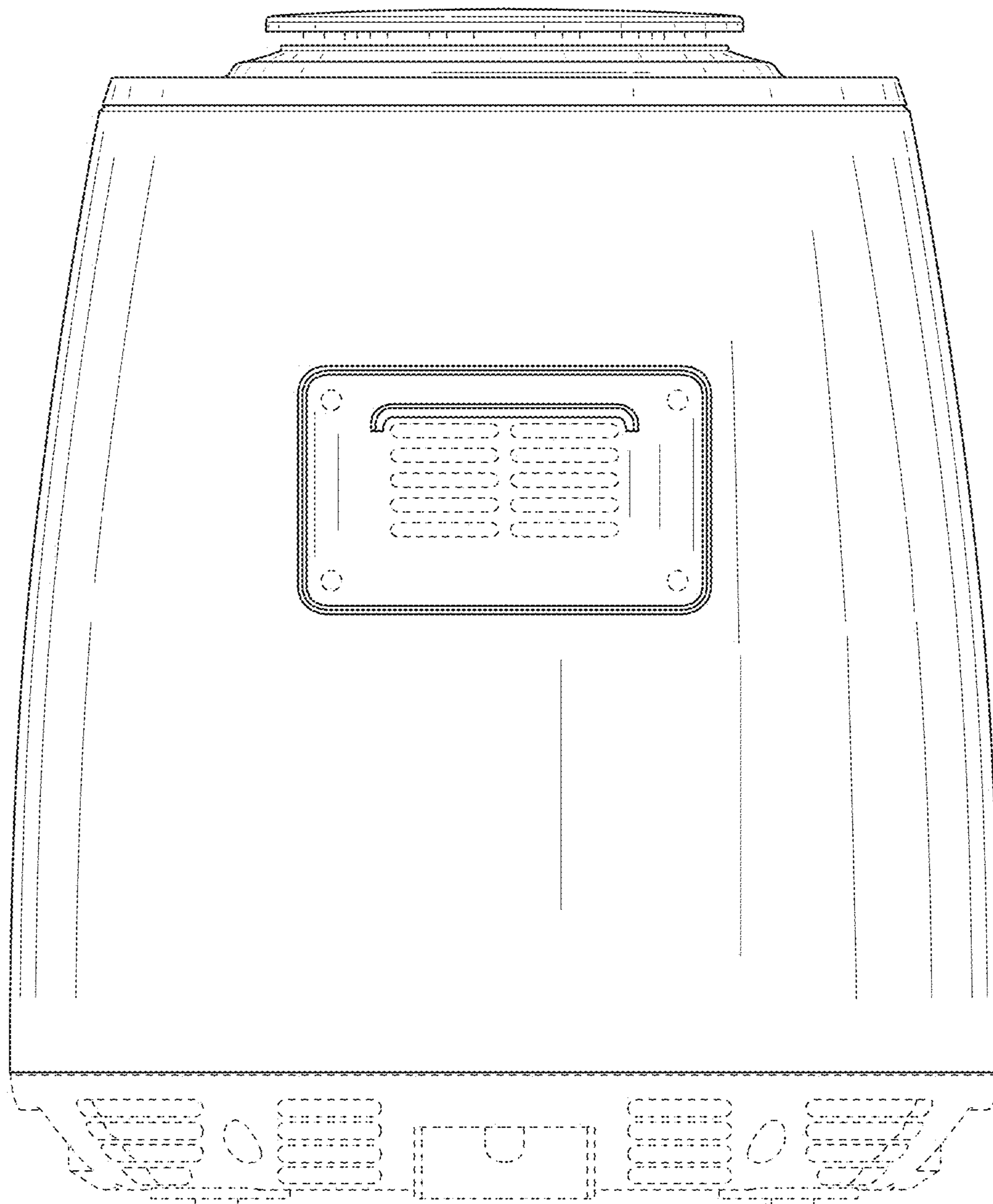


FIG. 3

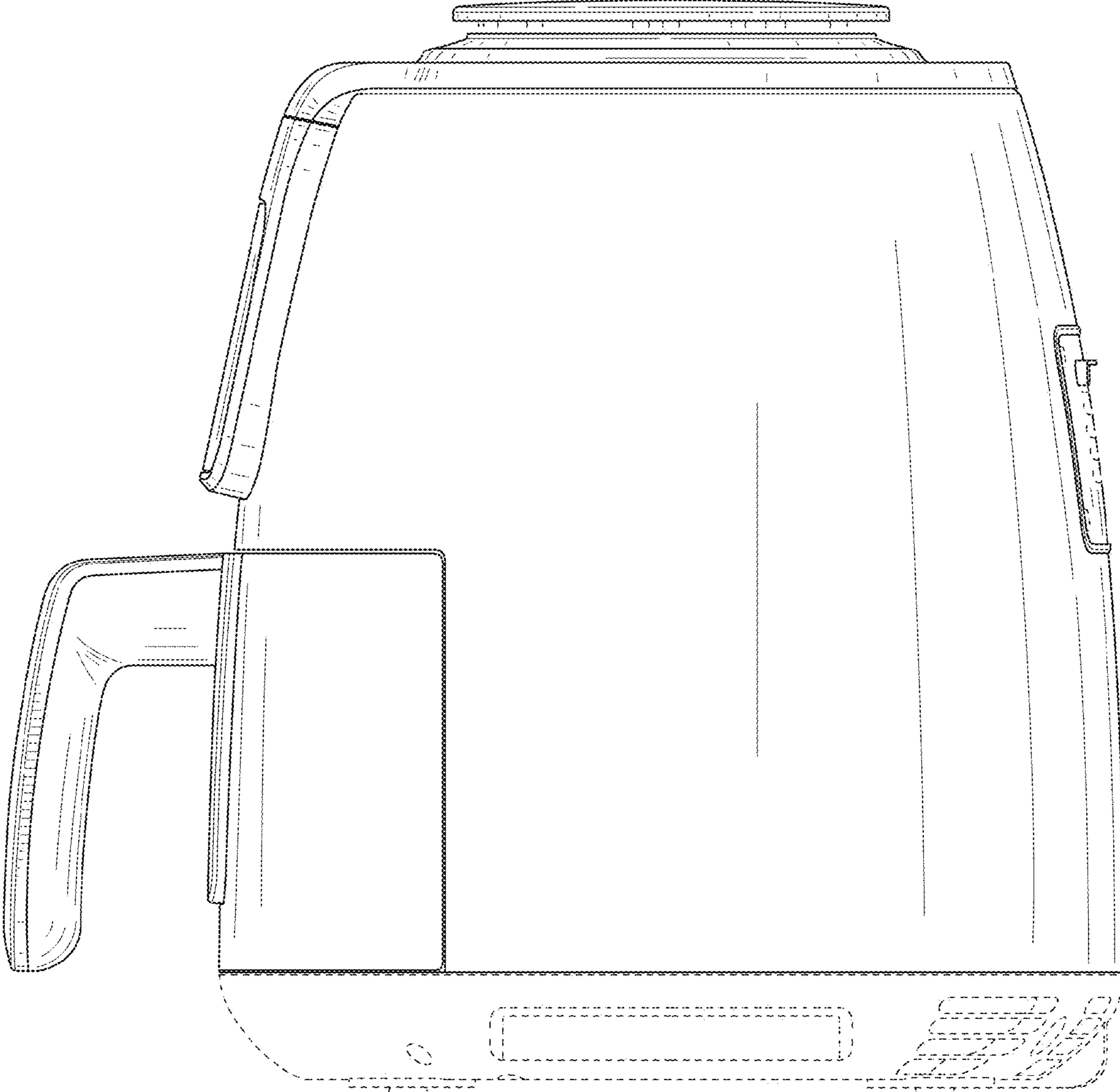


FIG. 4

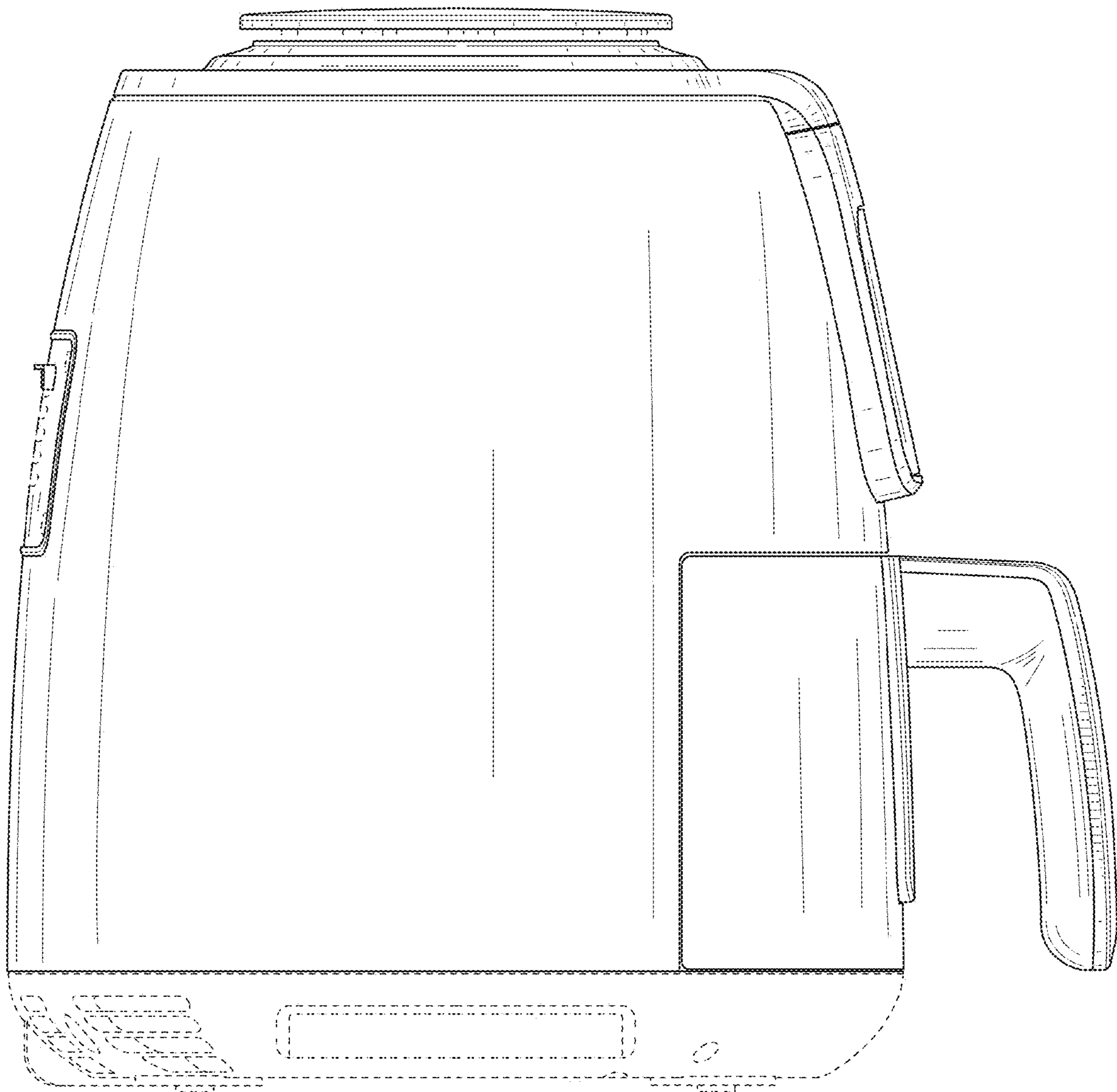


FIG. 5

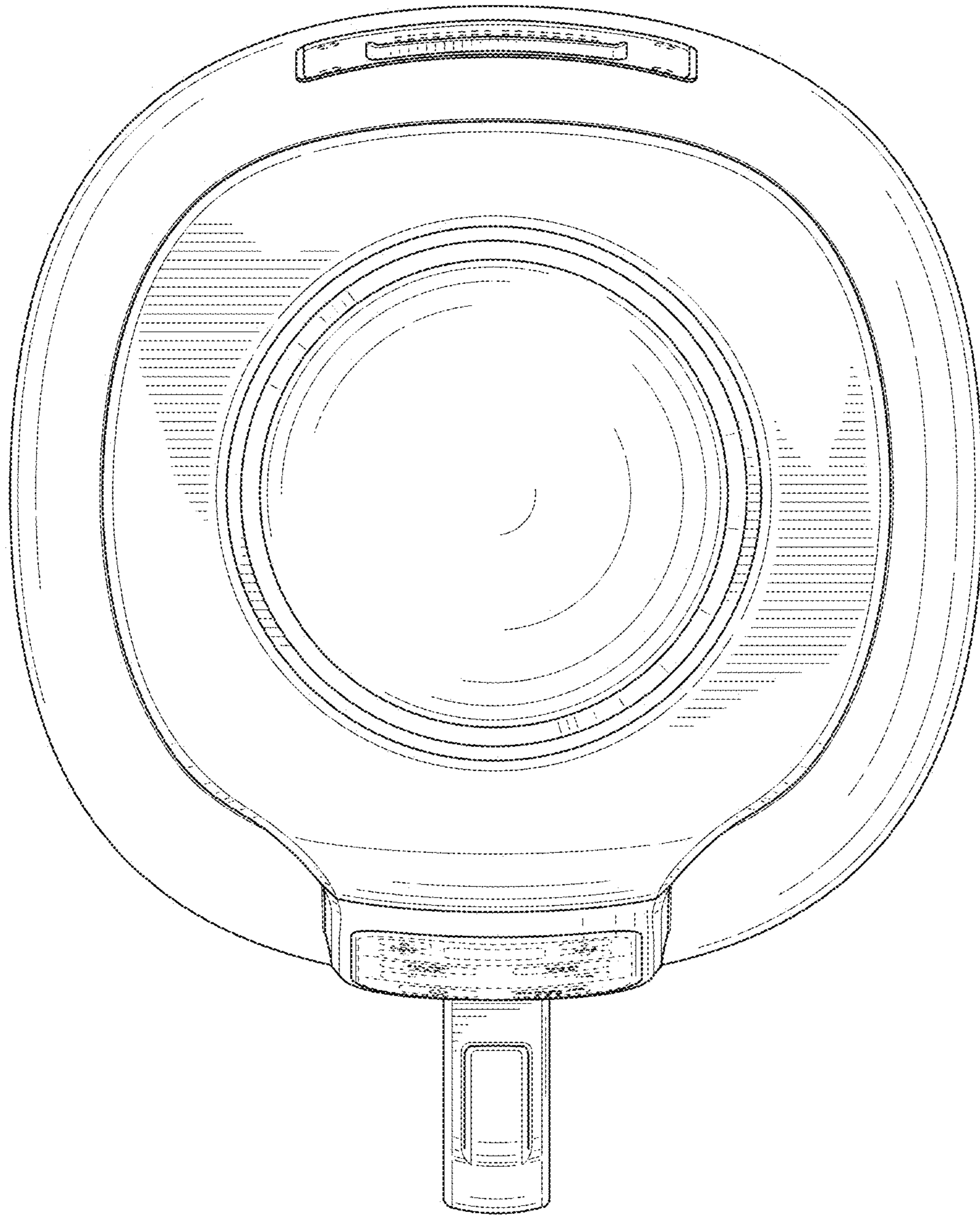


FIG. 6

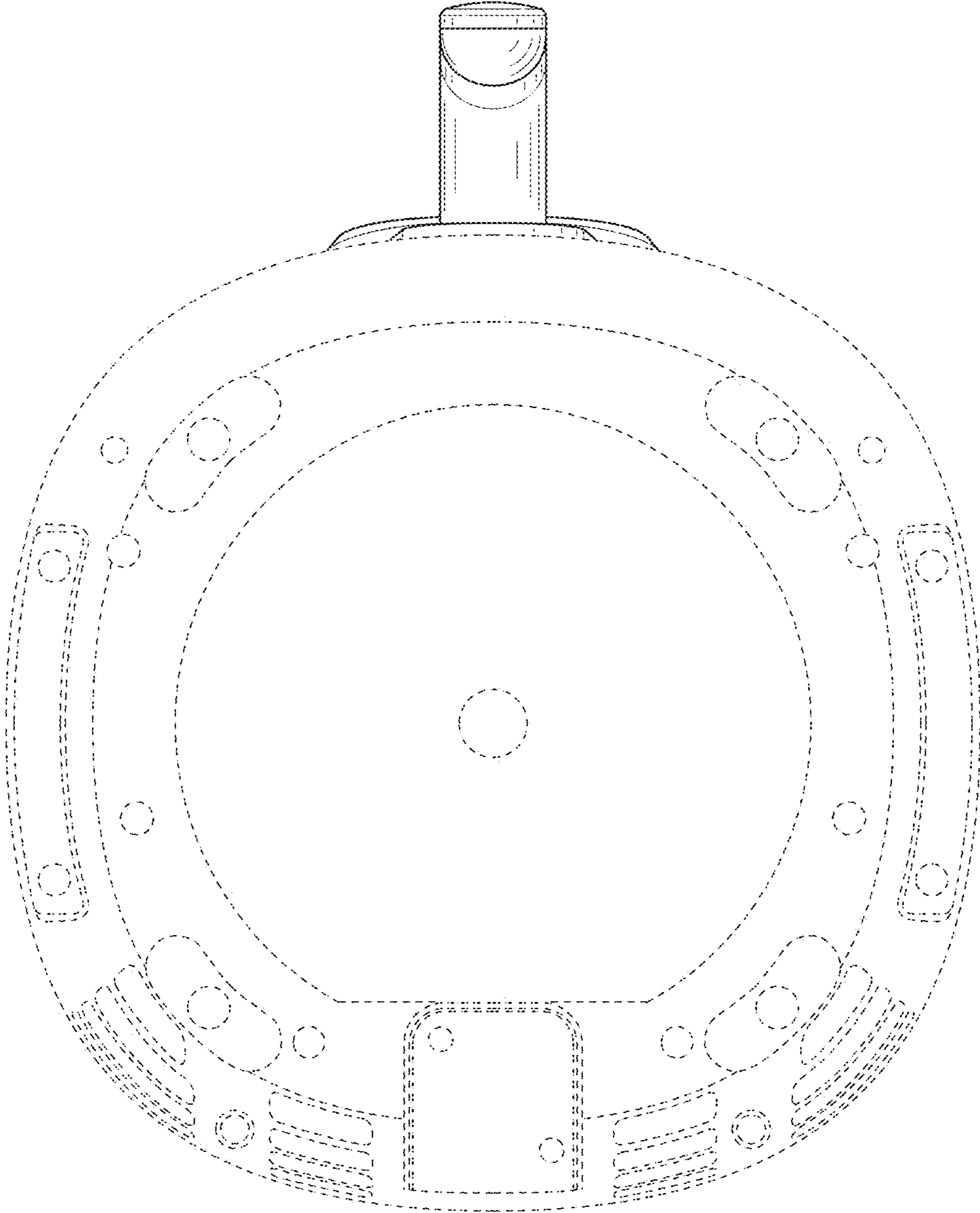


FIG. 7