



US00D882327S

(12) **United States Design Patent**
Wilcox

(10) **Patent No.:** **US D882,327 S**

(45) **Date of Patent:** **** Apr. 28, 2020**

(54) **WAGON GRILL COVER**

(71) Applicant: **Clifton Wilcox**, Fredericksburg, VA
(US)

(72) Inventor: **Clifton Wilcox**, Fredericksburg, VA
(US)

(**) Term: **15 Years**

(21) Appl. No.: **29/664,813**

(22) Filed: **Sep. 27, 2018**

(51) **LOC (12) Cl.** **07-02**

(52) **U.S. Cl.**
USPC **D7/352**; D7/391; D7/402

(58) **Field of Classification Search**
USPC D6/523; D7/323, 328-334, 335, 337,
D7/347, 352-364, 367, 402, 409-411;
D9/672

CPC . A21B 5/023; A47J 27/60; A47J 27/62; A47J
37/04; A47J 37/06; A47J 37/067; A47J
37/0605; A47J 37/0611; A47J 37/0623;
A47J 37/0629; A47J 37/0676; A47J
2037/06; A47J 2037/0611; F24C 15/10;
F24C 15/102; H05B 6/02; H05B 6/062
See application file for complete search history.

(56) **References Cited**

U.S. PATENT DOCUMENTS

D67,041 S * 4/1925 Long D9/672
D260,069 S * 8/1981 Birmingham D7/335

D282,519 S * 2/1986 Sustana D7/334
D326,583 S * 6/1992 Lutter D7/332
D373,047 S * 8/1996 McCrary D7/334
D510,677 S * 10/2005 Steinberg D7/352
D521,787 S * 5/2006 Nida D6/521
D559,612 S * 1/2008 Yount D7/334
D592,004 S * 5/2009 Loving D7/337

* cited by examiner

Primary Examiner — Ricky Pham

(74) *Attorney, Agent, or Firm* — Attentive Law Group;
Paul Ratcliffe

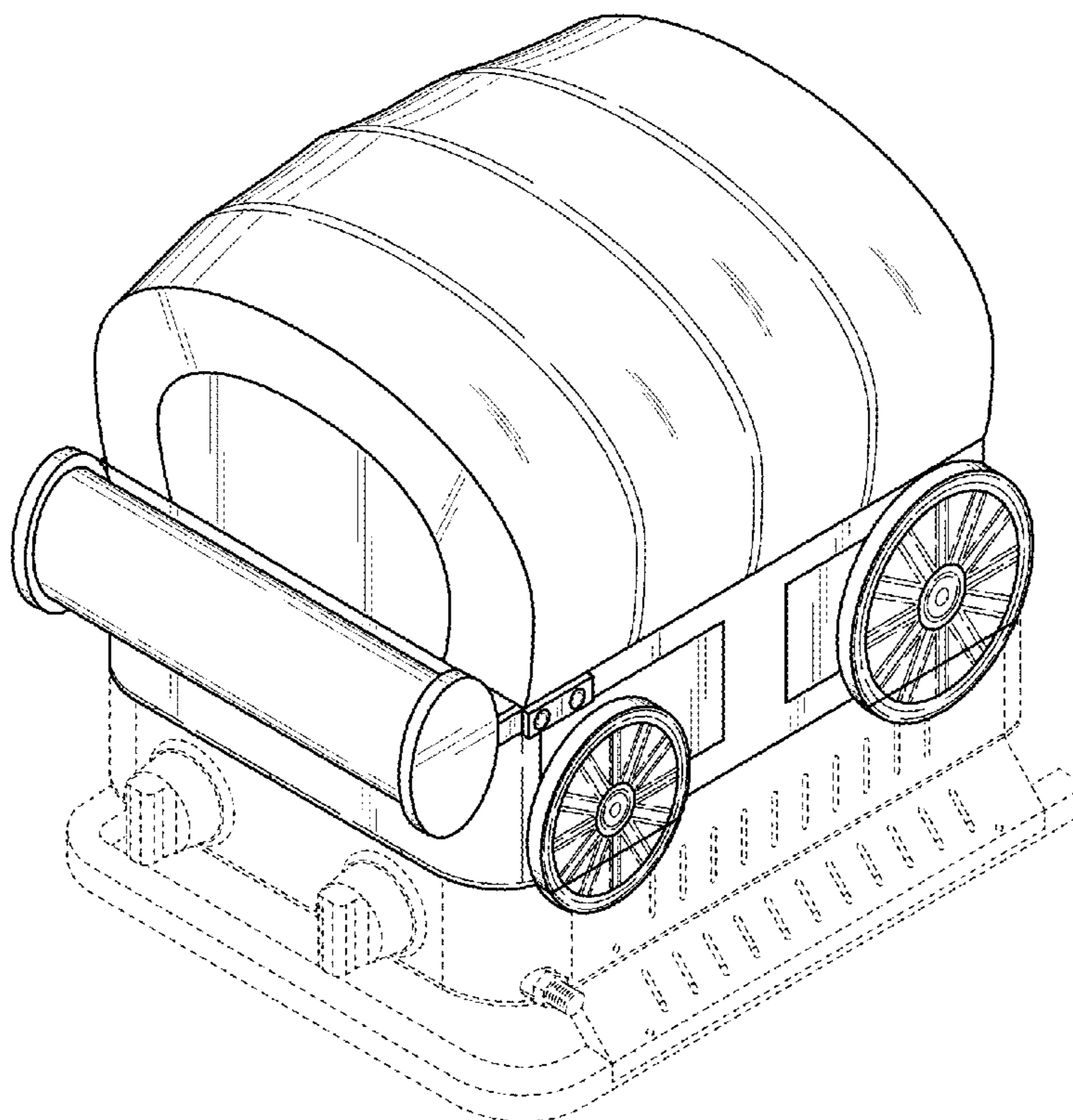
(57) **CLAIM**

The ornamental design for a wagon grill cover, as shown and described.

DESCRIPTION

FIG. 1 is a perspective view of a wagon grill cover of the present invention;
FIG. 2 is a front elevational view thereof;
FIG. 3 is back elevational view thereof;
FIG. 4 is a right side elevational view thereof;
FIG. 5 is a left side elevational view thereof;
FIG. 6 is a top plan view thereof; and,
FIG. 7 is a bottom plan view thereof.
The portions of the Figure shown in dashed lines are for illustrative purposes only and form no part of the claimed invention.

1 Claim, 7 Drawing Sheets



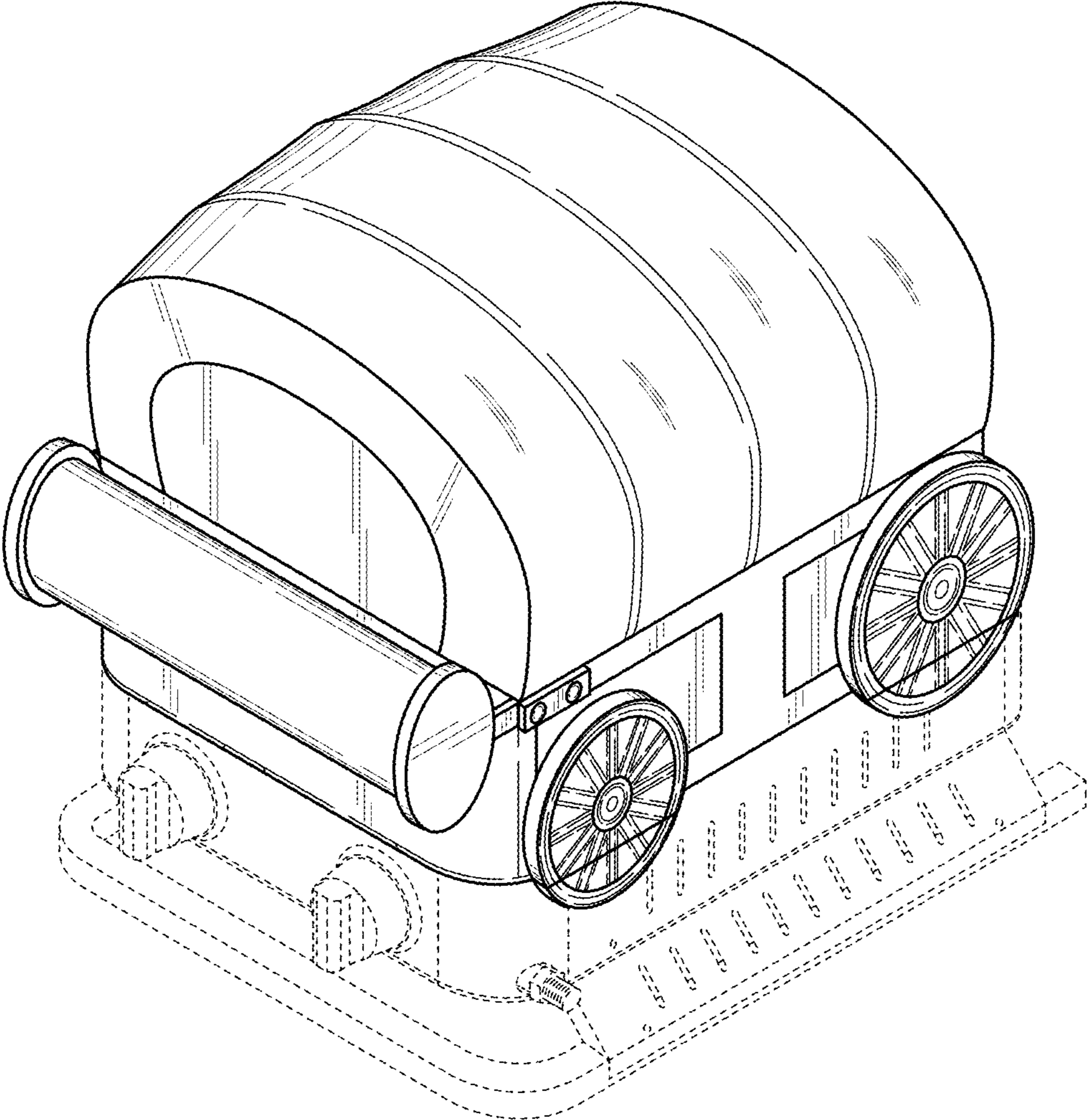


FIG. 1

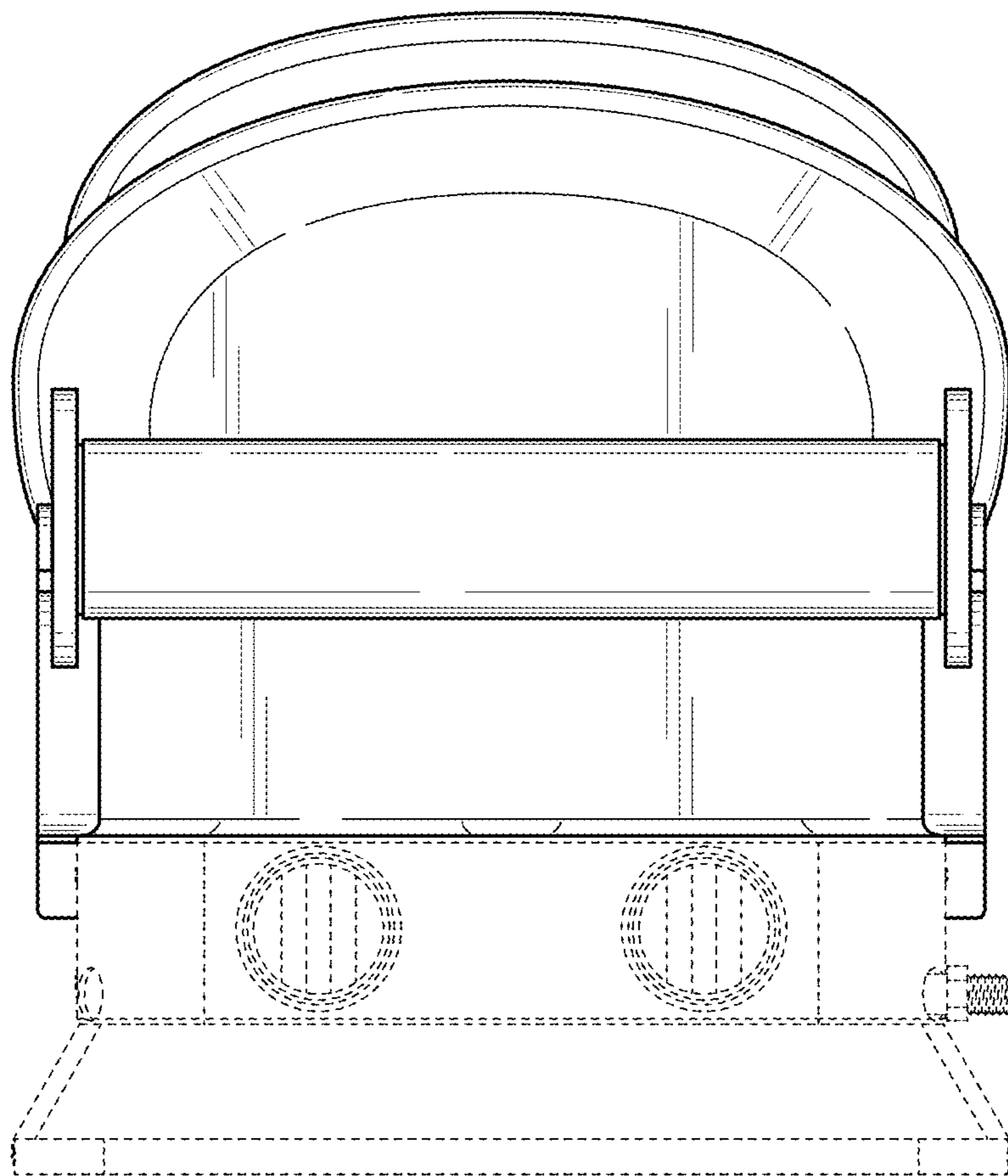


FIG. 2

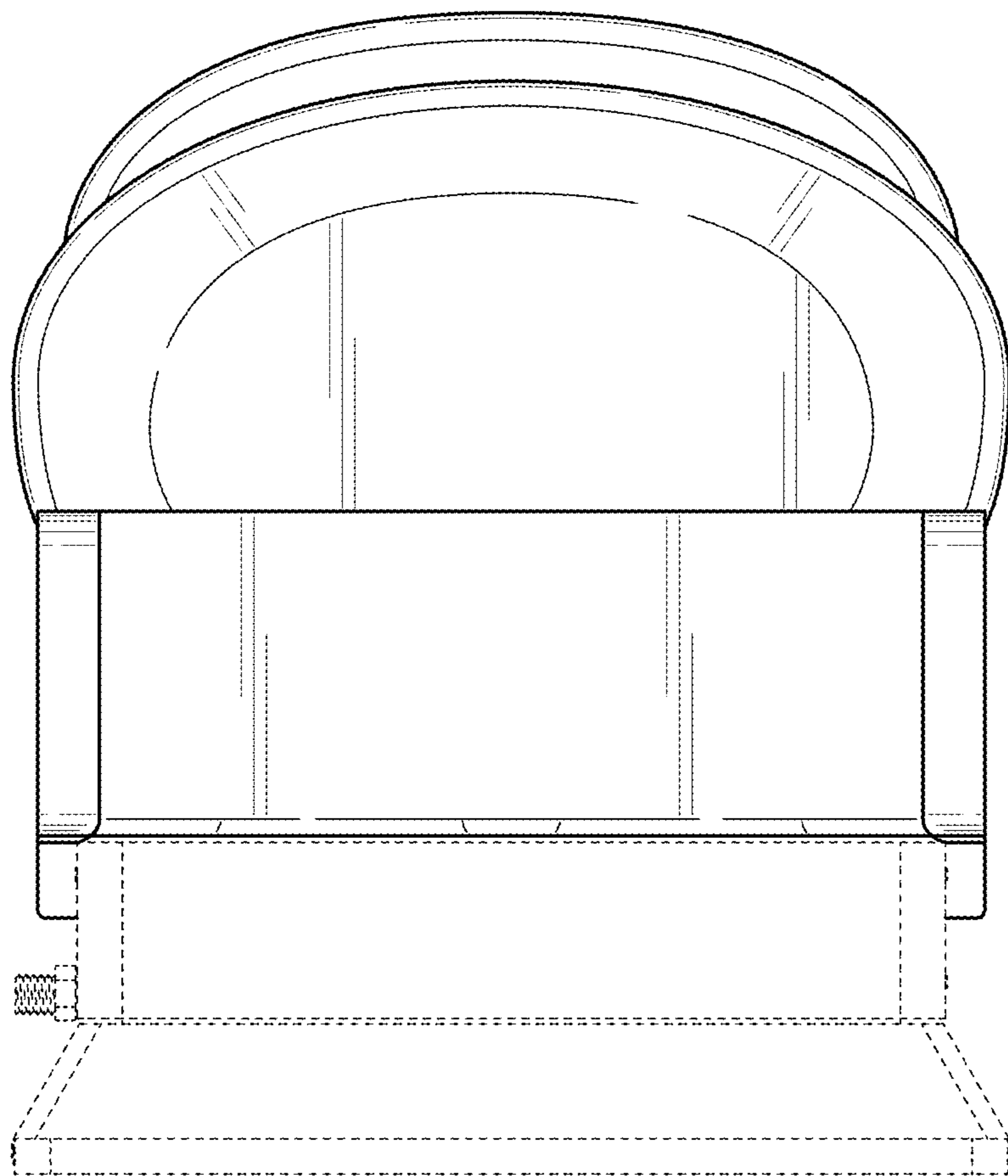


FIG. 3

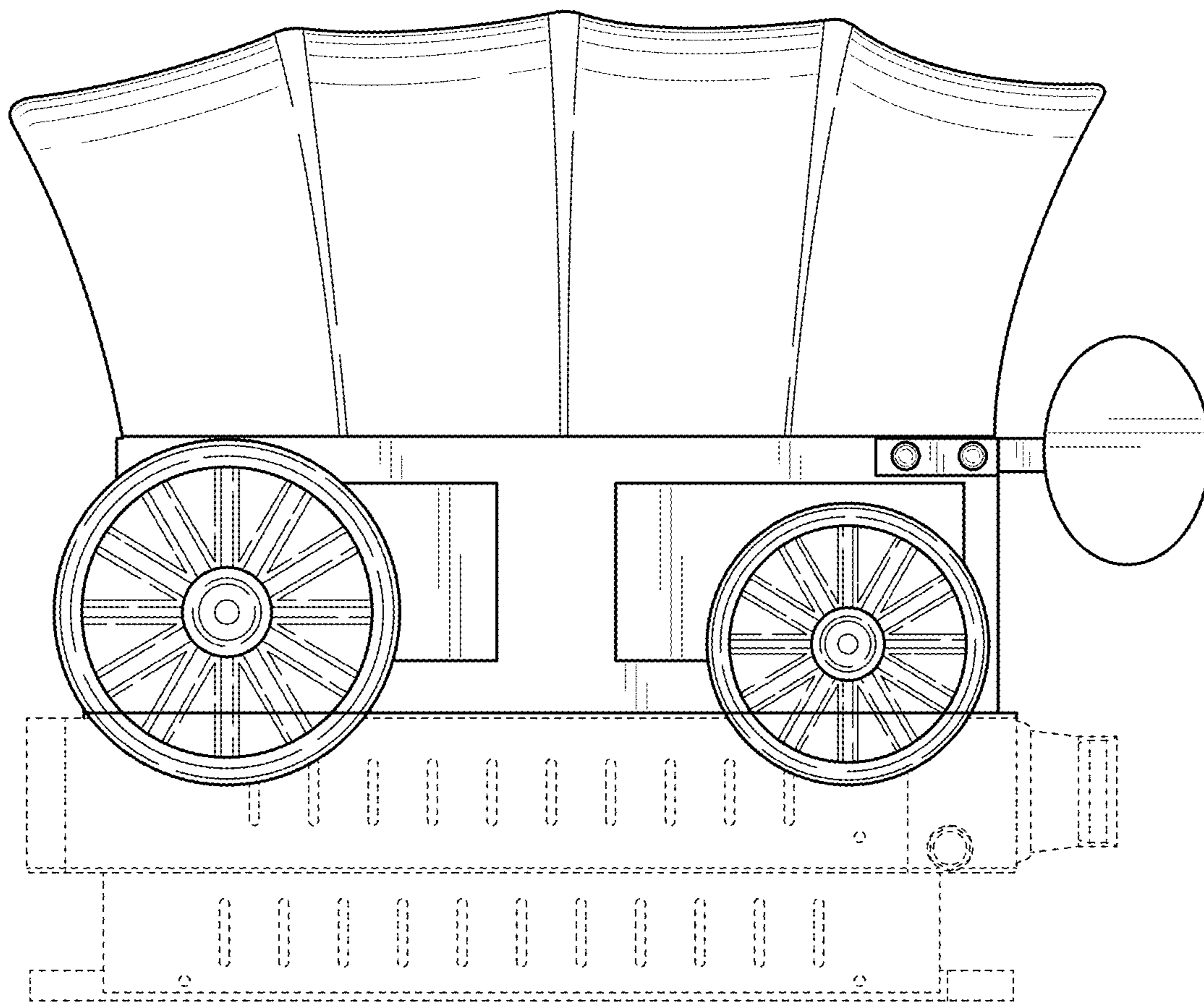


FIG. 4

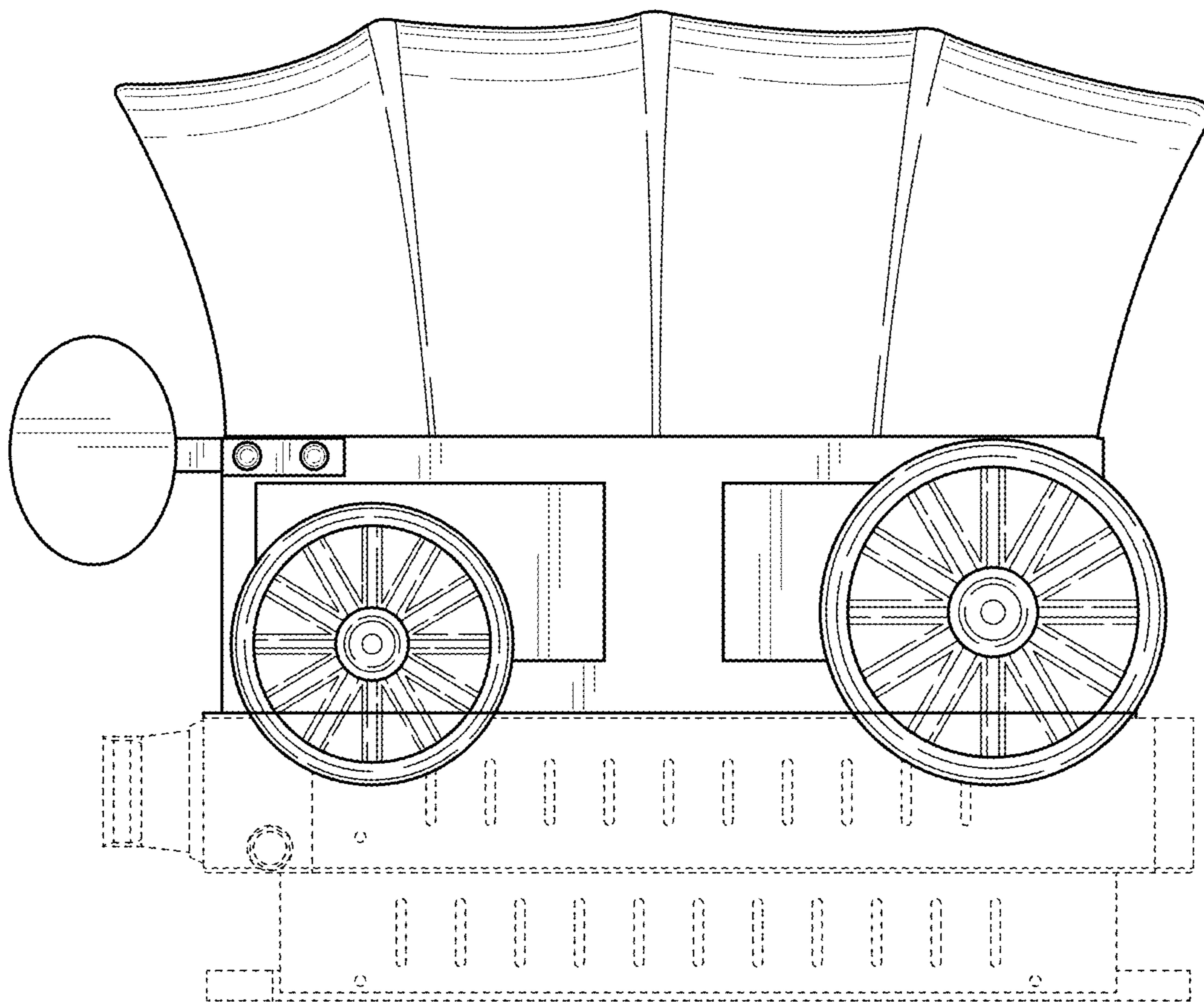


FIG. 5

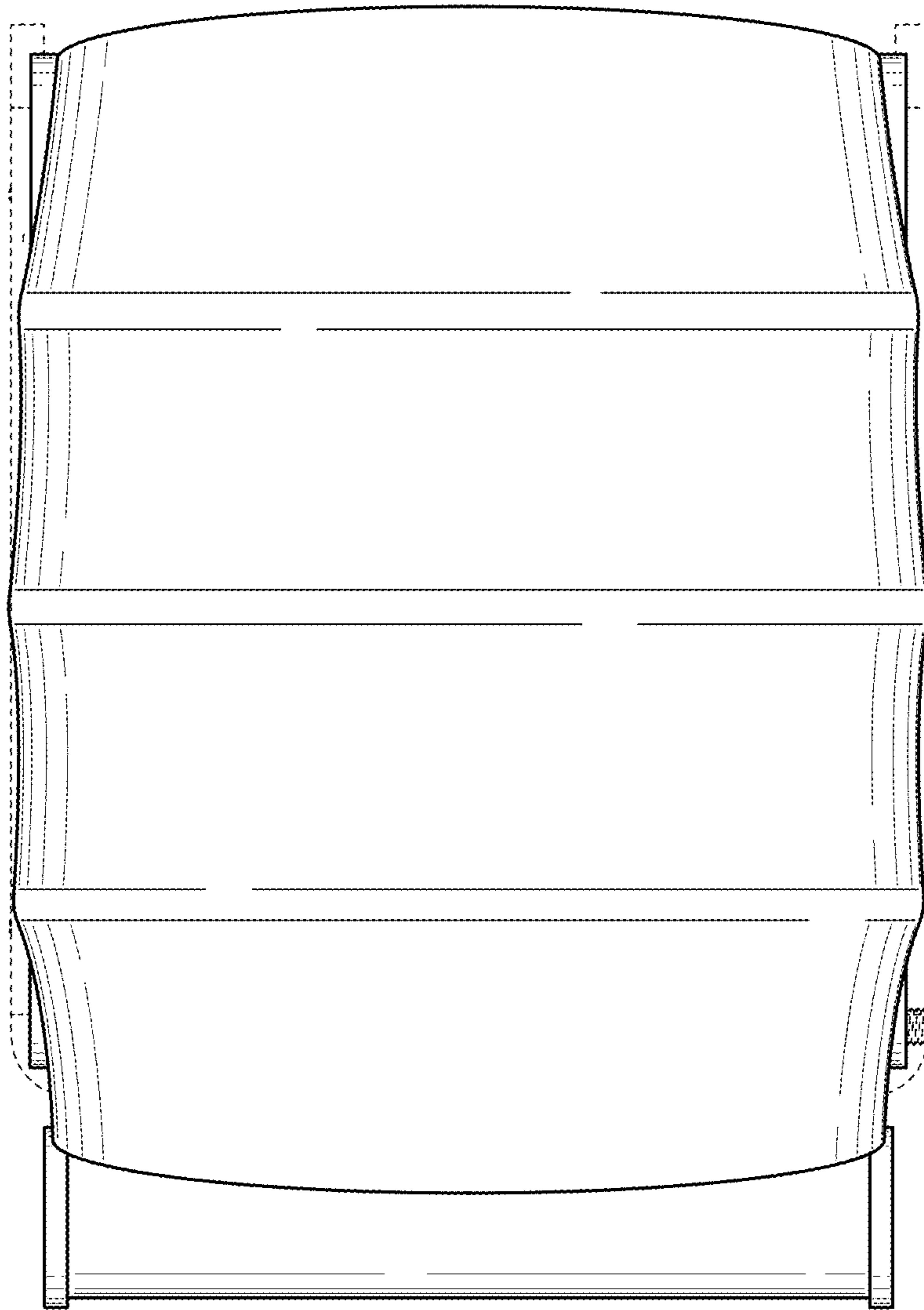


FIG. 6

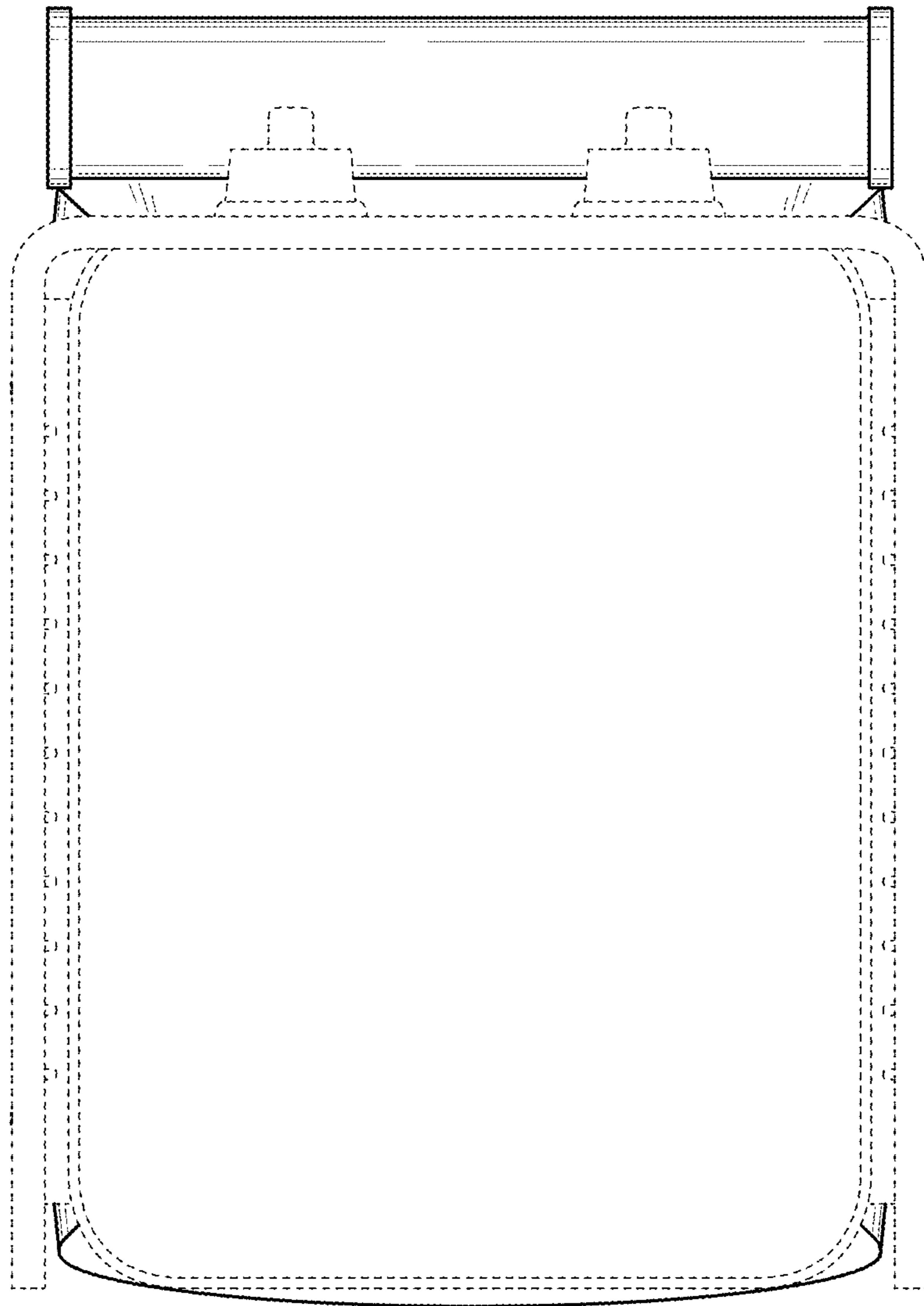


FIG. 7