



US00D882320S

(12) **United States Design Patent**  
**Wang**

(10) **Patent No.:** **US D882,320 S**  
(45) **Date of Patent:** **\*\* Apr. 28, 2020**

- (54) **WATER COOLER**
- (71) Applicant: **New Beverage Ventures**, La Verne, CA (US)
- (72) Inventor: **Chun-Yen J Wang**, El Paso, TX (US)
- (73) Assignee: **New Beverage Ventures**, La Verne, CA (US)
- (\*\*) Term: **15 Years**
- (21) Appl. No.: **29/663,251**
- (22) Filed: **Sep. 13, 2018**
- (51) **LOC (12) Cl.** ..... **07-01**
- (52) **U.S. Cl.**  
USPC ..... **D7/306; D7/313**
- (58) **Field of Classification Search**  
USPC ..... D7/305-311, 313, 602, 397; D15/82;  
222/129.1, 146.6; 99/295; D20/1, 4;  
D14/307  
CPC ..... D67D 1/0004; B67D 1/36; B67D  
2210/0065; B67D 1/0864; B67D 1/0009;  
B67D 1/0807; A47J 31/4403; A47J 31/46;  
A23C 9/122  
See application file for complete search history.

D668,904 S *	10/2012	Walton	.....	D7/306
D677,102 S *	3/2013	Walton	.....	D7/306
D697,748 S *	1/2014	Wang	.....	D7/306
D701,411 S *	3/2014	Stacks	.....	D7/306
D793,790 S *	8/2017	Wang	.....	D7/306
D804,913 S *	12/2017	Wang	.....	D7/602
2005/0072813 A1 *	4/2005	Walton	.....	B67D 1/0004 222/464.3

\* cited by examiner

*Primary Examiner* — Marianne N Pandozzi

(74) *Attorney, Agent, or Firm* — Michael P. Mazza, LLC

(57) **CLAIM**

The ornamental design for a water cooler, as shown and described.

**DESCRIPTION**

FIG. 1 is a top, front and side perspective view of one preferred embodiment of the water cooler of the present invention;  
 FIG. 2 is a front perspective view of the water cooler shown in FIG. 1;  
 FIG. 3 is a left side view of the water cooler shown in FIG. 1;  
 FIG. 4 is a right side view of the water cooler shown in FIG. 1;  
 FIG. 5 is a top perspective view of the water cooler shown in FIG. 1;  
 FIG. 6 is a bottom perspective view of the water cooler shown in FIG. 1; and,  
 FIG. 7 is a rear, perspective view of the water cooler shown in FIG. 1.

The broken lines in the drawing depict portions of the water cooler that form no part of the claimed design.

**1 Claim, 6 Drawing Sheets**

(56) **References Cited**

U.S. PATENT DOCUMENTS

D514,864 S *	2/2006	Birdsell	.....	D7/306
D582,194 S *	12/2008	Wang	.....	D7/306
D652,242 S *	1/2012	Wang	.....	D7/306
D652,668 S *	1/2012	Wang	.....	D7/306
D668,903 S *	10/2012	Walton	.....	D7/306

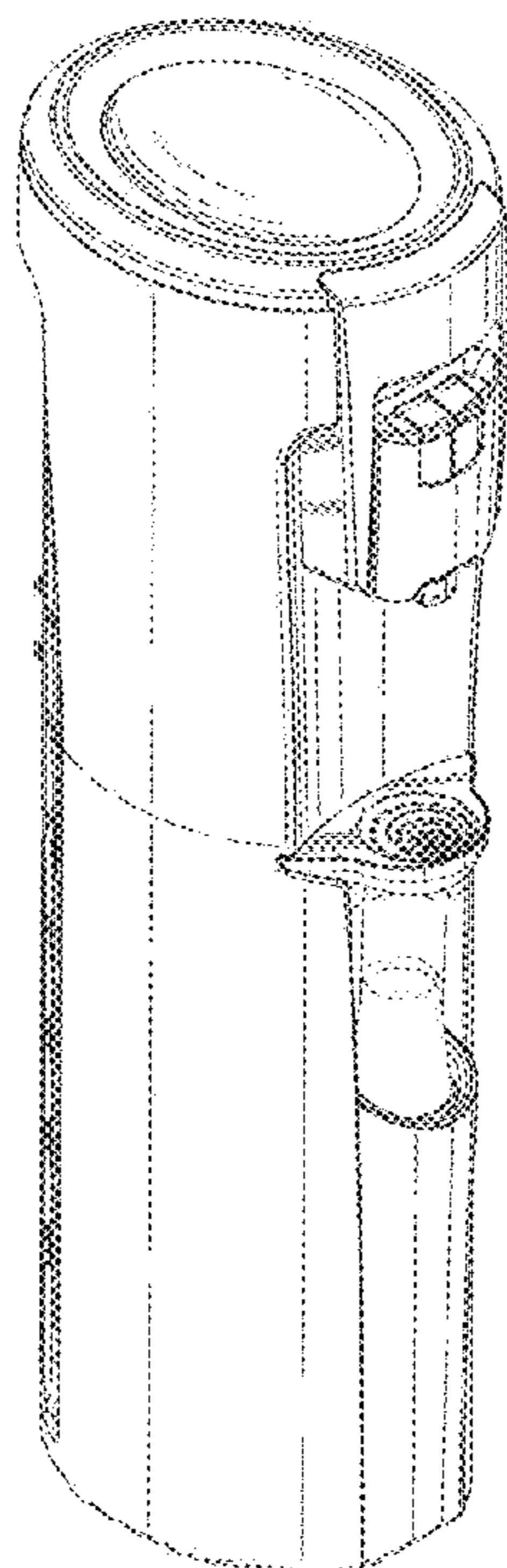


Fig. 1

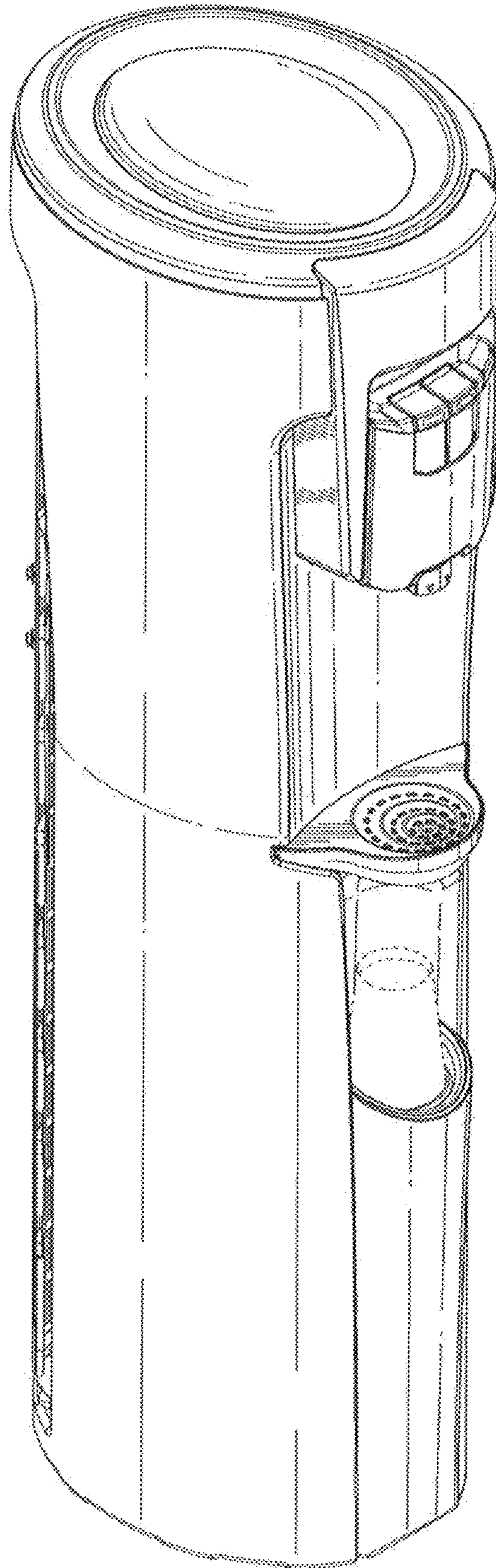


Fig. 2

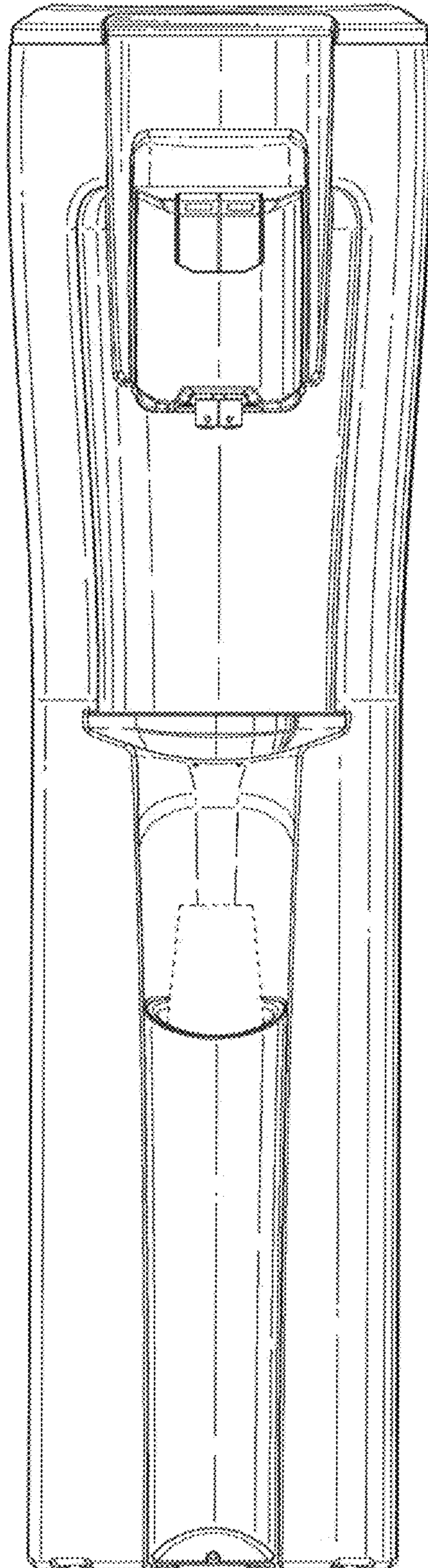




Fig. 3

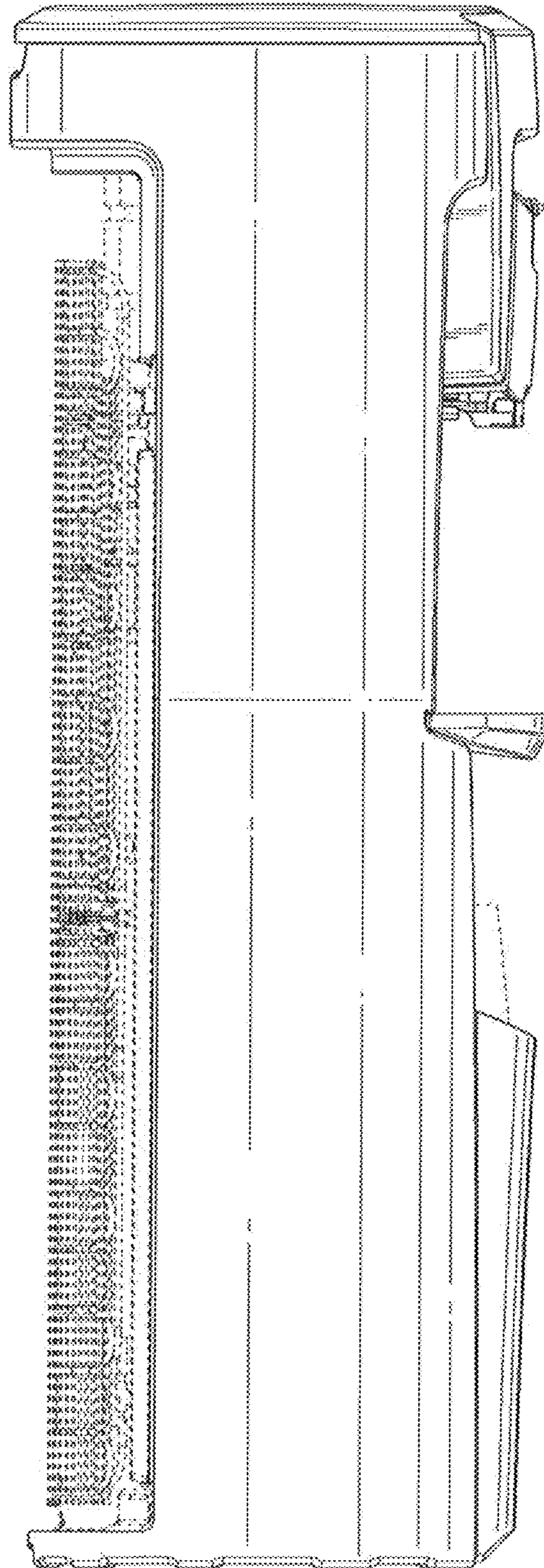


Fig. 4

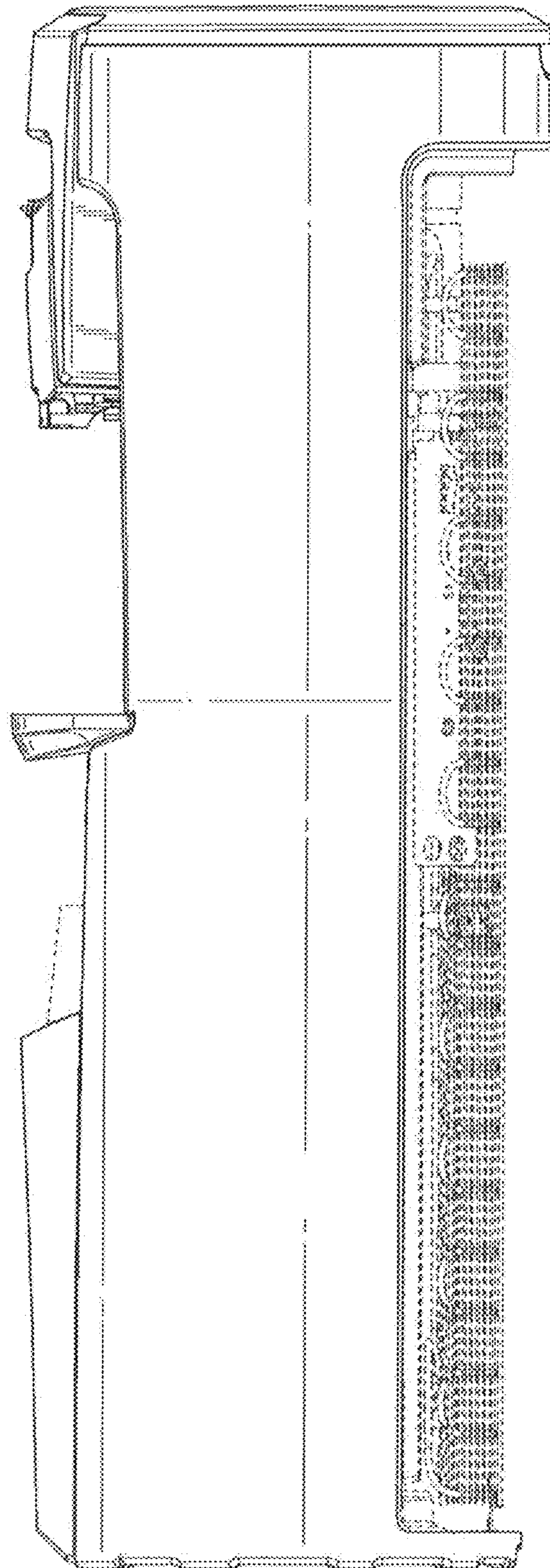


Fig. 5

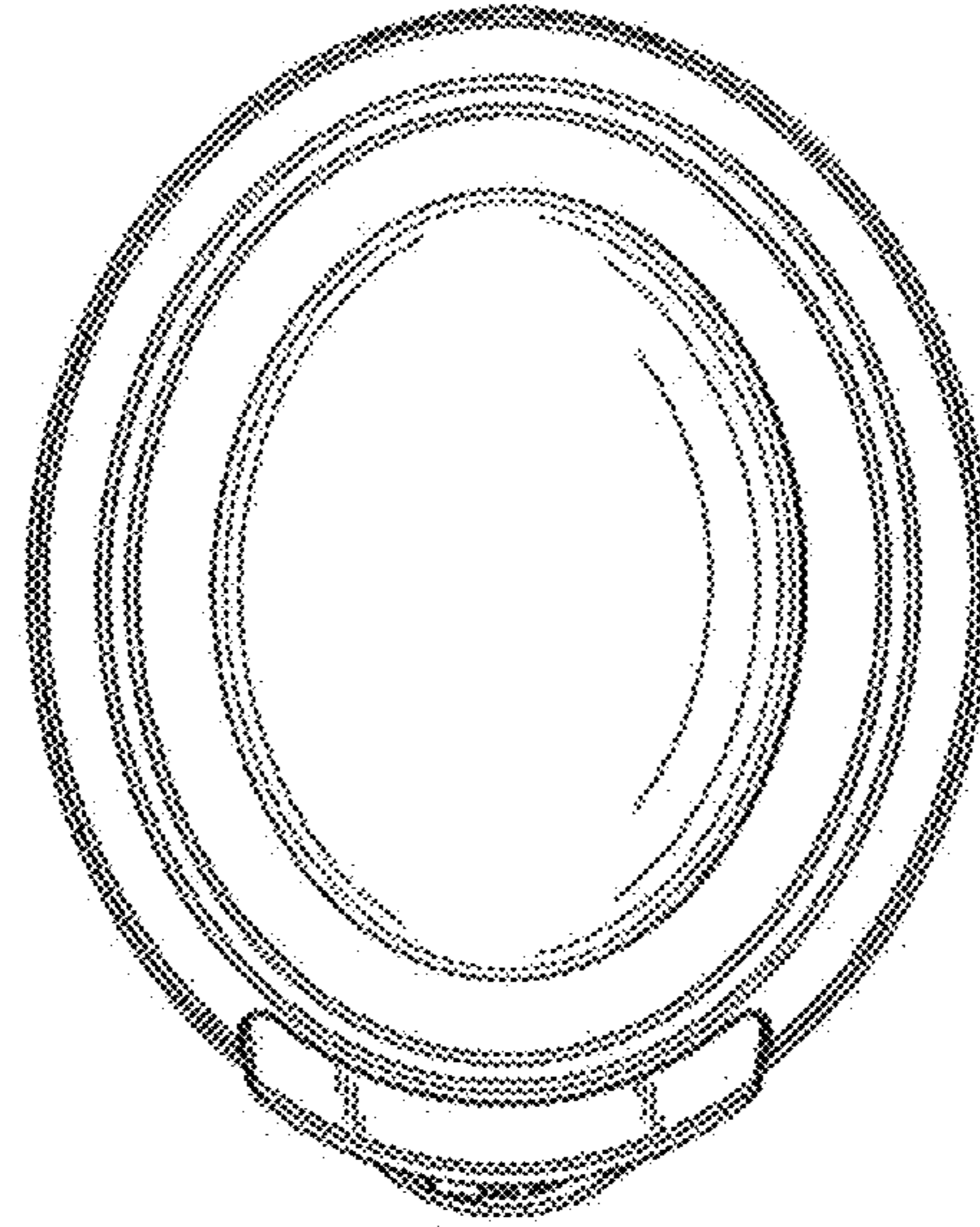


Fig. 6

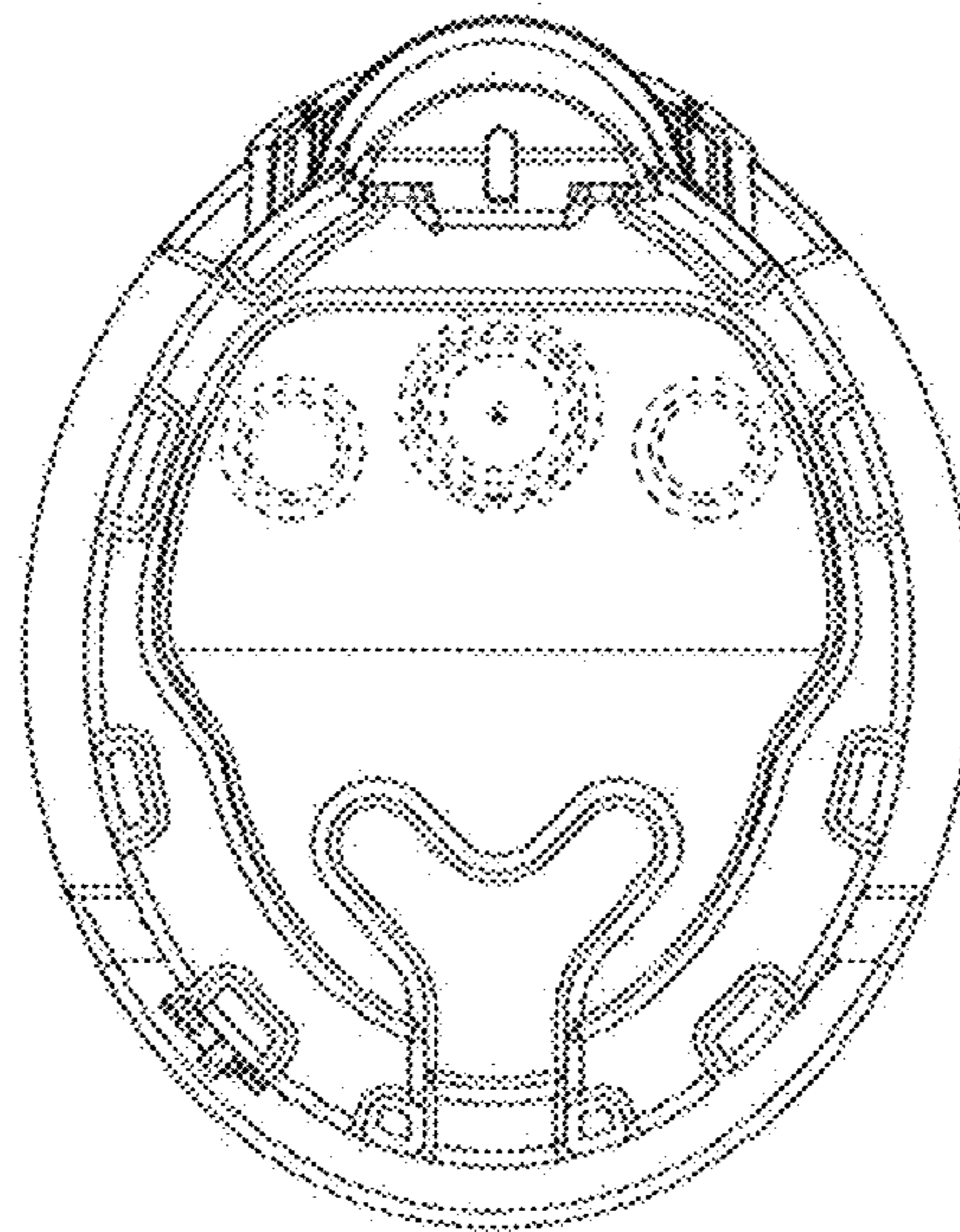




Fig. 7

