

US00D882319S

(12) **United States Design Patent** (10) **Patent No.:** **US D882,319 S**
Walton et al. (45) **Date of Patent:** **** Apr. 28, 2020**

(54) **BEVERAGE DISPENSER**

OTHER PUBLICATIONS

(71) Applicant: **Cardomon International Limited**,
Tsimshatsui, Kowlon (HK)

(72) Inventors: **Philip A. Walton**, Bishop Auckland
(GB); **Dennis Rivard**, Alberta (CA);
Celyn Mitchell, Durham (GB);
Andrew Smith, Durham (GB)

Storm brochure, 4 pages and is prior art to the subject patent application.

Primary Examiner — Marianne N Pandozzi
 (74) *Attorney, Agent, or Firm* — Merek, Blackmon & Voorhees, LLC

(**) Term: **15 Years**

(57) **CLAIM**

(21) Appl. No.: **29/638,264**

The ornamental design for a beverage dispenser, as shown and described.

(22) Filed: **Feb. 26, 2018**

(51) **LOC (12) Cl.** **07-01**

(52) **U.S. Cl.**
USPC **D7/306; D7/313**

DESCRIPTION

(58) **Field of Classification Search**
 USPC D7/305–311, 313, 397; D15/82;
222/129.1, 146.6; 99/295; D20/1, 4;
D14/307
 CPC A47J 31/44; A47J 31/4403; A47J 31/46;
B67D 1/36; B67D 2210/0065; B67D
1/0864; B67D 1/0009; B67D 1/0807;
A23C 9/122

FIG. 1 is a front, right side perspective view of the beverage dispenser;
 FIG. 2 is a front elevational view of the beverage dispenser shown in FIG. 1;
 FIG. 3 is a left side elevational view of the beverage dispenser shown in FIG. 1;
 FIG. 4 is a right side elevational view of the beverage dispenser shown in FIG. 1;
 FIG. 5 is a rear elevational view of the beverage dispenser shown in FIG. 1;
 FIG. 6 is a top plan view of the beverage dispenser shown in FIG. 1; and,
 FIG. 7 is a bottom plan view of the beverage dispenser shown in FIG. 1.

See application file for complete search history.

Applicant expressly reserves the right to vary the scope of the claimed invention by amending the subject patent application to place in hidden lines any feature or combination of features currently appearing in solid lines in any of FIGS. 1 to 14. Applicant further expressly reserves the right to vary the scope of the claimed invention by amending the subject patent application to place in solid lines any feature or combination of features currently appearing in hidden lines in any of FIGS. 8 to 14.

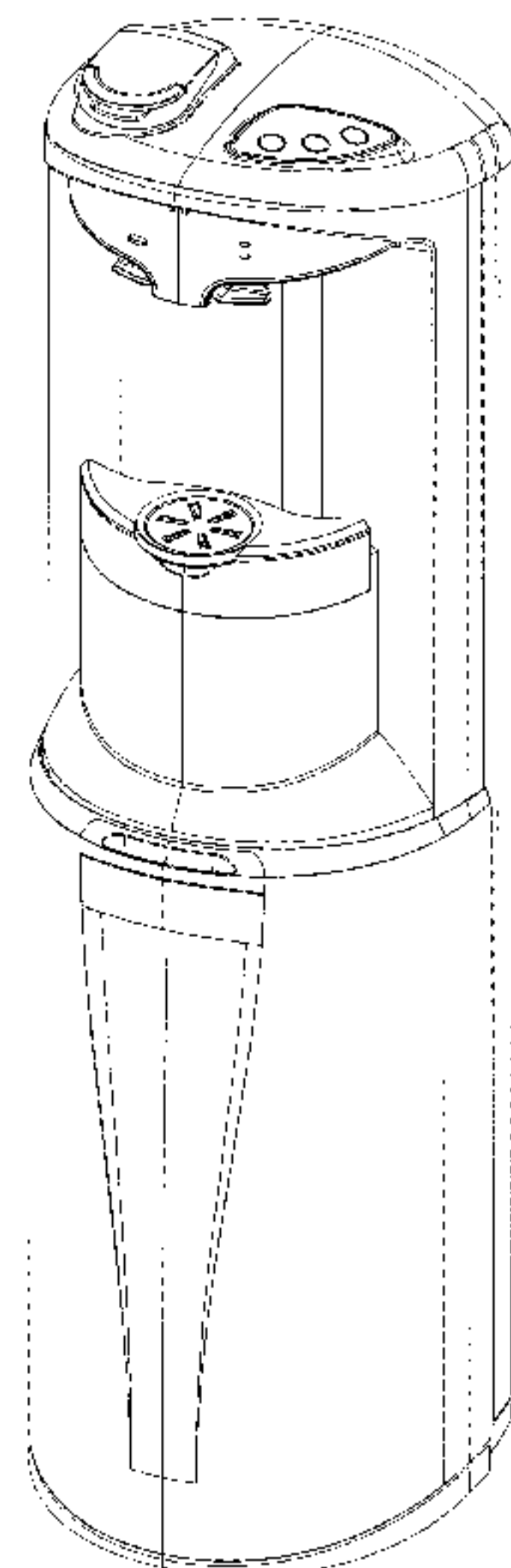
(56) **References Cited**

U.S. PATENT DOCUMENTS

D513,572 S	1/2006	Schaffeld et al.	
D514,864 S *	2/2006	Birdsell	D7/306
7,165,488 B2	1/2007	Bragg et al.	
D544,299 S	6/2007	Schaffeld et al.	
7,347,138 B2	3/2008	Bragg et al.	
7,377,162 B2	5/2008	Lazaris	
D582,194 S *	12/2008	Wang	D7/306
D652,242 S *	1/2012	Wang	D7/306
D652,668 S *	1/2012	Wang	D7/306
D668,904 S *	10/2012	Walton	D7/306
D688,079 S *	8/2013	Wang	D7/305
D697,748 S *	1/2014	Wang	D7/306
D756,157 S	5/2016	Murphy et al.	

(Continued)

1 Claim, 7 Drawing Sheets



(56)

References Cited

U.S. PATENT DOCUMENTS

D756,696 S 5/2016 Murphy et al.
D793,790 S * 8/2017 Wang D7/306
D804,913 S * 12/2017 Wang D7/602

* cited by examiner

FIG. 1

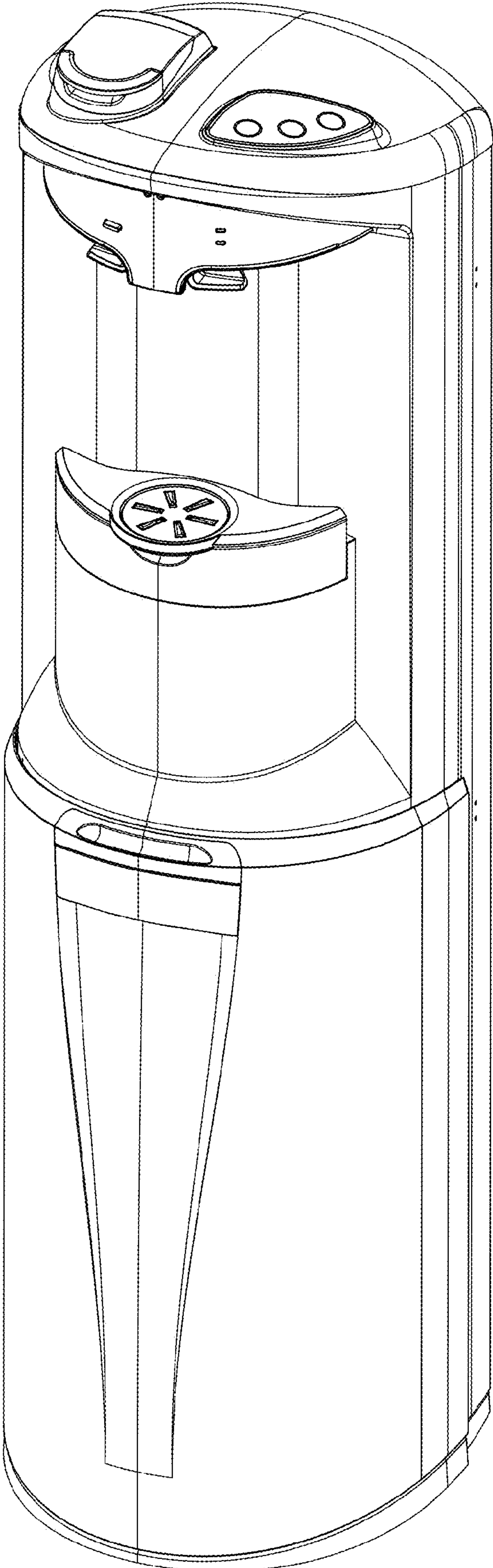


FIG. 2

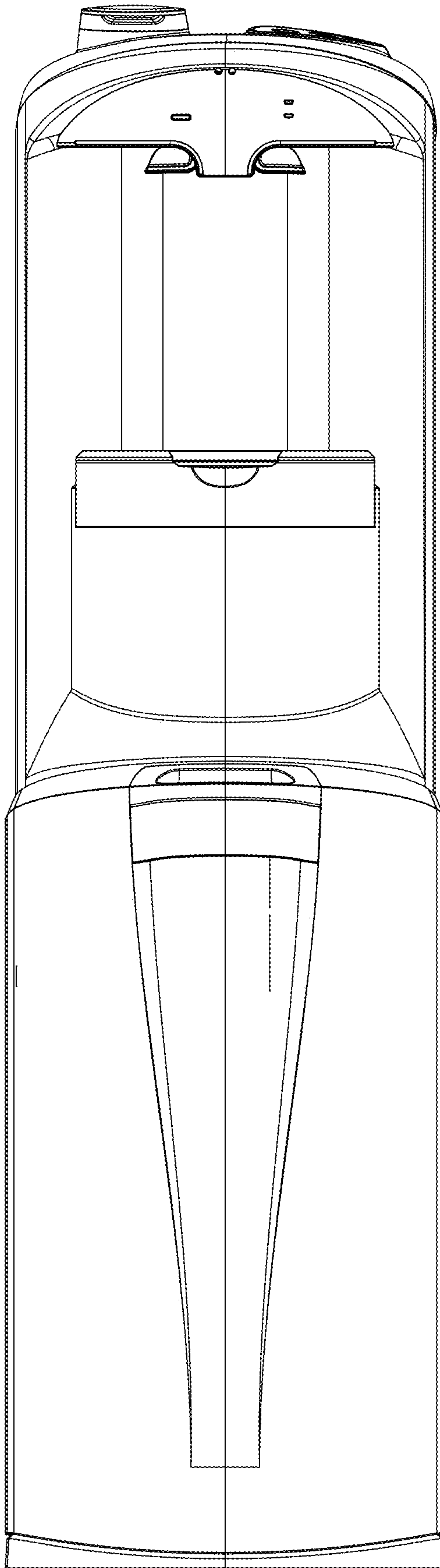


FIG. 3

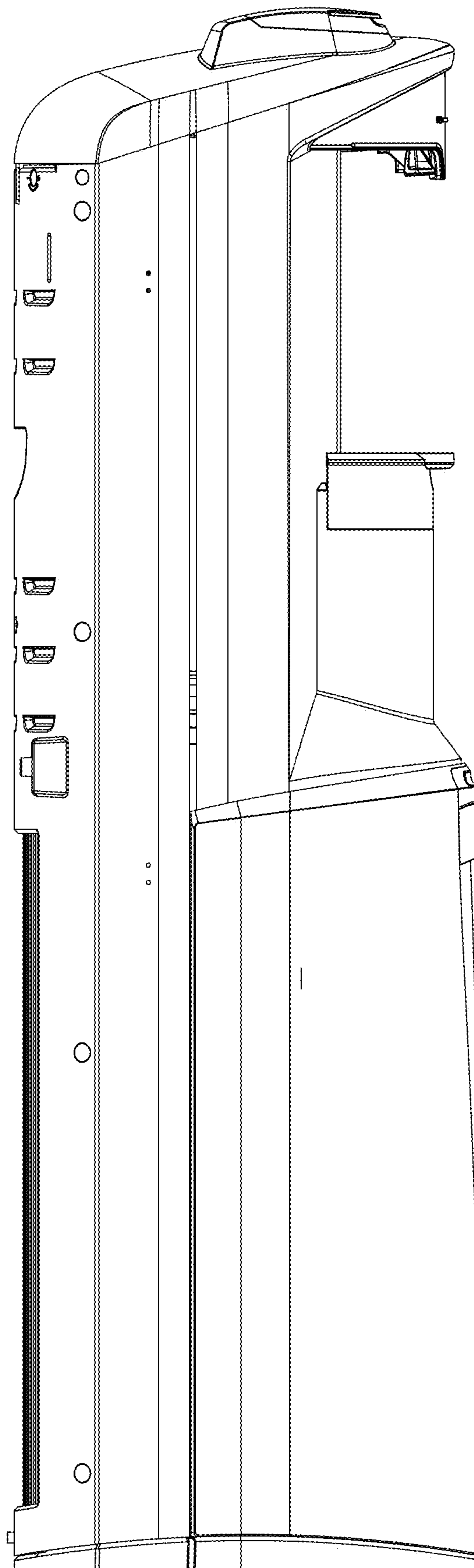


FIG. 4

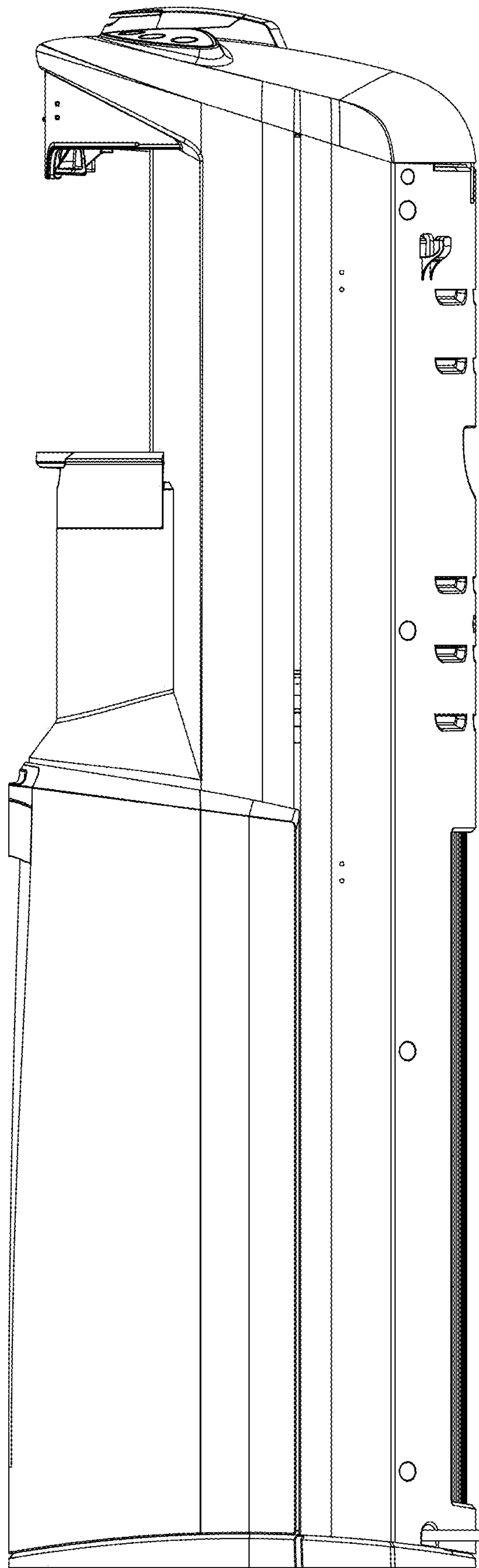
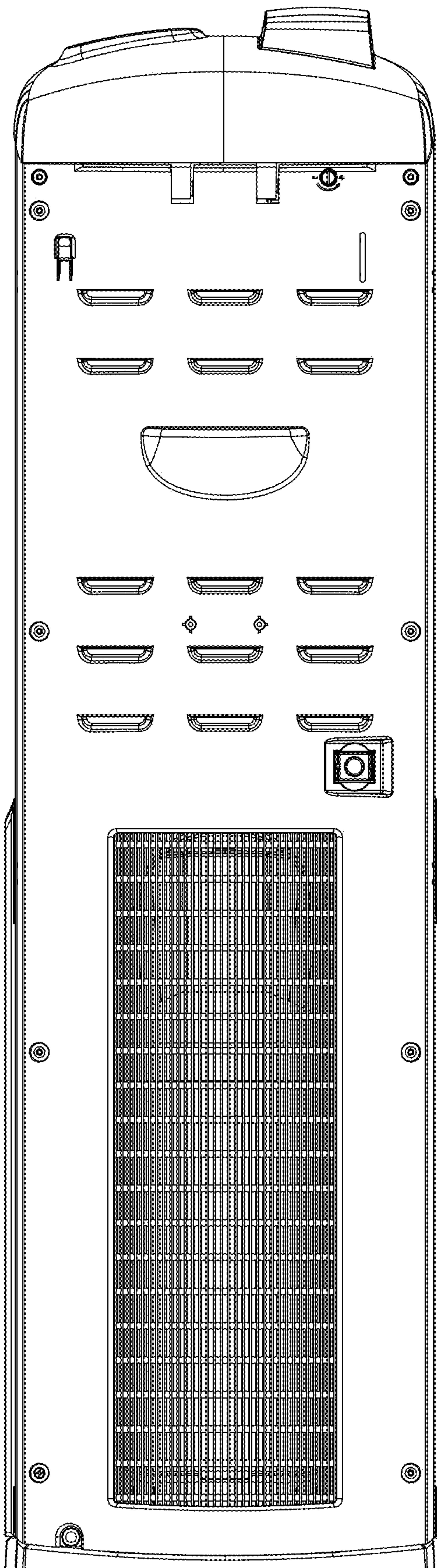


FIG. 5



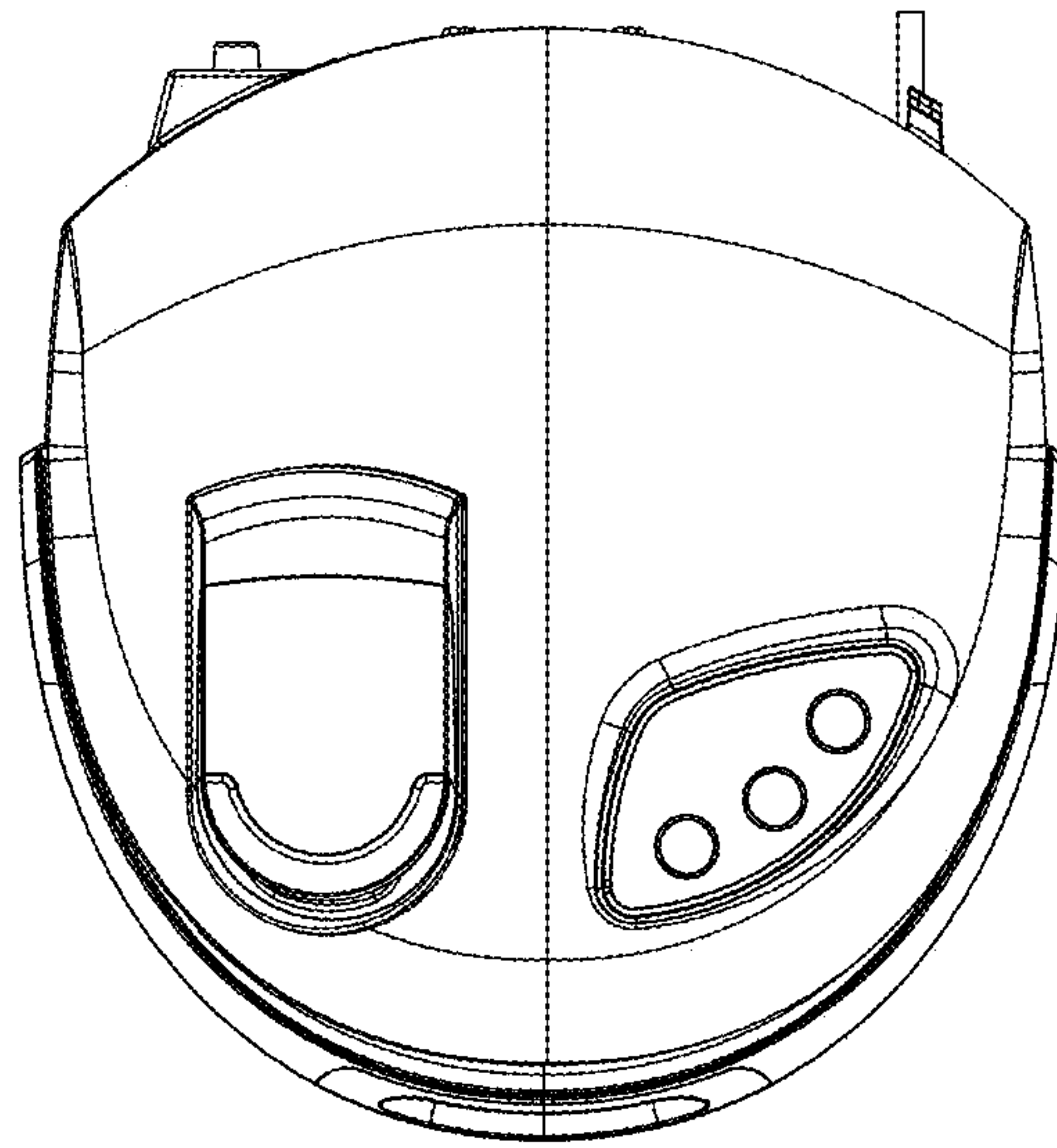


FIG. 6

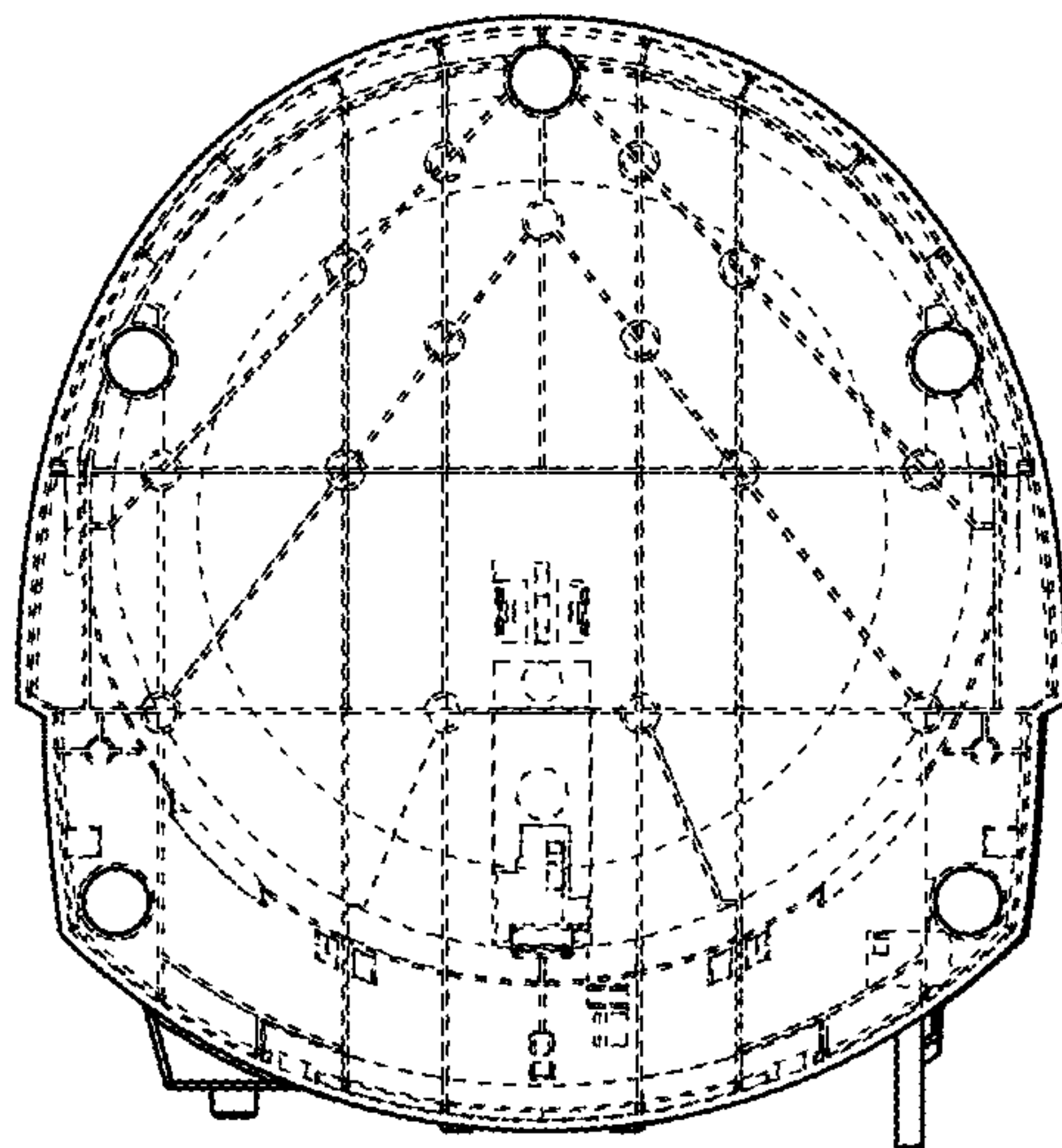


FIG. 7