



US00D882317S

(12) **United States Design Patent** (10) **Patent No.:** **US D882,317 S**
Chadwick et al. (45) **Date of Patent:** **** Apr. 28, 2020**

- (54) **CHAIR**
- (71) Applicant: **Herman Miller, Inc.**, Zeeland, MI (US)
- (72) Inventors: **Don Chadwick**, Los Angeles, CA (US);
Jeffrey Koffman, Santa Monica, CA (US)
- (73) Assignee: **HERMAN MILLER, INC.**, Zeeland, MI (US)
- (**) Term: **15 Years**
- (21) Appl. No.: **29/679,725**
- (22) Filed: **Feb. 8, 2019**

D462,188 S * 9/2002 Su D6/366
 D471,370 S * 3/2003 Schmitz D6/366
 D474,346 S * 5/2003 Saylor D6/366
 6,575,530 B1 6/2003 Fischer et al.
 6,619,739 B2 9/2003 McMillen
 D481,879 S * 11/2003 Su D6/366
 6,644,740 B2 11/2003 Hoist et al.
 6,644,741 B2 11/2003 Hoist et al.

(Continued)

FOREIGN PATENT DOCUMENTS

CN 3359368 3/2004
 CN 3430524 3/2004

(Continued)

OTHER PUBLICATIONS

Request for Invalidation issued by the Chinese Patent Office for related Application No. 201630612246.4 dated Nov. 23, 2018 (94 pages including English translation).

Primary Examiner — Mimosa De
 (74) *Attorney, Agent, or Firm* — Michael Best & Friedrich LLP

(57) **CLAIM**

We claim the ornamental design for a chair, as shown and described.

DESCRIPTION

FIG. 1 is a perspective view of a chair.
 FIG. 2 is a front view of the chair of FIG. 1.
 FIG. 3 is a rear view of the chair of FIG. 1.
 FIG. 4 is a first side view of the chair of FIG. 1.
 FIG. 5 is a second side view of the chair of FIG. 1; and,
 FIG. 6 is a top view of the chair of FIG. 1.
 Portions of the chair shown in broken lines form no part of the claimed design. The long and short broken lines that define the bounds of the claimed design also form no part thereof.

1 Claim, 6 Drawing Sheets

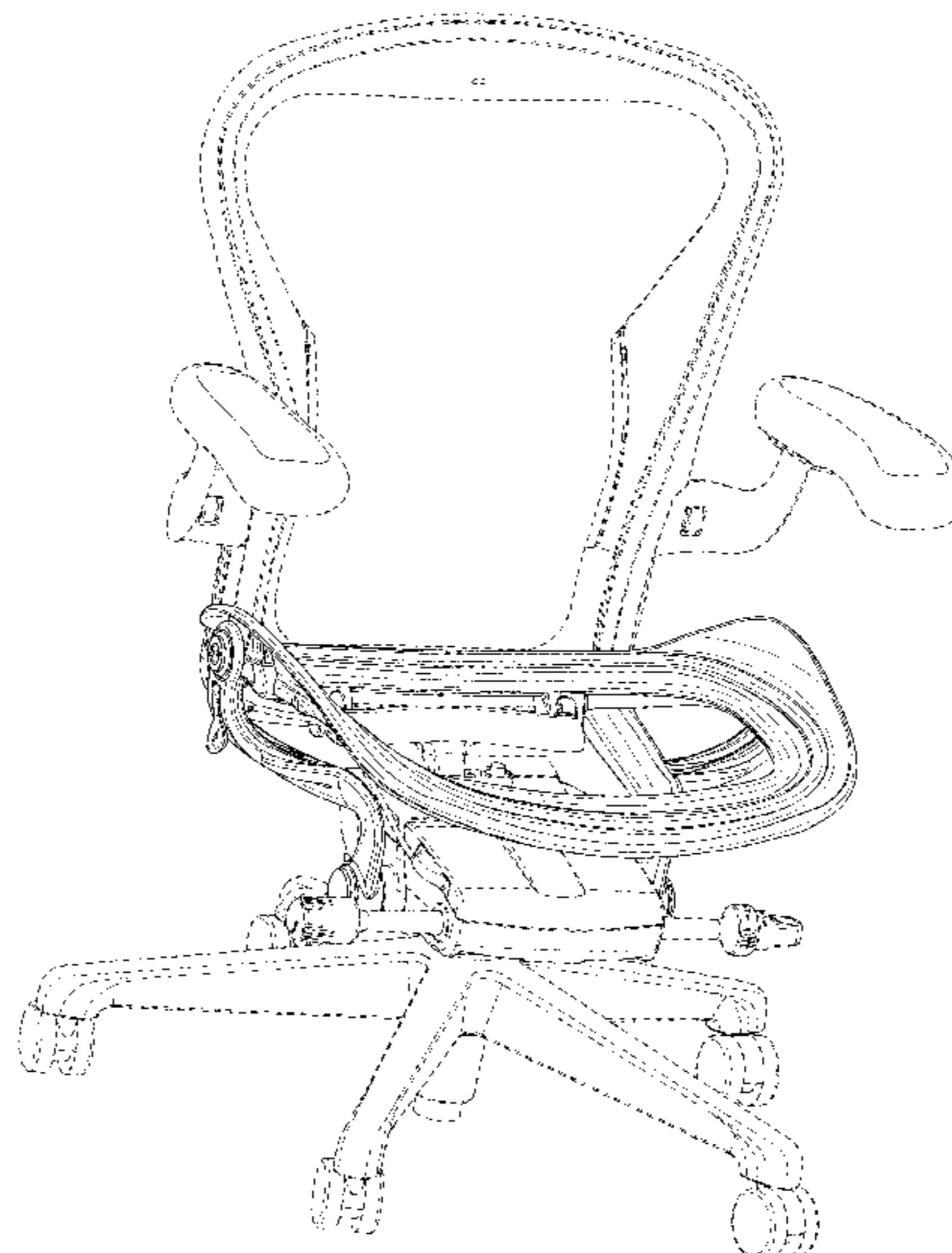
Related U.S. Application Data

- (60) Division of application No. 29/569,275, filed on Jun. 24, 2016, now Pat. No. Des. 845,692, which is a continuation-in-part of application No. 29/567,875, filed on Jun. 13, 2016, now Pat. No. Des. 845,050.
- (51) **LOC (12) Cl.** **06-01**
- (52) **U.S. Cl.**
USPC **D6/716.1**; D6/366
- (58) **Field of Classification Search**
USPC D6/334-336, 364, 365, 366, 367, 374,
D6/375, 376, 379, 380, 716, 716.1, 716.2,
D6/716.3, 716.4
CPC A47C 7/002; A47C 7/004; A47C 7/02;
A47C 7/282; A47C 7/285; A47C 7/40;
A47C 7/44; A47C 7/46
See application file for complete search history.

(56) **References Cited**

U.S. PATENT DOCUMENTS

D346,279 S * 4/1994 Stumpf D6/366
 D377,431 S 1/1997 Stumpf et al.
 D386,023 S 11/1997 Stumpf et al.
 5,863,095 A 1/1999 Rivard et al.
 D420,523 S 2/2000 Stumpf et al.



(56)

References Cited

U.S. PATENT DOCUMENTS

D487,359 S 3/2004 Giugiaro
 D489,542 S 5/2004 Giugiaro
 D497,501 S 10/2004 Saylor et al.
 6,874,852 B2 4/2005 Footitt
 D507,134 S 7/2005 Raftery et al.
 D511,914 S 11/2005 Edwards et al.
 D514,345 S * 2/2006 Igarashi D6/374
 D540,578 S 4/2007 Chen
 7,234,773 B2 6/2007 Raftery et al.
 D547,978 S 8/2007 Machael et al.
 D548,992 S 8/2007 Koepka et al.
 D557,915 S 12/2007 Ong
 7,303,232 B1 12/2007 Chen
 D558,994 S 1/2008 Machael et al.
 7,344,194 B2 3/2008 Maier et al.
 7,347,495 B2 3/2008 Beyer et al.
 7,357,453 B2 4/2008 Wu
 D580,199 S 11/2008 Su
 D597,349 S 8/2009 Wilkinson et al.
 7,594,700 B2 * 9/2009 Stumpf A47C 7/282
 297/452.56
 D607,653 S 1/2010 Wilkinson et al.
 7,837,265 B2 11/2010 Machael et al.
 7,878,591 B2 2/2011 Walker et al.
 D641,561 S * 7/2011 Tsai D6/366
 D654,280 S 2/2012 Fujita
 D657,166 S 4/2012 Behar et al.
 D658,904 S * 5/2012 Chen D6/366
 8,308,240 B1 11/2012 Chou et al.

D673,400 S 1/2013 Chen
 8,449,037 B2 5/2013 Behar et al.
 D683,552 S 6/2013 Wu
 D687,660 S 8/2013 Hsuan-Chin
 8,573,697 B1 11/2013 Su
 D703,966 S 5/2014 Wu
 D709,312 S 7/2014 Giugiaro
 D714,042 S 9/2014 Petrie
 D724,878 S 3/2015 Tsai
 D766,605 S * 9/2016 Li D6/366
 D774,345 S 12/2016 Tsai
 D777,494 S 1/2017 Prestwich
 D779,251 S 2/2017 Beyer et al.
 D784,749 S 4/2017 Welsh et al.
 D799,877 S 10/2017 Mulder et al.
 D804,881 S 12/2017 Guelfo
 D805,336 S * 12/2017 Guelfo D6/716.1
 2005/0104428 A1 5/2005 Walker et al.

FOREIGN PATENT DOCUMENTS

CN 301390258 S 11/2010
 CN 301543076 S 5/2011
 CN 303502699 S 12/2015
 TW D129285 6/2009
 TW D134501 S1 4/2010
 TW D140909 S1 6/2011
 TW D150755 S1 12/2012
 TW D151081 S1 1/2013
 TW D164647 S 12/2014

* cited by examiner

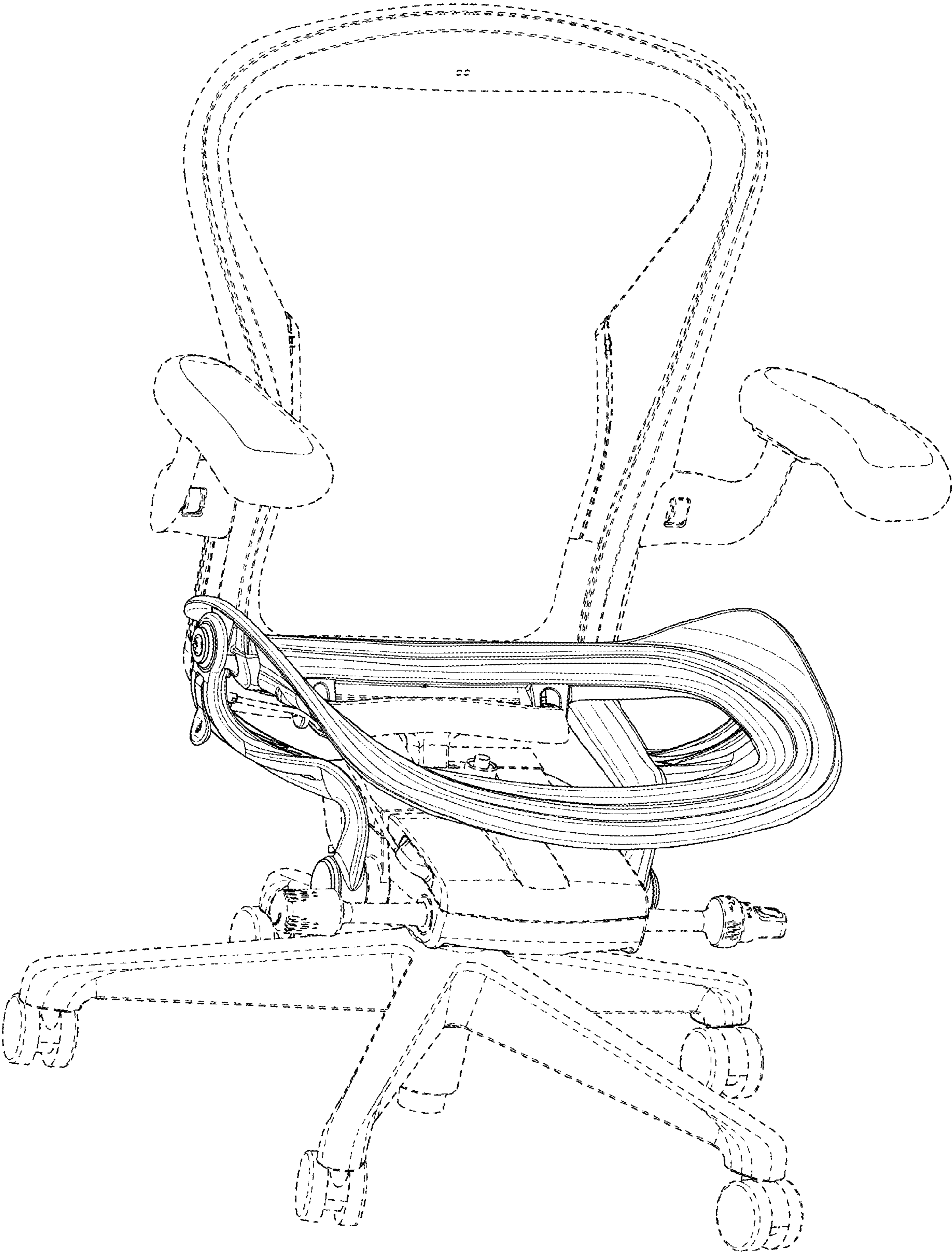


FIG. 1

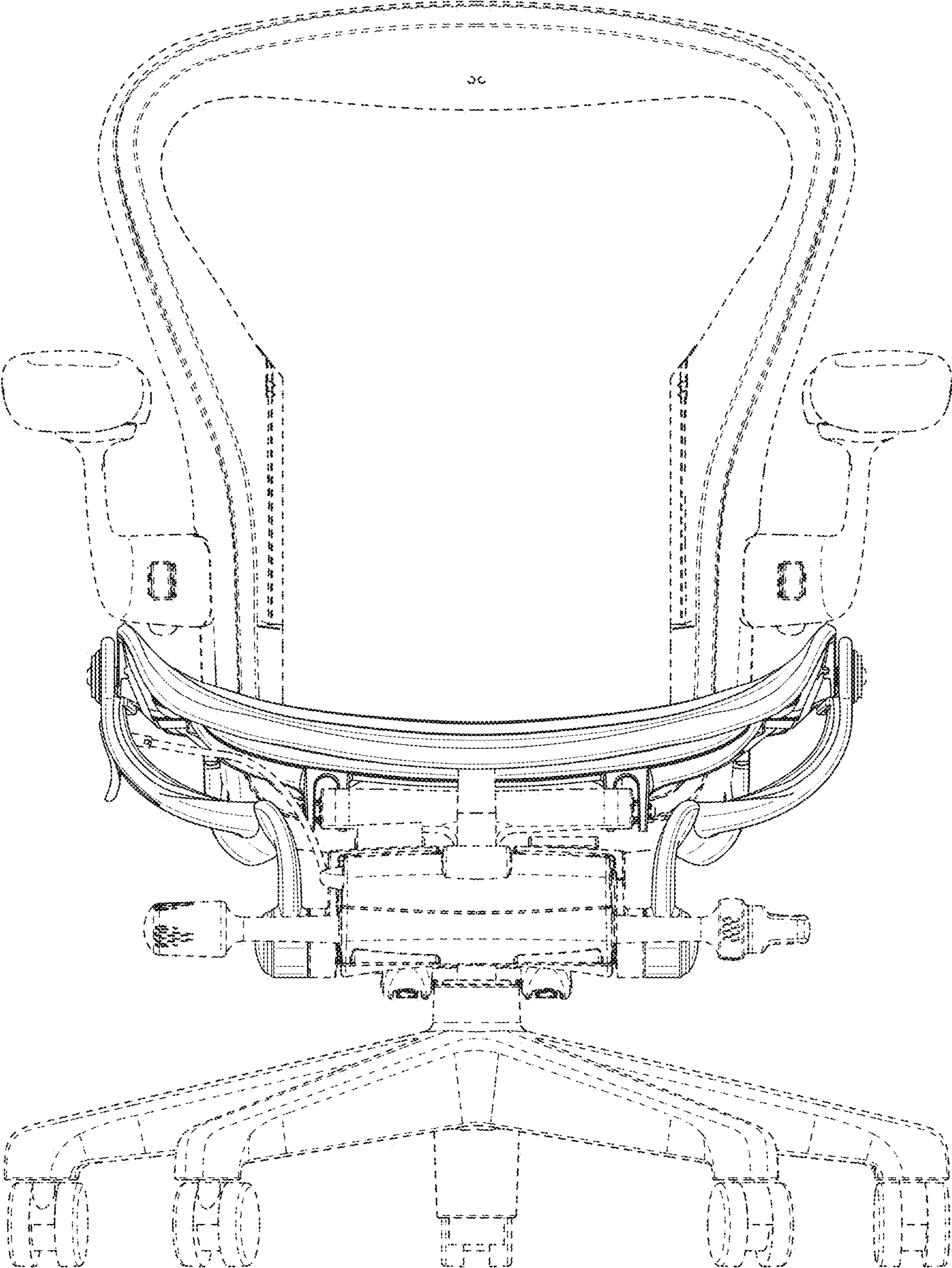


FIG. 2

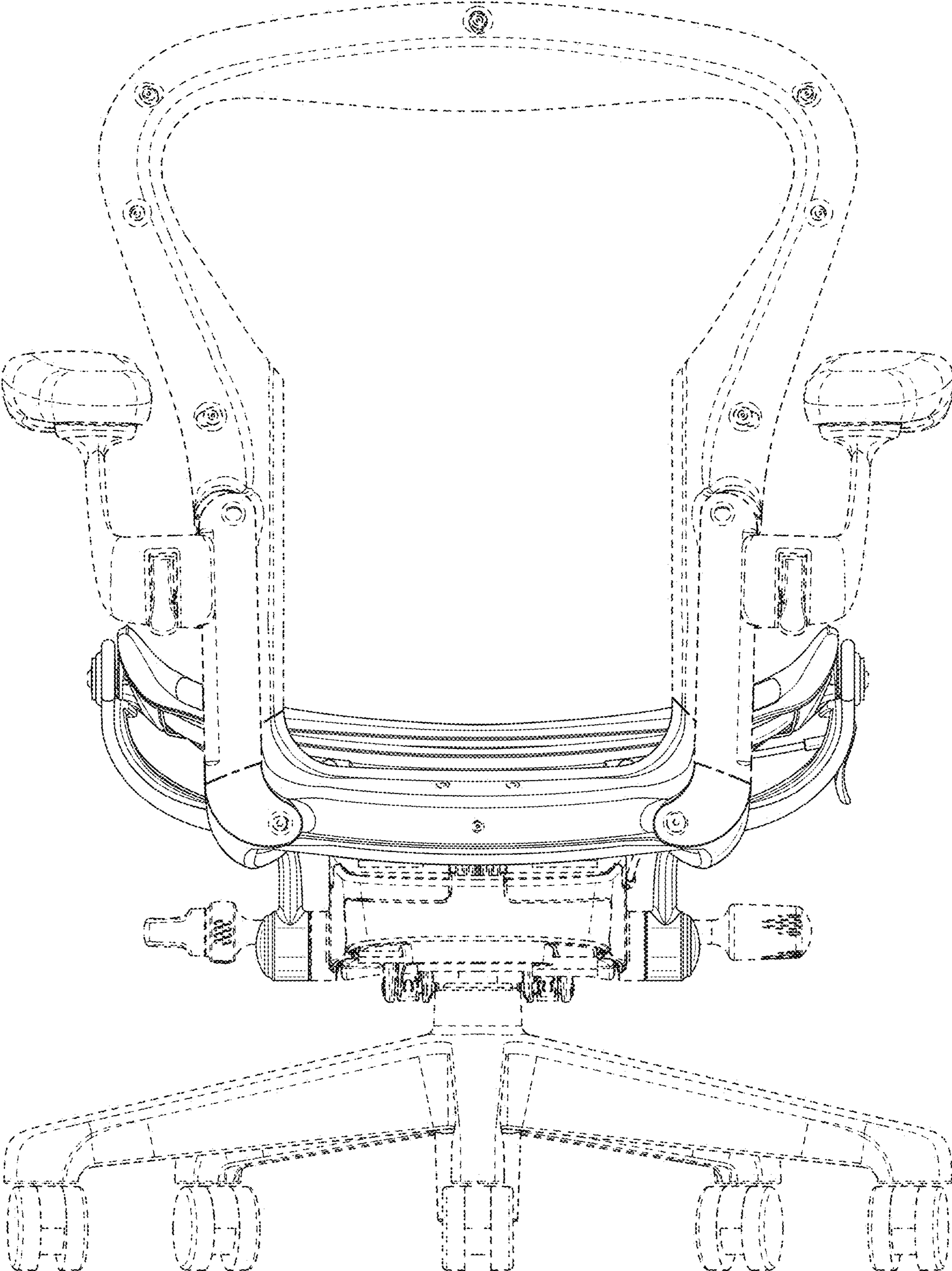


FIG. 3

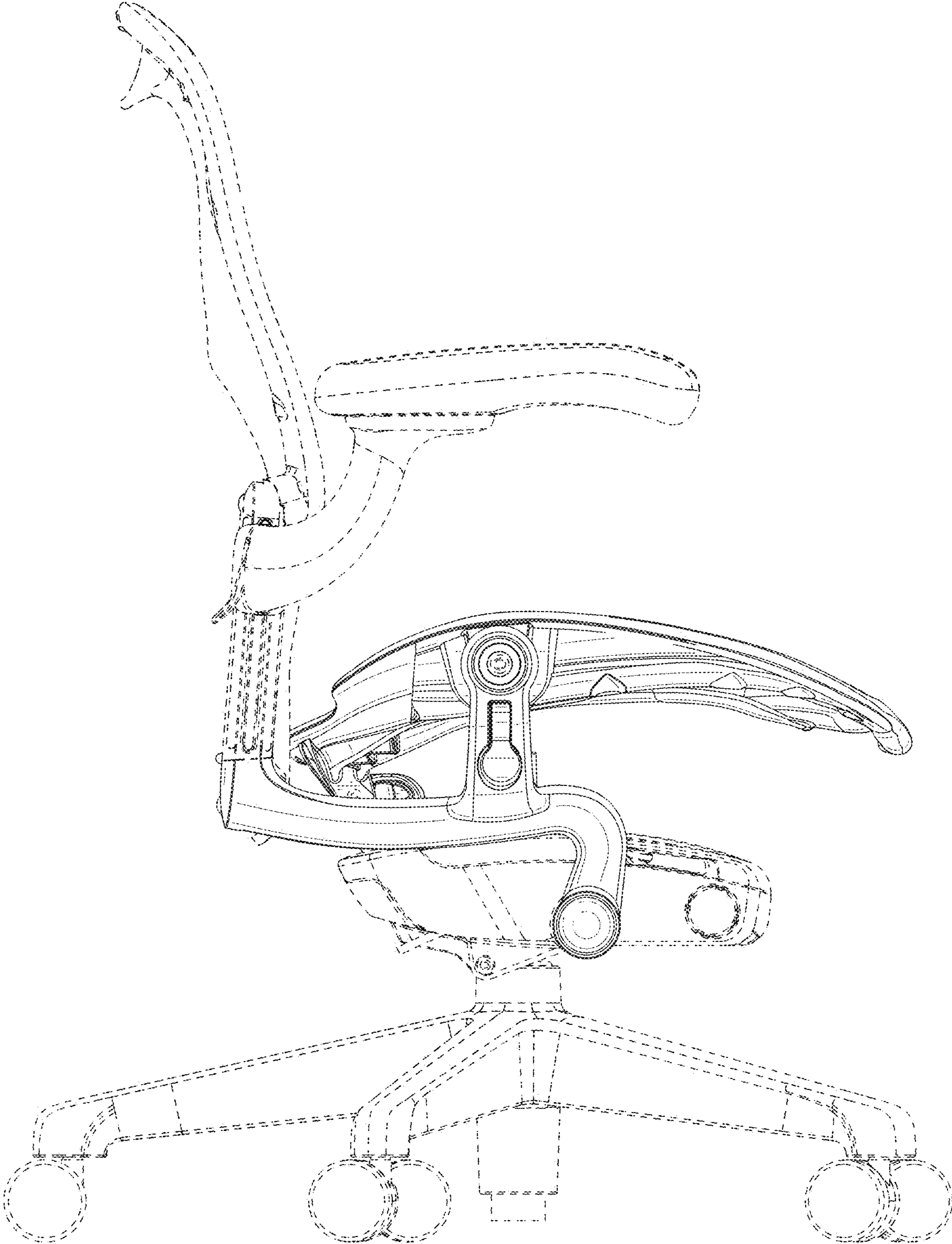


FIG. 4

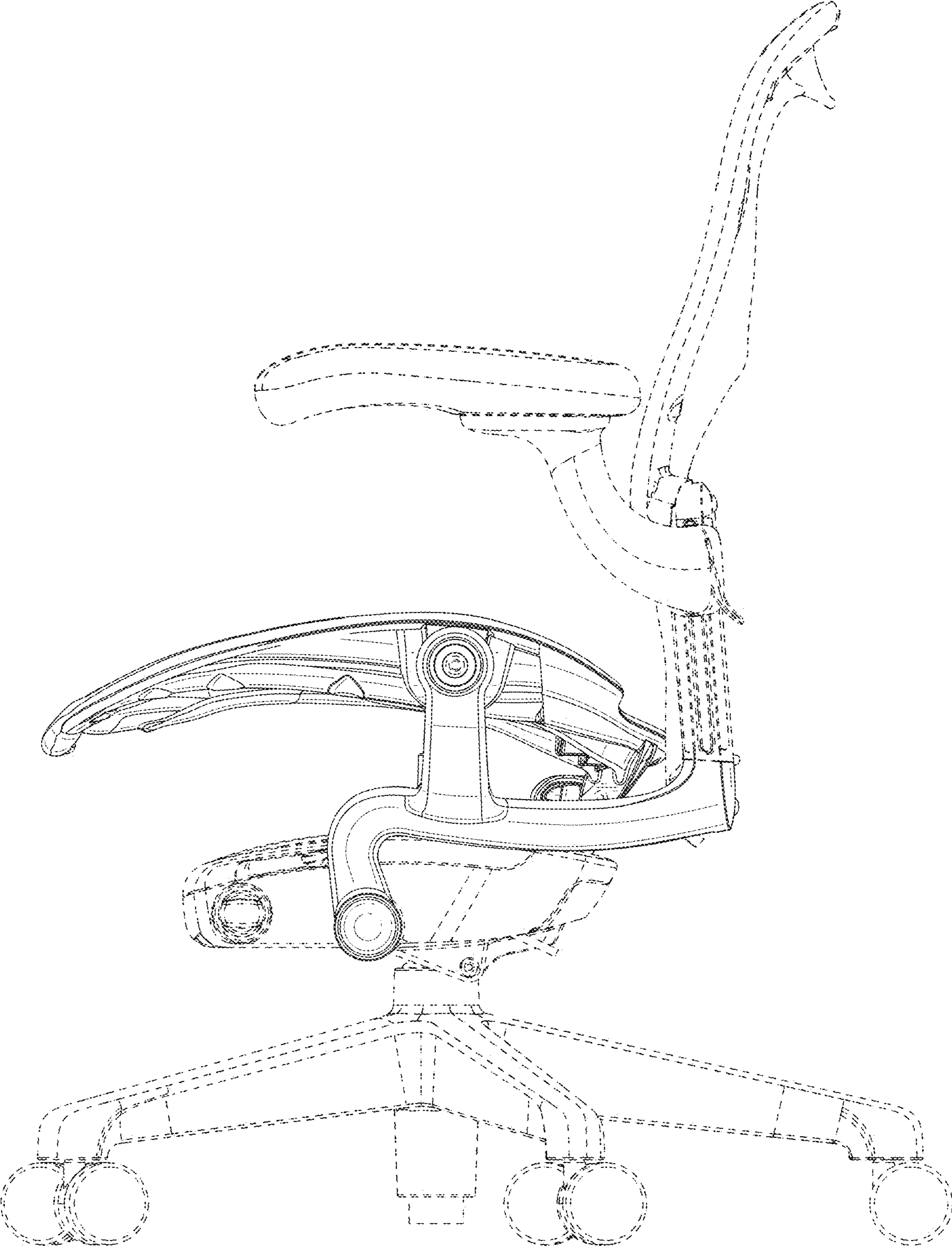


FIG. 5

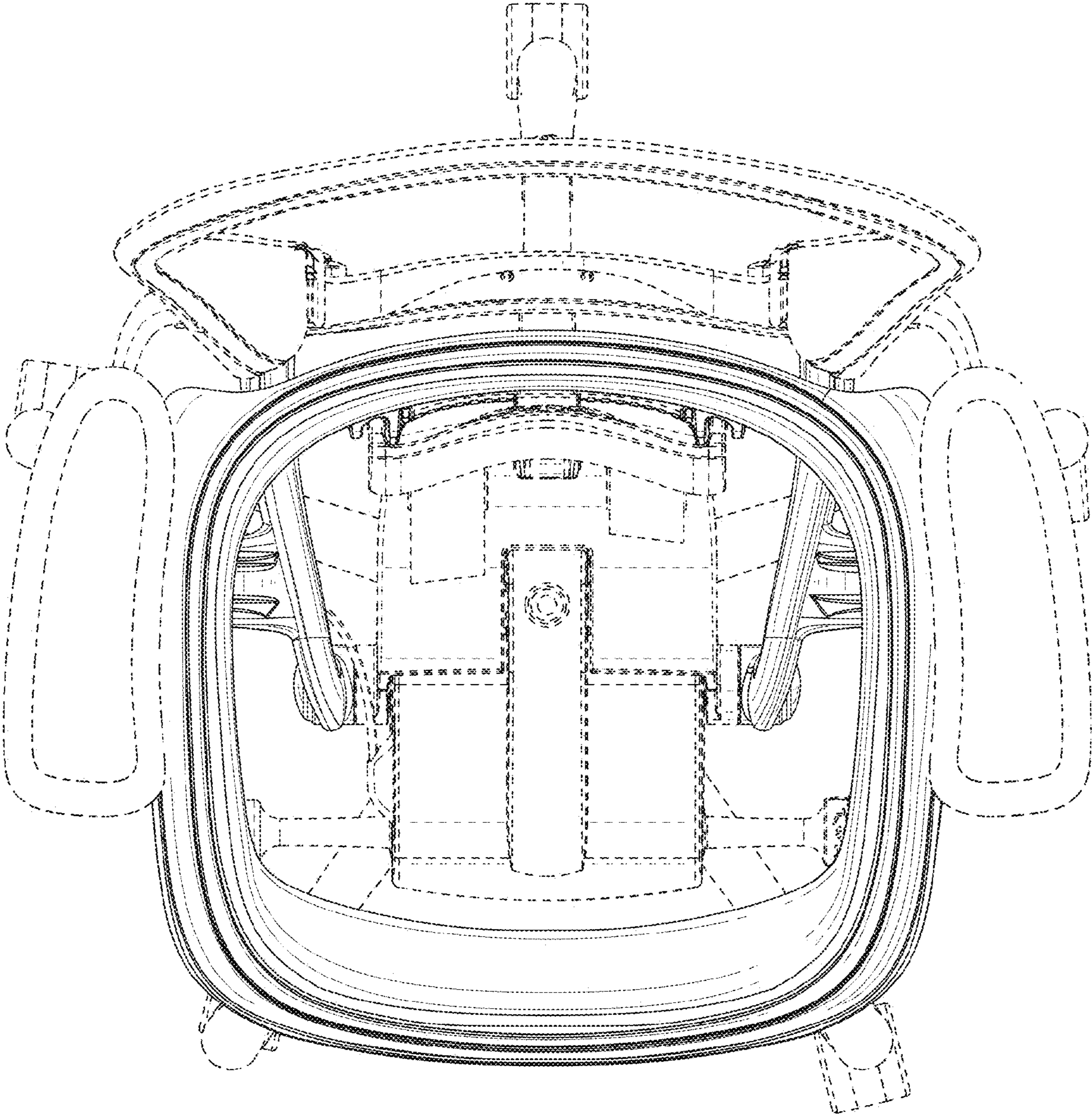


FIG. 6