



US00D882316S

(12) **United States Design Patent**  
**Schwarzmann et al.**

(10) **Patent No.:** **US D882,316 S**

(45) **Date of Patent:** **\*\* Apr. 28, 2020**

(54) **DRAWER PART**

(71) Applicant: **Julius Blum GmbH**, Hoechst (AT)

(72) Inventors: **Guenter Schwarzmann**, Dornbirn (AT); **Markus Irgang**, Altach (AT); **Cindy Kern**, Lustenau (AT)

(73) Assignee: **Julius Blum GmbH**, Hoechst (AT)

(\*\*) Term: **15 Years**

(21) Appl. No.: **29/654,184**

(22) Filed: **Jun. 21, 2018**

(30) **Foreign Application Priority Data**

Feb. 22, 2017 (EM) ..... 4562304-0022

(51) **LOC (12) Cl.** ..... **06-06**

(52) **U.S. Cl.**  
USPC ..... **D6/705**

(58) **Field of Classification Search**  
USPC ..... D6/703, 703.2, 703.3, 705, 705.2, 705.4, D6/705.5, 705.7, 707.19, 707.25, 706  
CPC ..... A47B 88/00; A47B 88/40; A47B 88/402; A47B 88/407; A47B 88/413; A47B 88/417; A47B 88/433; A47B 88/90; A47B 88/906; A47B 88/944  
See application file for complete search history.

(56) **References Cited**

**U.S. PATENT DOCUMENTS**

5,538,339 A \* 7/1996 Rock ..... A47B 88/00  
312/348.1

D684,401 S \* 6/2013 Gasser ..... D6/705  
D686,428 S \* 7/2013 Gasser ..... D6/705.2  
D688,905 S \* 9/2013 Stravitz ..... D6/705  
D707,067 S \* 6/2014 Basarich ..... D6/705  
D724,876 S \* 3/2015 Gokhale ..... D6/705  
D784,745 S \* 4/2017 Nilsson ..... D6/705  
D861,403 S \* 10/2019 Hurford ..... D6/705  
D871,812 S \* 1/2020 Su ..... D6/705.4

\* cited by examiner

*Primary Examiner* — R. Johnson

(74) *Attorney, Agent, or Firm* — Wenderoth, Lind & Ponack, L.L.P.

(57) **CLAIM**

The ornamental design for a drawer part, as shown and described.

**DESCRIPTION**

FIG. 1 is a front perspective view of a drawer part;  
FIG. 2 is a front view thereof;  
FIG. 3 is a right side view thereof;  
FIG. 4 is a left side view thereof;  
FIG. 5 is a top view thereof;  
FIG. 6 is a bottom view thereof;  
FIG. 7 is a rear view thereof; and,  
FIG. 8 is a rear perspective view thereof.

**1 Claim, 8 Drawing Sheets**

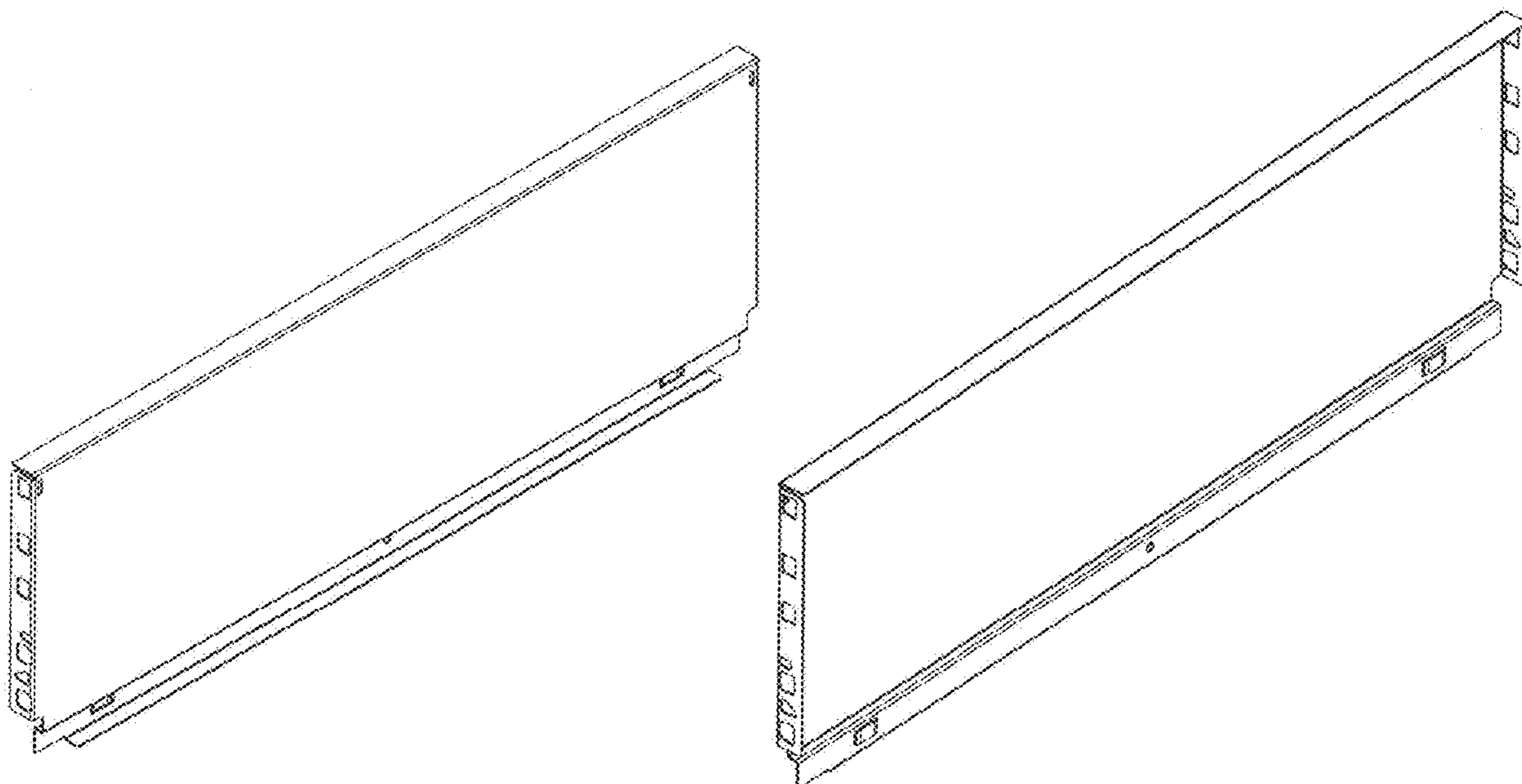


FIG. 1

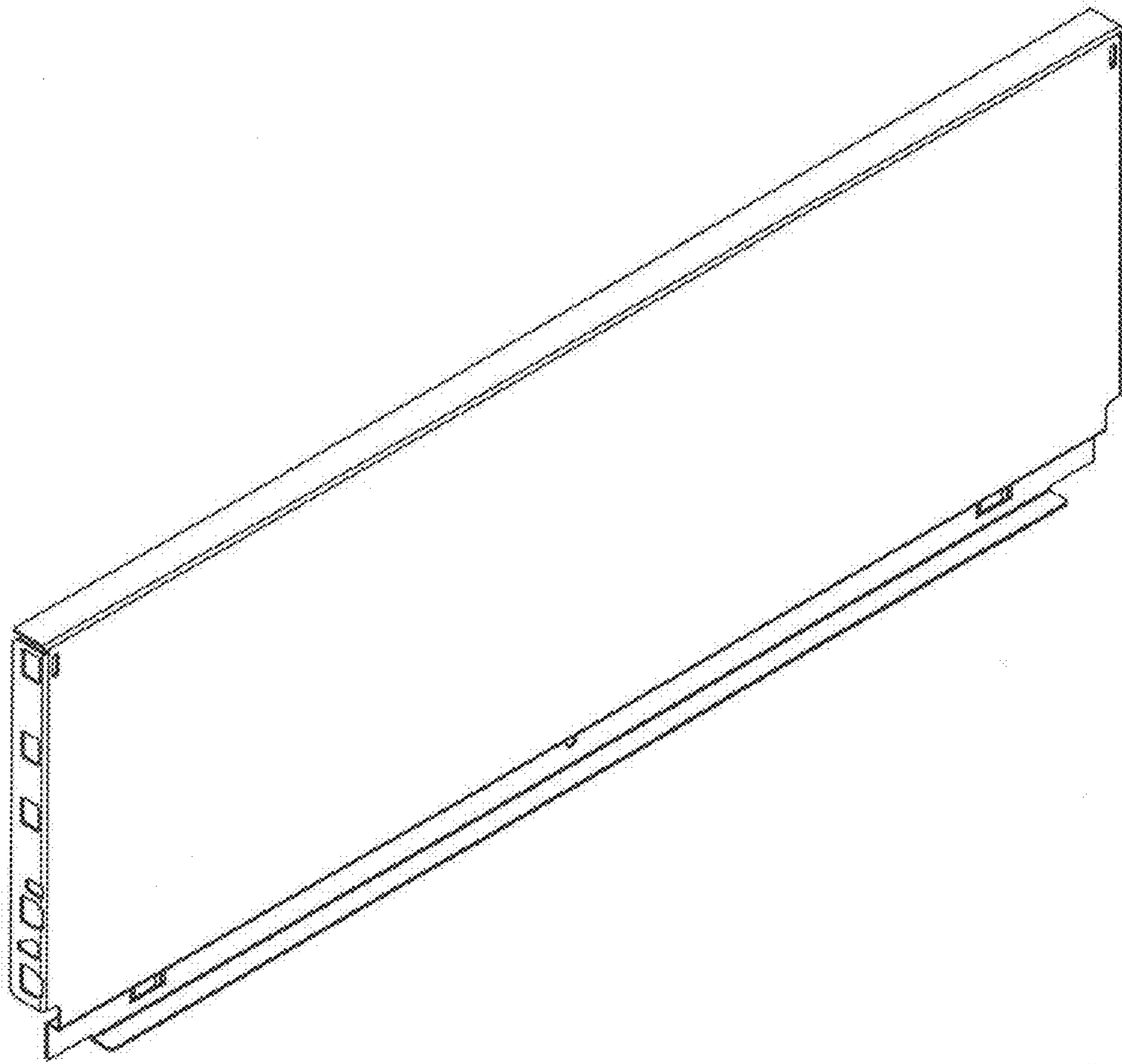


FIG. 2

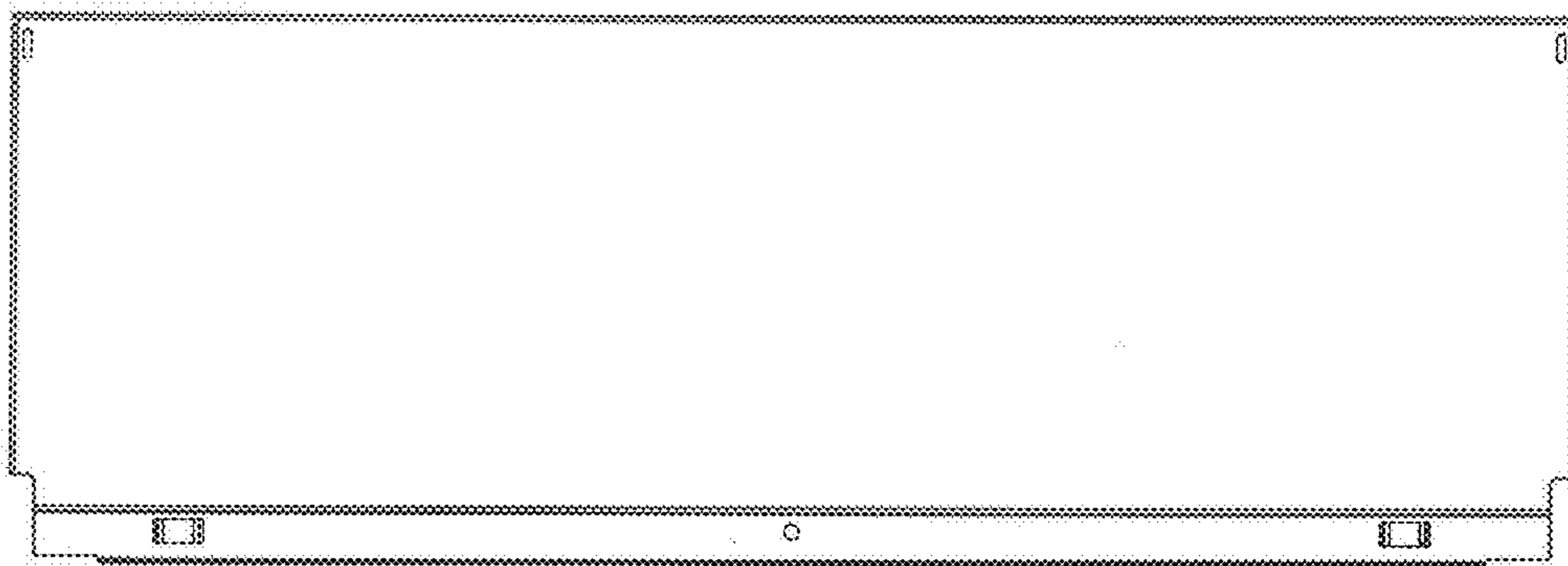


FIG. 3

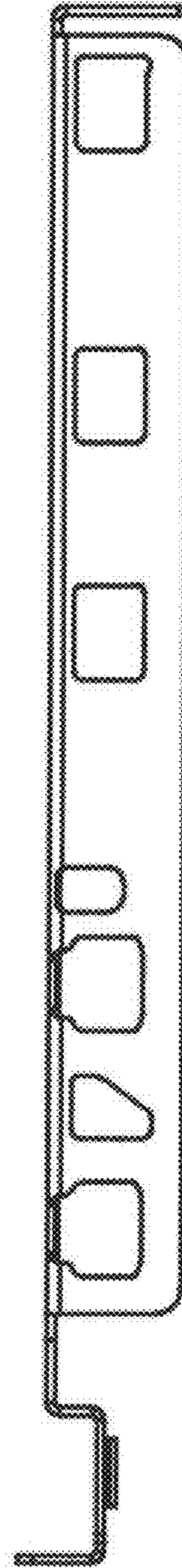


FIG. 4

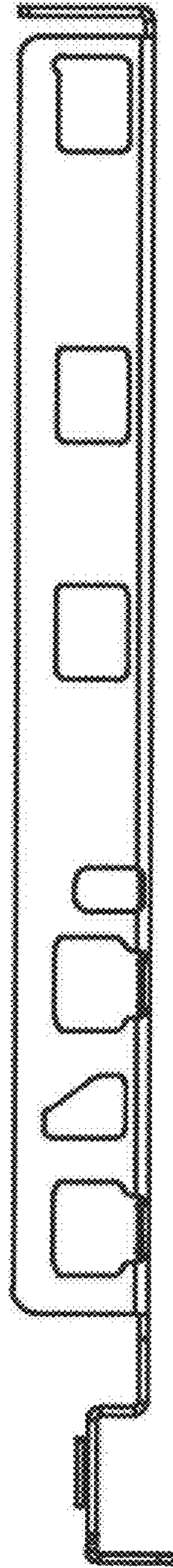


FIG. 5



FIG. 6

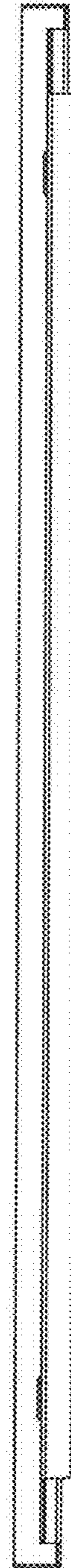


FIG. 7

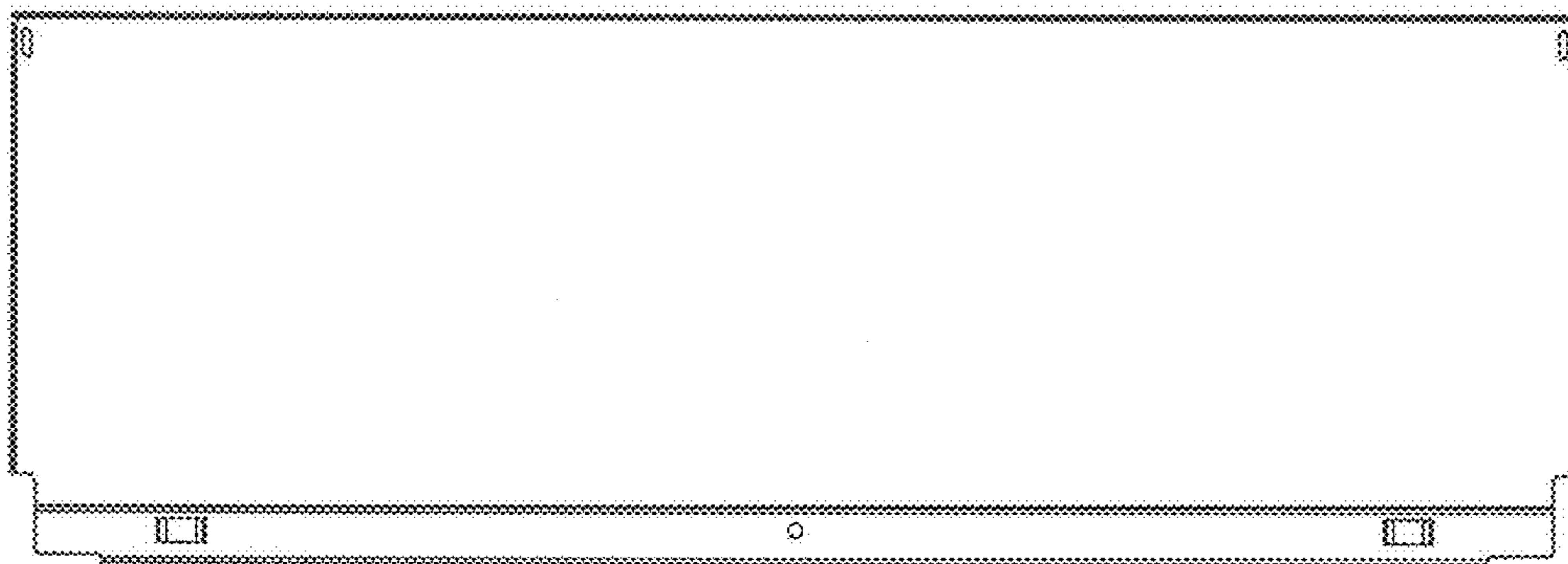
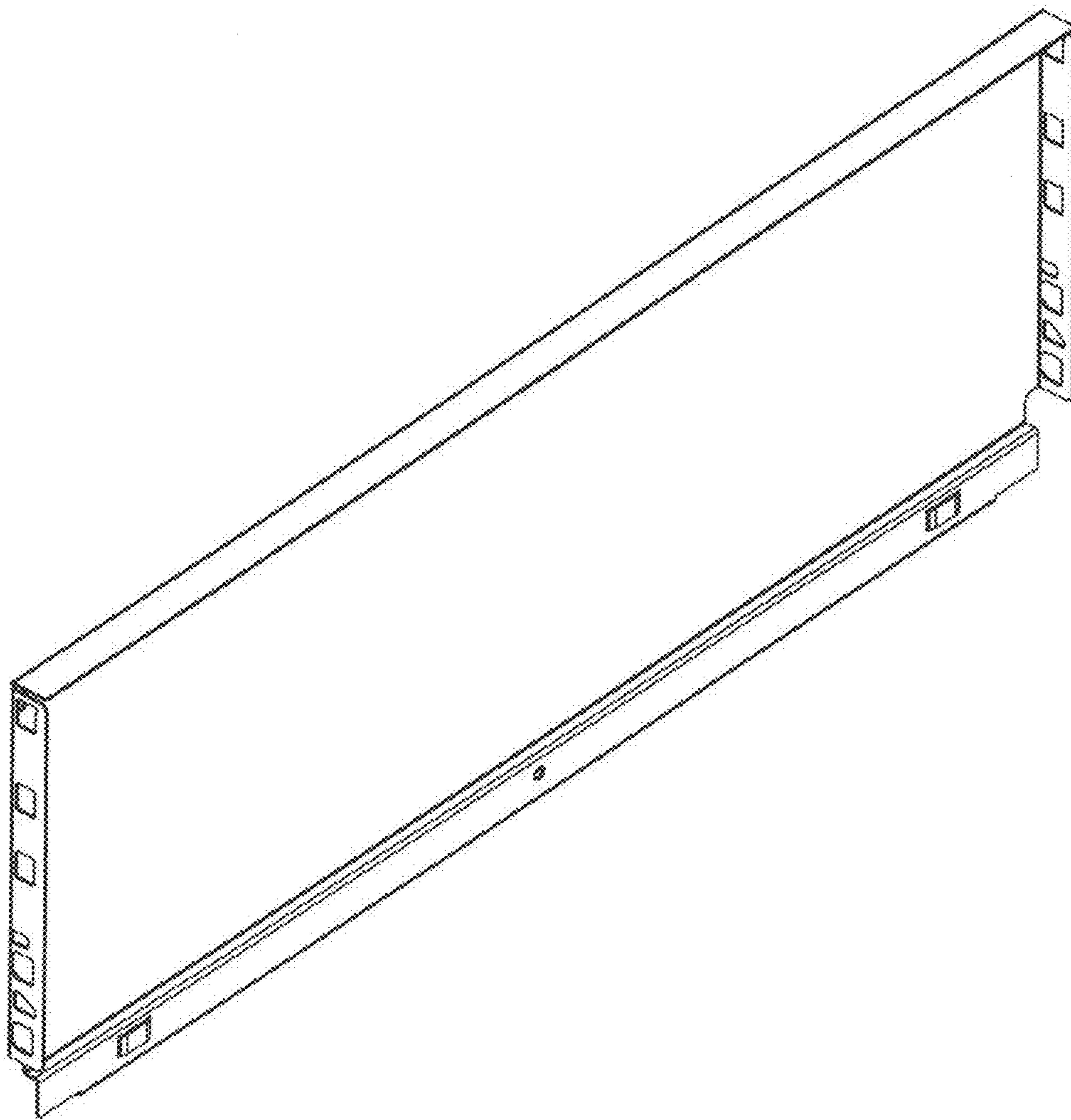




FIG. 8



UNITED STATES PATENT AND TRADEMARK OFFICE  
**CERTIFICATE OF CORRECTION**

PATENT NO. : D882,316 S  
APPLICATION NO. : 29/654184  
DATED : April 28, 2020  
INVENTOR(S) : Guenter Schwarzmann

Page 1 of 1

It is certified that error appears in the above-identified patent and that said Letters Patent is hereby corrected as shown below:

On the Title Page

(30) Foreign Application Priority Data should read:

December 22, 2017 (EM) 4562304-0022

Signed and Sealed this  
Twenty-third Day of March, 2021



Drew Hirshfeld  
*Performing the Functions and Duties of the  
Under Secretary of Commerce for Intellectual Property and  
Director of the United States Patent and Trademark Office*