



US00D882313S

(12) **United States Design Patent** (10) **Patent No.:** **US D882,313 S**
Page (45) **Date of Patent:** **** Apr. 28, 2020**

(54) **SNACK TABLE** 3,224,389 A * 12/1965 Kent A47C 4/14
108/119

(71) Applicant: **Jifunza Page**, Charlotte, NC (US) D394,361 S 5/1998 Adams et al.
D447,648 S 9/2001 Roudebush et al.

(72) Inventor: **Jifunza Page**, Charlotte, NC (US) 6,536,359 B2 3/2003 Liu
6,794,351 B2* 9/2004 Shick C11D 3/18
428/198

(**) Term: **15 Years** 7,059,254 B2 6/2006 Strong et al.
D546,096 S * 7/2007 Kreiss D6/691
D563,122 S * 3/2008 Kreiss D6/691
D860,695 S * 9/2019 Kershner D6/686

(21) Appl. No.: **29/667,224** 2007/0221104 A1 9/2007 Tseng
2017/0188697 A1* 7/2017 Lin A47B 3/02

(22) Filed: **Oct. 19, 2018**

(51) **LOC (12) Cl.** **06-03**

(52) **U.S. Cl.**
USPC **D6/691; D6/686**

(58) **Field of Classification Search**
USPC D6/349, 685, 686, 691, 691.1-691.9
CPC .. A47B 3/00; A47B 3/002; A47B 3/02; A47B
3/08; A47B 3/0812; A47B 3/0818; A47B
3/083; A47B 3/0912; A47B 2003/006;
A47B 2003/008; A47B 2003/025; A47B
2003/0821; A47B 7/00; A47B 13/00;
A47B 13/02; A47B 13/04; A47B 13/06;
A47B 13/08; A47B 21/00; A47B
2200/001; A47B 2200/0011; A47B
2200/002; A47B 2200/0035; A47B
2200/005
See application file for complete search history.

OTHER PUBLICATIONS

Stainless steel tray table—Nadeau MiamiNadeau Miami <https://www.furniturewithasoul.com/miami/product/stainless-steel-tray-table/> retrieved from the internet on Dec. 5, 2019.*

* cited by examiner

Primary Examiner — Mary Ann Calabrese
(74) *Attorney, Agent, or Firm* — Dunlap Bennett & Ludwig PLLC

(57) **CLAIM**

The ornamental design for a snack table, as shown and described.

DESCRIPTION

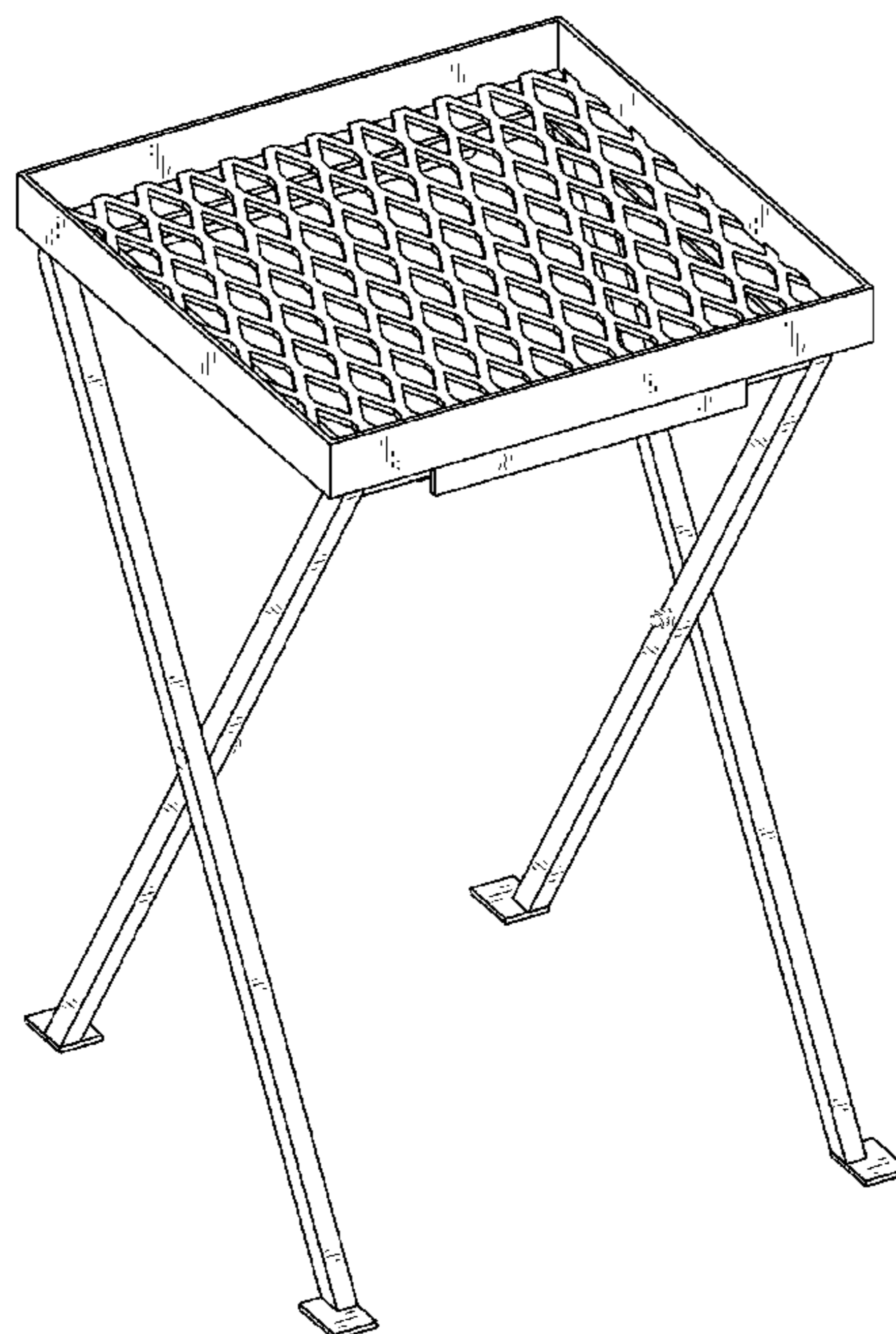
FIG. 1 is a front perspective view of a snack table;
FIG. 2 is a front elevation view thereof;
FIG. 3 is a rear elevation view thereof;
FIG. 4 is a left side elevation view thereof, the right side view being a mirror image thereof;
FIG. 5 is a top plan view thereof; and,
FIG. 6 is a bottom plan view thereof.

1 Claim, 4 Drawing Sheets

(56) **References Cited**

U.S. PATENT DOCUMENTS

D73,550 S 10/1927 Bach
1,697,094 A 1/1929 Turk
D145,542 S 9/1946 Sky
D162,045 S 2/1951 Lee
2,727,564 A 12/1955 Gruber et al.
3,062,603 A 11/1962 David et al.
3,083,066 A * 3/1963 Bedol A47B 3/02
108/119



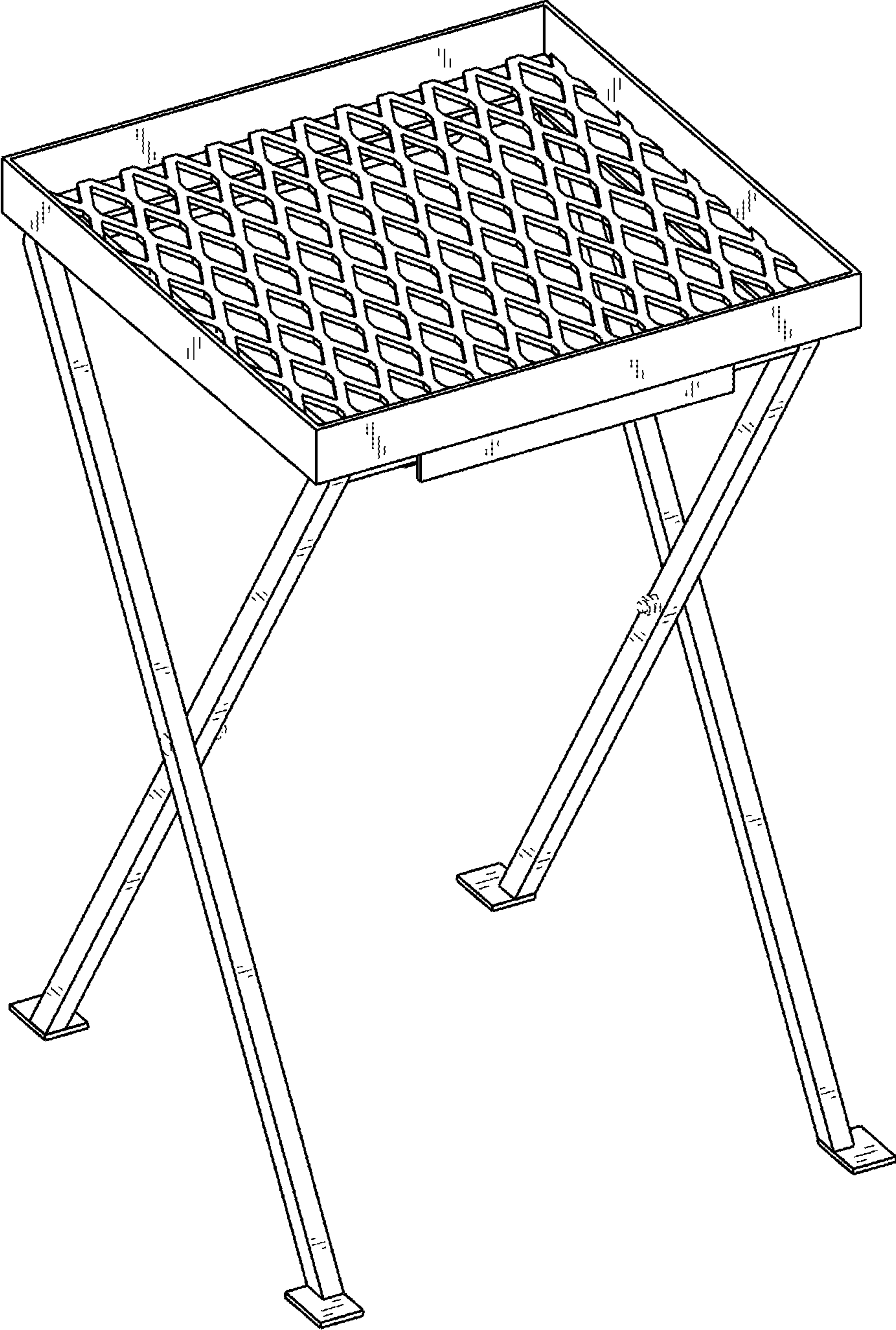


FIG. 1

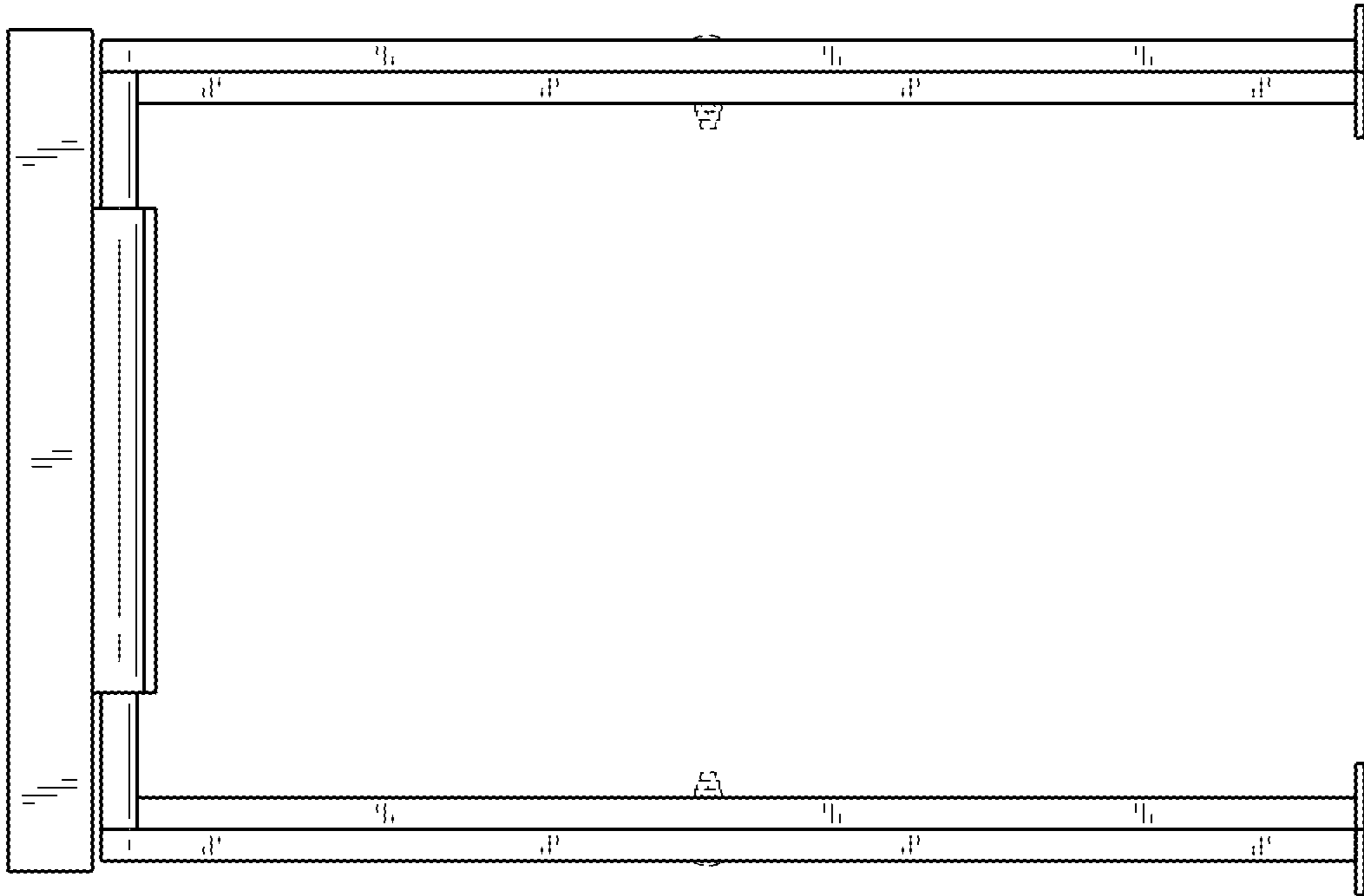


FIG. 3

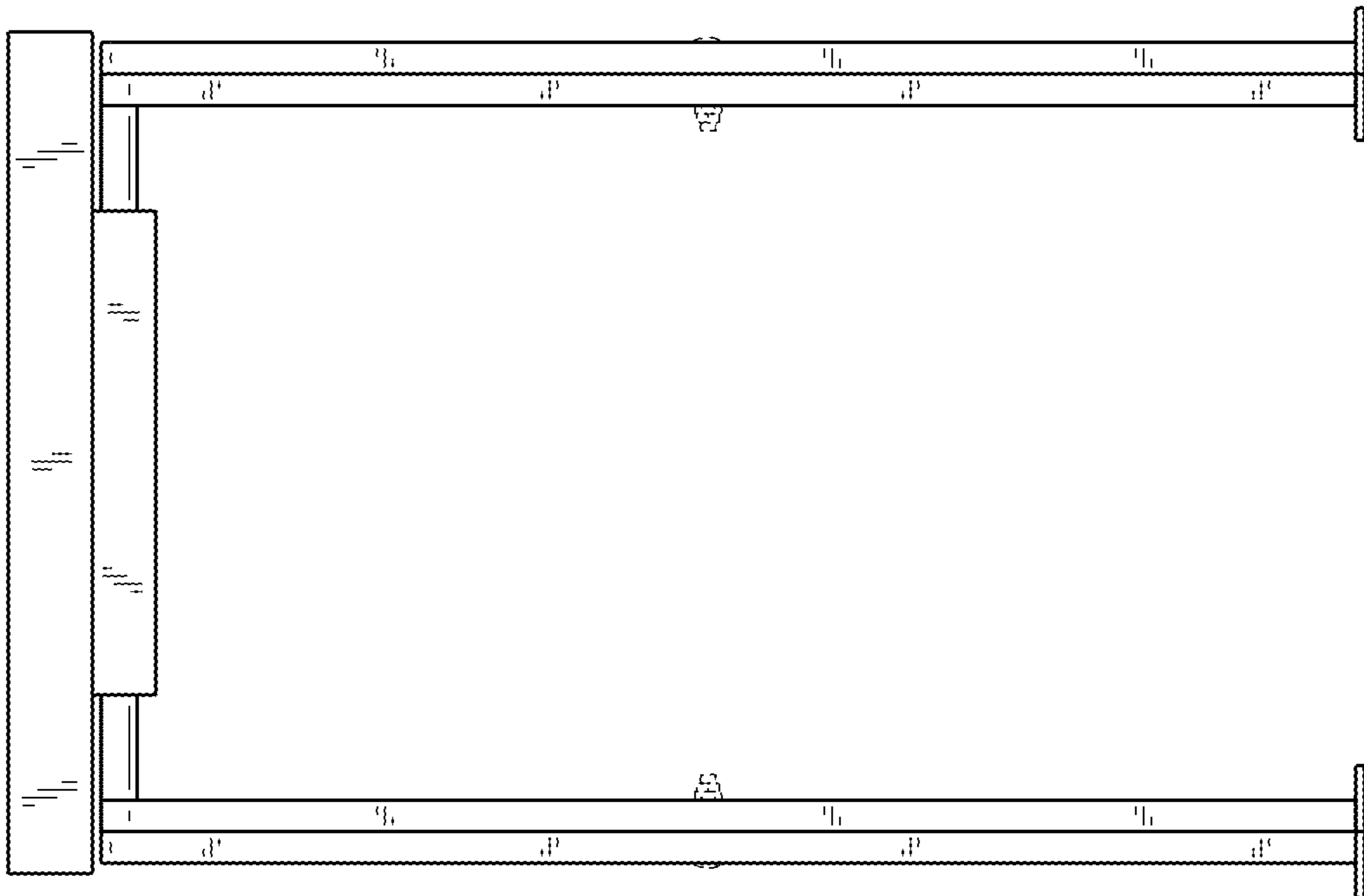


FIG. 2

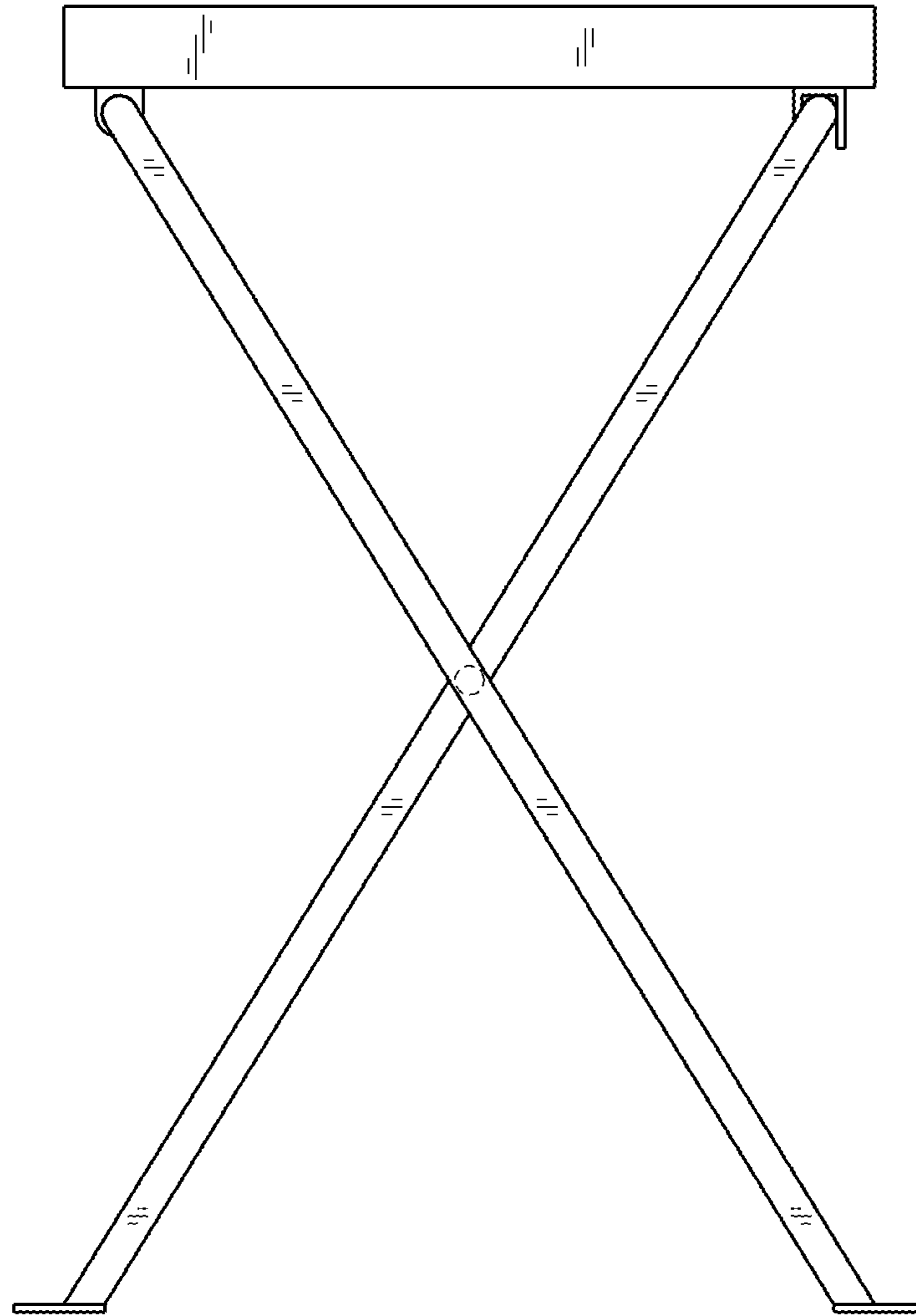


FIG. 4

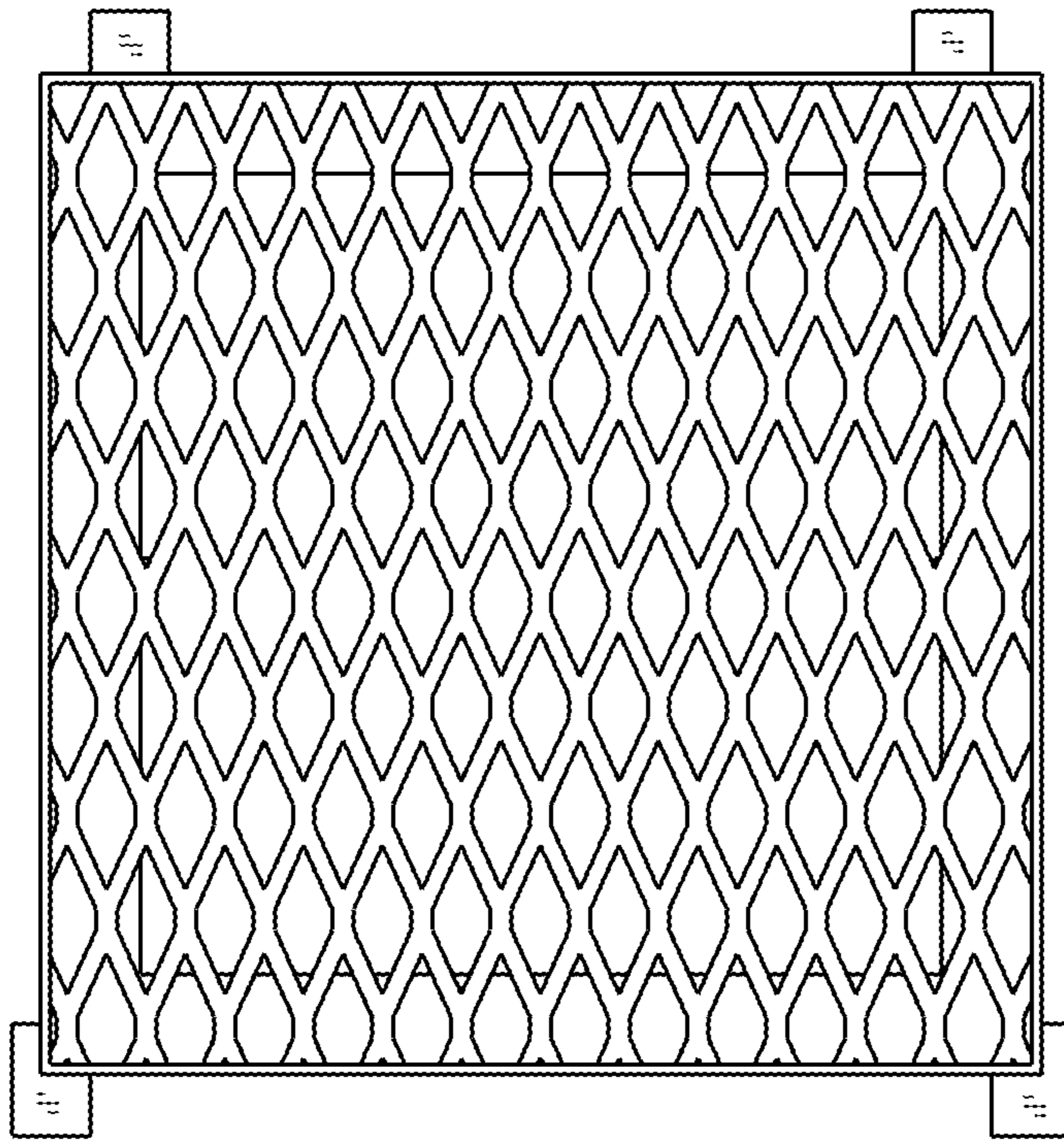


FIG. 5

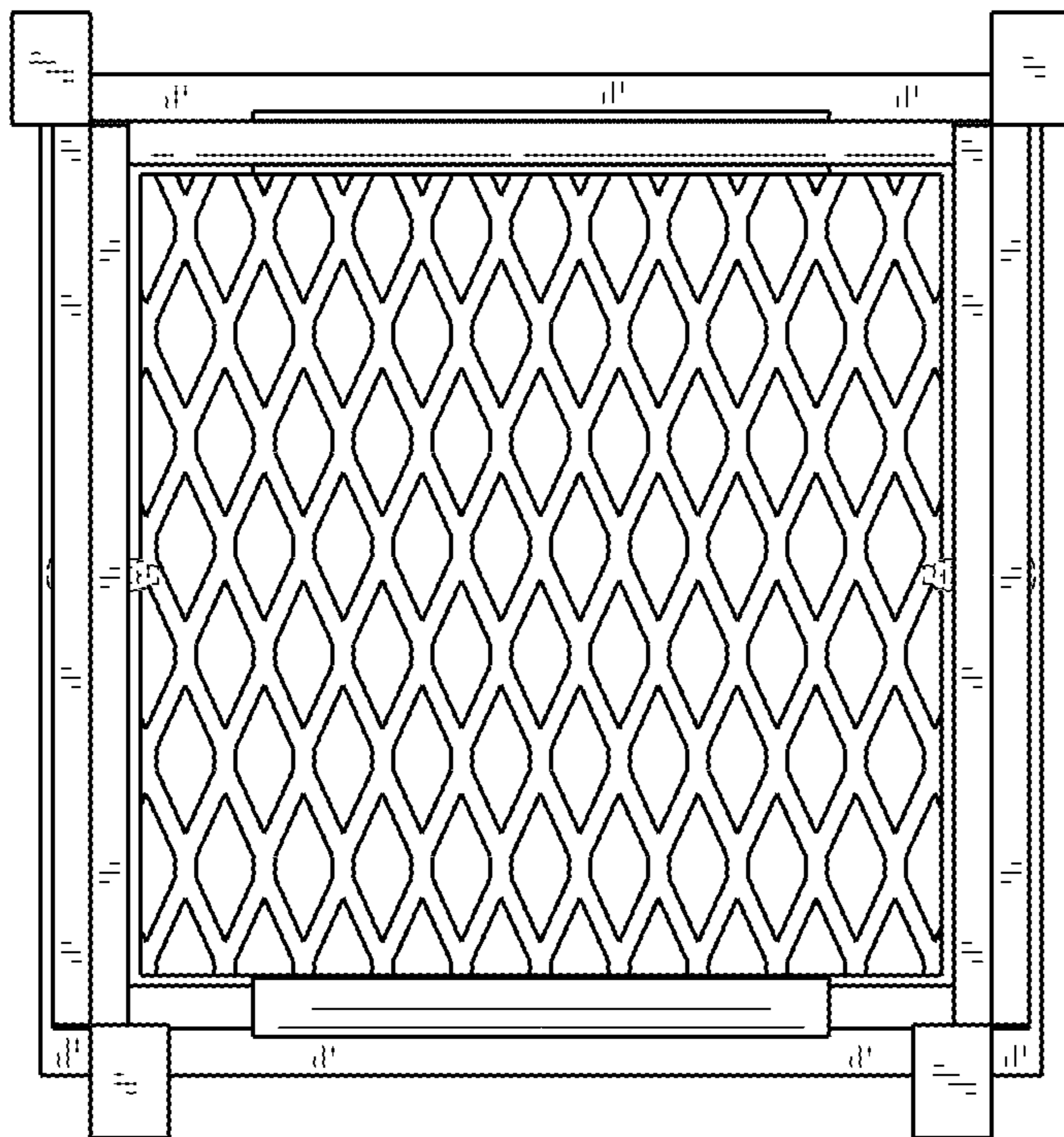


FIG. 6